



US00D851744S

(12) **United States Design Patent**
Huang et al.

(10) **Patent No.:** **US D851,744 S**

(45) **Date of Patent:** **** Jun. 18, 2019**

(54) **UNIT DOSE ARTICLE**

(71) Applicant: **The Procter & Gamble Company,**
Cincinnati, OH (US)

(72) Inventors: **Sun-Jan Alan Huang,** Cincinnati, OH (US); **Mark Robert Sivik,** Mason, OH (US); **Frank William Denome,** Hamilton, OH (US); **Christopher Lee Haun,** Amelia, OH (US)

(73) Assignee: **The Procter & Gamble Company,**
Cincinnati, OH (US)

(**) Term: **15 Years**

(21) Appl. No.: **29/626,120**

(22) Filed: **Nov. 15, 2017**

(51) **LOC (11) Cl.** **24-02**

(52) **U.S. Cl.**
USPC **D24/101**

(58) **Field of Classification Search**
USPC D24/100-105; D1/114, 127
CPC A61K 9/20; A61K 9/209; A61K 9/5078;
A61K 9/4891; A61K 9/167; A61K
9/2072; A61K 9/2077; A61K 9/2081;
A61K 9/2086; A61K 8/11
See application file for complete search history.

(56) **References Cited**

U.S. PATENT DOCUMENTS

D269,128 S * 5/1983 Hiscock 425/15
D283,739 S * 5/1986 Tovey D24/103

D312,322 S * 11/1990 Calandrillo D24/103
D323,388 S * 1/1992 Becker D24/103
D346,442 S * 4/1994 Kramer D24/101
D383,533 S * 9/1997 Jushchyshyn D24/103
D439,654 S * 3/2001 Hite D24/101
D440,650 S * 4/2001 Hite D24/103

* cited by examiner

Primary Examiner — Charles D Hanson

(74) *Attorney, Agent, or Firm* — Gary J. Foose

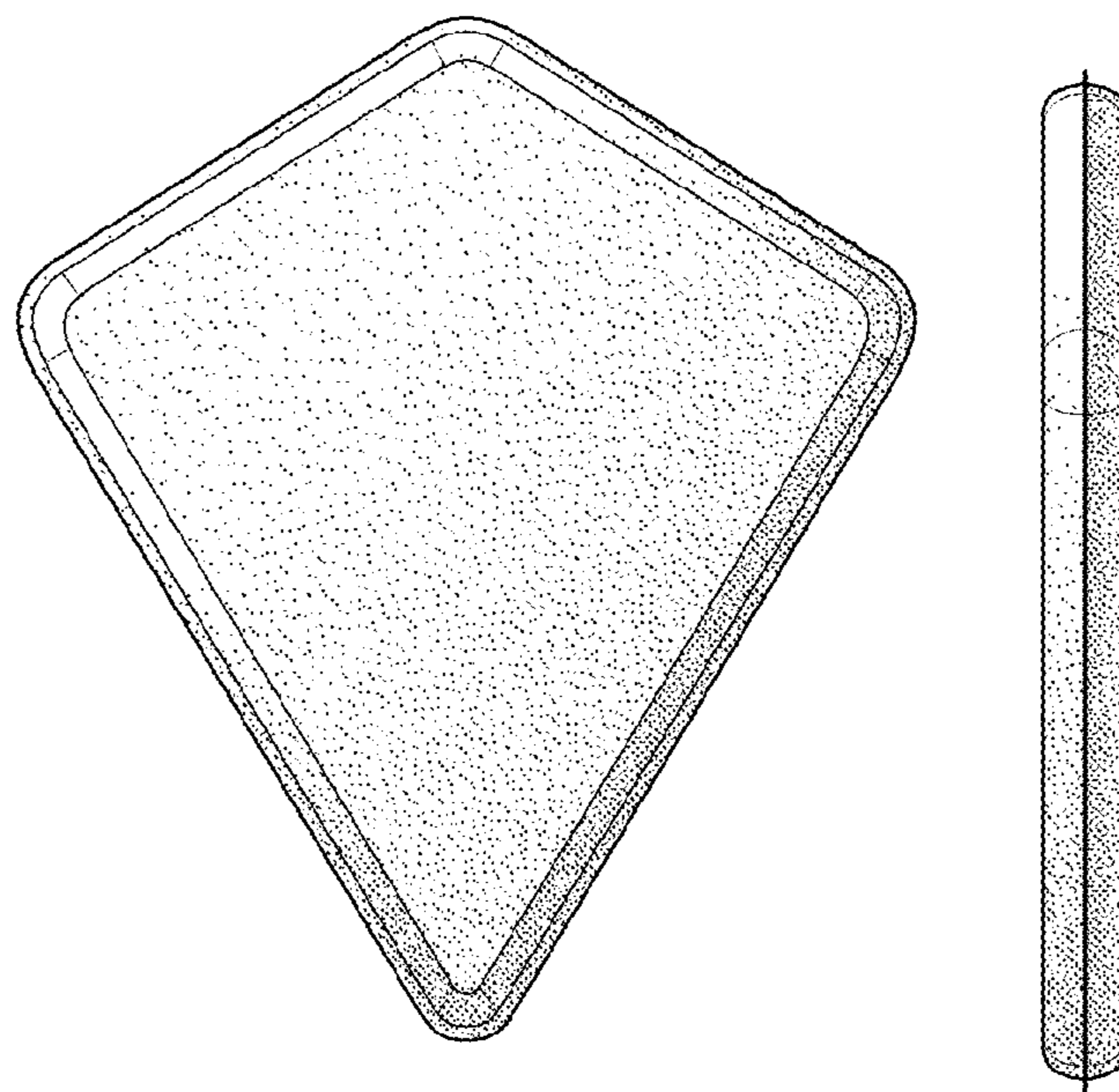
(57) **CLAIM**

The ornamental design for a unit dose article, as shown and described.

DESCRIPTION

FIG. 1 is a front perspective view of an embodiment of a unit dose article embodying our new design; FIG. 2 is a front view of the unit dose article; FIG. 3 is a left view of the unit dose article; FIG. 4 is a back view of the unit dose article; FIG. 5 is a right view of the unit dose article; FIG. 6 is a top view of the unit dose article; and, FIG. 7 is a bottom view of the unit dose article. Any broken lines shown in the drawings are for illustrative purposes only and form no part of the claimed design. Certain features currently not in broken lines may be placed into broken lines in other embodiments while other features in broken lines may be placed in solid lines in other embodiments.

1 Claim, 1 Drawing Sheet



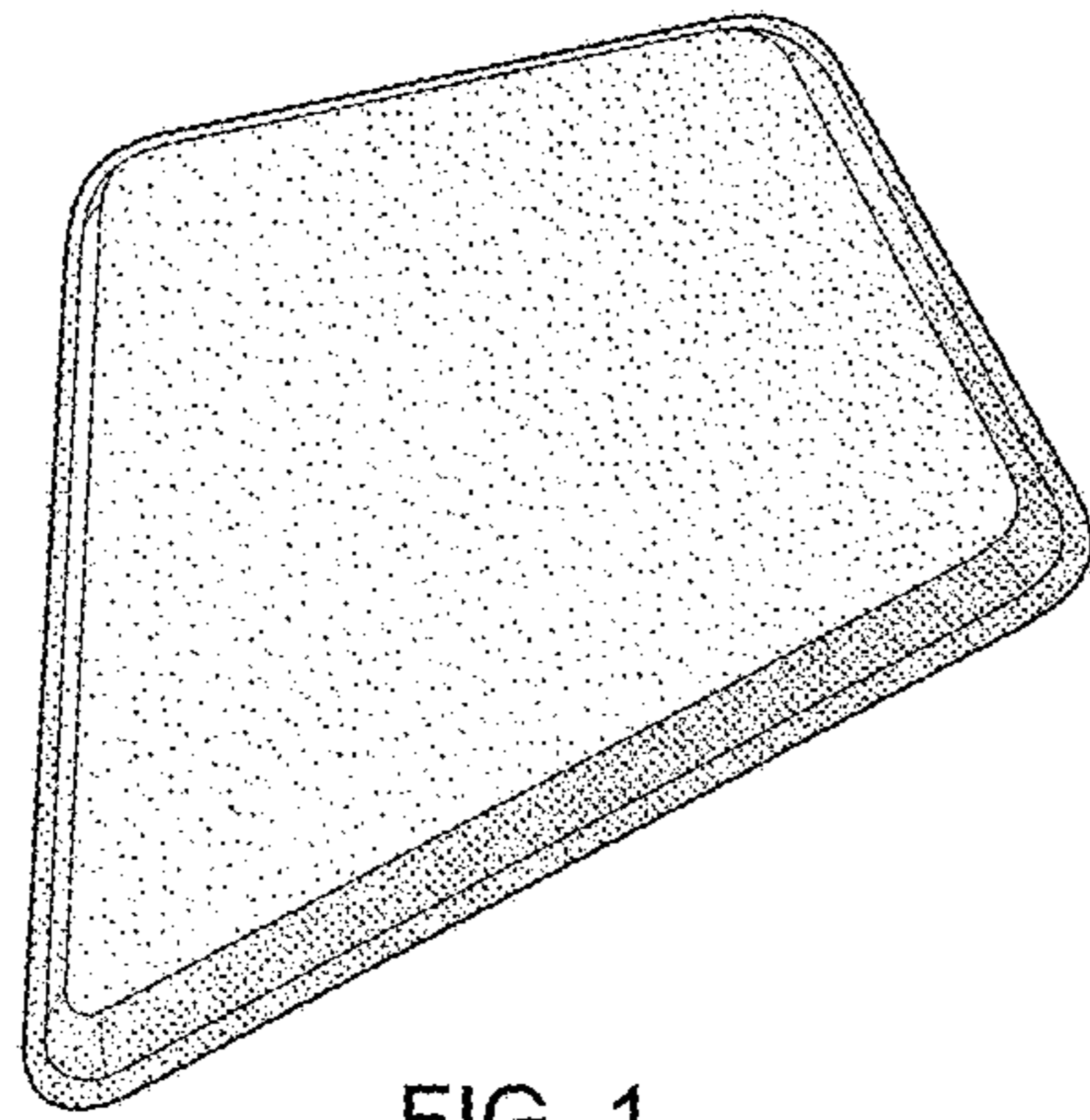


FIG. 1

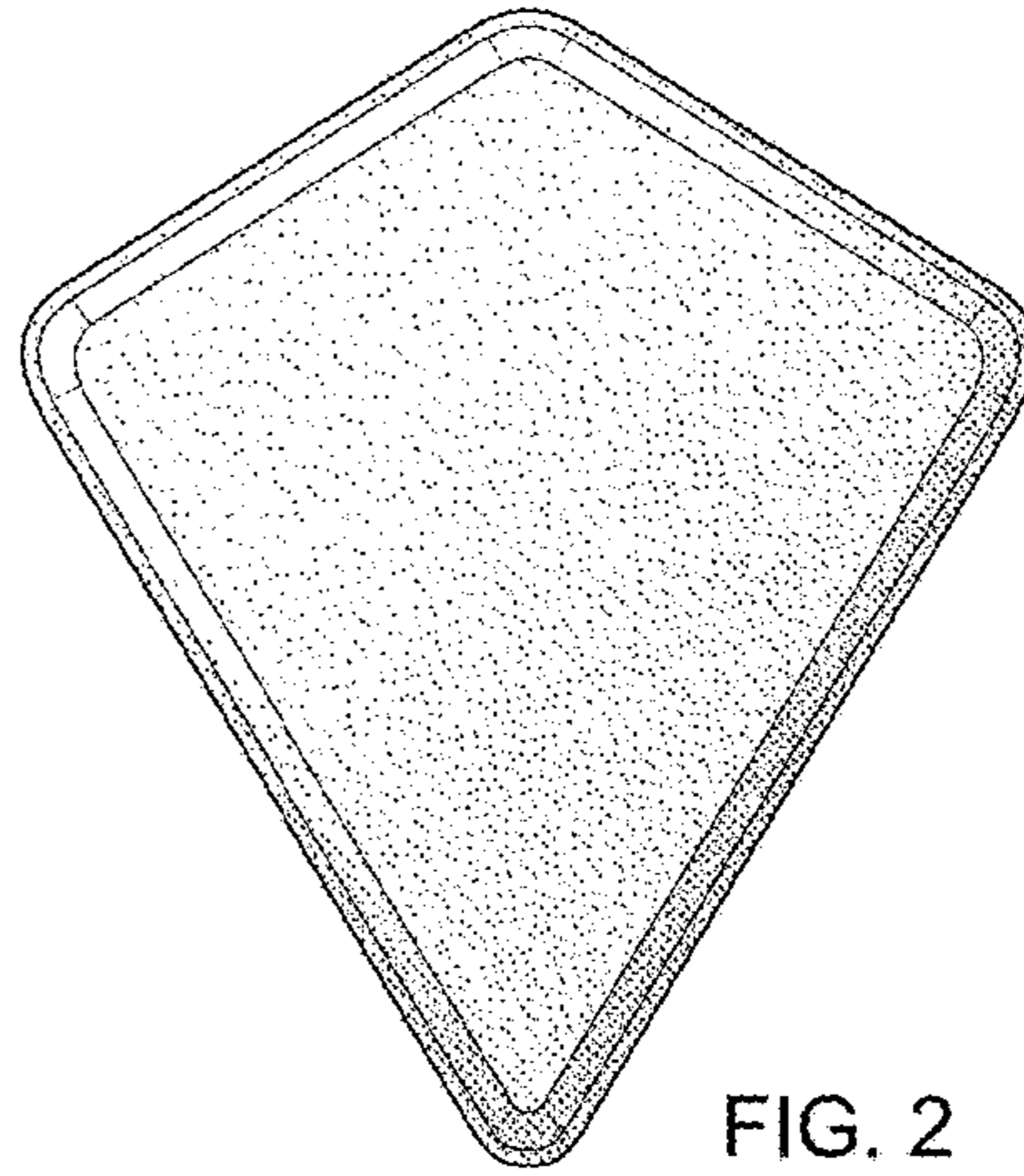


FIG. 2



FIG. 3

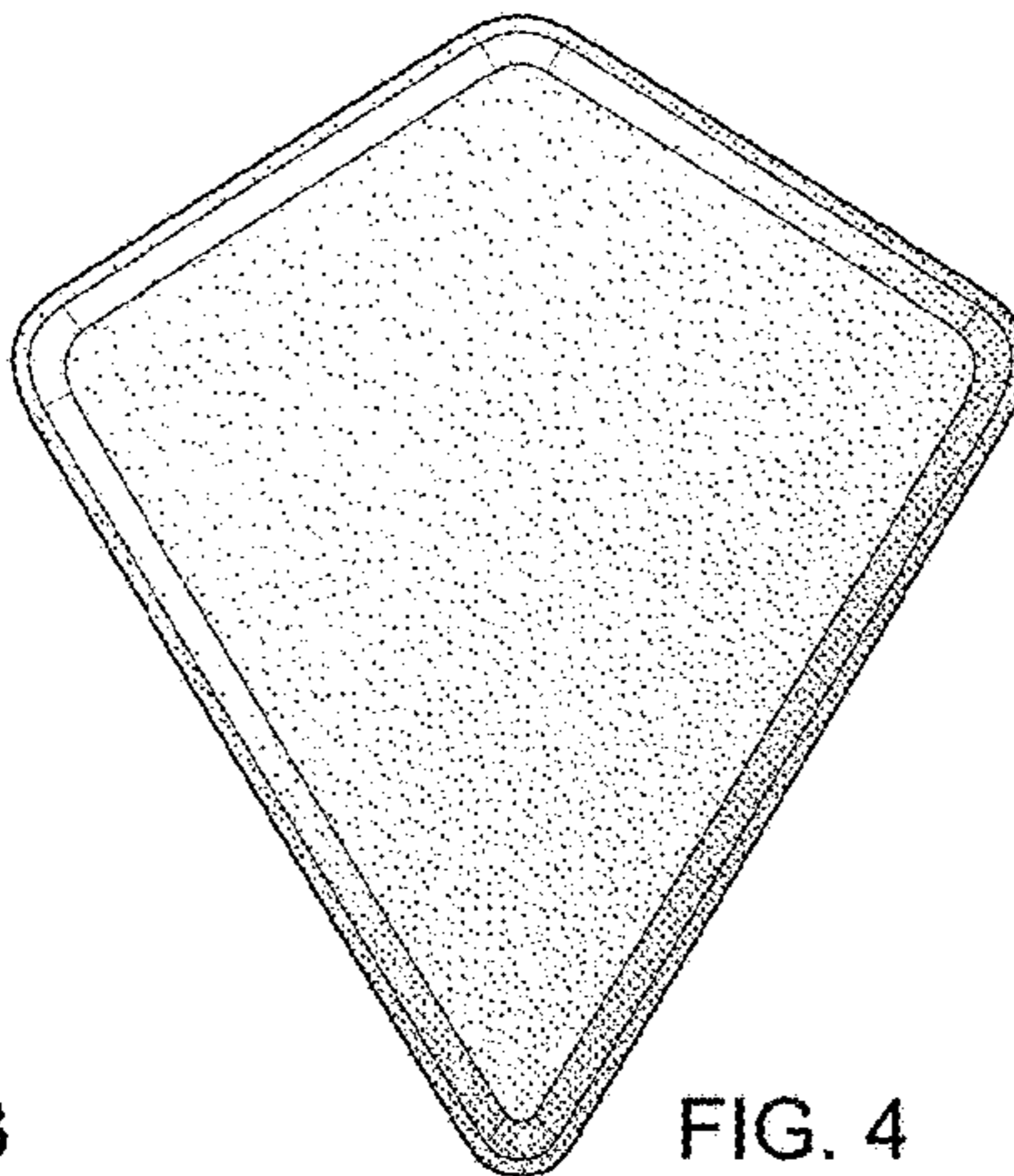


FIG. 4



FIG. 5



FIG. 6



FIG. 7