



US00D851743S

(12) **United States Design Patent** (10) **Patent No.:** **US D851,743 S**  
**Ward et al.** (45) **Date of Patent:** **\*\* Jun. 18, 2019**

- (54) **BURNER BUMP OUT**
- (71) Applicant: **Systems Spray-Cooled, Inc**, Smyrna, TN (US)
- (72) Inventors: **Troy D. Ward**, Franklin, TN (US);  
**Scott A. Ferguson**, Murfreesboro, TN (US)
- (73) Assignee: **Systems Spray-Cooled, Inc**, Smyrna, TN (US)
- (\*\*) Term: **15 Years**
- (21) Appl. No.: **29/630,112**
- (22) Filed: **Dec. 19, 2017**
- (51) **LOC (11) Cl.** ..... **23-03**
- (52) **U.S. Cl.**  
USPC ..... **D23/418**
- (58) **Field of Classification Search**  
USPC ..... D23/314, 322, 323, 329, 341, 347, 402,  
D23/403, 407, 409, 410, 415, 416, 417,  
D23/418; D13/182; D15/138  
CPC . F23D 14/78; F23C 5/02; F23M 5/025; F27B  
3/205; C21C 5/5217; F27D 99/0033  
See application file for complete search history.

(56) **References Cited**

**U.S. PATENT DOCUMENTS**

1,702,977	A *	2/1929	Mott, Jr. et al.	.....	F23M 5/00 126/144
D404,369	S *	1/1999	Kawachi	.....	D13/182
6,614,831	B2	9/2003	Shver		
D776,798	S *	1/2017	Winkler	.....	D23/332
D804,436	S *	12/2017	Tauchi	.....	D13/182
D826,300	S *	8/2018	Michla	.....	D15/144
2005/0175945	A1 *	8/2005	Chung	.....	F23C 6/047 431/116
2006/0207258	A1 *	9/2006	Tanner	.....	F23C 5/02 60/748

- 2007/0292811 A1\* 12/2007 Poe ..... F23D 14/08  
431/116
- 2009/0245319 A1 10/2009 Higgins
- 2013/0322485 A1 12/2013 Dorndorf et al.
- 2016/0018105 A1\* 1/2016 Martin ..... F23D 14/08  
431/8

(Continued)

*Primary Examiner* — T Chase Nelson

*Assistant Examiner* — Ania Aman

(74) *Attorney, Agent, or Firm* — Patterson + Sheridan, LLP

(57) **CLAIM**

The ornamental design for a burner bump-out, as shown and described.

**DESCRIPTION**

FIG. 1 is a first top perspective view of a burner bump out showing our new design.

FIG. 2 is second top perspective view thereof rotated 90 degrees from FIG. 1.

FIG. 3 is a first bottom perspective view thereof.

FIG. 4 is a second bottom perspective view thereof rotated 90 degrees from FIG. 3.

FIG. 5 is a top plan view thereof.

FIG. 6 is a bottom plan view thereof.

FIG. 7 is a first elevation view thereof.

FIG. 8 is a second elevation view thereof.

FIG. 9 is a third side elevation thereof, opposite the first side.

FIG. 10 is a fourth side elevation thereof, opposite the second side.

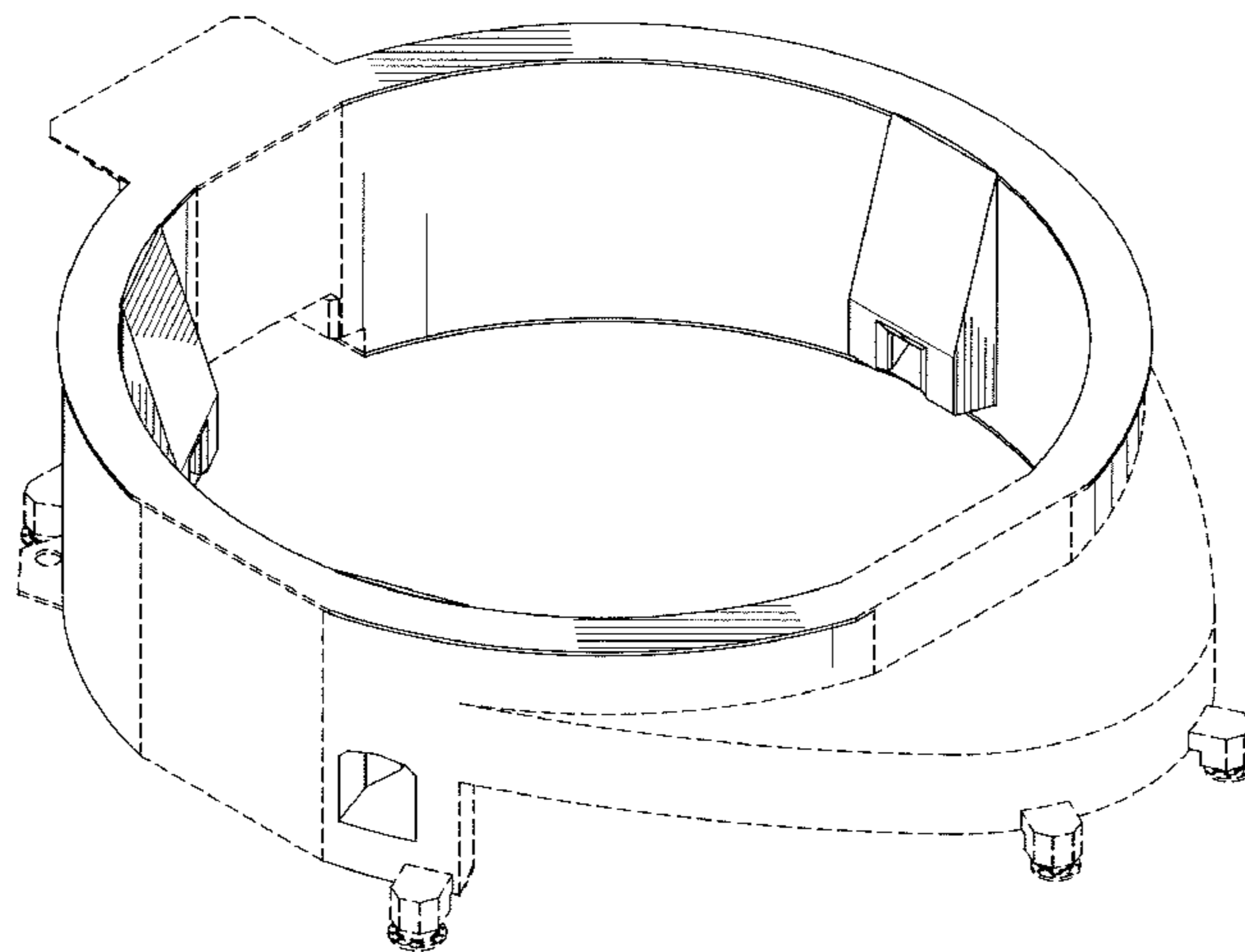
FIG. 11 is a cross-section view thereof taken through section line 11-11 as shown in FIG. 5; and,

FIG. 12 is a cross-section view thereof taken through section line 12-12 as shown in FIG. 5.

The broken lines in the figures depict the bounds of the claimed design and unclaimed subject matter, which forms no part of the claimed design.

All surfaces not shown form no part of the claimed design.

**1 Claim, 12 Drawing Sheets**



(56)

**References Cited**

U.S. PATENT DOCUMENTS

2016/0123664 A1\* 5/2016 Tomita ..... F27B 3/205  
75/10.34  
2017/0009981 A1\* 1/2017 Shaw ..... F23C 5/02  
2017/0059154 A1 3/2017 Luka et al.  
2017/0067640 A1\* 3/2017 Savary ..... F23R 3/002  
2018/0209641 A1\* 7/2018 Garossino ..... F23D 14/24

\* cited by examiner

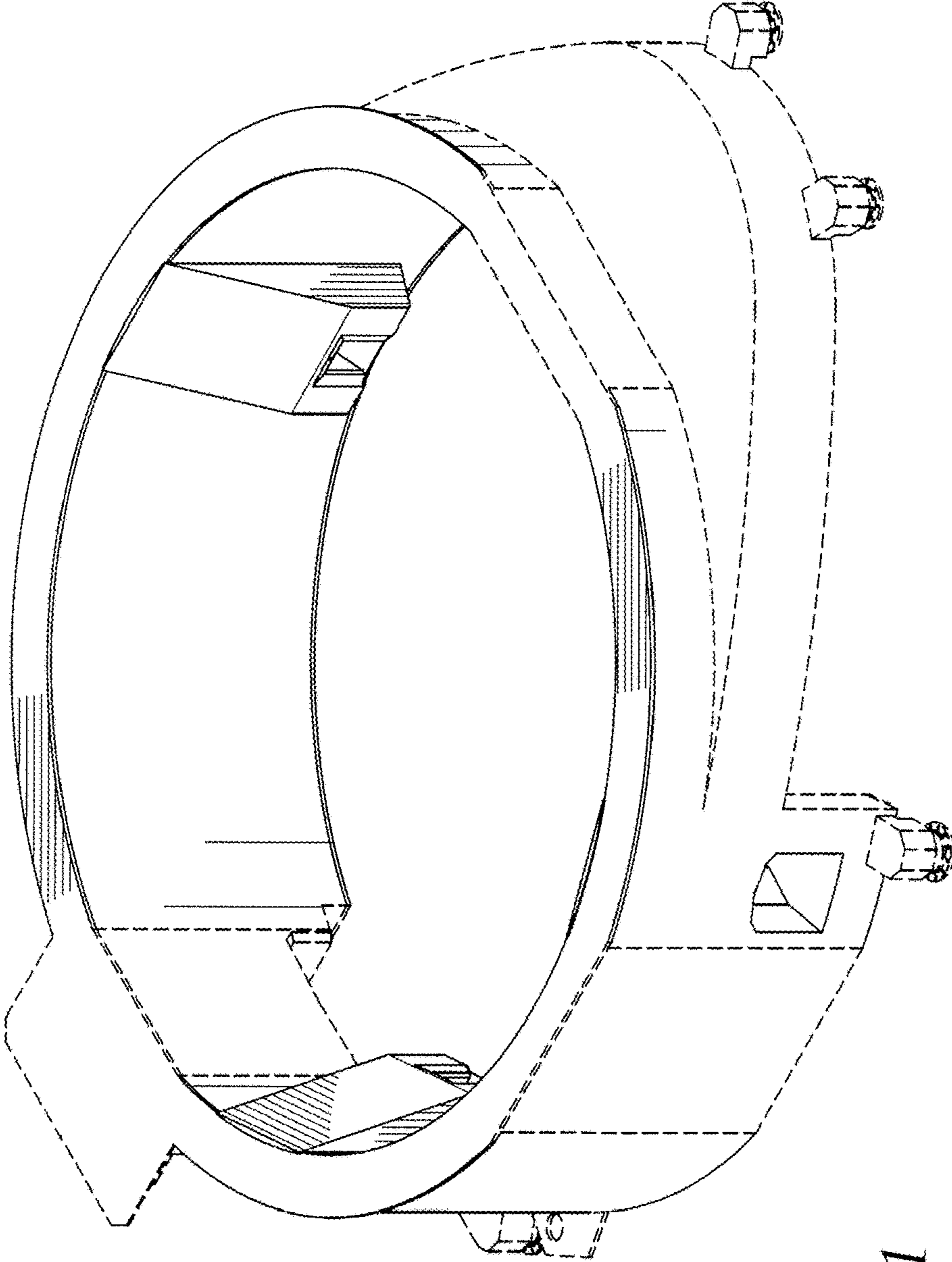


Fig. 1

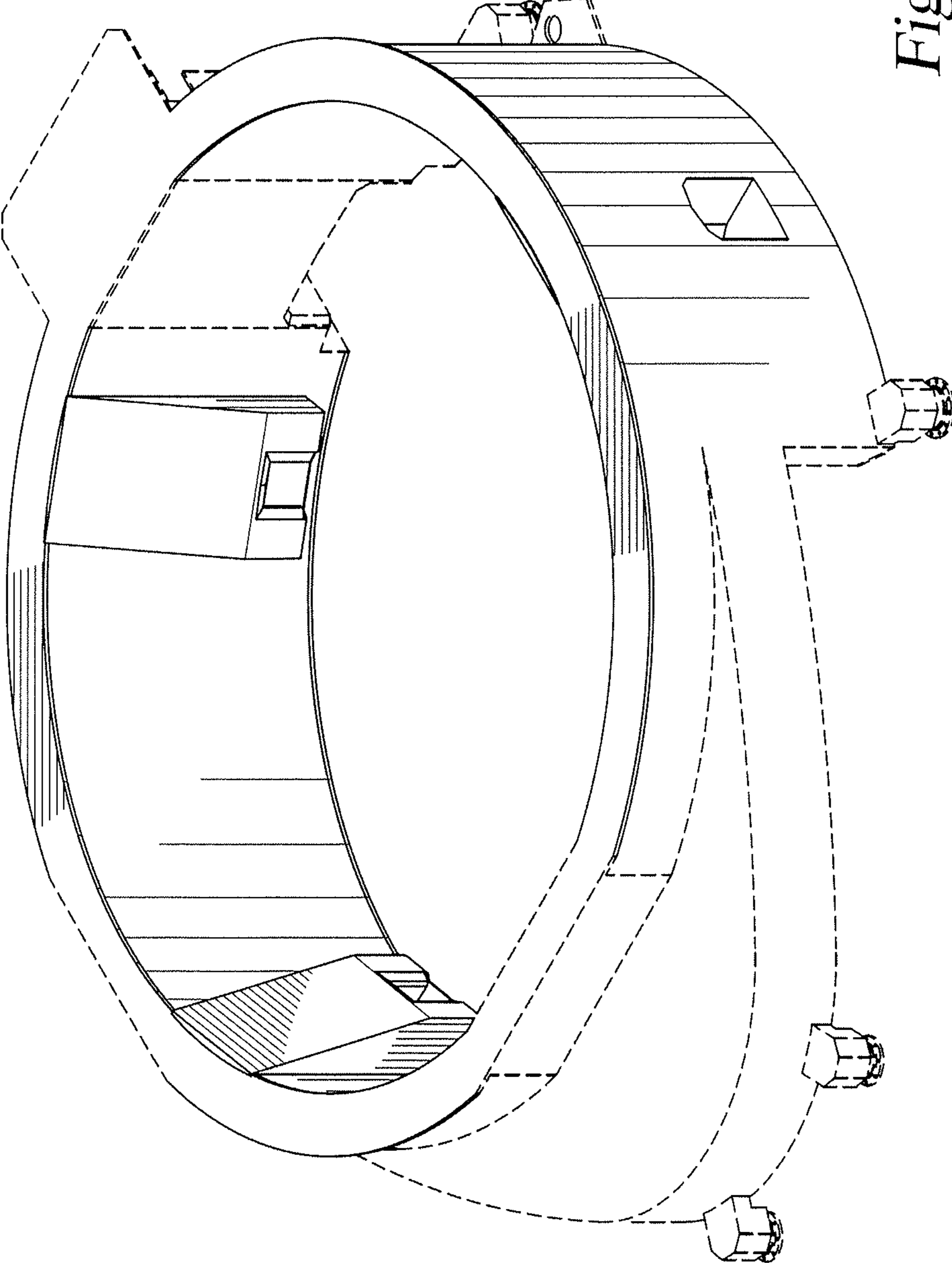


Fig. 2

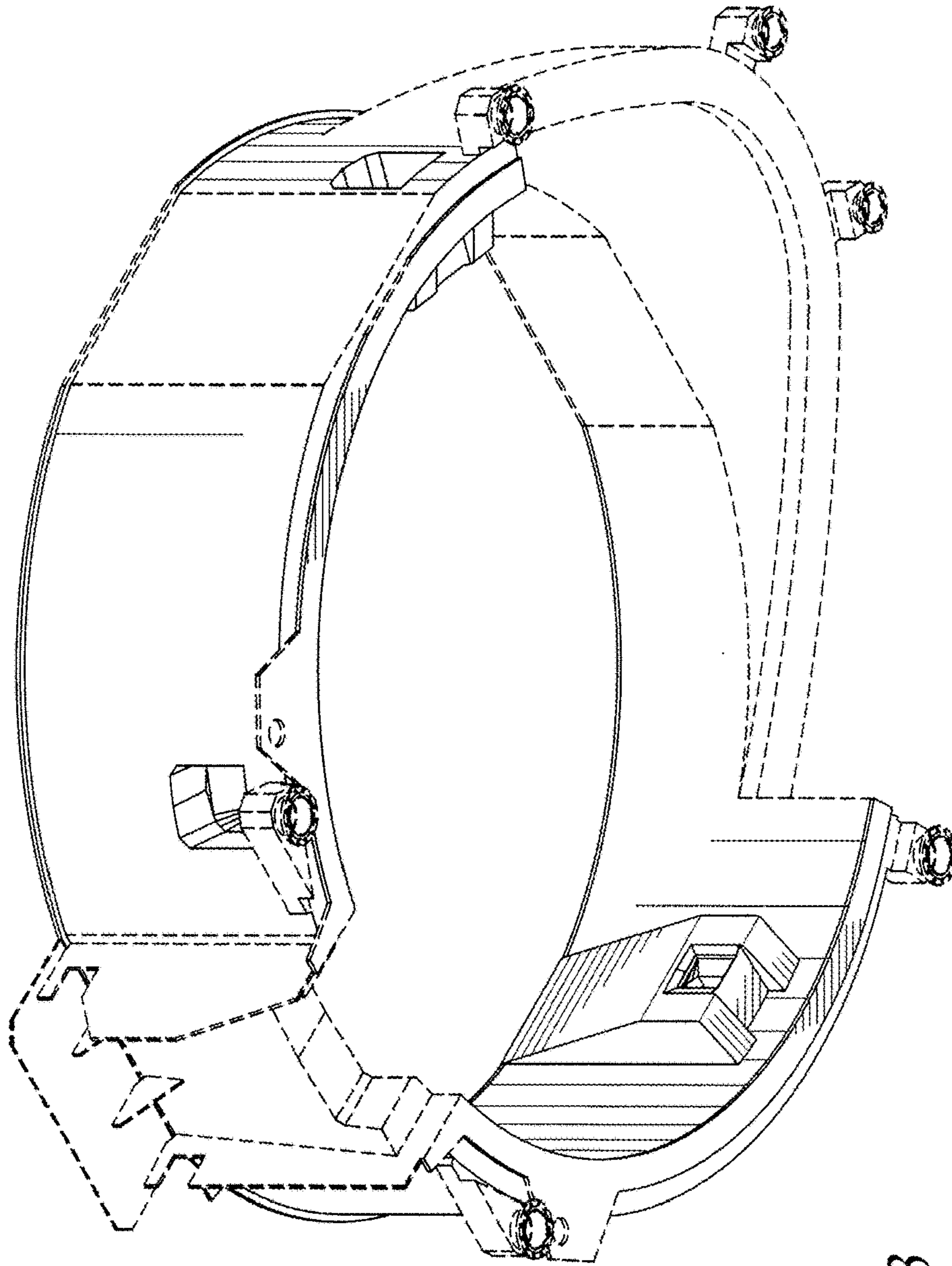


Fig. 3

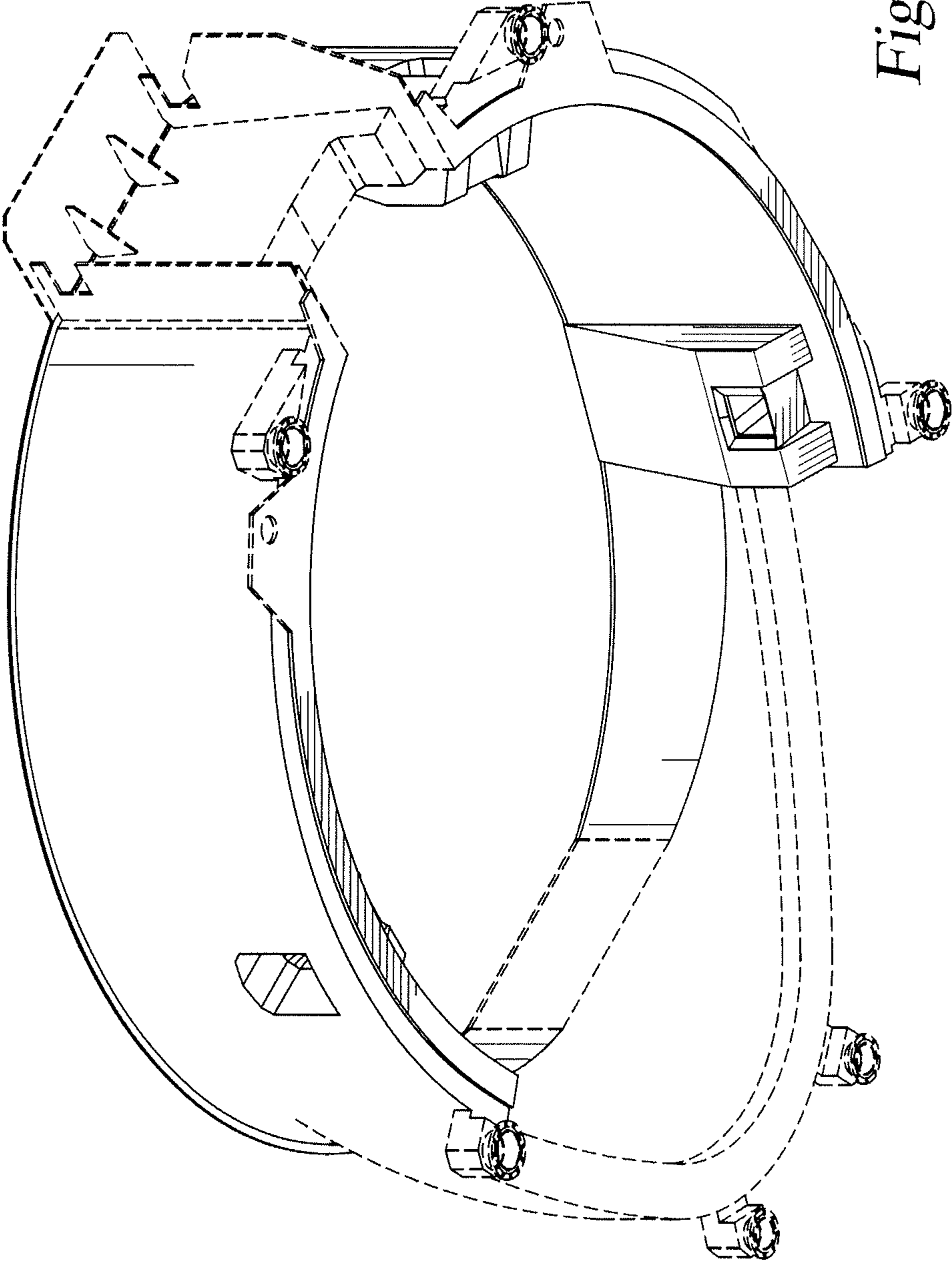


Fig. 4

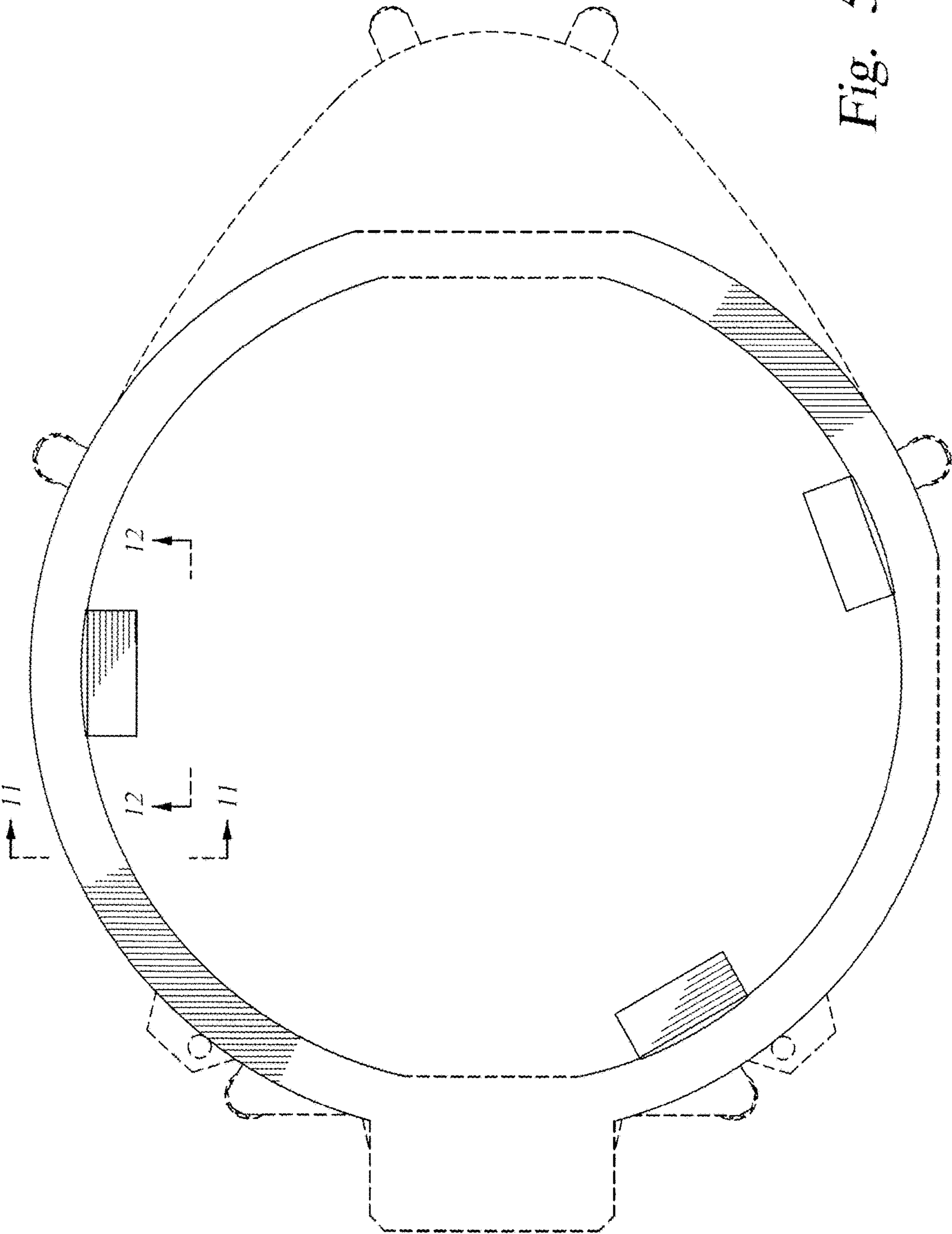


Fig. 5

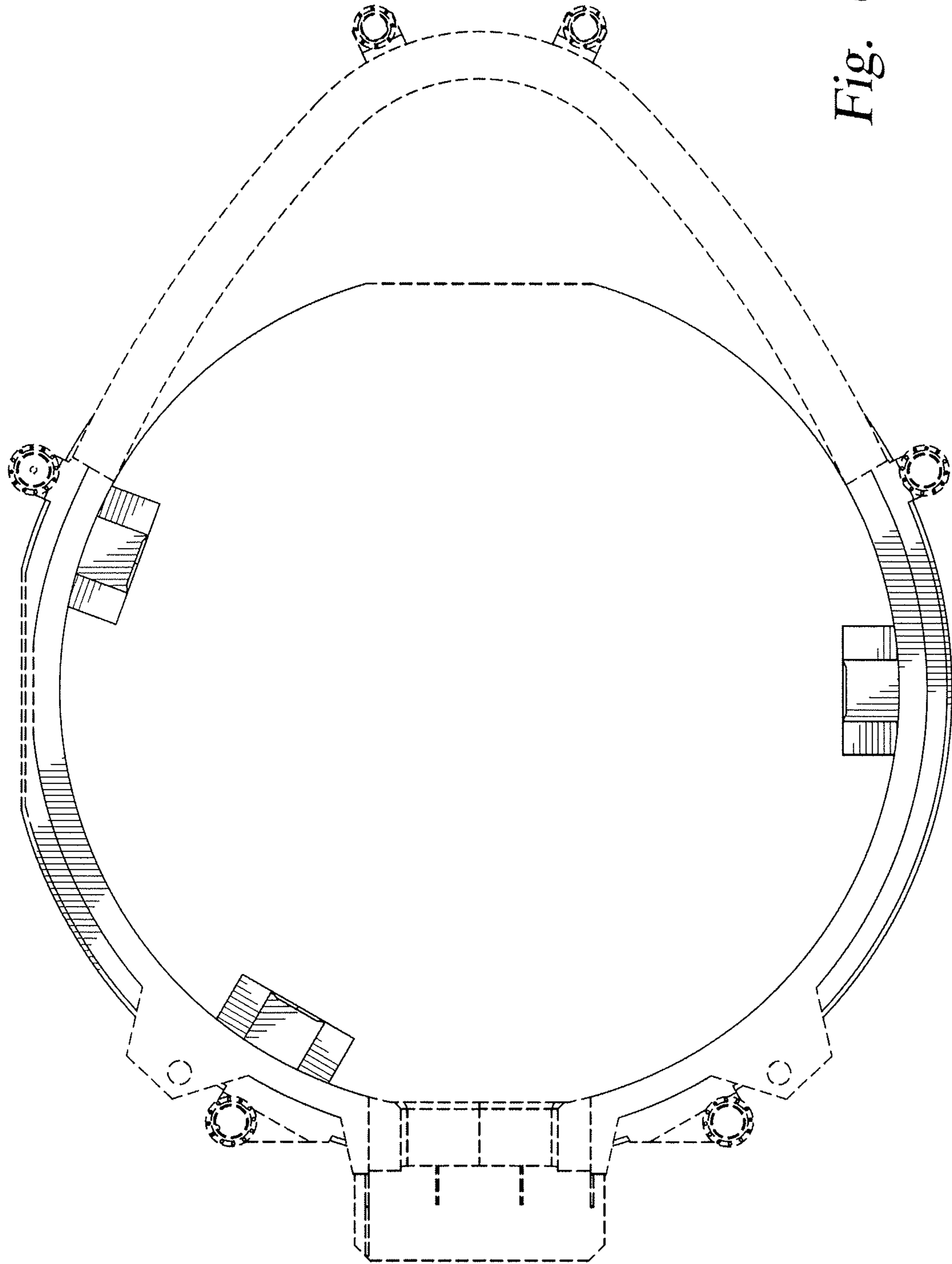


Fig. 6



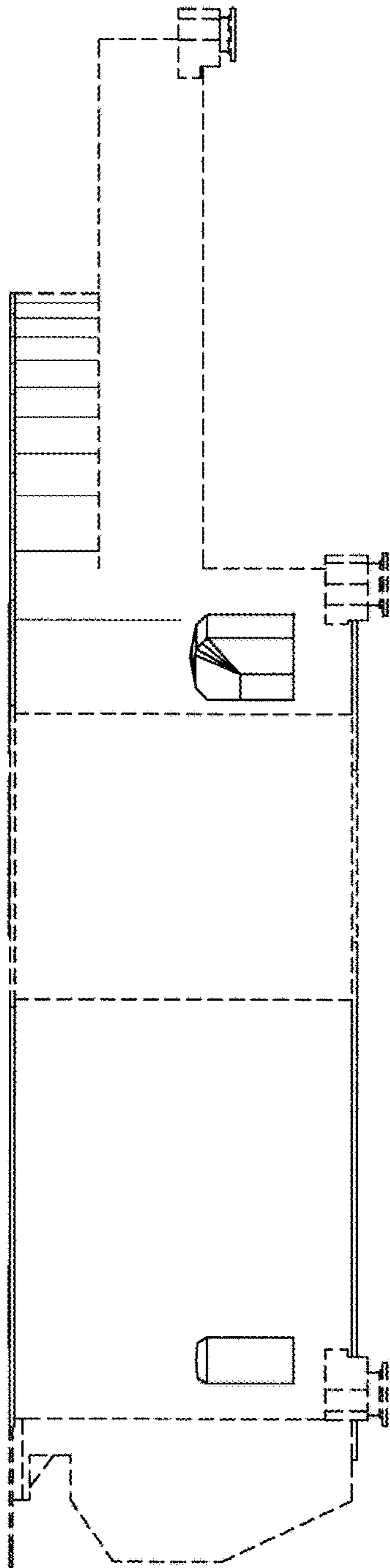


Fig. 7

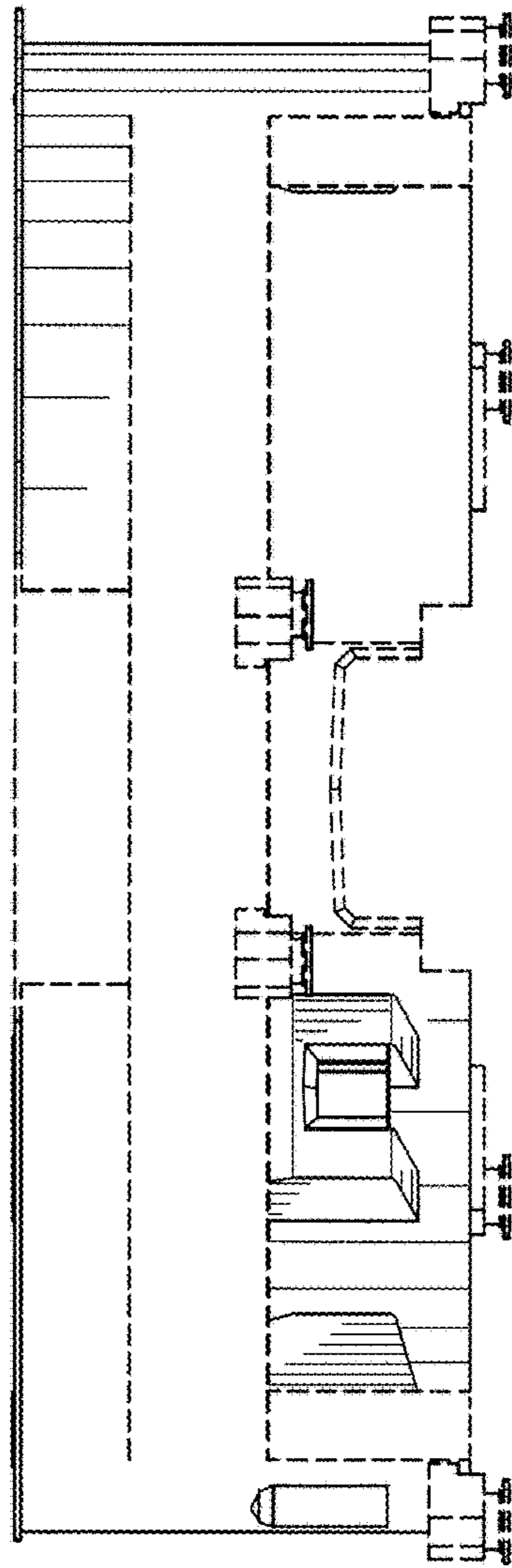


Fig. 8

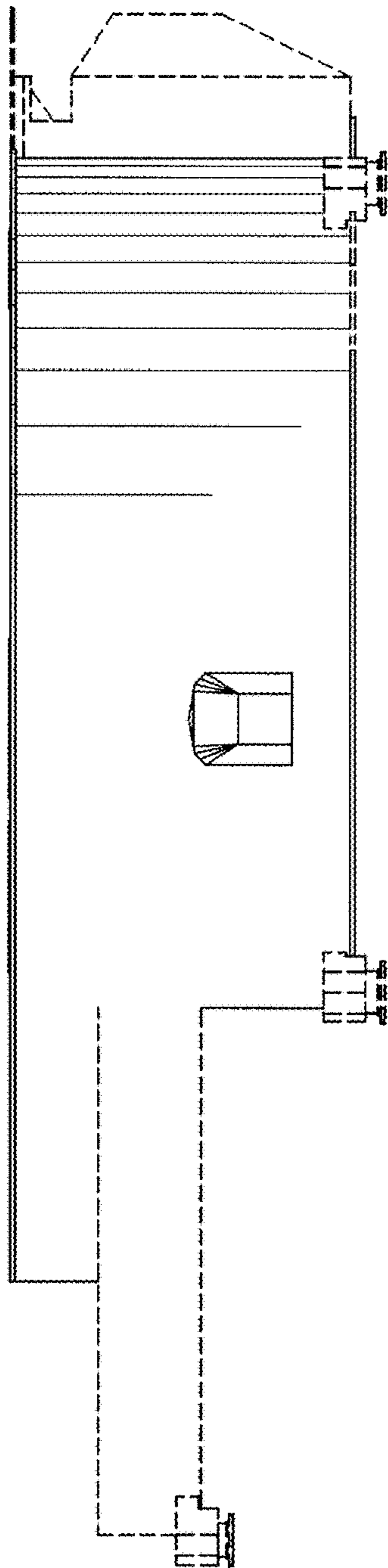


Fig. 9

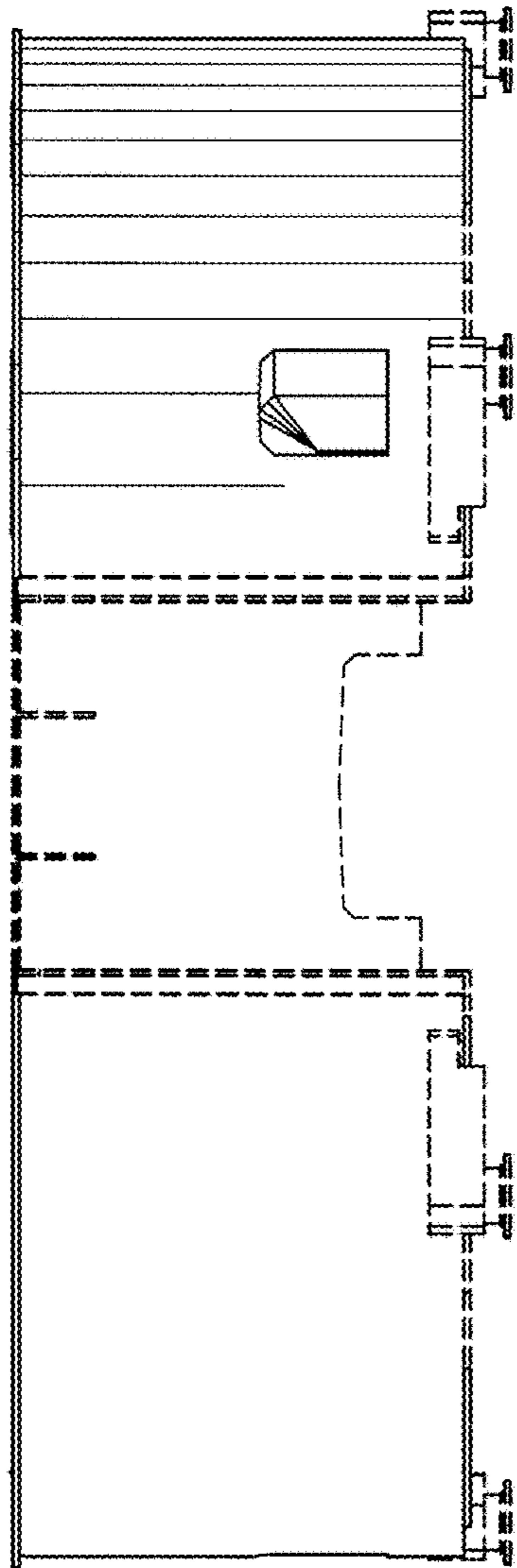


Fig. 10

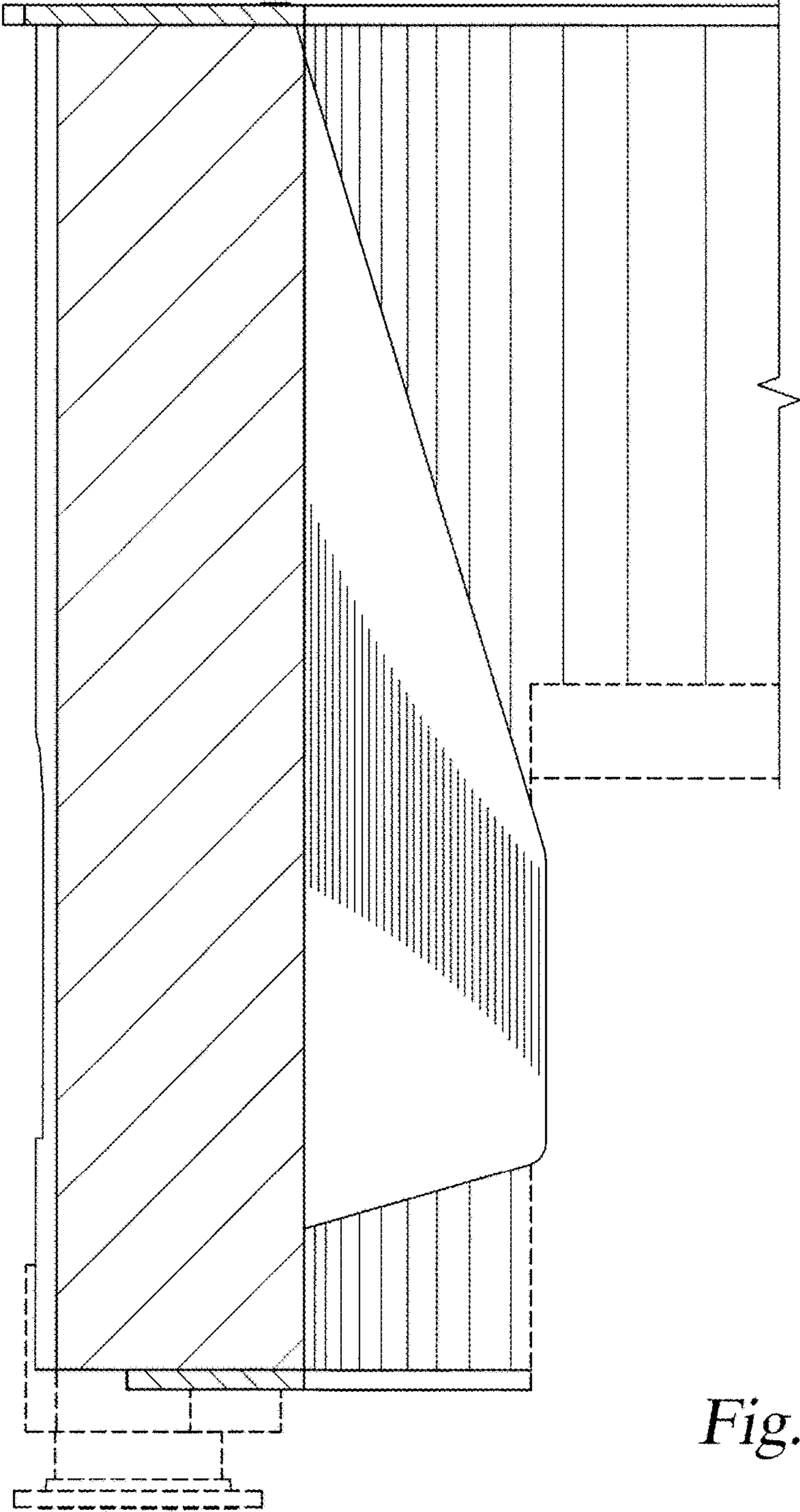
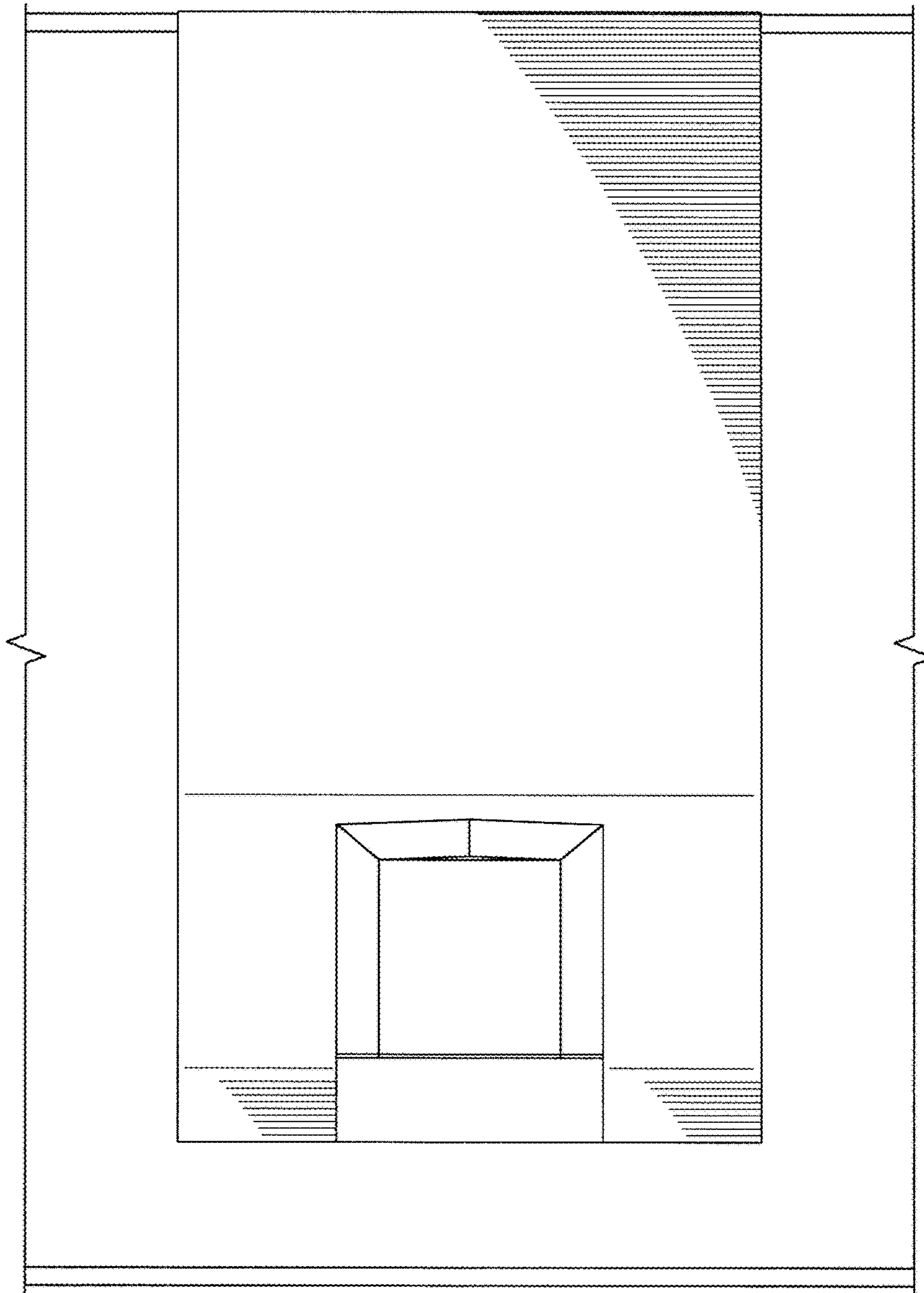


Fig. 11



*Fig. 12*