



US00D851742S

(12) **United States Design Patent** (10) **Patent No.:** **US D851,742 S**
Chang et al. (45) **Date of Patent:** **** Jun. 18, 2019**

(54) **SUPPORT FOR A FAN SHROUD**
(71) Applicant: **Hoffman Enclosures, Inc.**, Anoka, MN (US)
(72) Inventors: **Seng Chang**, Minneapolis, MN (US); **Jeffrey Thibedeau**, Robbinsdale, MN (US); **Michael Springstead**, Anoka, MN (US)
(73) Assignee: **Hoffman Enclosures, Inc.**, Anoka, MN (US)
(**) Term: **15 Years**
(21) Appl. No.: **29/578,310**
(22) Filed: **Sep. 20, 2016**
(51) **LOC (11) Cl.** **23-04**
(52) **U.S. Cl.**
USPC **D23/411**
(58) **Field of Classification Search**
USPC D23/370-379, 381-385, 400, 411-414, D23/360, 314, 335, 332; D12/196; D8/354

(Continued)

(56) **References Cited**

U.S. PATENT DOCUMENTS

3,204,546 A * 9/1965 Krell F24F 7/013
415/121.2
4,834,615 A * 5/1989 Mauch F24F 13/32
415/213.1

(Continued)

FOREIGN PATENT DOCUMENTS

DE 50306824 D1 5/2003
DE 202004001075 U1 4/2004

(Continued)

OTHER PUBLICATIONS

Pfannenberg 4th Generation Filterfan Type 3R Rainhoods <https://www.pfannenbergusa.com/filterfan_rainhoods>; 2012 Pfannenberg Incorporated.

(Continued)

Primary Examiner — Janice Hallmark
(74) *Attorney, Agent, or Firm* — Quarles & Brady LLP

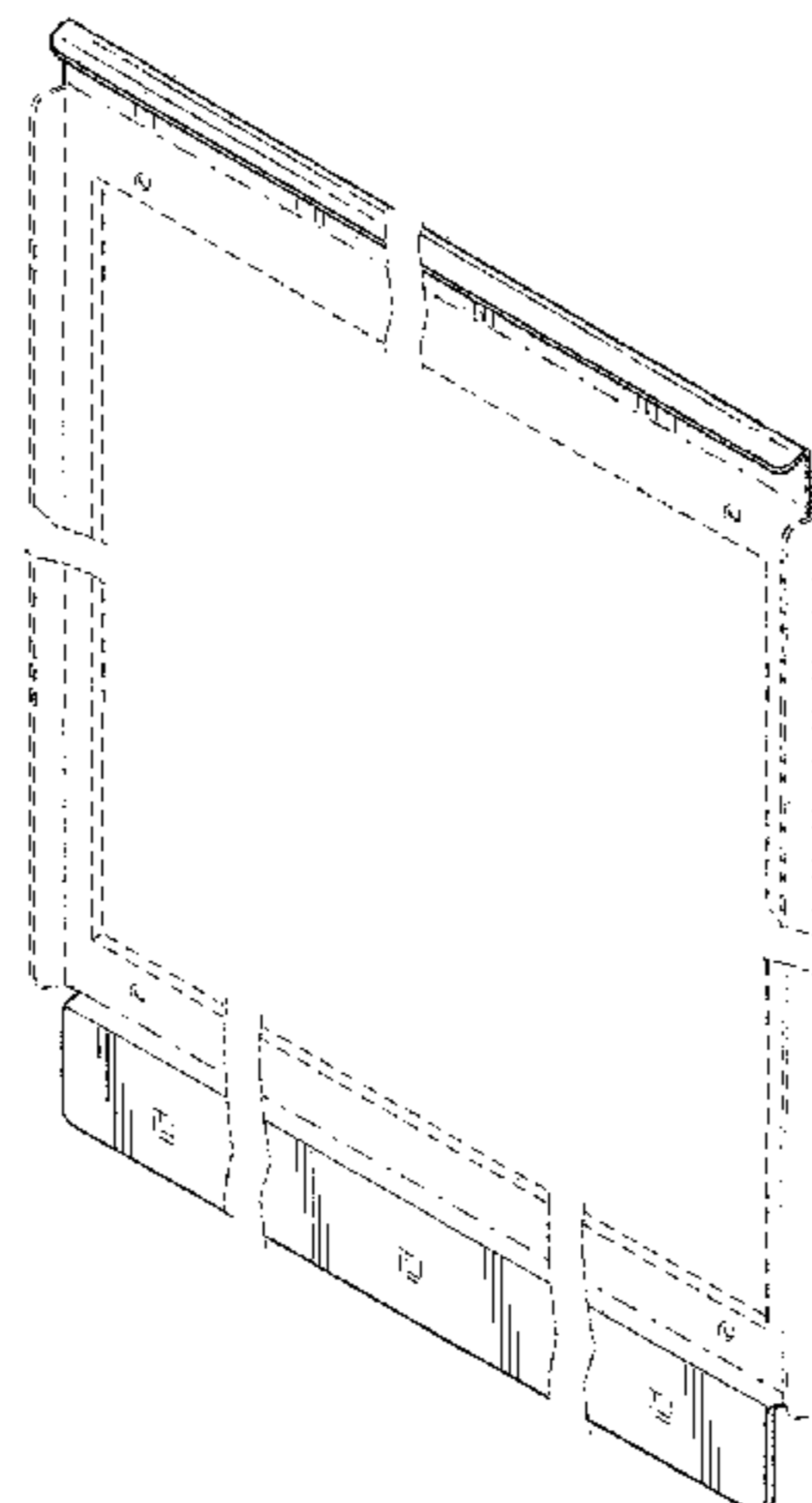
(57) **CLAIM**

The ornamental design for a support for a fan shroud, as shown and described.

DESCRIPTION

FIG. 1 is a top, front, left isometric view of an embodiment of an ornamental design for a support for a fan shroud; FIG. 2 is a front elevational view of the support of FIG. 1; FIG. 3 is a left side elevational view of the support of FIG. 1; FIG. 4 is a bottom plan view of the support of FIG. 1; FIG. 5 is a top plan view of the support of FIG. 1; and, FIG. 6 is a rear elevational view of the support of FIG. 1. The ornamental design that is claimed is shown in solid lines in the drawings. The broken lines in the drawings are for illustrative purposes only and form no part of the claimed design. Any dash-dash broken lines in the drawings are included to illustrate unclaimed surfaces or environment of the claimed design. Any dash-dot-dash-dot broken lines in the drawings are included to define unclaimed boundaries of the claimed design. Certain portions of the drawings between the pairs of generally parallel, jagged dash-dot-dot-dash broken lines are broken away to indicate that those portions of the claimed ornamental design have indeterminate lengths. Such pairs of jagged, dash-dot-dot-dash broken lines themselves form no part of the claimed design, and aspects of the embodiments that may be visible between the jagged lines have been removed for clarity, it being understood that, for each embodiment, the design along such removed aspects is a continuous extension of the design on either side of such removed aspects. Right side views are excluded from the drawings, as they are substantially identical to corresponding left side views of the claimed ornamental design, as provided in FIG. 3. Similarly, top, front, right isometric views of the claimed ornamental design are excluded from the drawings, as they are substantially identical to corresponding top, front, left isometric views, as provided in FIG. 1.

1 Claim, 3 Drawing Sheets



(58) **Field of Classification Search**
 CPC . F04D 5/00; F04D 27/00; F04D 25/10; F04D
 29/329; F04D 29/52; F24H 3/04
 See application file for complete search history.

(56) **References Cited**

U.S. PATENT DOCUMENTS

5,201,879 A 4/1993 Steele
 5,208,730 A * 5/1993 Tracy F04D 29/668
 361/679.48
 5,240,487 A * 8/1993 Kung A61L 9/12
 261/DIG. 88
 5,344,287 A * 9/1994 Schaefer F04D 29/601
 415/213.1
 5,462,569 A 10/1995 Benjamin
 5,514,036 A 5/1996 Lin
 5,573,562 A 11/1996 Schauwecker et al.
 5,769,916 A 6/1998 Immel
 5,788,566 A * 8/1998 McAnally H05K 7/20172
 361/695
 6,072,119 A 6/2000 Nicolai et al.
 6,110,245 A 8/2000 Schlag et al.
 6,185,097 B1 2/2001 Behl
 6,193,339 B1 2/2001 Behl et al.
 6,297,950 B1 10/2001 Erwin
 6,319,116 B1 11/2001 Behl
 6,328,791 B1 12/2001 Pillion et al.
 6,447,587 B1 9/2002 Pillion et al.
 6,464,745 B2 * 10/2002 Rivera B01D 46/10
 55/483
 6,508,868 B2 1/2003 Pillion et al.
 6,565,163 B2 5/2003 Behl et al.
 6,579,333 B2 6/2003 Huang
 6,676,505 B2 1/2004 Behl
 6,699,301 B1 3/2004 Eisenhauer
 6,712,889 B2 3/2004 Pillion et al.
 6,776,706 B2 8/2004 Kipka et al.
 6,817,940 B2 11/2004 Pfannenberg
 6,849,107 B1 * 2/2005 Huffman B01D 46/0005
 250/436
 6,863,704 B2 3/2005 Pillion et al.
 6,942,710 B2 * 9/2005 Milano B01D 46/008
 55/480
 7,077,893 B2 7/2006 Guilliard
 7,088,584 B2 8/2006 Chen
 D536,238 S * 2/2007 Conley D8/354
 D554,477 S * 11/2007 Conley D8/354
 7,322,881 B2 1/2008 Ishii
 7,323,027 B1 1/2008 Fu
 D564,340 S * 3/2008 Conley D8/354
 7,466,545 B2 12/2008 Hung
 8,152,885 B2 4/2012 Pfannenberg
 8,356,976 B2 * 1/2013 Zhang G06F 1/181
 361/679.48
 8,601,740 B2 12/2013 Tu et al.
 8,727,842 B2 5/2014 Pfannenberg
 8,864,560 B2 10/2014 Yeh et al.
 8,951,322 B2 2/2015 Pfannenberg et al.
 8,974,585 B2 * 3/2015 Hartmann B01D 46/0086
 96/417

9,039,500 B2 5/2015 Pfannenberg
 9,237,674 B2 1/2016 Hartmann et al.
 D777,901 S * 1/2017 Whitemore D23/370
 D796,661 S * 9/2017 Oswald, Jr. D23/388
 9,926,935 B2 * 3/2018 Inda F04D 25/0613
 10,040,149 B2 * 8/2018 Simmons B01D 46/0005
 2004/0047122 A1 * 3/2004 Chen G06F 1/184
 361/679.33
 2007/0137243 A1 * 6/2007 Lee F04D 29/462
 62/419
 2007/0283672 A1 * 12/2007 Fu B01D 46/0005
 55/385.6
 2007/0289273 A1 * 12/2007 Boyd B01D 46/0005
 55/497
 2008/0014858 A1 1/2008 Pfannenberg
 2008/0043432 A1 * 2/2008 Hung G06F 1/181
 361/695
 2008/0045134 A1 2/2008 Pfannenberg
 2008/0045135 A1 * 2/2008 Pfannenberg F04D 29/646
 454/184
 2008/0121107 A1 5/2008 Pfannenberg
 2008/0151492 A1 6/2008 Maddox
 2009/0075582 A1 * 3/2009 Wilkerson F24F 13/28
 454/298
 2009/0185348 A1 7/2009 Bretschneider et al.
 2013/0130608 A1 5/2013 Hartmann
 2013/0309074 A1 11/2013 Yang et al.
 2014/0215981 A1 8/2014 Pfannenberg
 2016/0016102 A1 1/2016 Maddox

FOREIGN PATENT DOCUMENTS

DE 202004006784 U1 7/2004
 DE 502006006392 D1 10/2006
 DE 202006015789 U1 12/2006
 DE 202006019690 U1 3/2007
 DE 202006012058 U1 12/2007
 DE 102009009509 A1 9/2009
 EP 1262095 B1 1/2001
 EP 1843652 B1 10/2007
 EP 1939456 B1 7/2008
 EP 2042010 B1 9/2009
 WO 2015044198 A1 4/2015

OTHER PUBLICATIONS

Fandis colors of engineering; Fan Filters VIRDIS; <<http://www.fandis.it/en/Home/Prodotti?Area=1&Categoria=VI03&Tipologia=28&Classe=38>>.
 Kooltronic Thermal Management for Enclosures; <<http://www.kooltronic.com/fa-filter-hood-assembly-knpaff.aspx>>.
 Rubsament & Herr green globe concepts; filter fan shrouds; ; <<http://www.ruebsamen-und-herr.com/artikel/filter-fan-shrouds-22511.html>>.
 Pentair Equipment Protection; Hoffman SH10 Models; <<http://www.pentairprotect.com/en/hoffman/SH10GS35001>>; 2016 Pentair. All rights reserved.

* cited by examiner

FIG. 1

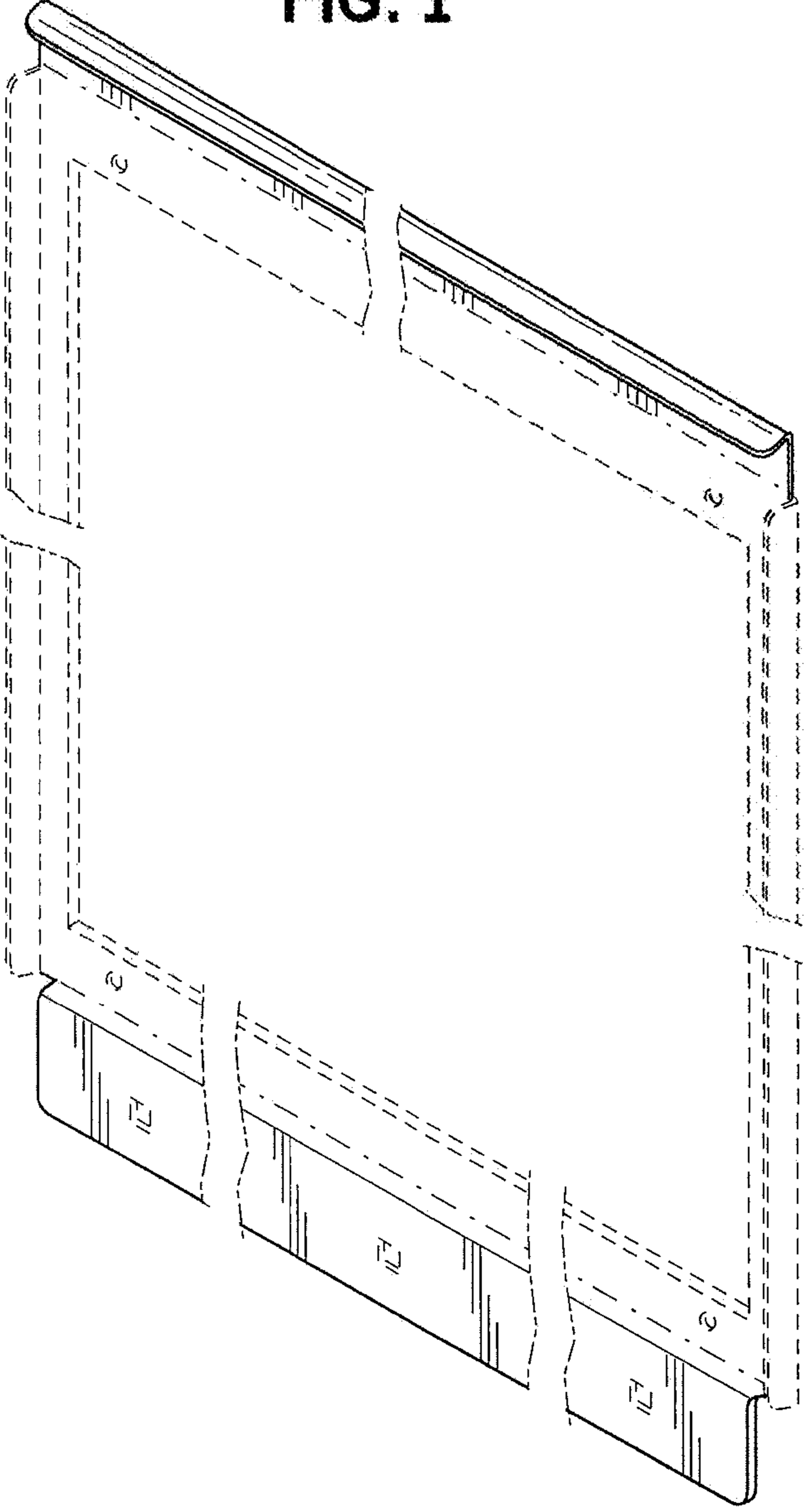


FIG. 2

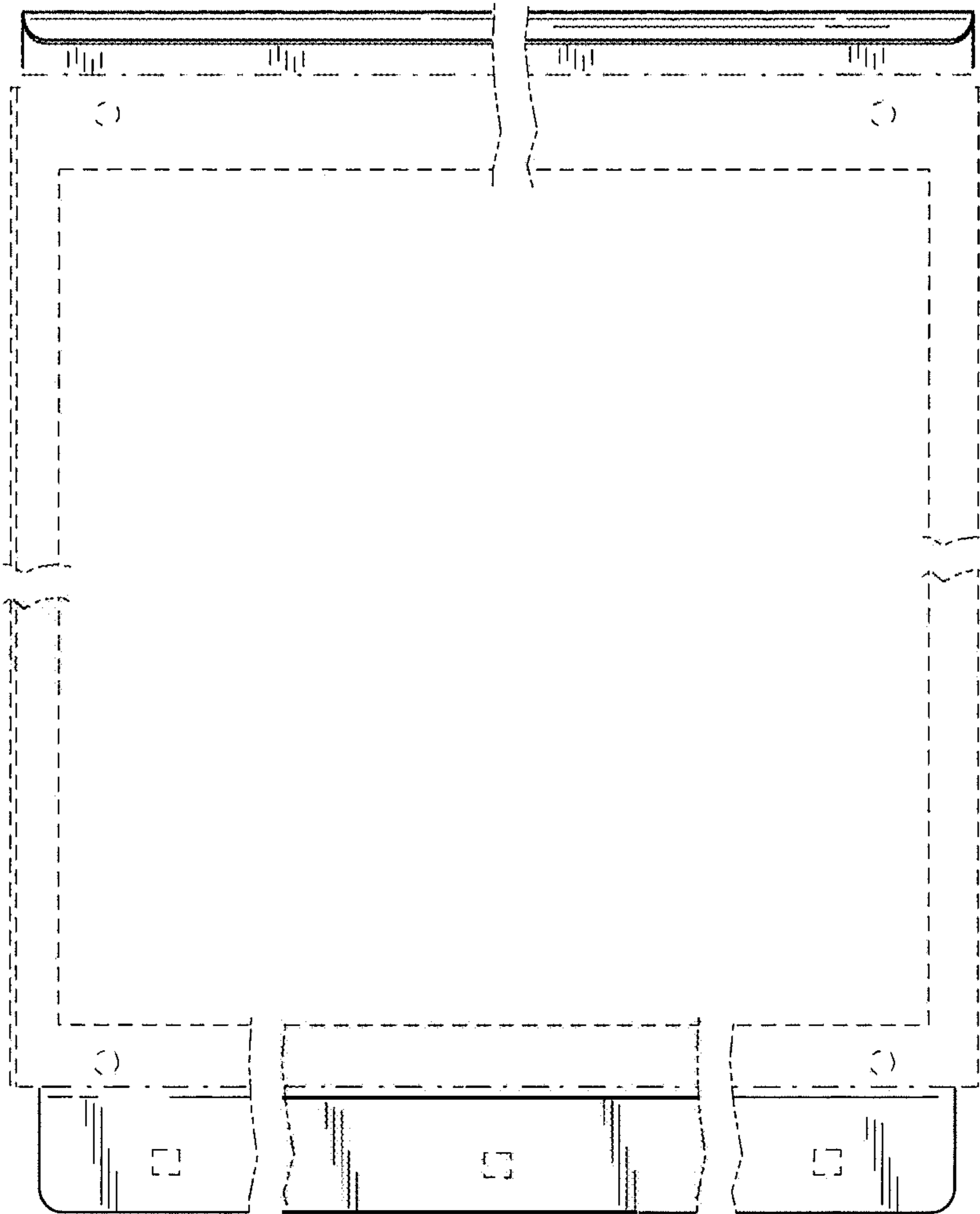


FIG. 3



FIG. 4

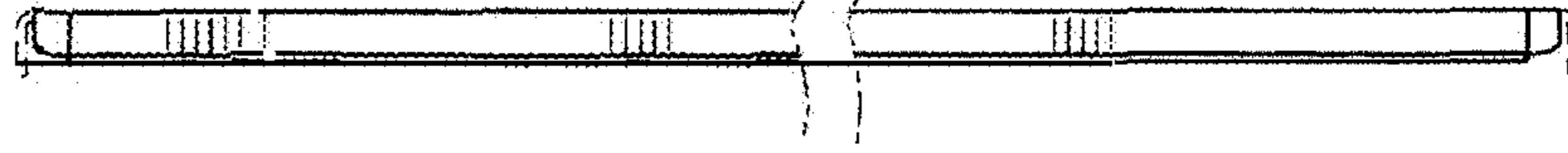


FIG. 5

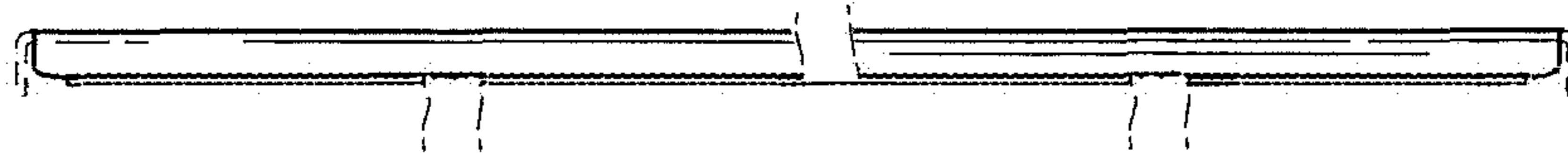


FIG. 6

