



US00D851739S

(12) **United States Design Patent**  
**Naber**

(10) **Patent No.:** **US D851,739 S**  
(45) **Date of Patent:** **\*\* Jun. 18, 2019**

(54) **PIPE FITTING**

(71) Applicant: **Naber Holding GmbH & Co. KG**,  
Nordhorn (DE)

(72) Inventor: **Joachim Naber**, Nordhorn (DE)

(73) Assignee: **Naber Holding GmbH & Co. KG**  
(DE)

(\*\*) Term: **15 Years**

(21) Appl. No.: **29/639,532**

(22) Filed: **Mar. 7, 2018**

(30) **Foreign Application Priority Data**

Sep. 14, 2017 (EP) ..... 004353555

(51) **LOC (11) Cl.** ..... **23-01**

(52) **U.S. Cl.**  
USPC ..... **D23/263**

(58) **Field of Classification Search**

USPC ..... D23/259, 262–263, 265–266, 267,  
D23/393–394; D24/129; 285/132.1,  
285/133.11, 179, 179.1, 179.2, 125.1, 23,  
285/122.1, 123.15, 123.16, 124.1, 124.5,  
285/136.1, 226, 183, 397, 423–424;  
D25/121–125; 454/241, 243, 261–265,  
454/267–268, 359, 903; 138/37–44, 109,  
138/111, 115–117, 121, 156, 162–163,  
138/166–168, 173; 52/220.3, 220.8, 16;  
D32/25

CPC ..... F16L 43/001; F16L 43/002; F16L 43/008;  
F16L 21/005; F16L 21/002; F16L 21/08;  
F16L 21/06; F16L 21/04; F16L 9/22;  
F16L 9/16; F16L 9/003; F16L 37/0985;  
F16L 55/07; F16L 43/00; F16L 27/11;  
F16L 55/027; F16L 5/00; F16K 15/03;  
F16K 43/001; F16K 43/003

See application file for complete search history.

(56) **References Cited**

U.S. PATENT DOCUMENTS

1,881,979	A *	10/1932	Taylor	.....	F16L 43/02 285/133.11
D291,481	S *	8/1987	Vassallo	.....	D23/263
D481,447	S *	10/2003	Dole	.....	D23/263
D482,103	S *	11/2003	Snyder, Sr.	.....	D23/263
6,640,461	B1 *	11/2003	Berger	.....	D06F 58/20 285/123.15
7,338,095	B1 *	3/2008	Karnes	.....	F16L 41/02 24/16 PB
D586,433	S *	2/2009	Price	.....	D23/259
D612,481	S *	3/2010	Reid	.....	D24/110.1
D615,630	S *	5/2010	Price	.....	D23/263
D615,631	S *	5/2010	Price	.....	D23/263
8,201,369	B2 *	6/2012	Coughlin	.....	F16L 5/00 285/179
D727,472	S *	4/2015	Bednarz	.....	D23/263

(Continued)

*Primary Examiner* — Eric L Goodman

*Assistant Examiner* — Amy C Wierenga

(74) *Attorney, Agent, or Firm* — Polsinelli PC

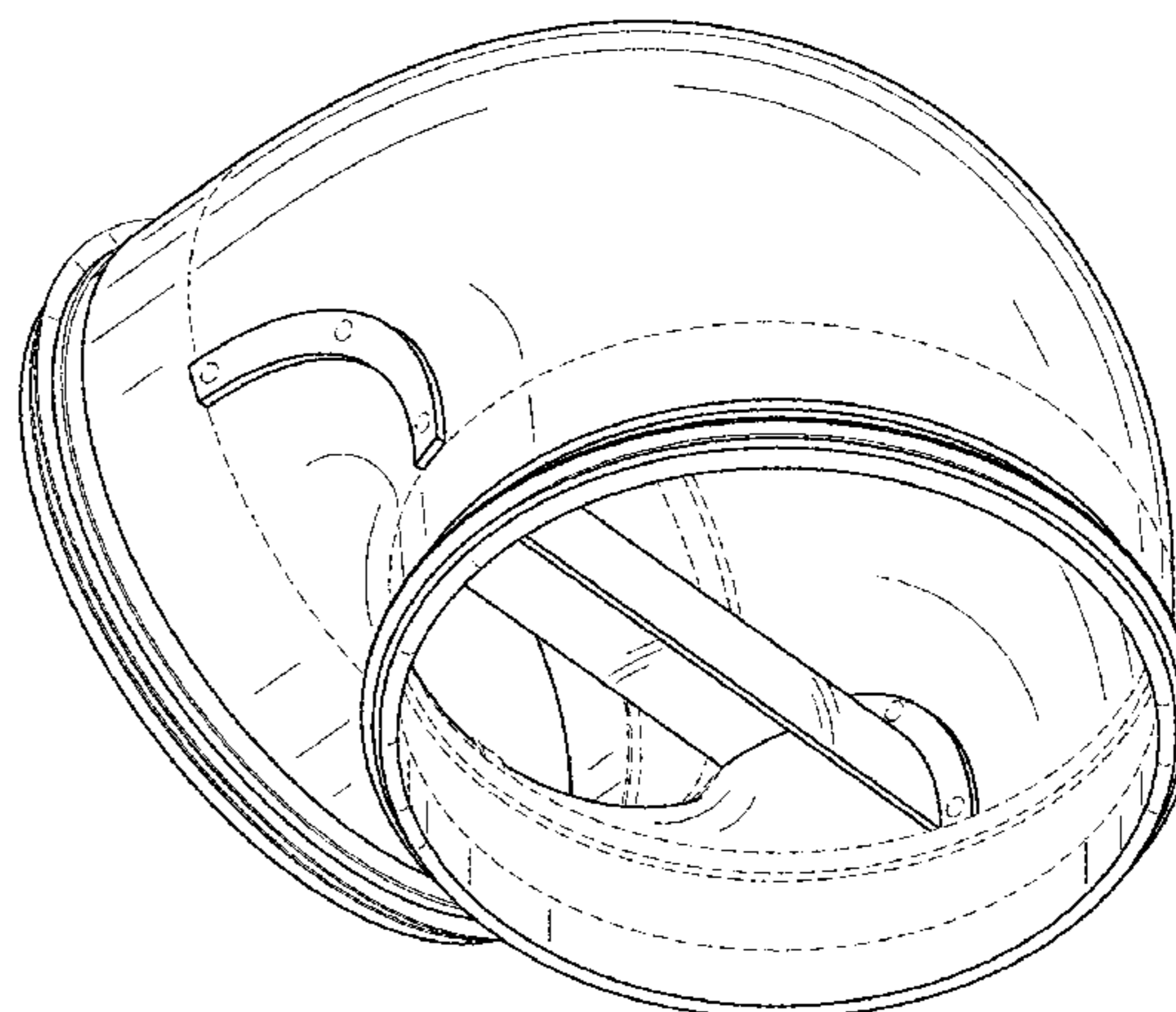
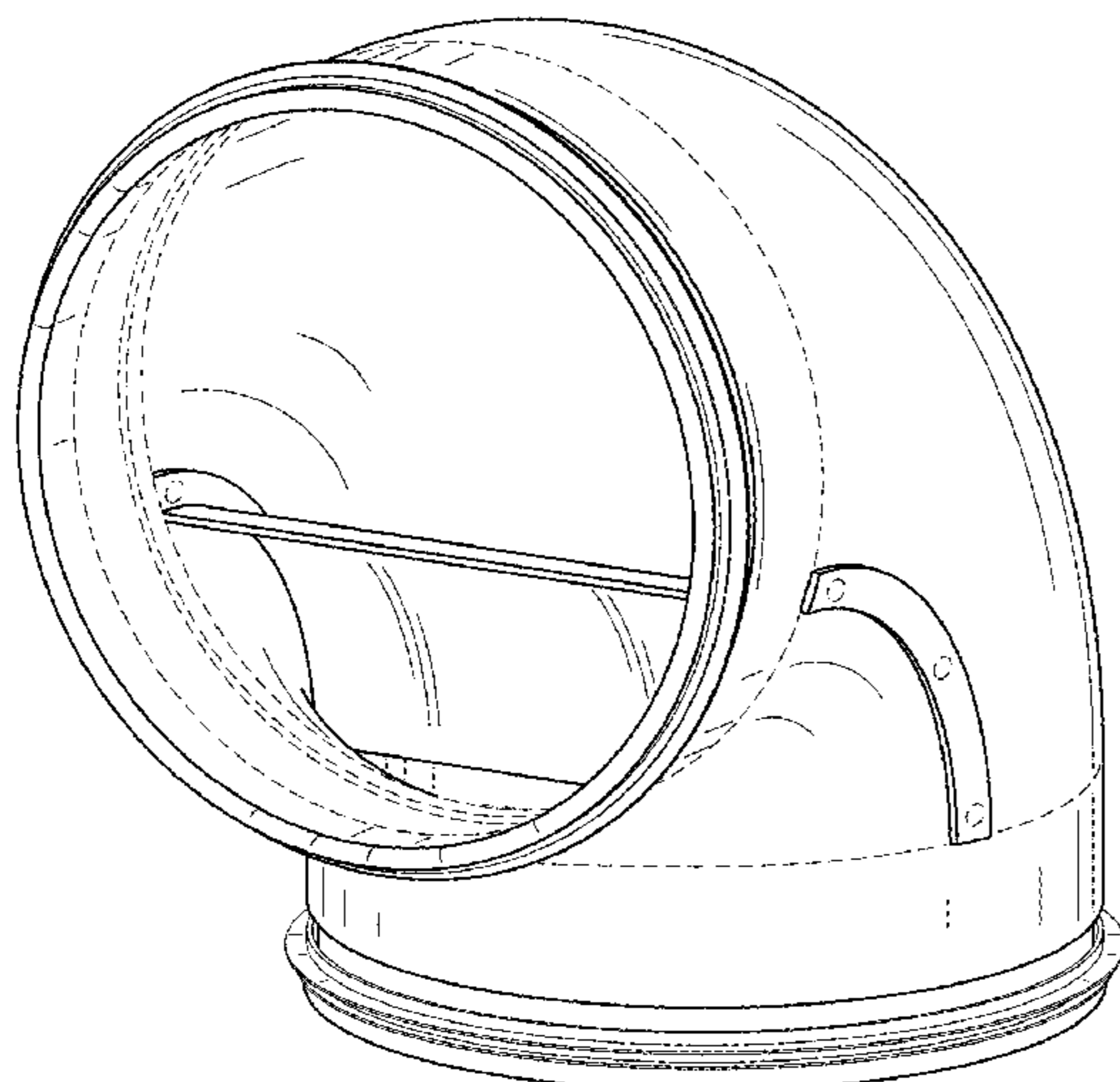
(57) **CLAIM**

The ornamental design for a pipe fitting, as shown and described.

**DESCRIPTION**

FIG. 1 is a perspective view of the pipe fitting;  
FIG. 2 is a bottom perspective view of the pipe fitting;  
FIG. 3 is a front view of the pipe fitting;  
FIG. 4 is a rear view of the pipe fitting;  
FIG. 5 is a right side view of the pipe fitting;  
FIG. 6 is a left side view of the pipe fitting;  
FIG. 7 is a top view of the pipe fitting; and,  
FIG. 8 is a bottom view of the pipe fitting.  
The broken lines showing in the figures are included for the purpose of illustrating portions of the pipe fitting that form no part of the claimed design.

**1 Claim, 5 Drawing Sheets**



(56)

**References Cited**

U.S. PATENT DOCUMENTS

D728,752 S \* 5/2015 Browning ..... D23/263  
D733,266 S \* 6/2015 Bednarz ..... D23/263  
D738,472 S \* 9/2015 Bednarz ..... D23/263  
D771,780 S \* 11/2016 Scifres ..... D23/266  
2016/0363346 A1\* 12/2016 Vargo ..... F24H 8/006

\* cited by examiner

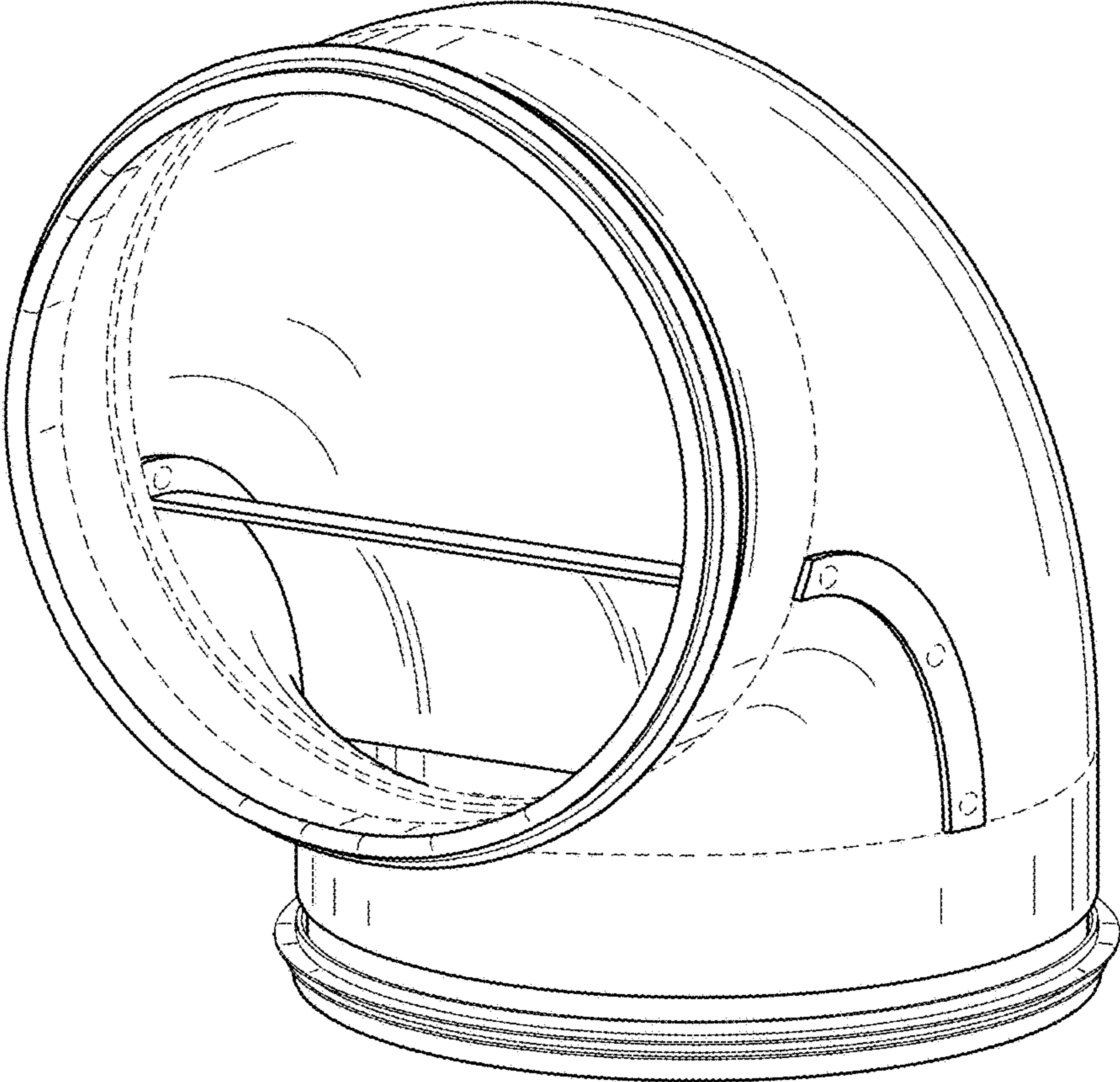


FIG. 1

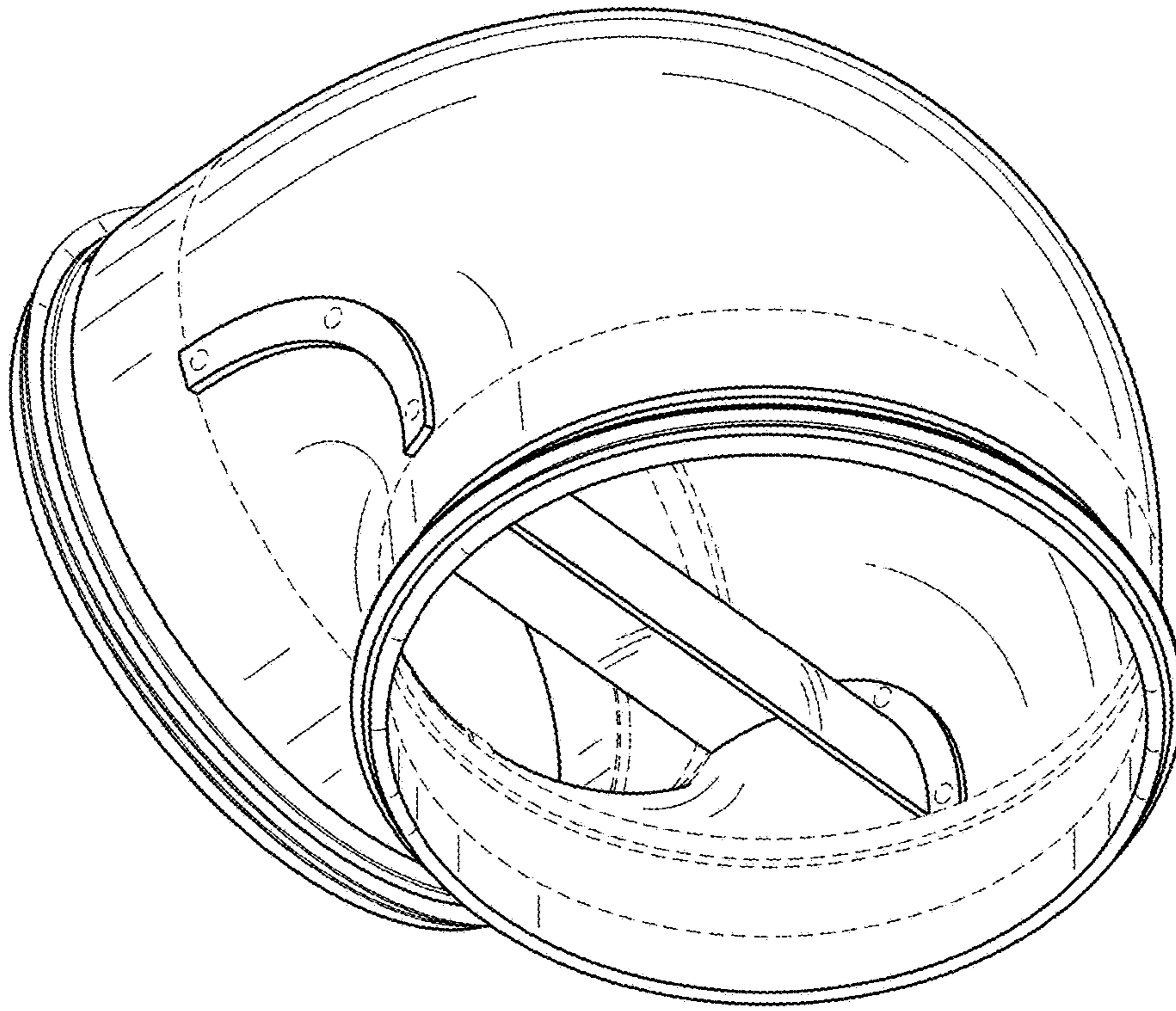


FIG. 2

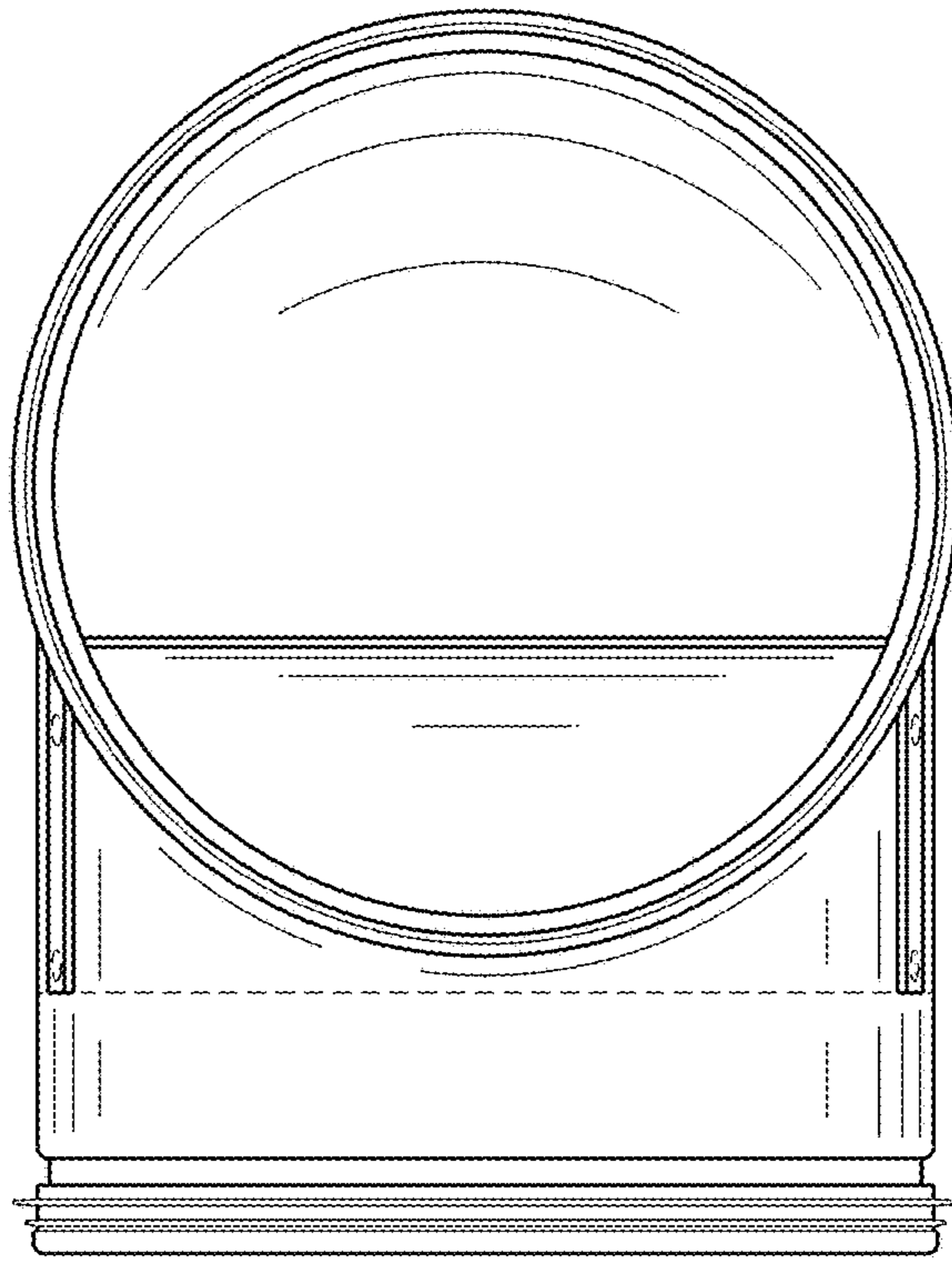


FIG. 3

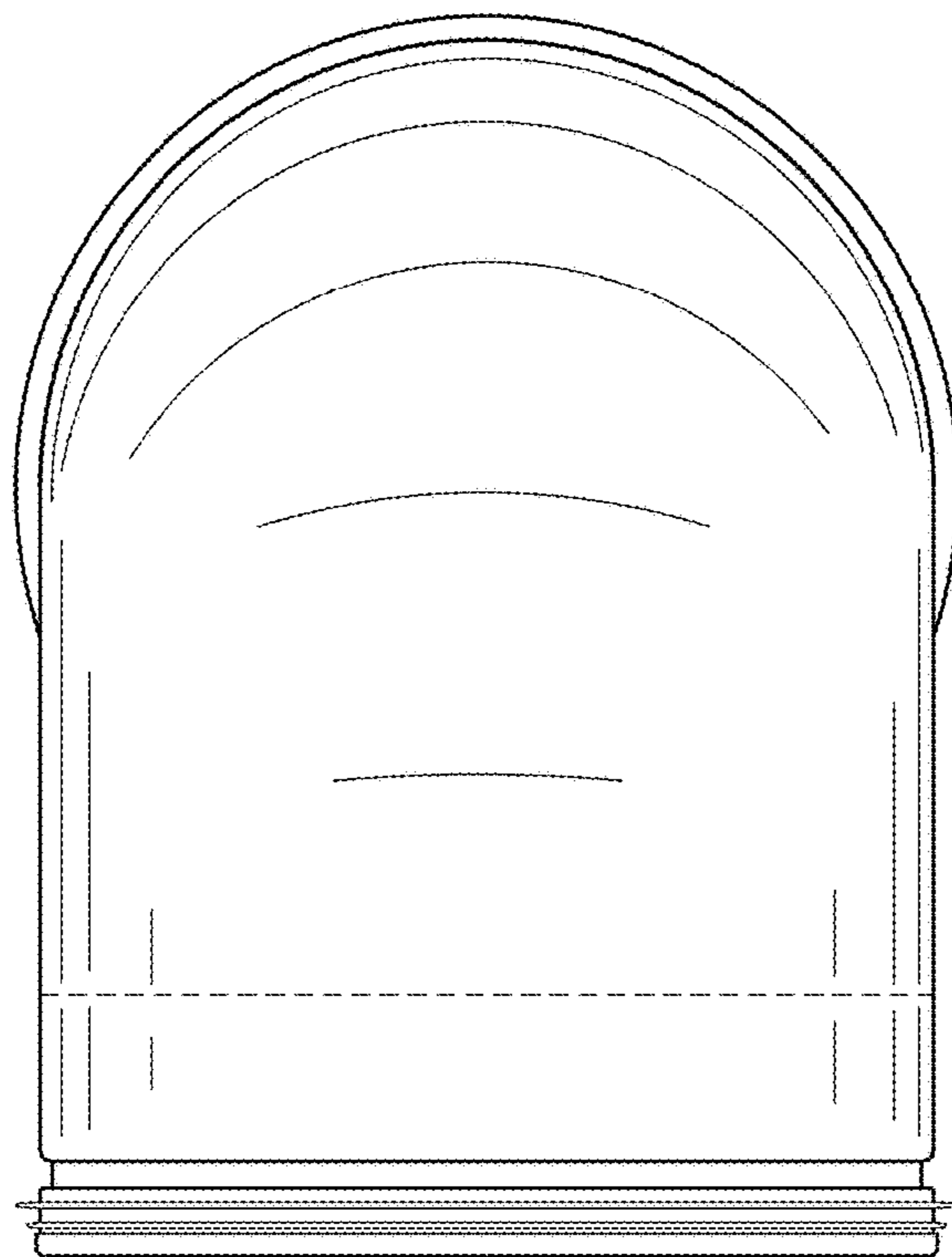


FIG. 4

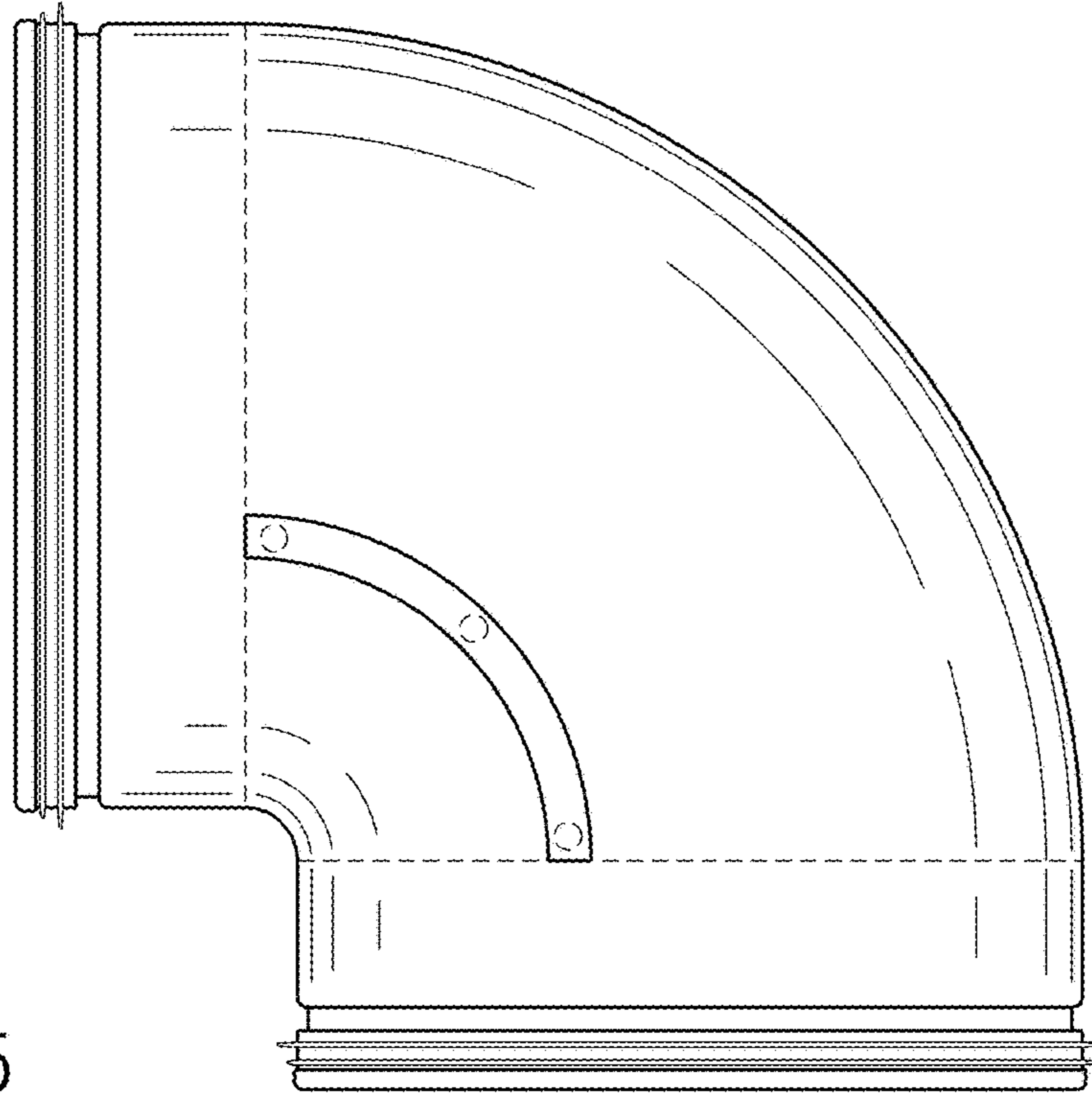


FIG. 5

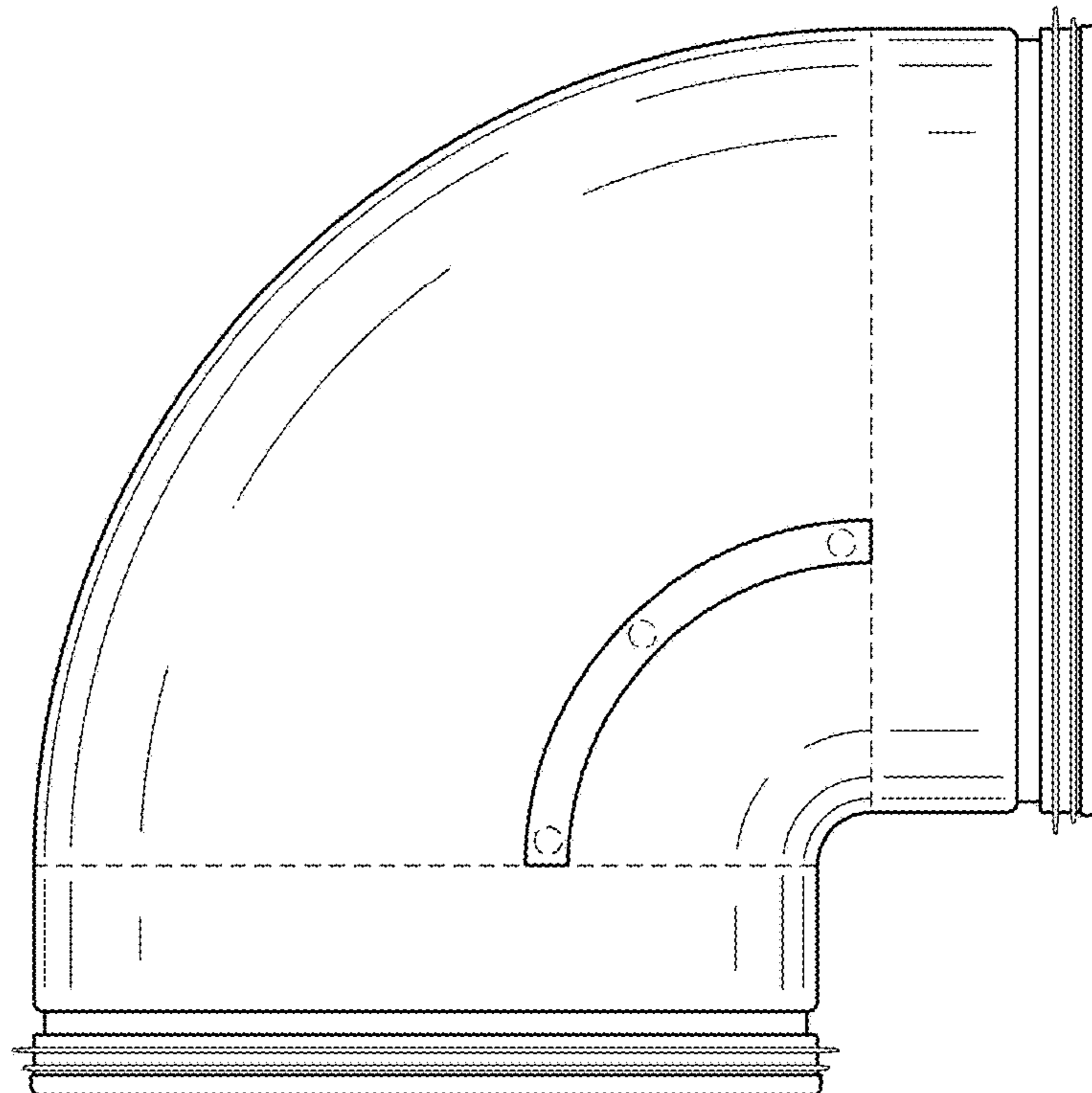


FIG. 6

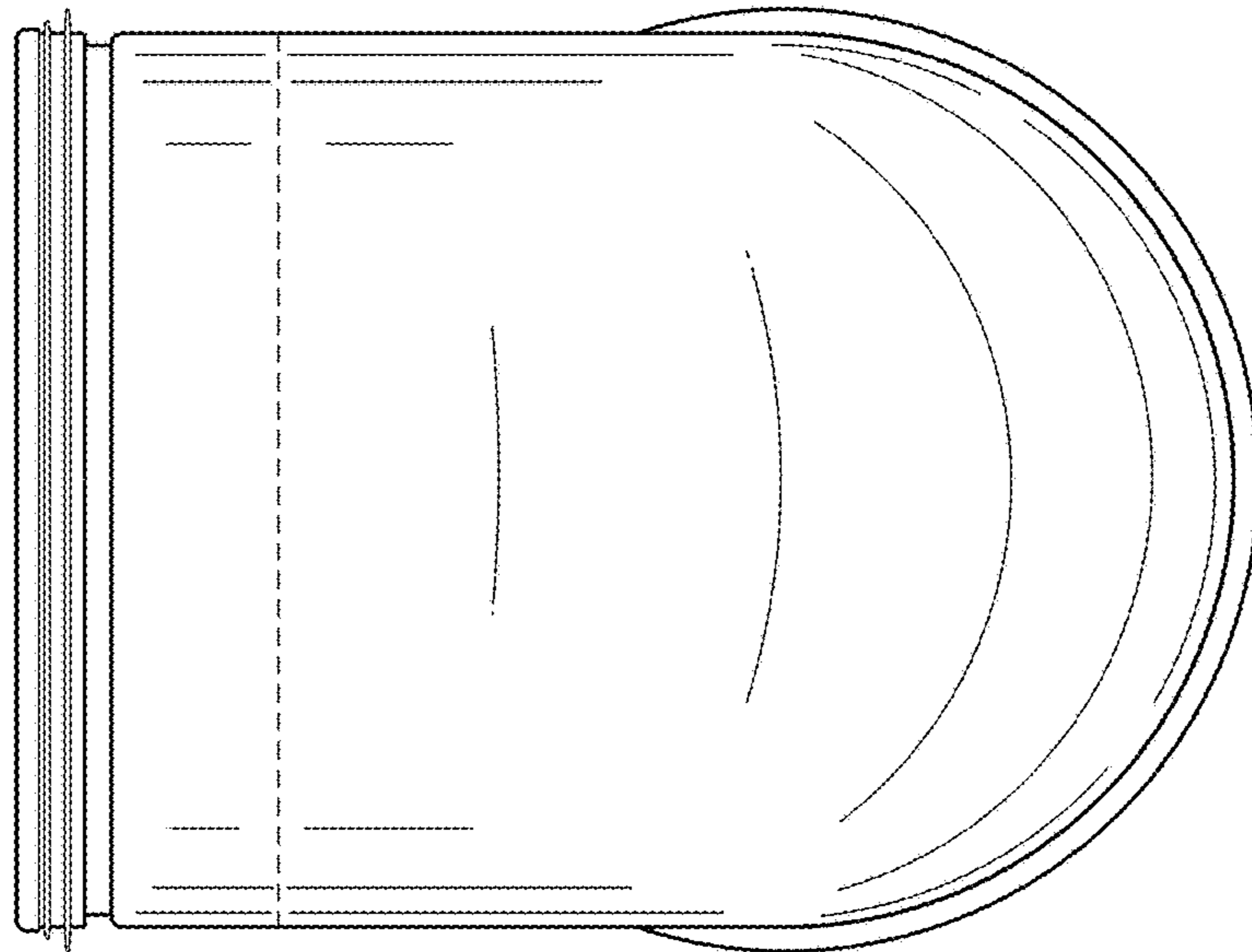


FIG. 7

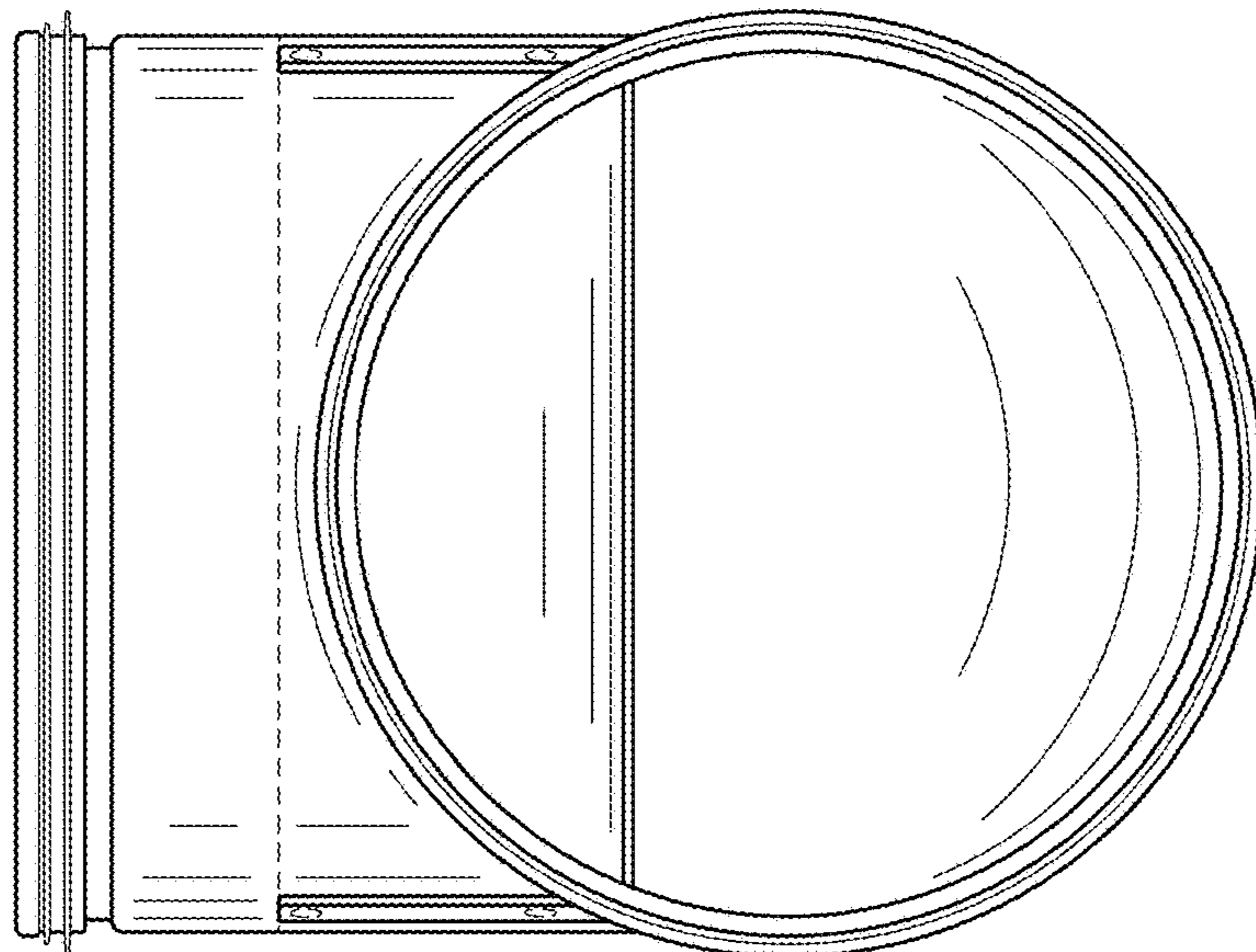


FIG. 8