



US00D851738S

(12) **United States Design Patent**
Ghorbani

(10) **Patent No.:** **US D851,738 S**
(45) **Date of Patent:** **** Jun. 18, 2019**

- (54) **SPRAY GUN ADAPTER**
- (71) Applicant: **M. G. Distributor, Inc.**, Reseda, CA
(US)
- (72) Inventor: **Mike Ghorbani**, Beverly Hills, CA
(US)
- (**) Term: **15 Years**
- (21) Appl. No.: **29/605,243**
- (22) Filed: **May 24, 2017**
- (51) **LOC (11) Cl.** **23-01**
- (52) **U.S. Cl.**
USPC **D23/259; D23/213**
- (58) **Field of Classification Search**
USPC D23/259, 365, 213, 226, 262, 264-266;
239/267, 397; 285/7, 34, 39, 148.19,
285/148.21, 291.1-291.2, 328, 333
CPC B05B 7/24; B05B 7/2408; F16L 25/00;
F16L 25/14; F16L 2201/20
See application file for complete search history.

- D407,802 S * 4/1999 Hatfield D23/262
- D602,128 S * 10/2009 Williams D23/262
- D627,039 S * 11/2010 Yu D23/260
- 2002/0050716 A1* 5/2002 Cresswell F16L 37/088
285/39
- 2010/0117356 A1* 5/2010 Pucciani F16L 21/002
285/238
- 2016/0243574 A1* 8/2016 Bierie F16L 15/06
- 2017/0239681 A1* 8/2017 Bierie B05B 7/2408

* cited by examiner

Primary Examiner — Eric L Goodman
Assistant Examiner — Amy C Wierenga
(74) *Attorney, Agent, or Firm* — Payam Moradian

(57) **CLAIM**

I claim the ornamental design for a spray gun adapter, as shown and described.

DESCRIPTION

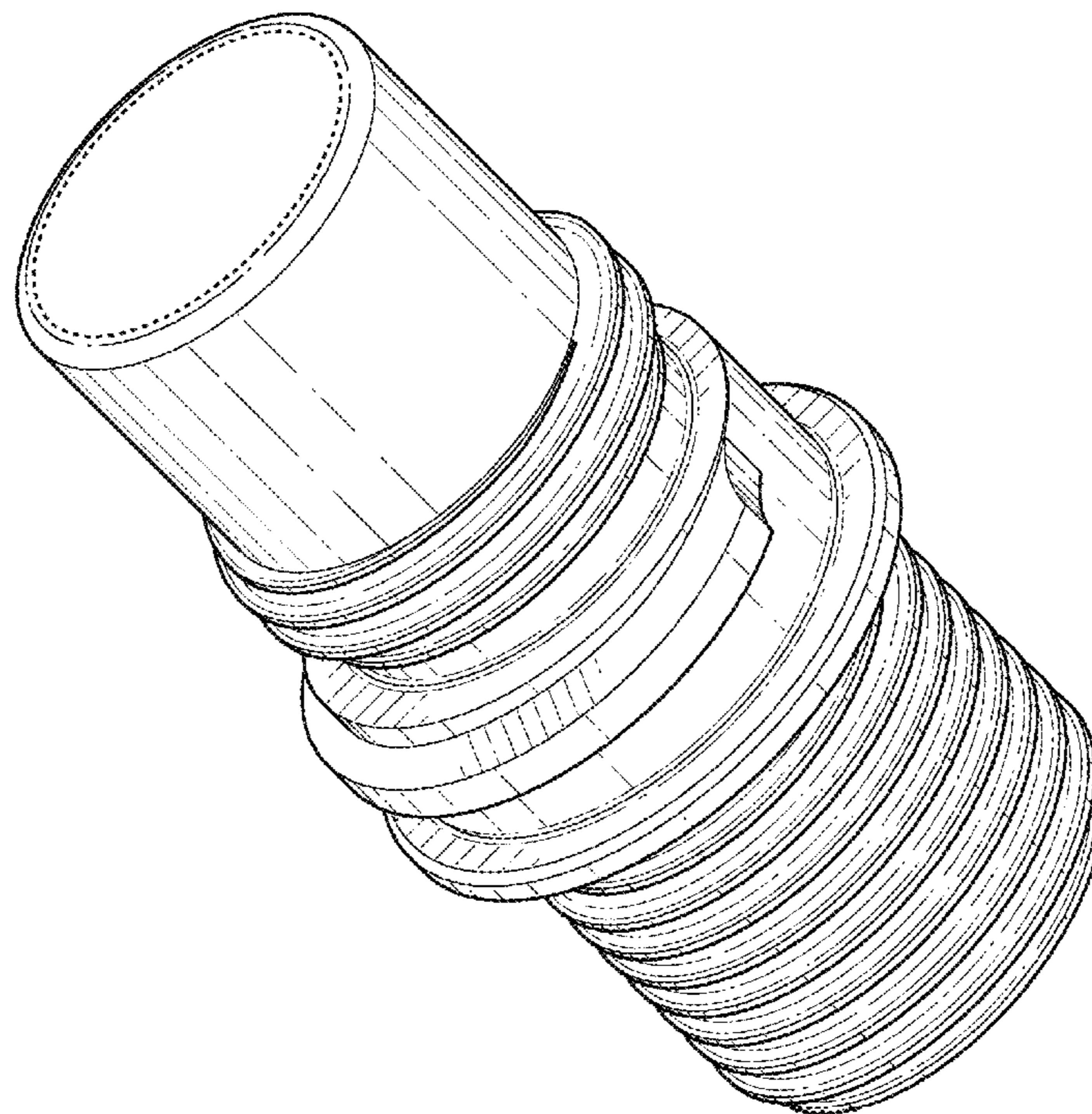
FIG. 1 is a right side perspective view of the spray gun adapter;
FIG. 2 is a right side elevational view thereof;
FIG. 3 is a front side view thereof;
FIG. 4 is a left side view thereof;
FIG. 5 is a rear view thereof;
FIG. 6 is a top view thereof; and,
FIG. 7 is a bottom perspective view thereof.
The broken lines shown in the drawings are for the purpose of illustrating portions of the spray gun adapter that form no part of the claim.

1 Claim, 4 Drawing Sheets

(56) **References Cited**

U.S. PATENT DOCUMENTS

- 1,964,255 A * 6/1934 Faast B05B 1/12
239/500
- 2,051,518 A * 8/1936 Cunningham B05B 7/2408
220/325
- D311,573 S * 10/1990 Lewis D23/262
- D346,020 S * 4/1994 Kellogg D23/387
- D368,304 S * 3/1996 Morrison D23/262
- D387,146 S * 12/1997 Morrison D23/262



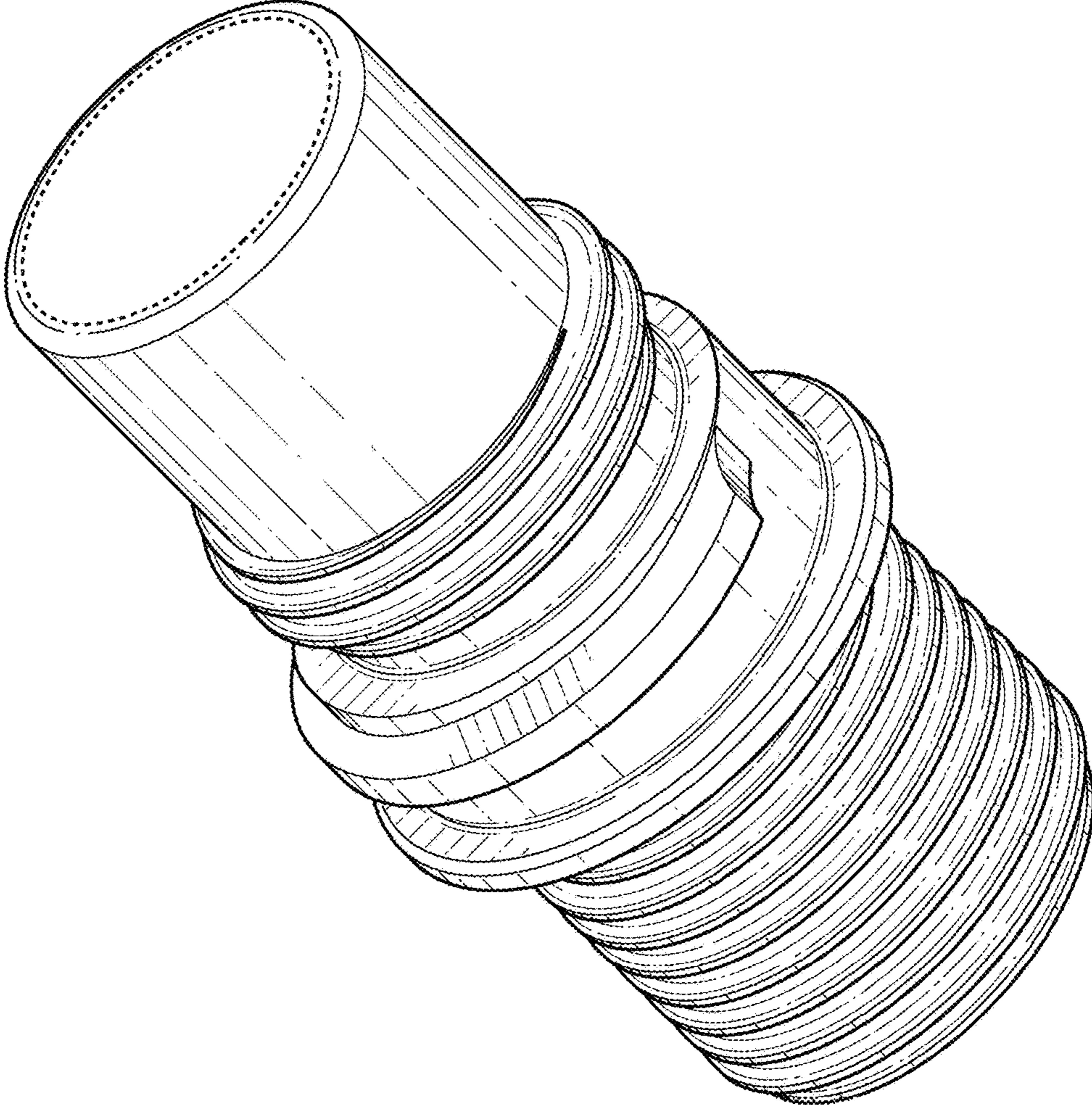


FIG. 1

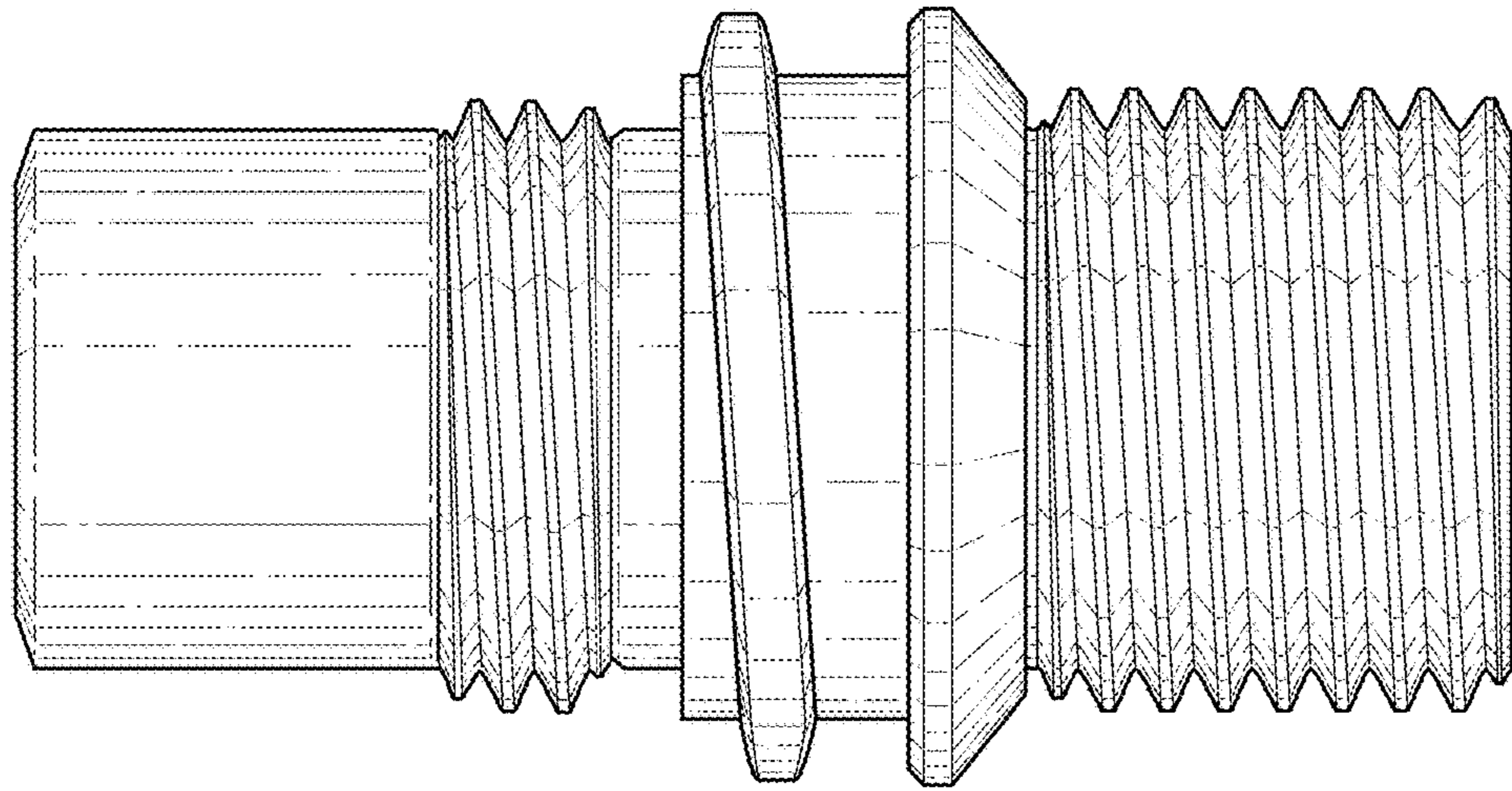


FIG. 3

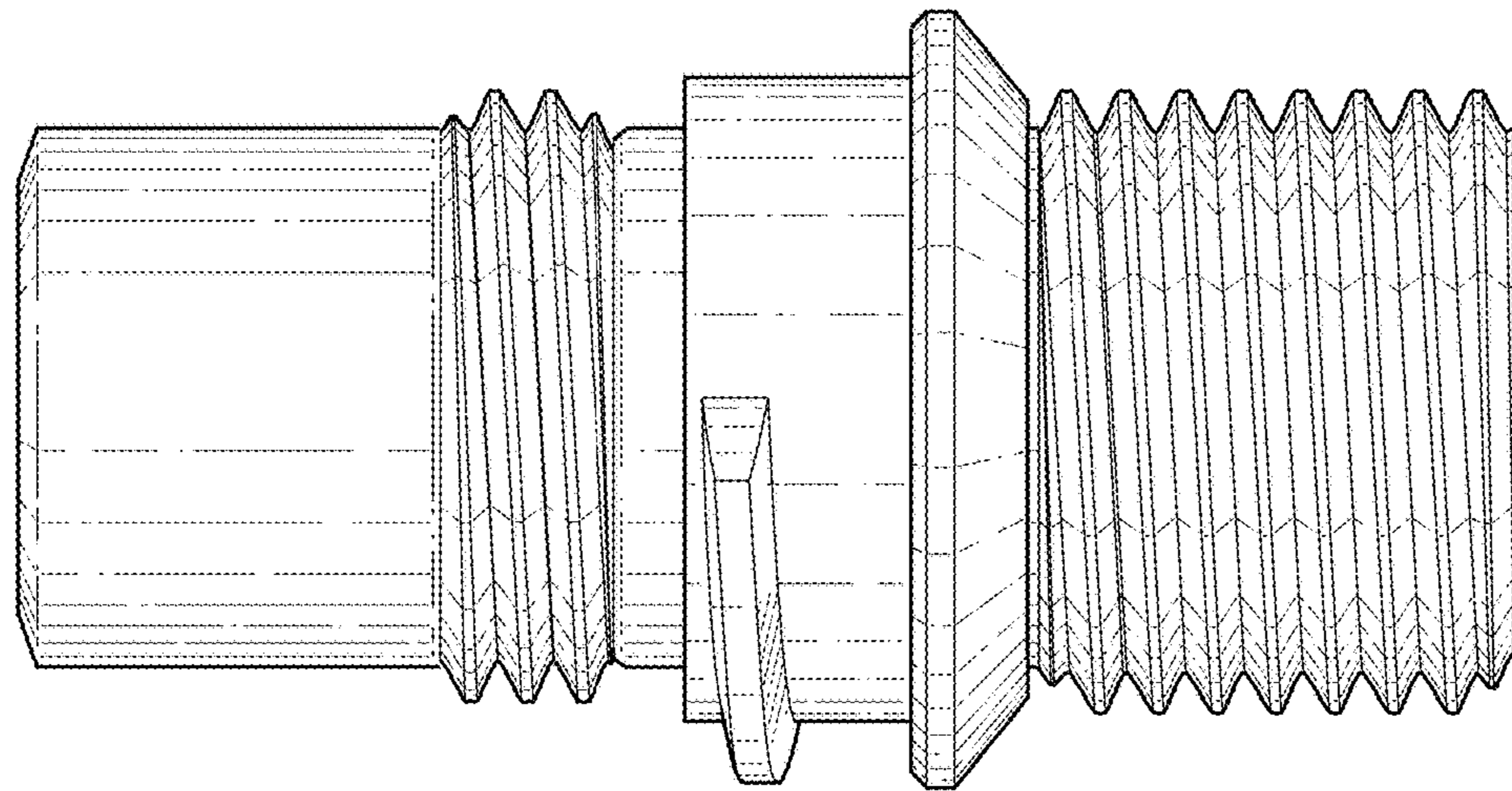


FIG. 2

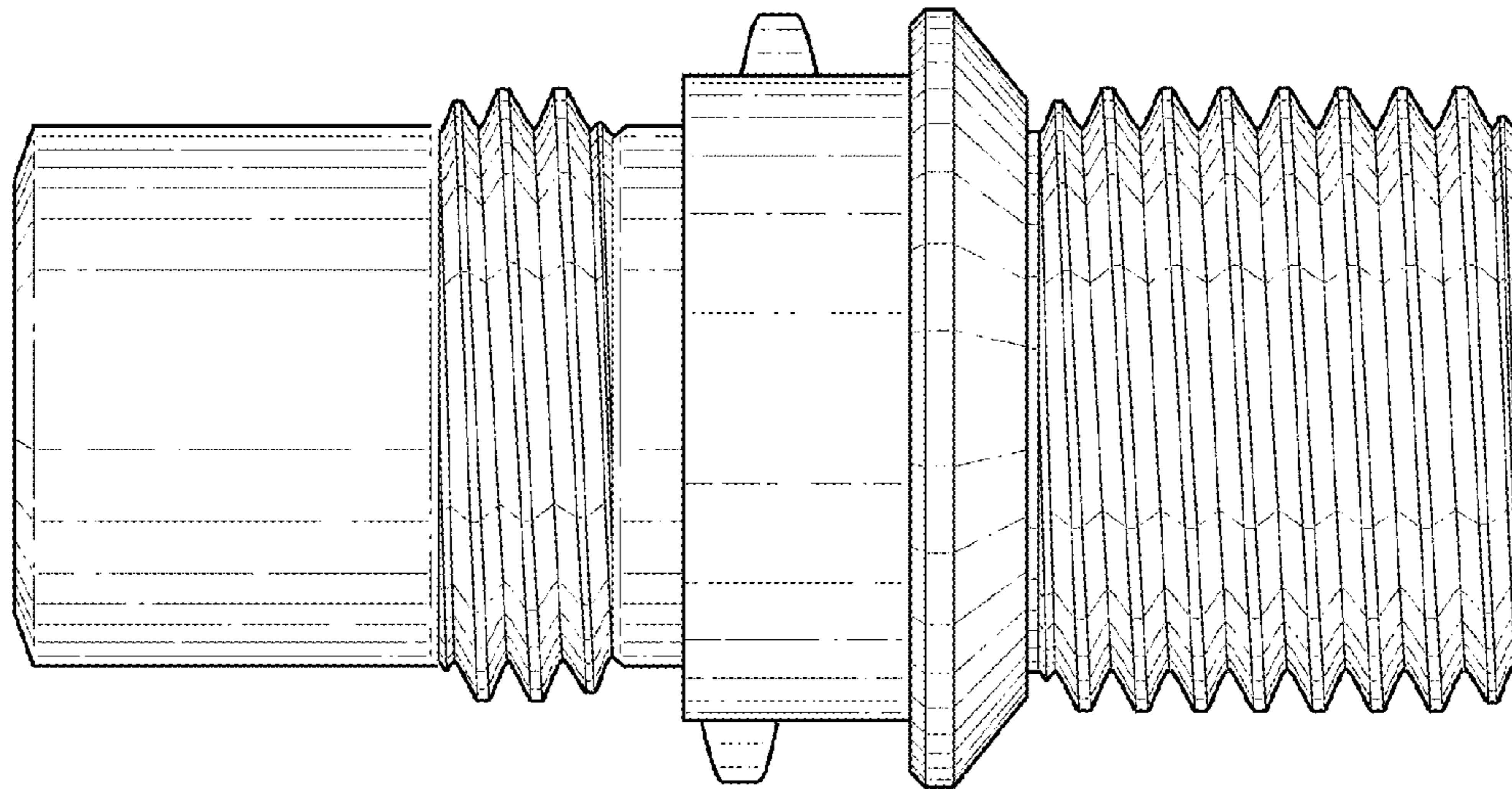


FIG. 5

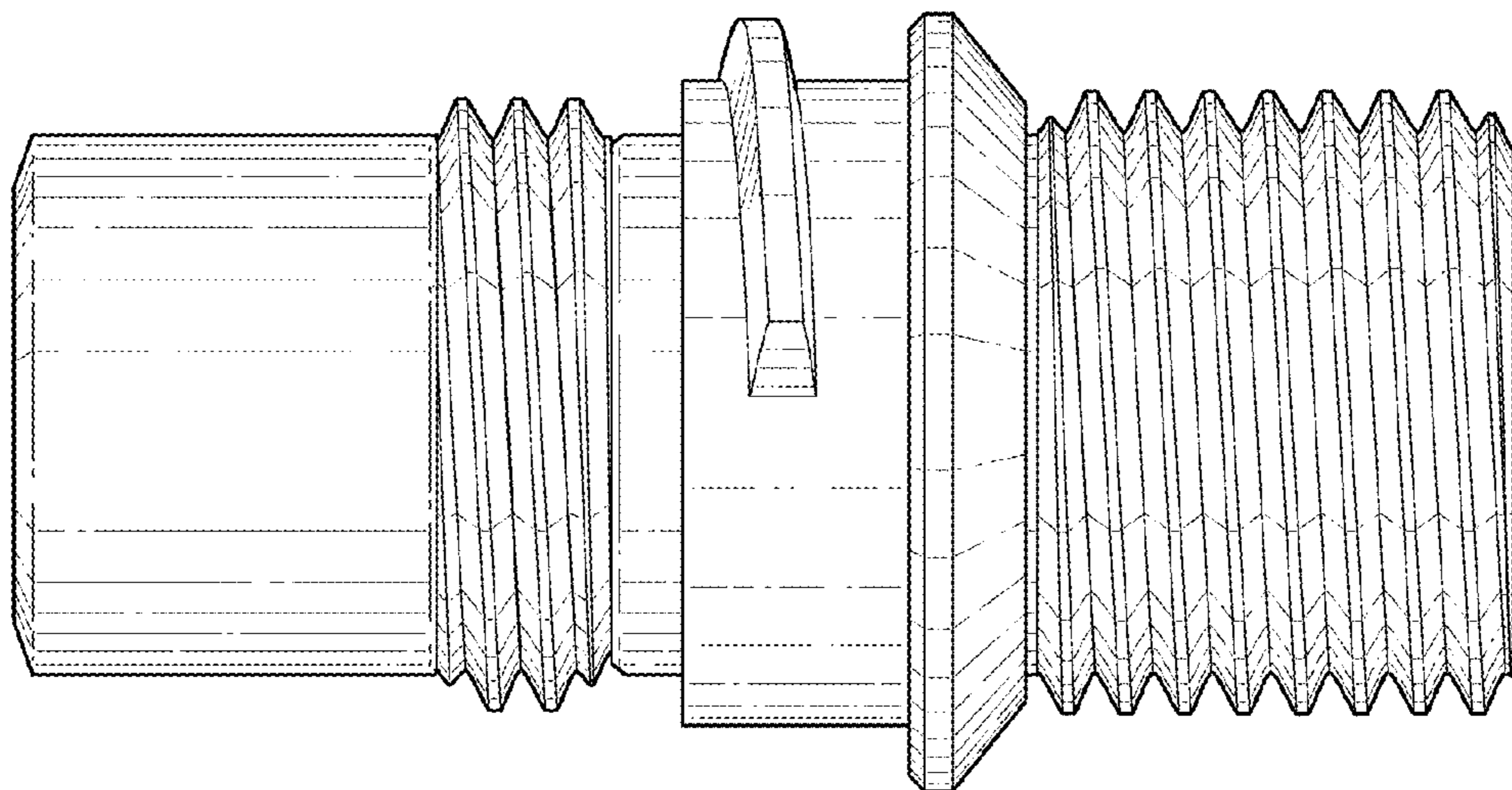


FIG. 4

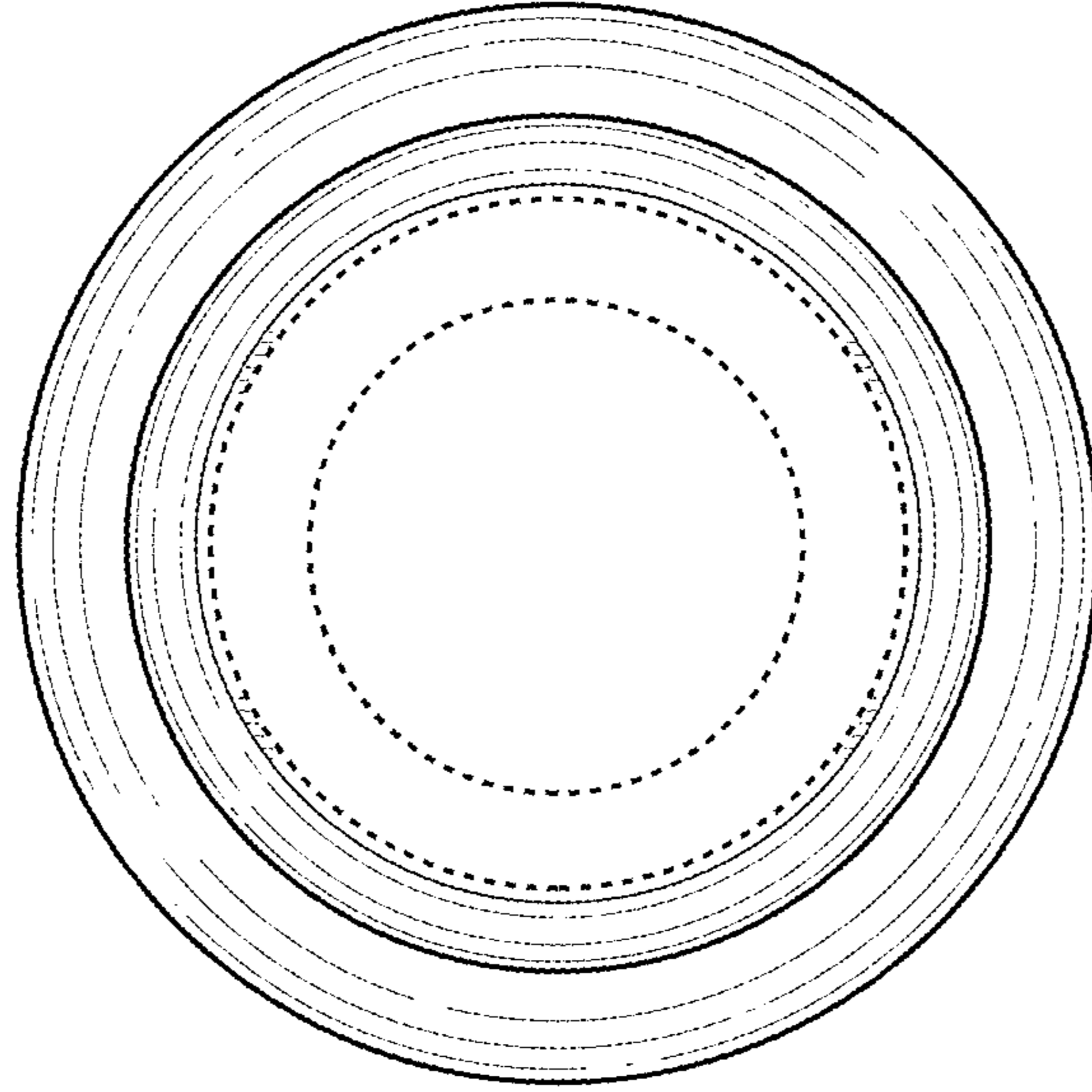


FIG. 7

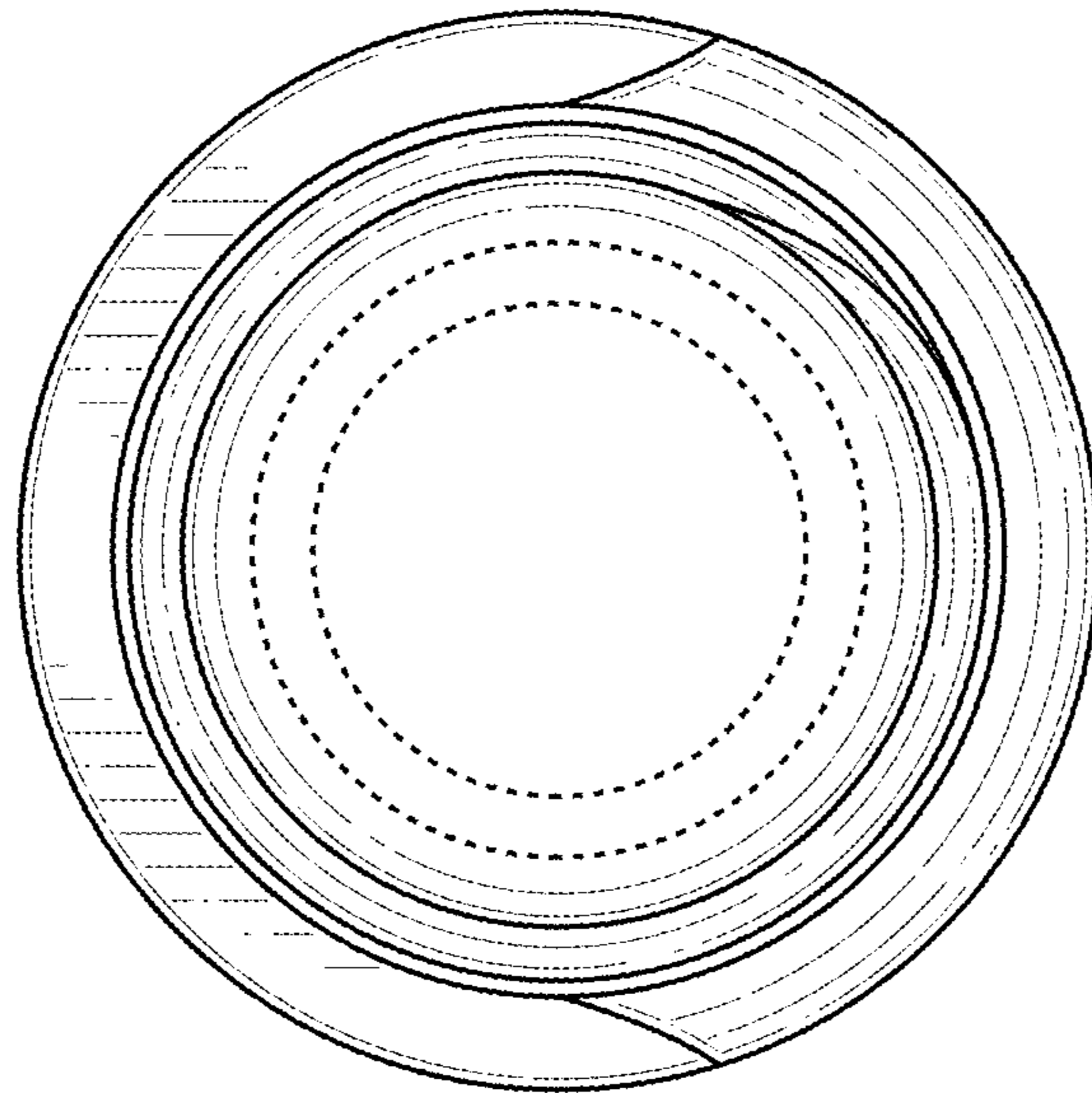


FIG. 6