



US00D851737S

(12) **United States Design Patent**  
**Krombein**

(10) **Patent No.:** **US D851,737 S**  
(45) **Date of Patent:** **\*\* Jun. 18, 2019**

- (54) **DRAIN APPARATUS**
- (71) Applicant: **Todd Krombein**, Phoenix, AZ (US)
- (72) Inventor: **Todd Krombein**, Phoenix, AZ (US)
- (\*\*) Term: **15 Years**
- (21) Appl. No.: **29/571,552**
- (22) Filed: **Jul. 19, 2016**
- (51) **LOC (11) Cl.** ..... **23-01**
- (52) **U.S. Cl.**  
USPC ..... **D23/259**
- (58) **Field of Classification Search**  
USPC ..... D23/259-261, 262, 208-210, 267-268,  
D23/386, 397, 400, 406, 304, 235, 269,  
D23/227; 210/164, 163, 156, 459-460;  
4/222.1, 255.07, 286-293, 680-682, 694,  
4/609, 650-653, 294, 490, 496, 541.6,  
4/501, 505, 507; 239/548, 552, 555-556,  
239/558, 592; 137/454.2  
CPC ... E03C 1/23; E03C 1/26; E03C 1/262; E03C  
1/22; E03C 1/264; E03C 1/03; E03C  
1/24; E03C 1/28; E03C 1/298; E03F  
5/0404; E03F 5/06; F15D 1/0005; F16L  
11/00; F16L 37/252; E04D 13/0409;  
E04H 4/1236; E04H 4/169; B08B 9/0936  
See application file for complete search history.

8,713,724 B1 \* 5/2014 Goettl ..... E04H 4/1236  
4/507  
D710,485 S \* 8/2014 Nudo ..... D23/262  
D750,208 S \* 2/2016 VanderBoegh ..... D23/268  
9,267,303 B1 \* 2/2016 Goettl ..... E04H 4/00  
D751,677 S \* 3/2016 Drury ..... D23/262  
(Continued)

**OTHER PUBLICATIONS**

Your Safety Means the World to Us Too, MDX R3 VGB Compliant Debris Drain, Paramount, Chandler, Arizona, USA <http://1paramount.com/products/aapdf/MDX3Brochure.pdf>, document available on or before Oct. 22, 2015 (per Internet Archive Wayback Machine, <http://web.archive.org/web/20151022040240/http://www.1paramount.com/products/mdxr3/> linking to <http://web.archive.org/web/20160827052434/http://1paramount.com/products/aapdf/MDX3Brochure.pdf>) Accessed on Nov. 7, 2016, 9 pages.

*Primary Examiner* — Eric L Goodman  
*Assistant Examiner* — Amy C Wierenga  
(74) *Attorney, Agent, or Firm* — Knobbe, Martens, Olson & Bear, LLP

(57) **CLAIM**

The ornamental design for a drain apparatus, as shown and described.

**DESCRIPTION**

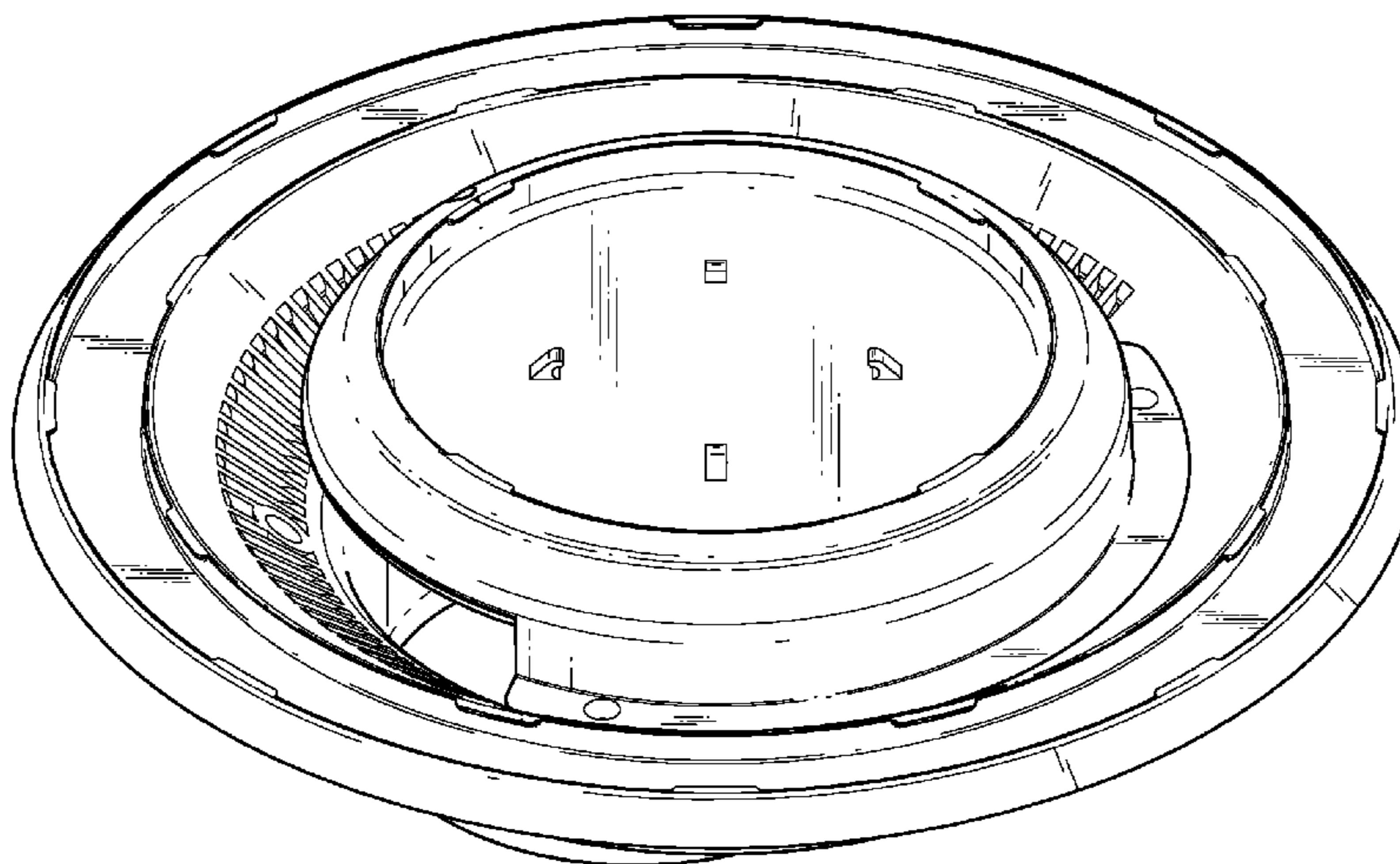
FIG. 1 is a top-side isometric view of drain apparatus; FIG. 2 is an exploded top-side isometric view thereof; FIG. 3 is a bottom-side isometric view thereof; FIG. 4 is a first side view thereof; FIG. 5 is a second side view thereof; FIG. 6 is a third side view thereof; FIG. 7 is a fourth side view thereof; FIG. 8 is a top view thereof; FIG. 9 is a bottom view thereof; and, FIG. 10 is a cross-sectional side view taken along line 10-10 of FIG. 8.

**1 Claim, 8 Drawing Sheets**

(56) **References Cited**

**U.S. PATENT DOCUMENTS**

D398,997 S *	9/1998	Taylor	.....	D23/386
D439,637 S *	3/2001	Davies	.....	D23/262
6,340,035 B2	1/2002	Wright		
6,810,537 B1	11/2004	Barnes et al.		
D578,619 S *	10/2008	Rattenbury	.....	D23/261
D598,523 S *	8/2009	McAlpine	.....	D23/268
D598,987 S *	8/2009	McAlpine	.....	D23/268
D614,267 S *	4/2010	Breda	.....	D23/261
D626,208 S *	10/2010	Clements	.....	D23/365
D665,491 S *	8/2012	Goel	.....	D15/144



(56)

**References Cited**

U.S. PATENT DOCUMENTS

D779,315 S \* 2/2017 Hinkle ..... D23/262  
D792,962 S \* 7/2017 Honeyball ..... D23/386  
2016/0258146 A1\* 9/2016 Sisto ..... E03F 5/06

\* cited by examiner

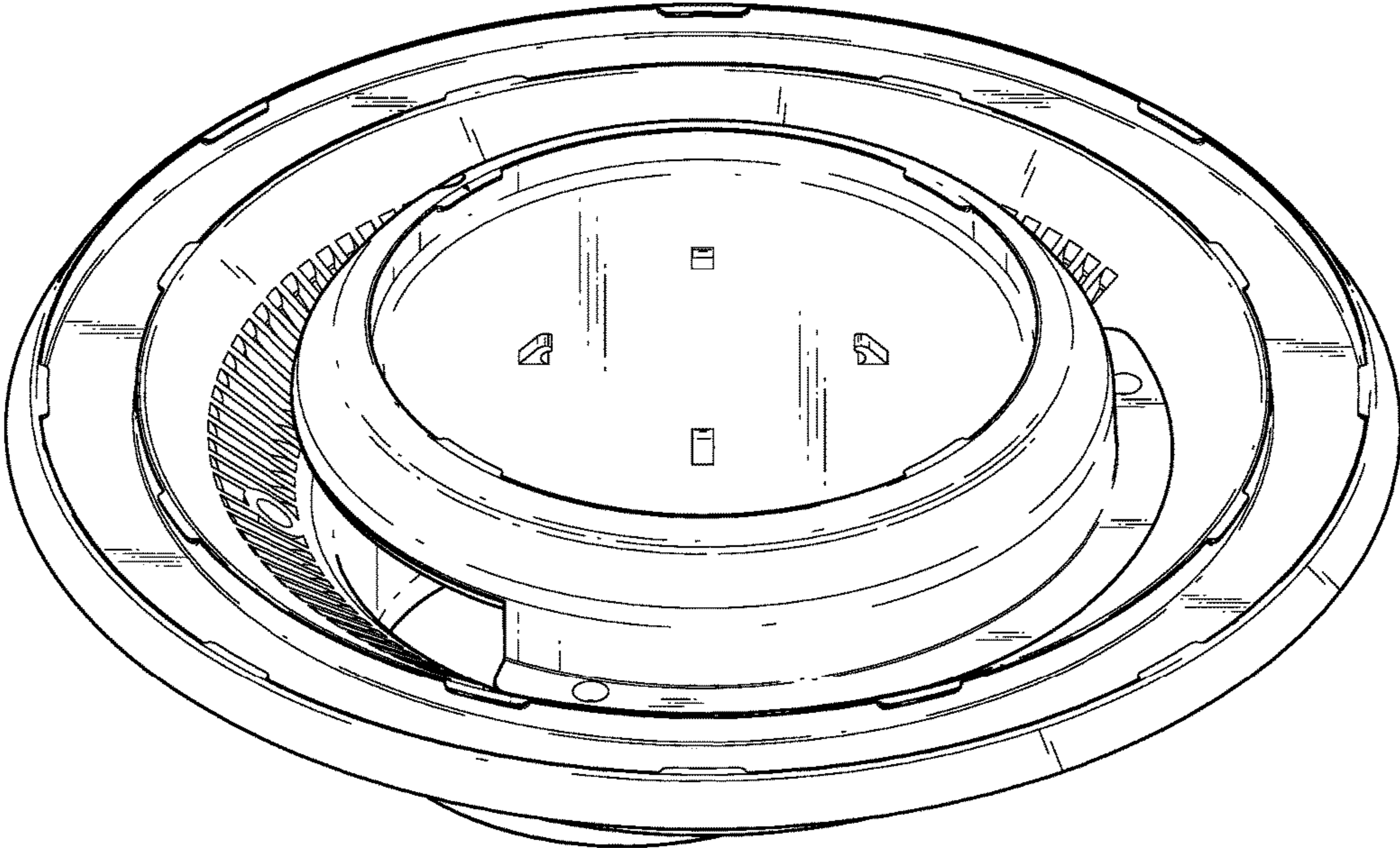
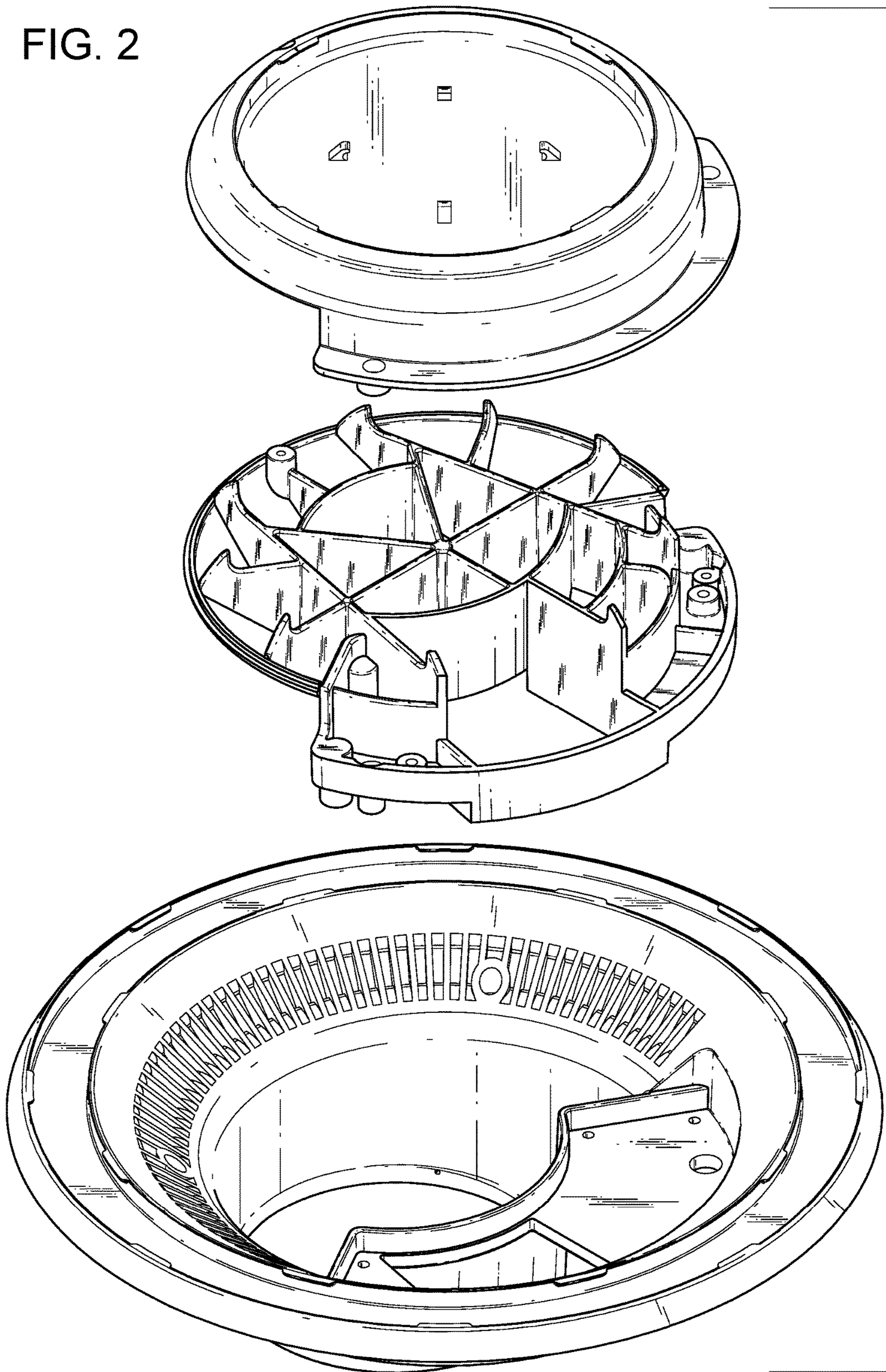


FIG. 1

FIG. 2



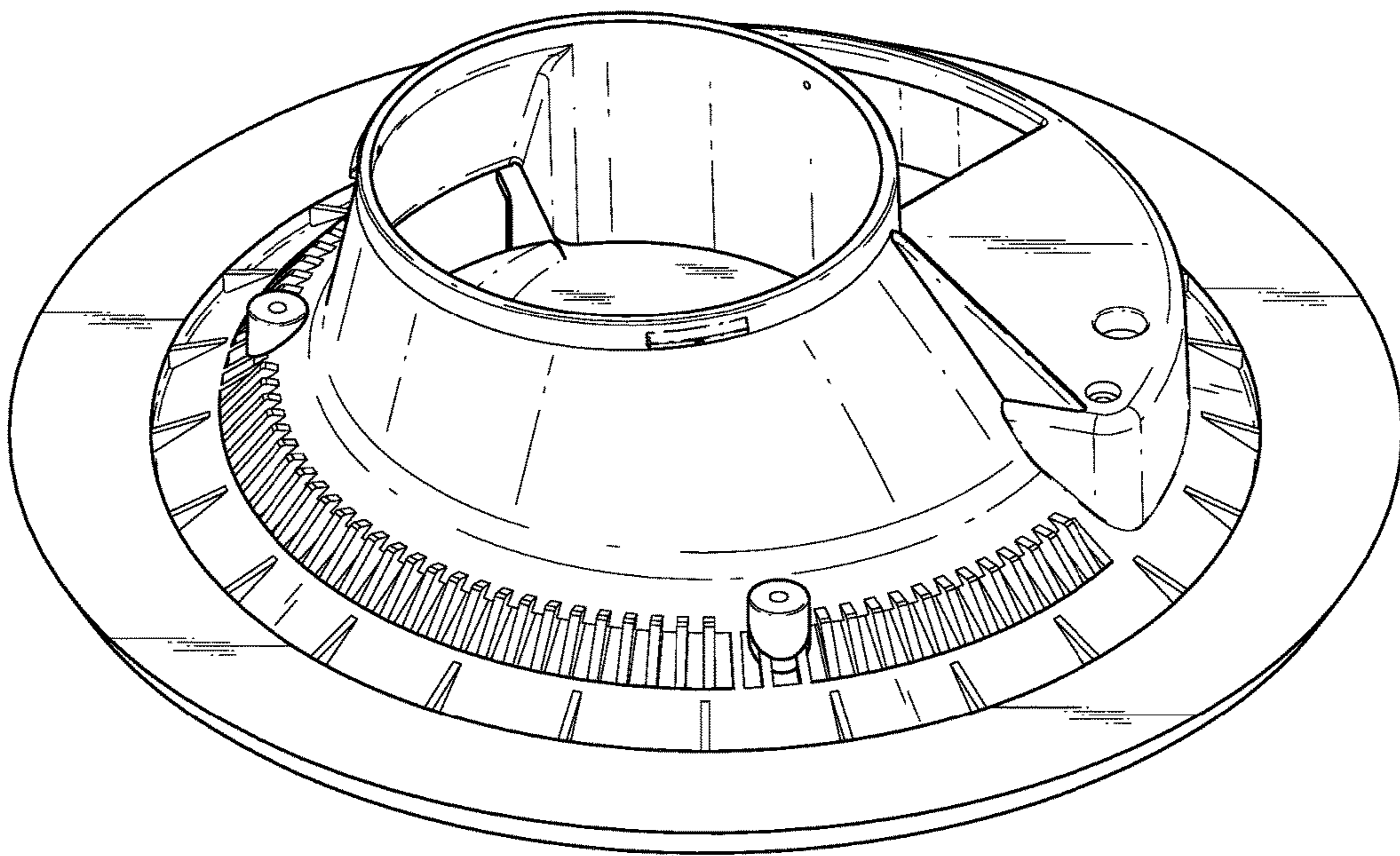


FIG. 3

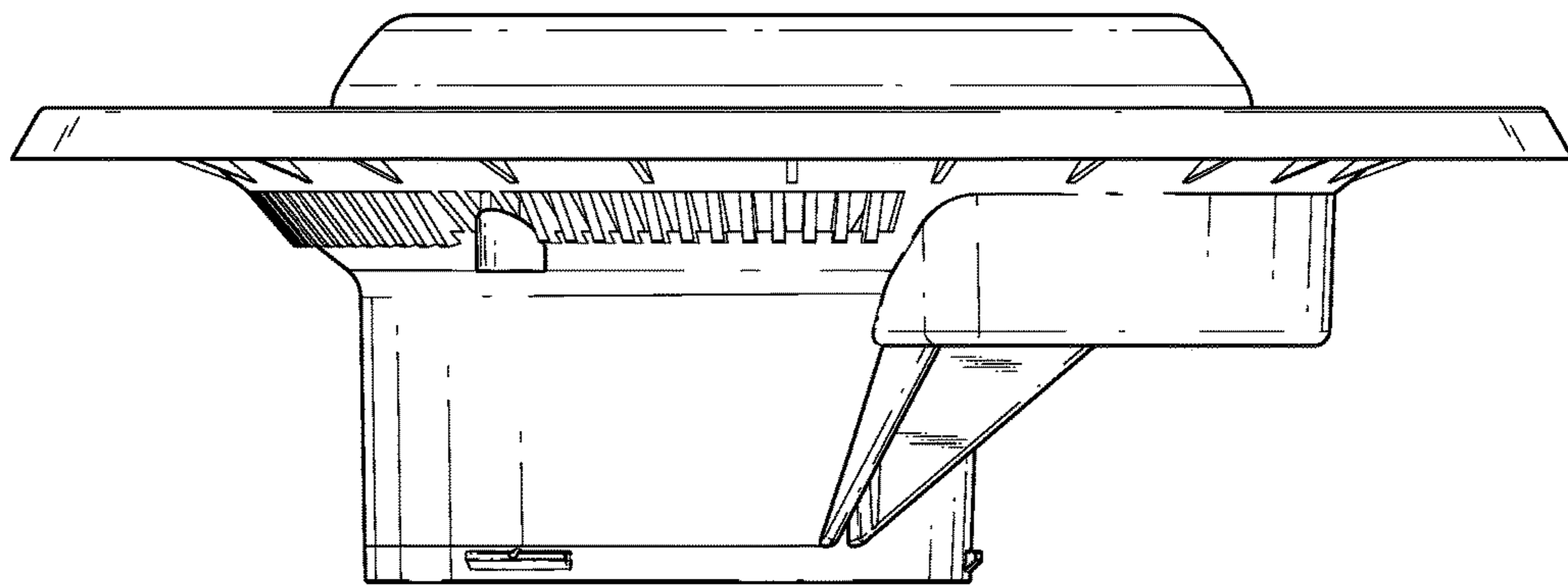


FIG. 4

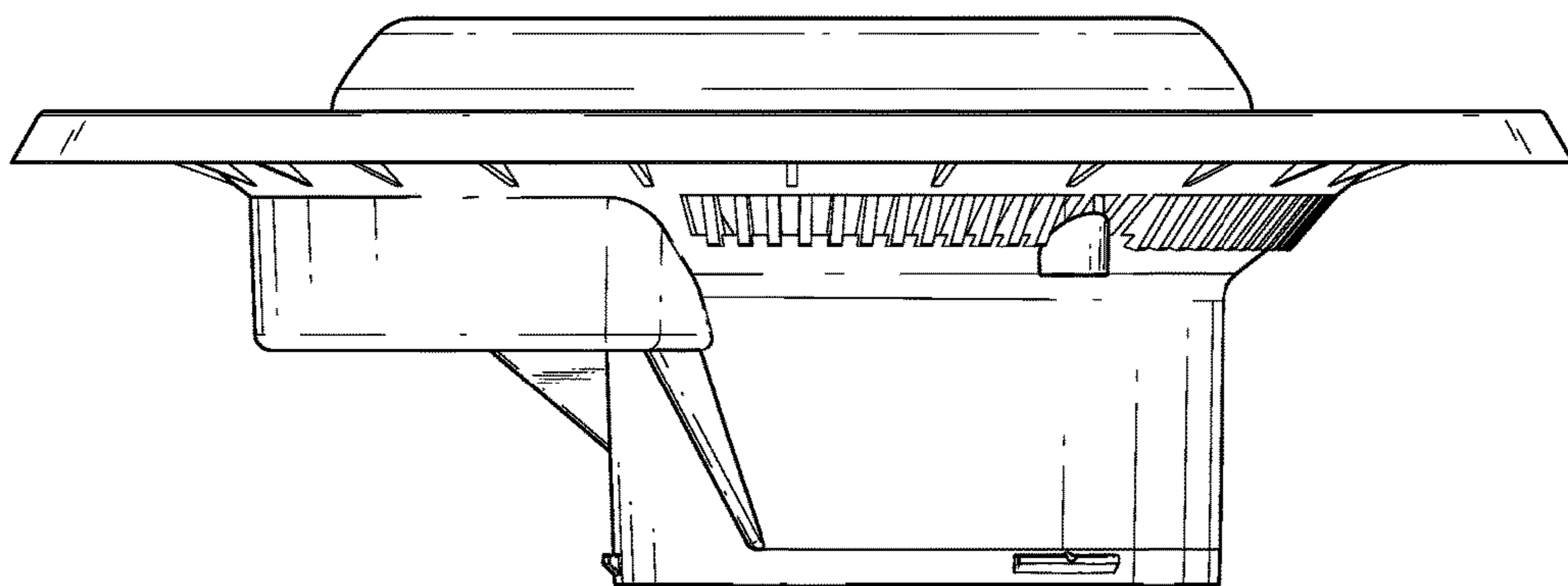


FIG. 5

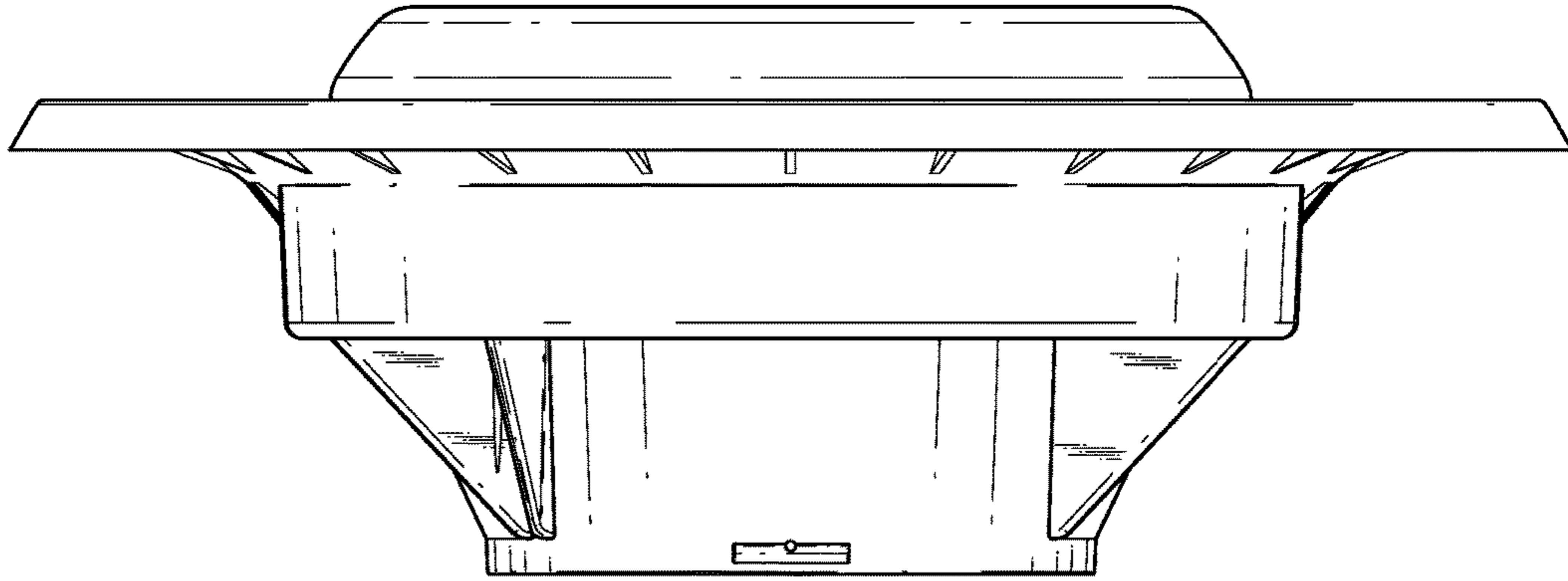


FIG. 6

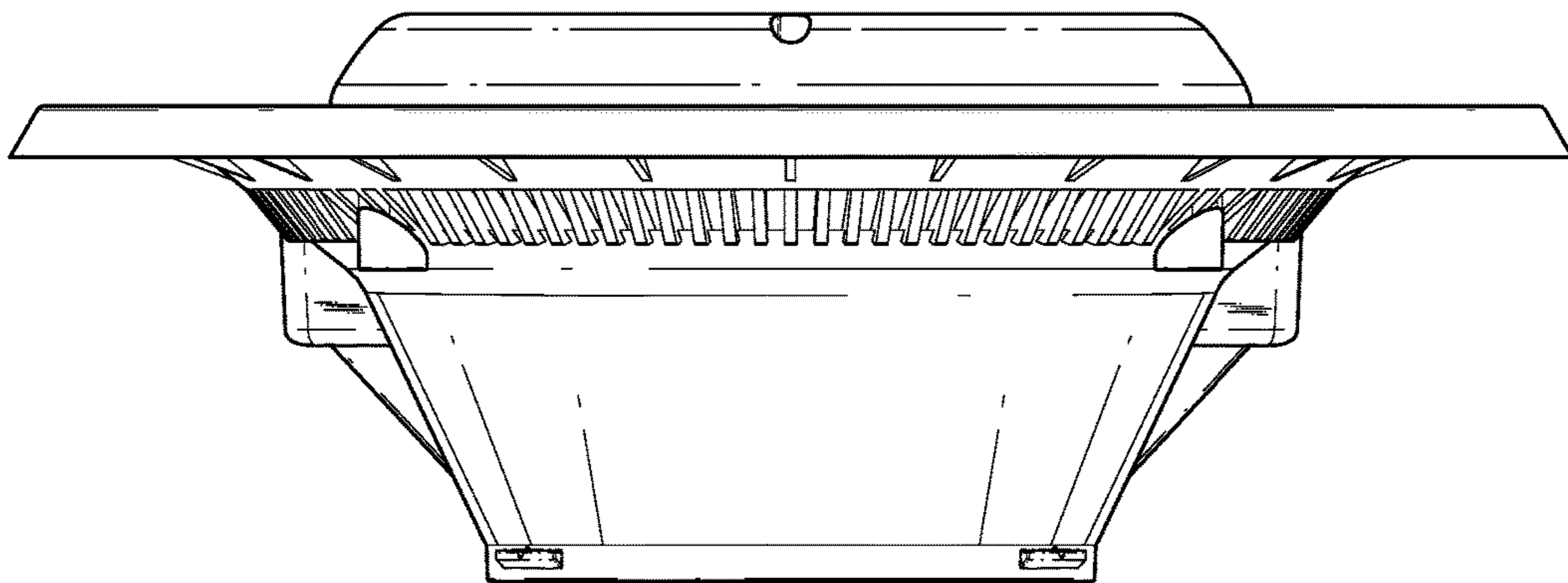


FIG. 7

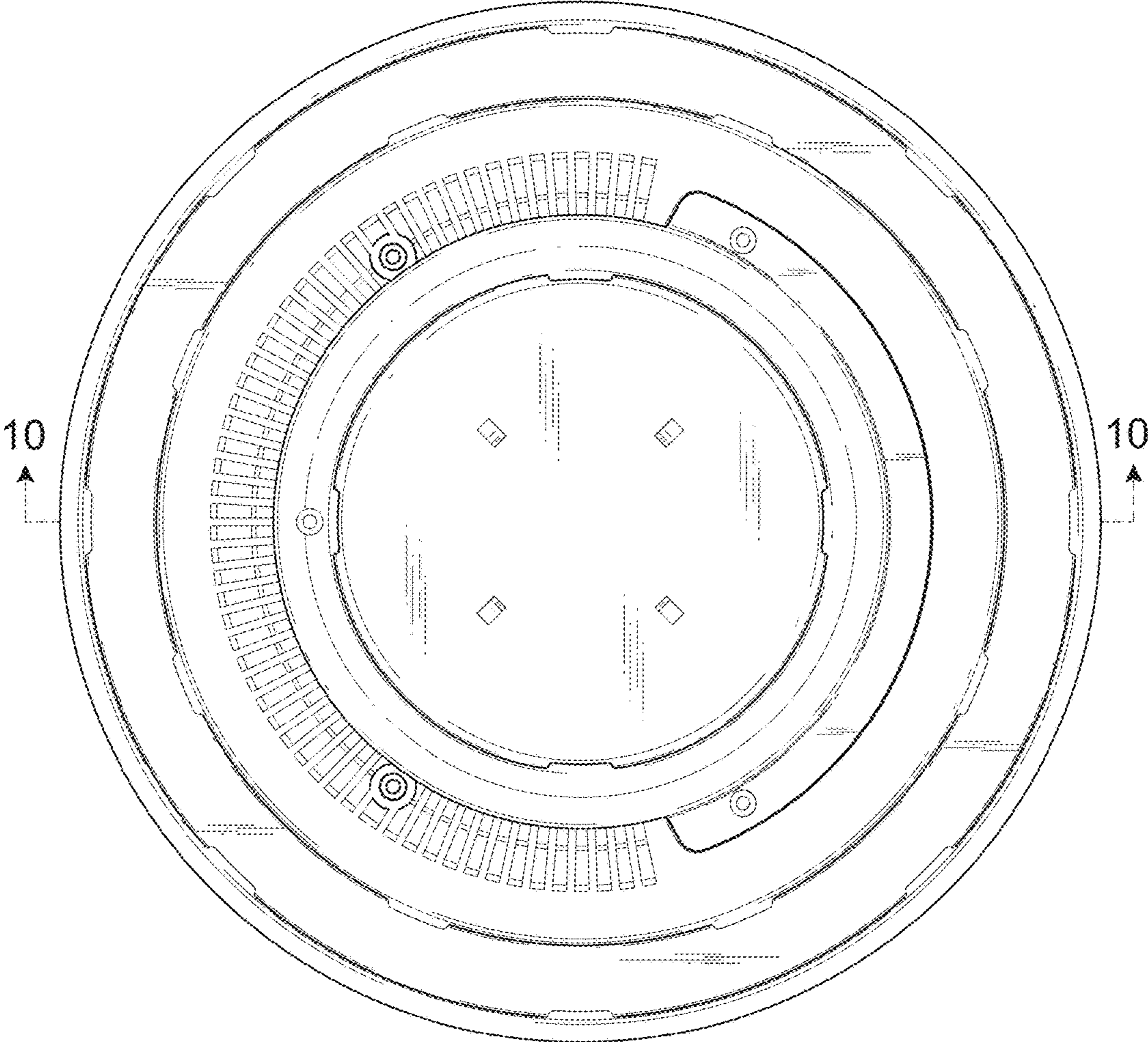


FIG. 8



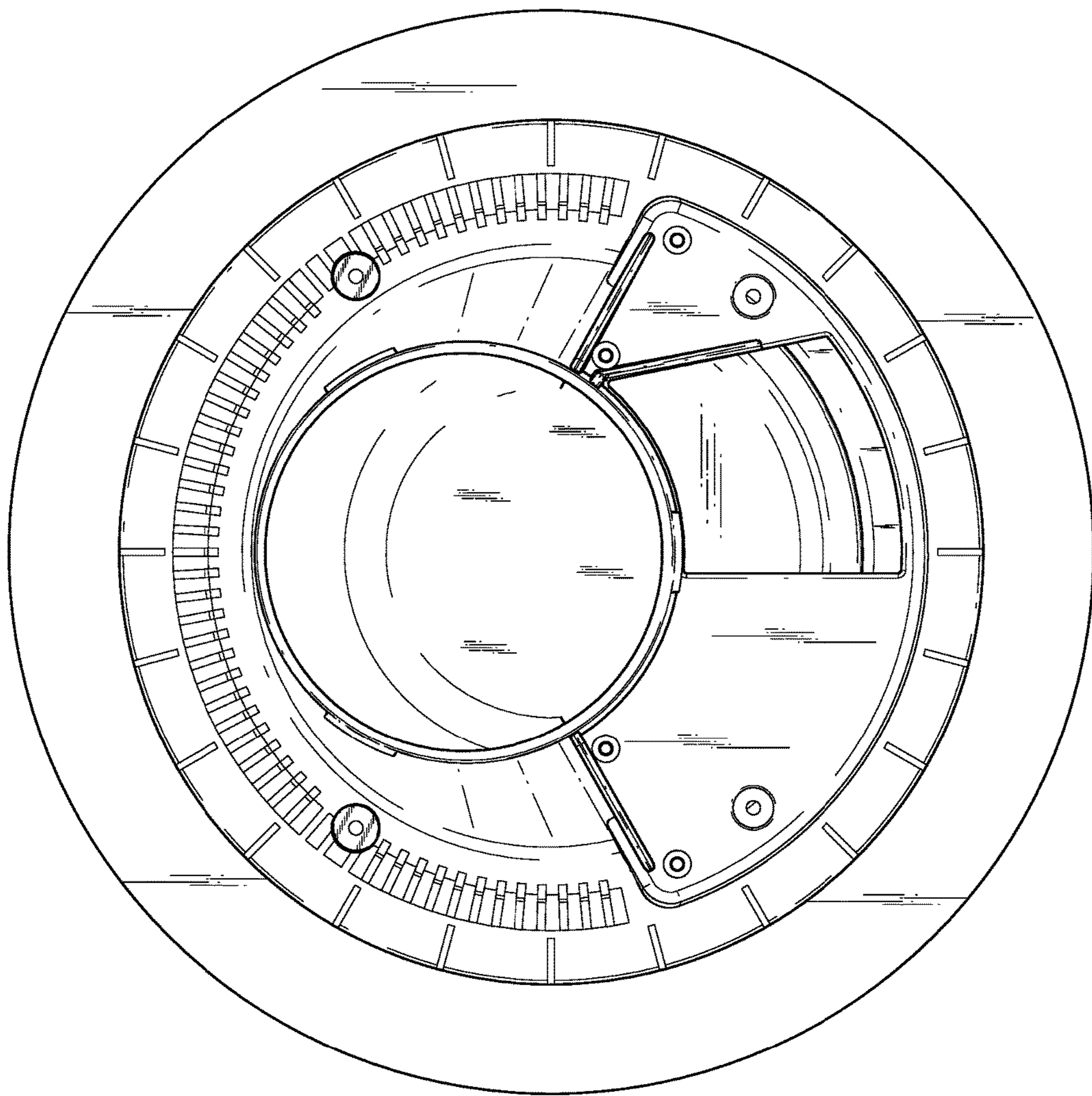


FIG. 9

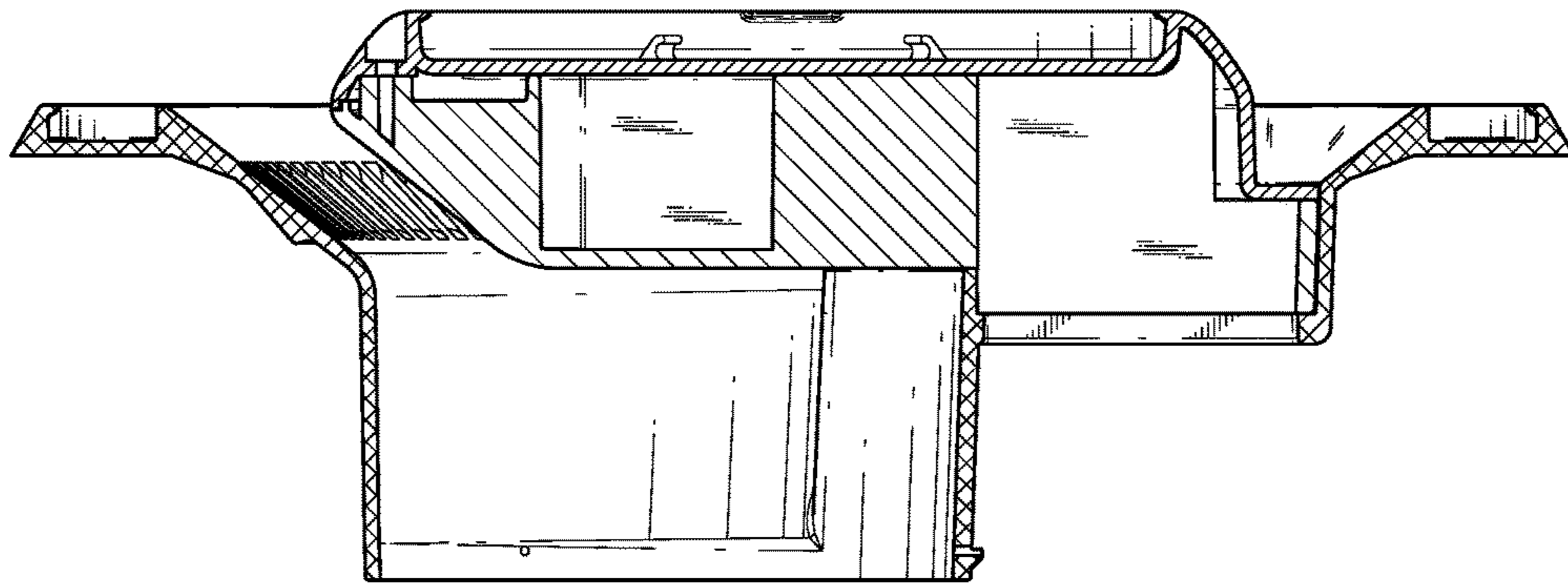


FIG. 10