



US00D851736S

(12) **United States Design Patent**
Bahler

(10) **Patent No.:** **US D851,736 S**

(45) **Date of Patent:** **** Jun. 18, 2019**

(54) **FAUCET HANDLE**

(71) Applicant: **DELTA FAUCET COMPANY,**
Indianapolis, IN (US)

(72) Inventor: **Jordan Bahler,** Frankfort, IN (US)

(73) Assignee: **DELTA FAUCET COMPANY,**
Indianapolis, IN (US)

(**) Term: **15 Years**

(21) Appl. No.: **29/646,309**

(22) Filed: **May 3, 2018**

(51) **LOC (11) Cl.** **23-01**

(52) **U.S. Cl.**
USPC **D23/252**

(58) **Field of Classification Search**
USPC D23/250, 252, 254, 309, 313;
D8/307-308; D06/530
CPC Y10T 137/9464
See application file for complete search history.

(56) **References Cited**

U.S. PATENT DOCUMENTS

D320,335 S * 10/1991 Bengtson D23/252
D477,860 S * 7/2003 Singtoroj D23/252
D521,607 S * 5/2006 Blomstrom D23/252
D531,266 S * 10/2006 Tsai D23/234

D581,021 S * 11/2008 Gilbert D23/252
D587,786 S * 3/2009 Williams D23/252
7,748,406 B2 * 7/2010 Pilatowicz E03C 1/08
137/603
D700,957 S * 3/2014 Mendoza D23/254
D757,908 S * 5/2016 Fritz D23/252
D789,489 S * 6/2017 Garland D23/252
D810,885 S * 2/2018 Bahler D23/252

* cited by examiner

Primary Examiner — Robert A Delehanty

(74) *Attorney, Agent, or Firm* — Edgar A. Zarins; Nirav D. Parikh

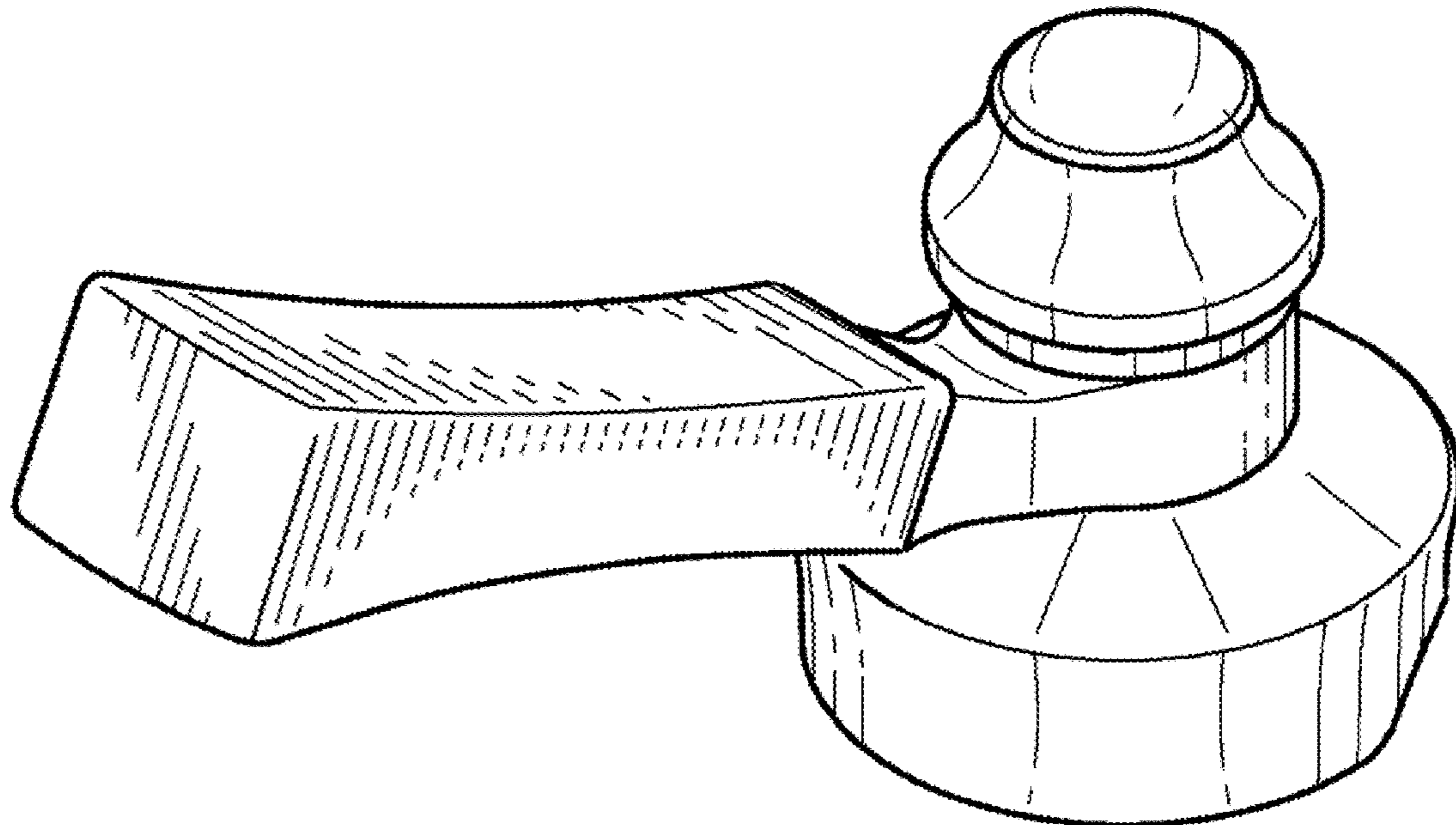
(57) **CLAIM**

The ornamental design for a faucet handle, as shown and described.

DESCRIPTION

FIG. 1 is a perspective view of a faucet handle showing my new design;
FIG. 2 is a top plan view thereof;
FIG. 3 is a bottom view thereof;
FIG. 4 is a first side view thereof, the opposite side being a mirror image of the side shown;
FIG. 5 is a first end view thereof; and,
FIG. 6 is a second end view thereof.
The broken-line disclosure in the view represents a portion of the faucet handle in which the claimed design is embodied, but which forms no part of the claimed design.

1 Claim, 2 Drawing Sheets



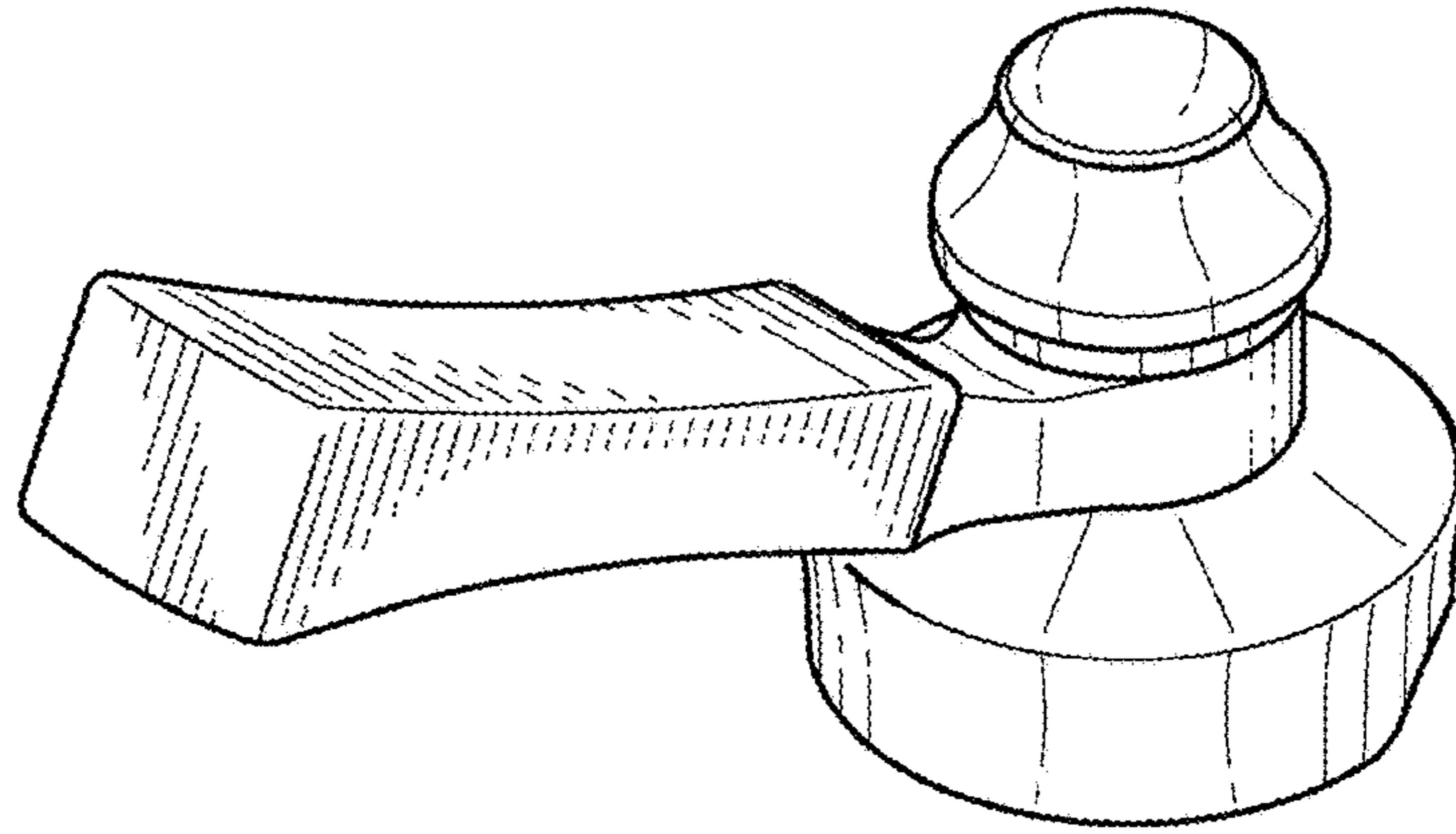


Fig-1

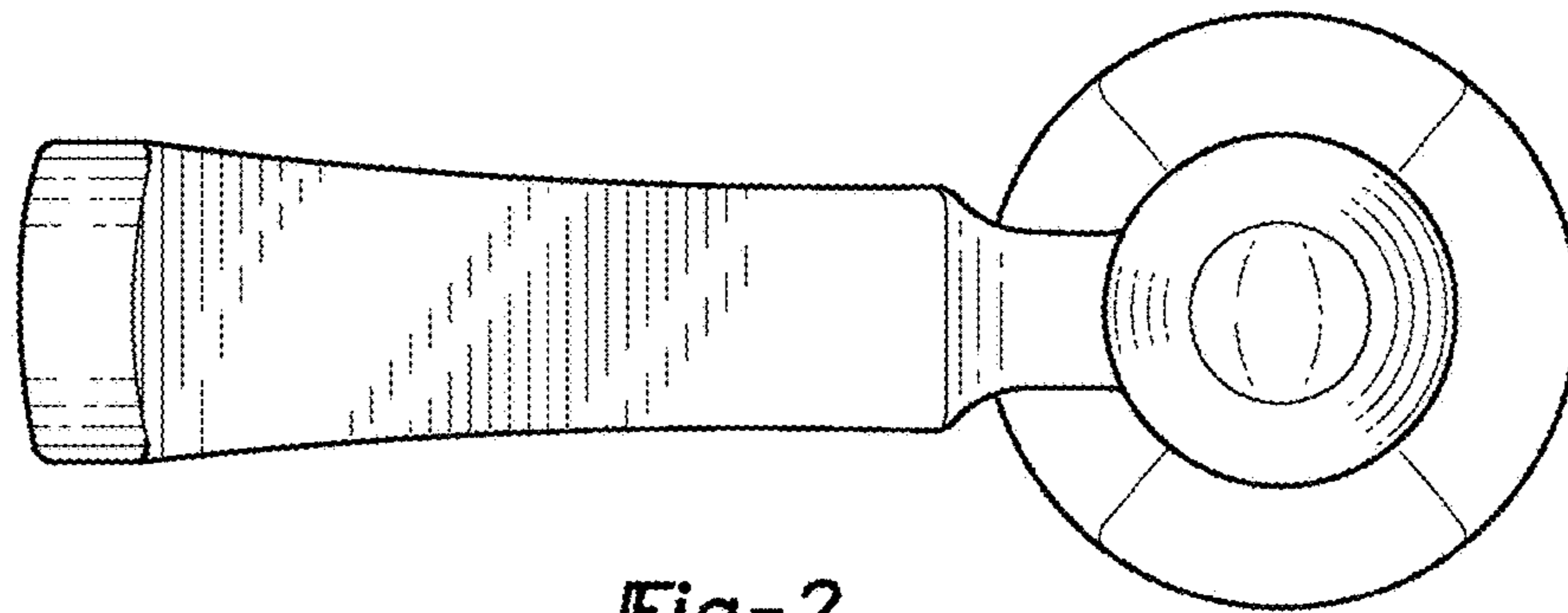


Fig-2

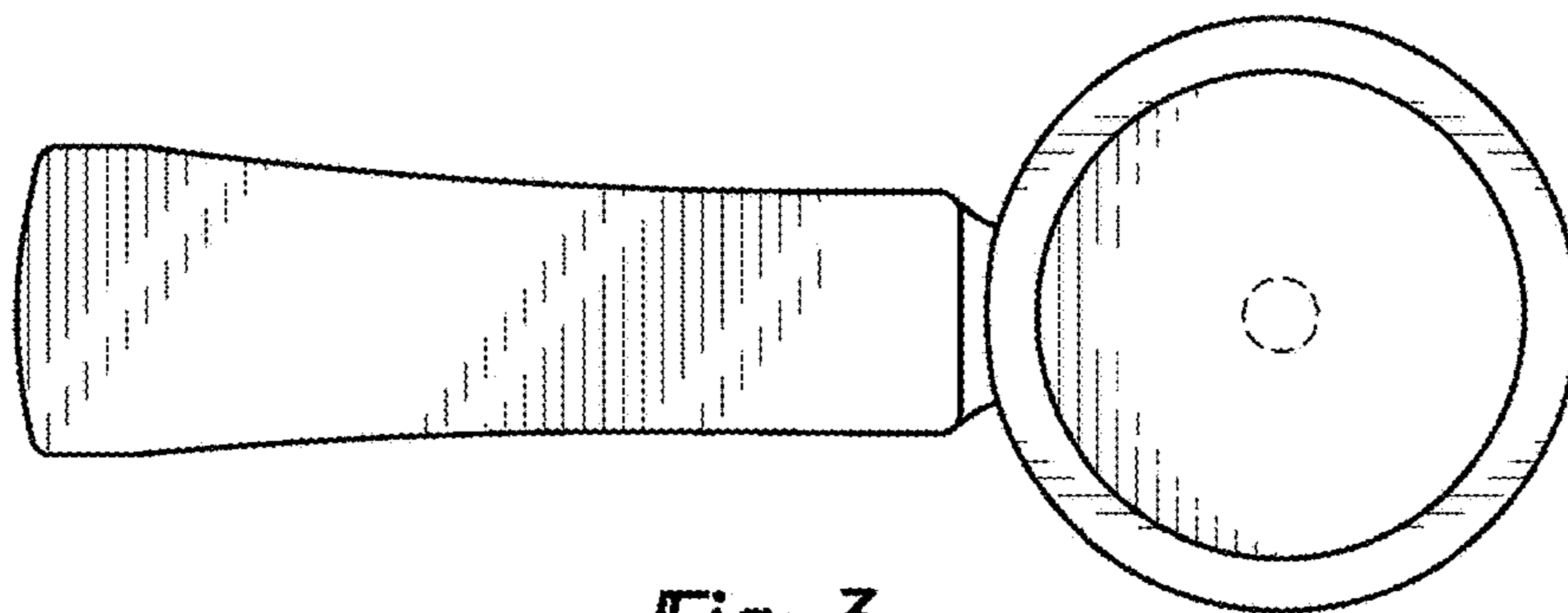


Fig-3

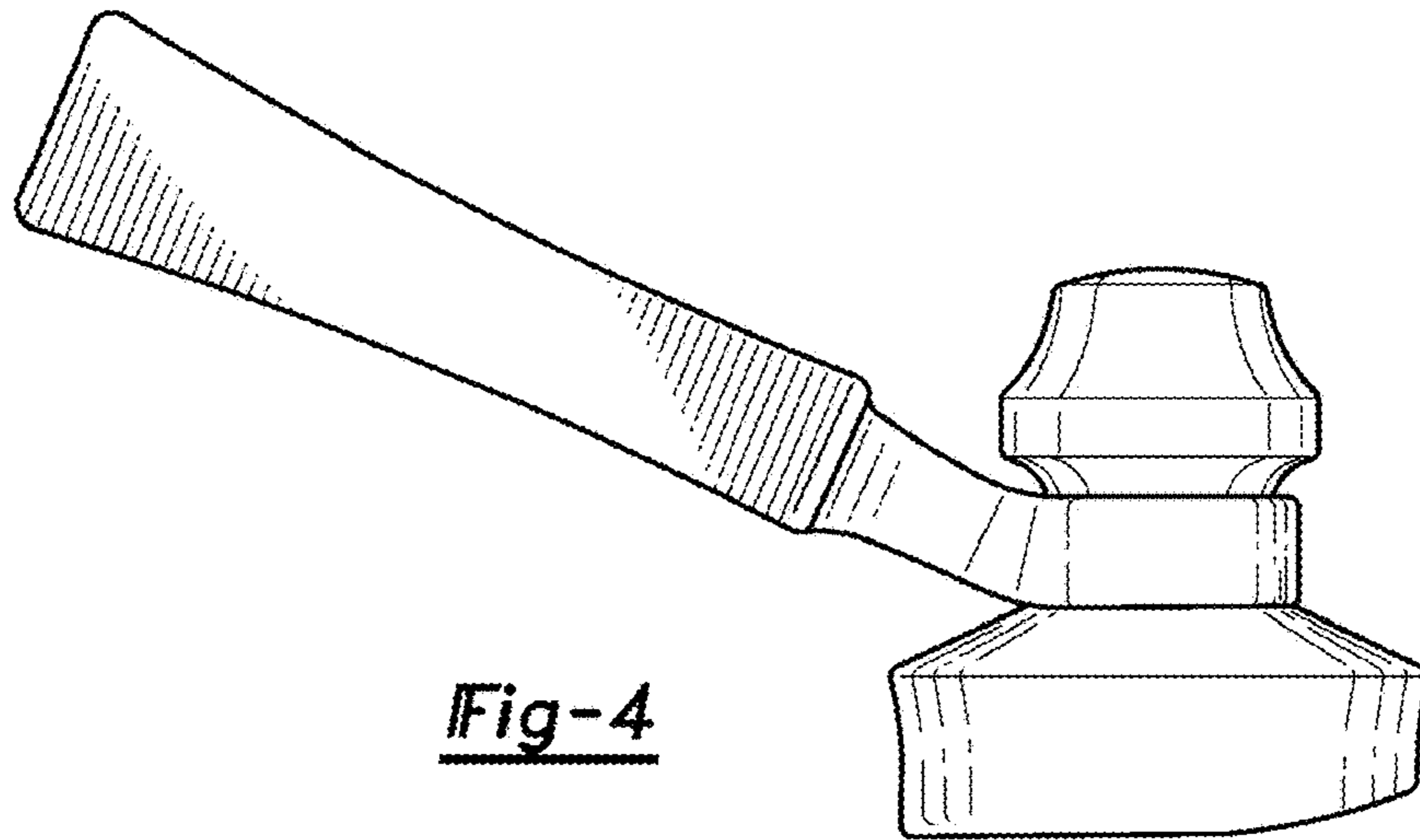


Fig-4

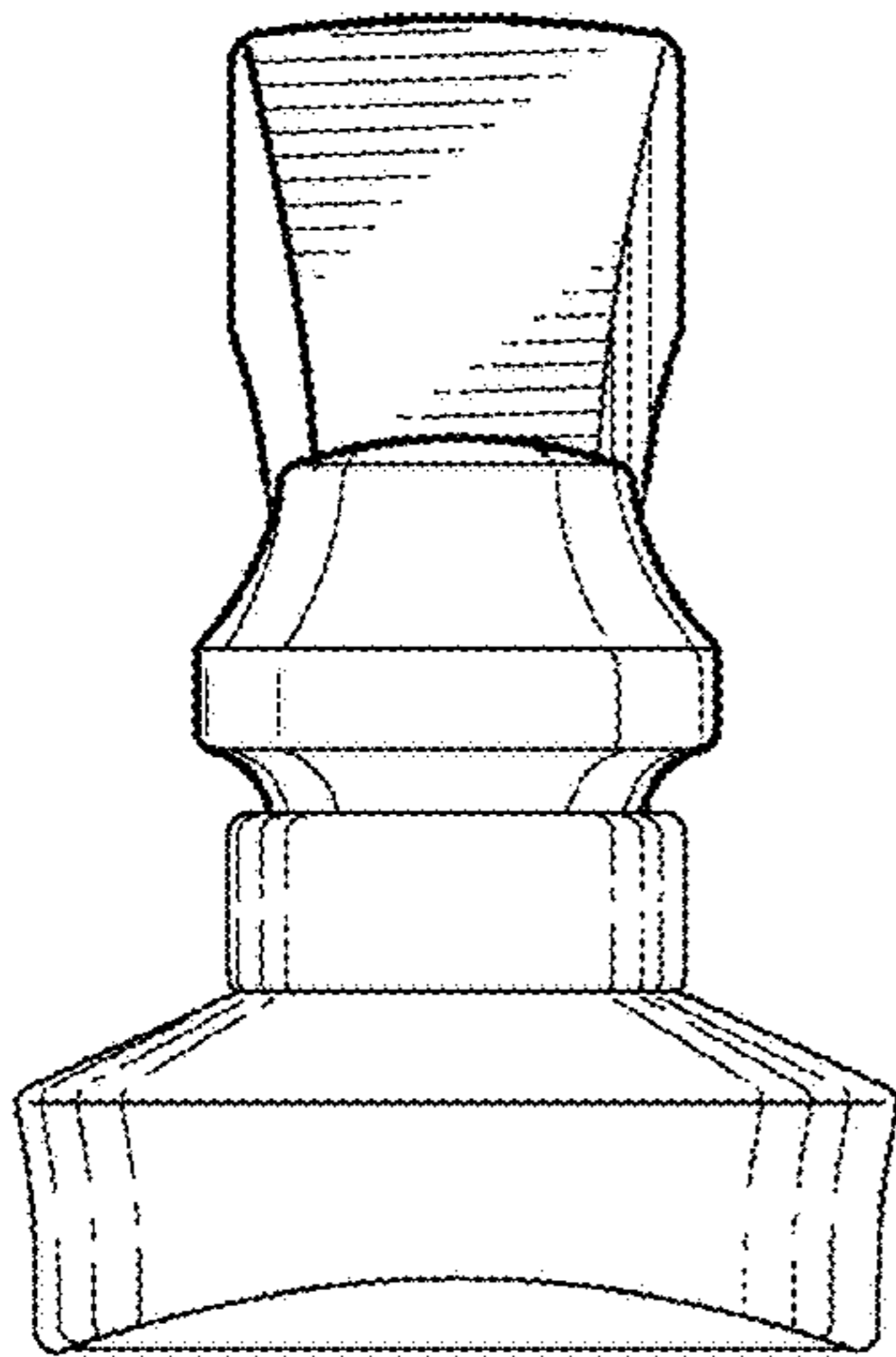


Fig-5

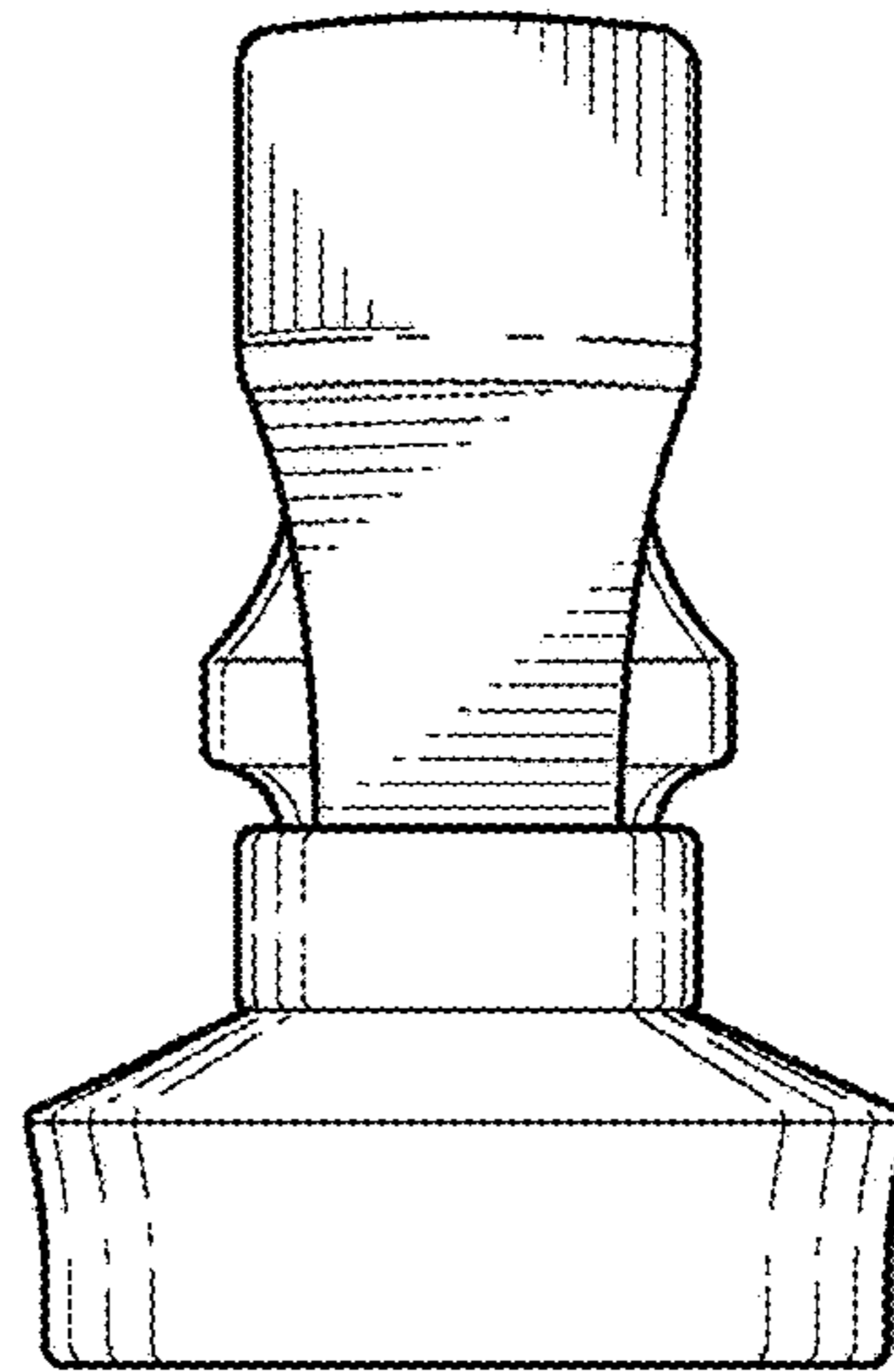


Fig-6