



US00D851735S

(12) **United States Design Patent**
Bahler

(10) **Patent No.:** **US D851,735 S**
(45) **Date of Patent:** **** Jun. 18, 2019**

- (54) **LEVER**
- (71) Applicant: **DELTA FAUCET COMPANY**,
Indianapolis, IN (US)
- (72) Inventor: **Jordan Bahler**, Frankfort, IN (US)
- (73) Assignee: **DELTA FAUCET COMPANY**,
Indianapolis, IN (US)
- (**) Term: **15 Years**
- (21) Appl. No.: **29/646,137**
- (22) Filed: **May 2, 2018**
- (51) **LOC (11) Cl.** **23-01**
- (52) **U.S. Cl.**
USPC **D23/252**
- (58) **Field of Classification Search**
USPC D23/250, 252, 254, 309, 313;
D8/307-308; D6/530
CPC Y10T 137/9464
See application file for complete search history.

D581,021 S *	11/2008	Gilbert	D23/252
D587,786 S *	3/2009	Williams	D23/252
7,748,406 B2 *	7/2010	Pilatowicz	E03C 1/08 137/603
D700,957 S *	3/2014	Mendoza	D23/254
D757,908 S *	5/2016	Fritz	D23/252
D789,489 S *	6/2017	Garland	D23/252
D810,876 S *	2/2018	Bahler	D23/238
D810,885 S *	2/2018	Bahler	D23/252

* cited by examiner

Primary Examiner — Robert A Delehanty
(74) *Attorney, Agent, or Firm* — Edgar A. Zarins; Nirav D. Parikh

(57) **CLAIM**

The ornamental design for a lever, as shown and described.

DESCRIPTION

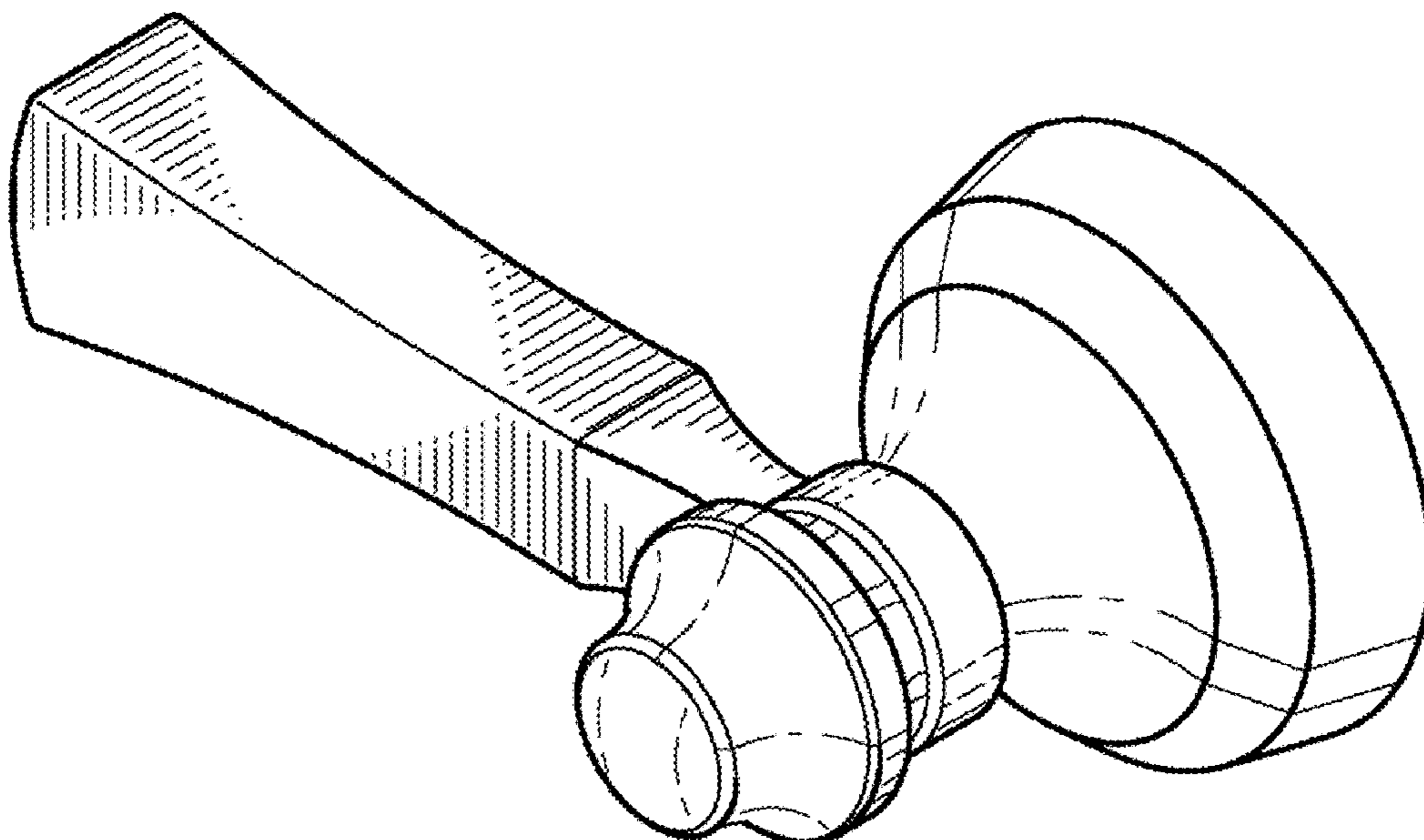
FIG. 1 is a perspective view of a lever showing my new design;
 FIG. 2 is a front elevational view thereof;
 FIG. 3 is a top plan view thereof, the bottom view being a mirror image of the side shown;
 FIG. 4 is a first end view thereof;
 FIG. 5 is a second end view thereof; and,
 FIG. 6 is a rear view thereof.
 The broken-line disclosure in the view represents a portion of the lever in which the claimed design is embodied, but which forms no part of the claimed design.

1 Claim, 2 Drawing Sheets

(56) **References Cited**

U.S. PATENT DOCUMENTS

D320,335 S *	10/1991	Bengtson	D23/252
D477,860 S *	7/2003	Singtoroj	D23/252
D521,607 S *	5/2006	Blomstrom	D23/252
D531,266 S *	10/2006	Tsai	D23/234



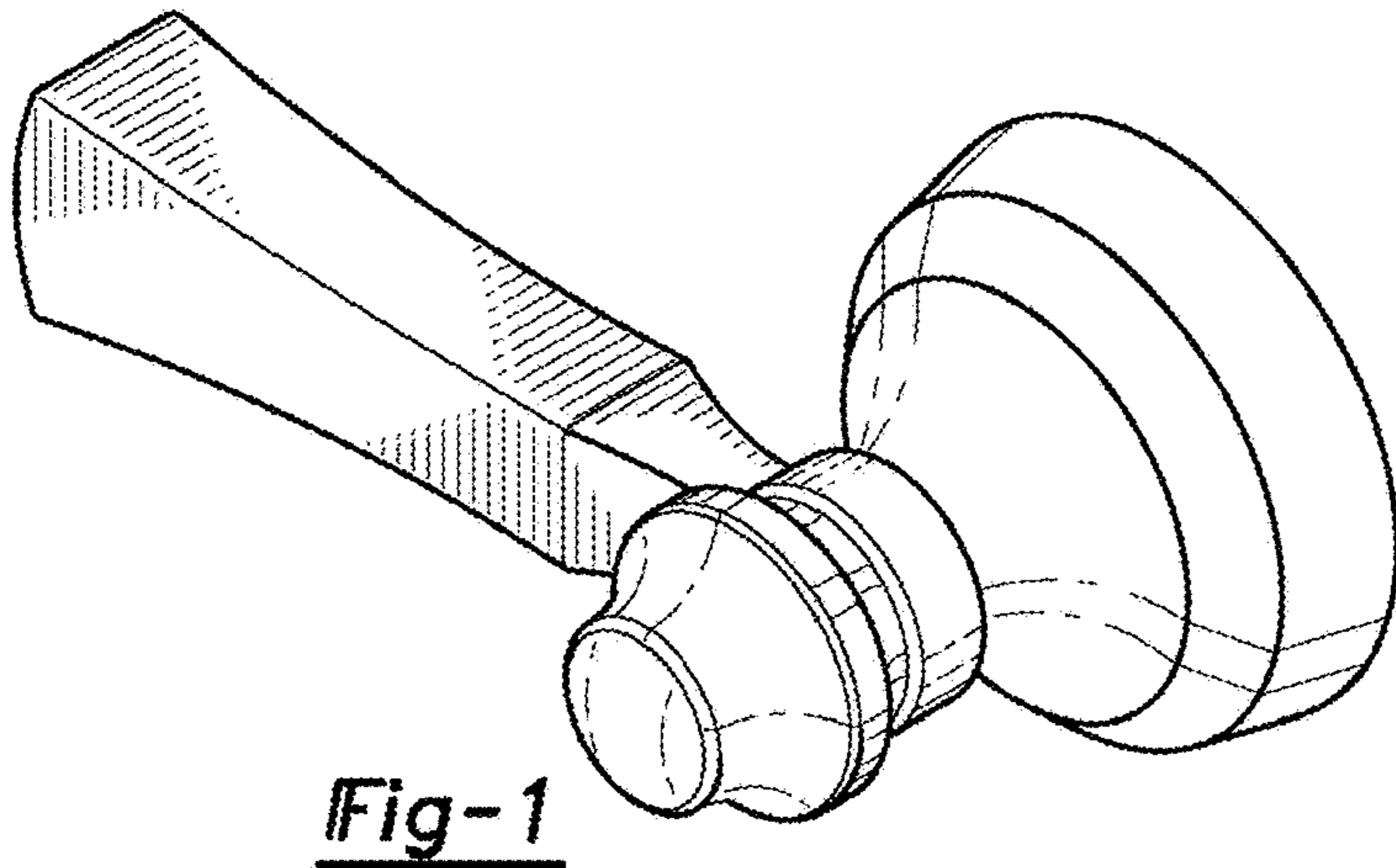


Fig-1

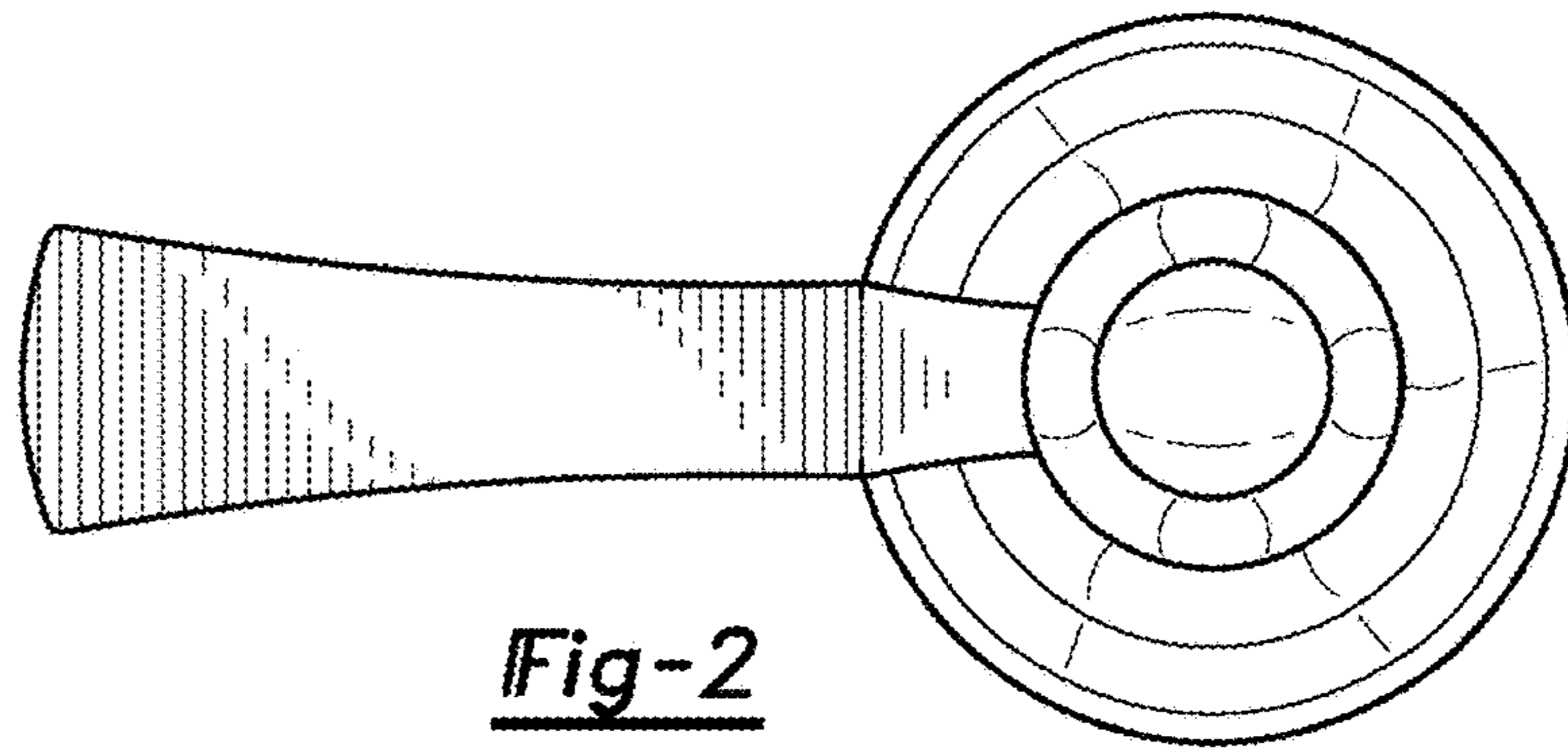


Fig-2

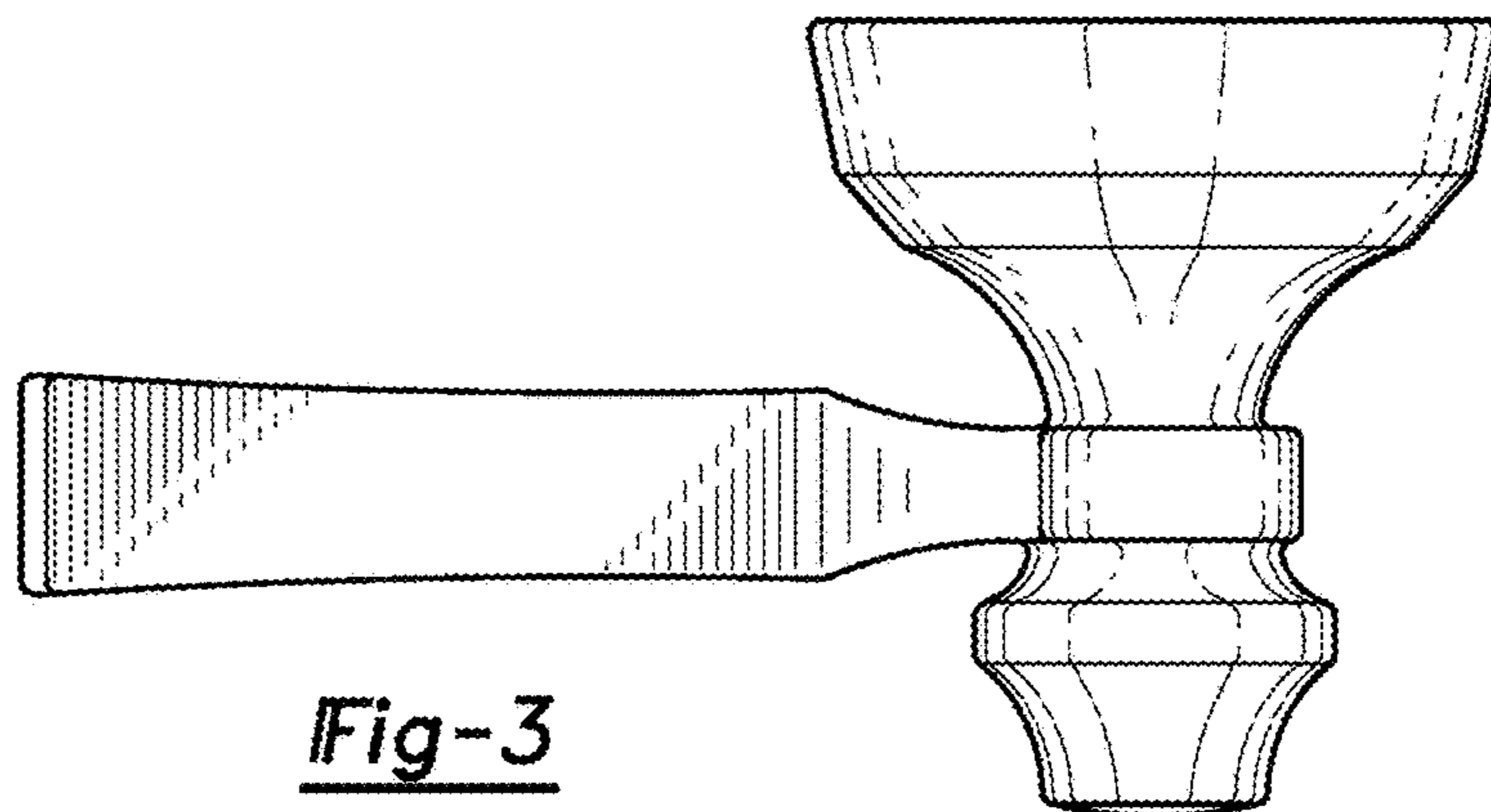


Fig-3

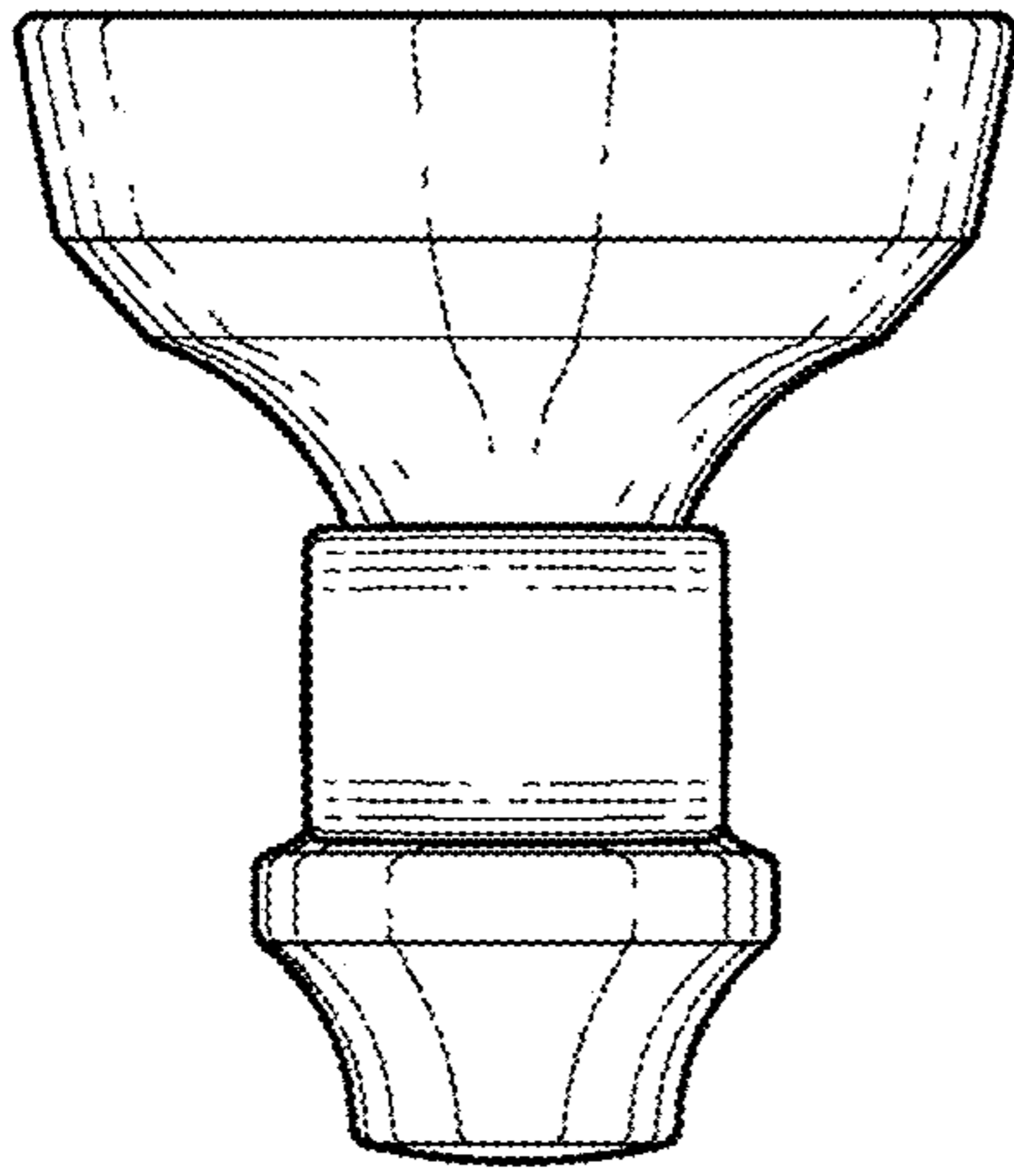


Fig-4

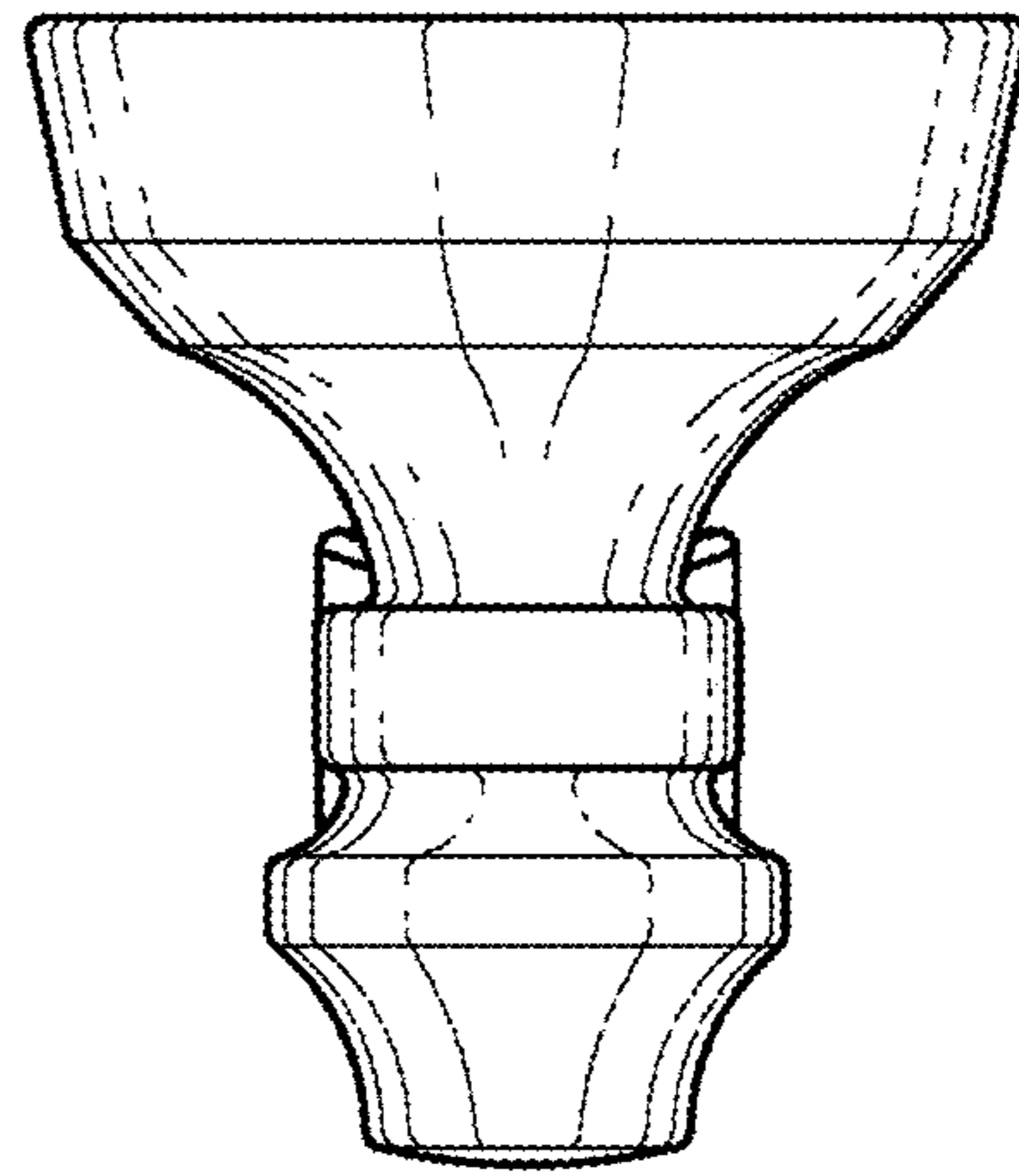


Fig-5

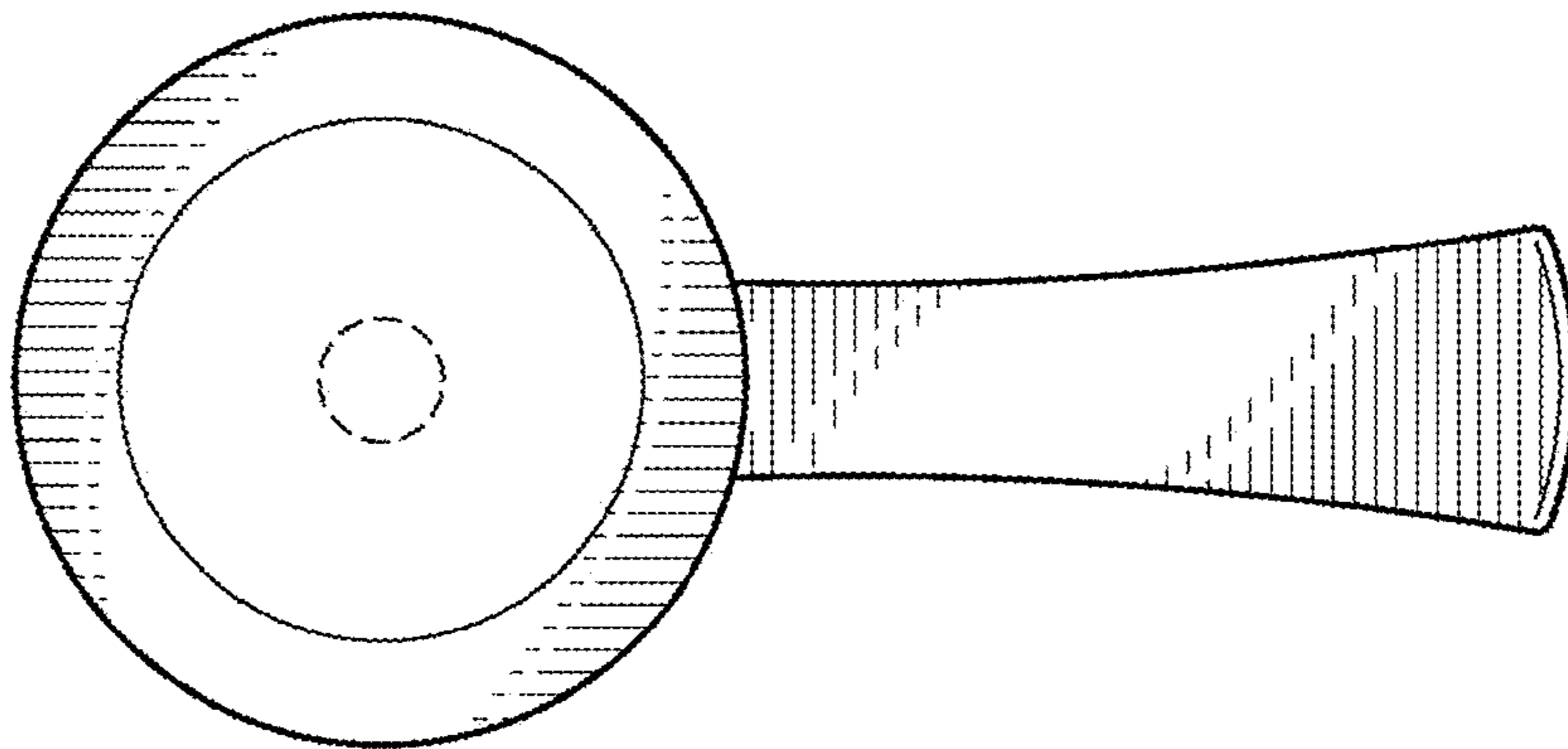


Fig-6