



US00D851734S

(12) **United States Design Patent**  
**Spangler**

(10) **Patent No.:** **US D851,734 S**

(45) **Date of Patent:** **\*\* Jun. 18, 2019**

(54) **FAUCET HANDLE**

D648,830 S \* 11/2011 Corbett ..... D23/252  
D729,350 S \* 5/2015 Bahler ..... D23/252  
D754,823 S \* 4/2016 Garland ..... D23/252

(71) Applicant: **DELTA FAUCET COMPANY,**  
Indianapolis, IN (US)

\* cited by examiner

(72) Inventor: **Anthony G. Spangler,** Indianapolis, IN  
(US)

*Primary Examiner* — Robert A Delehanty

(73) Assignee: **DELTA FAUCET COMPANY,**  
Indianapolis, IN (US)

(74) *Attorney, Agent, or Firm* — Edgar A. Zarins; Nirav  
D. Parikh

(\*\*) Term: **15 Years**

(57) **CLAIM**

(21) Appl. No.: **29/631,961**

The ornamental design for a faucet handle, as shown and  
described.

(22) Filed: **Jan. 4, 2018**

**DESCRIPTION**

(51) **LOC (11) Cl.** ..... **23-01**

(52) **U.S. Cl.**  
USPC ..... **D23/252**

(58) **Field of Classification Search**  
USPC ..... D23/238–243, 249–250, 252, 254, 309,  
D23/313; D8/307–308  
CPC ..... Y10T 137/9464  
See application file for complete search history.

FIG. 1 is a perspective view of a faucet handle showing my  
new design;  
FIG. 2 is a top plan view thereof;  
FIG. 3 is a first side view thereof, the opposite side being a  
mirror image of the side shown;  
FIG. 4 is a bottom view thereof;  
FIG. 5 is a first end view thereof; and,  
FIG. 6 is a second end view thereof.

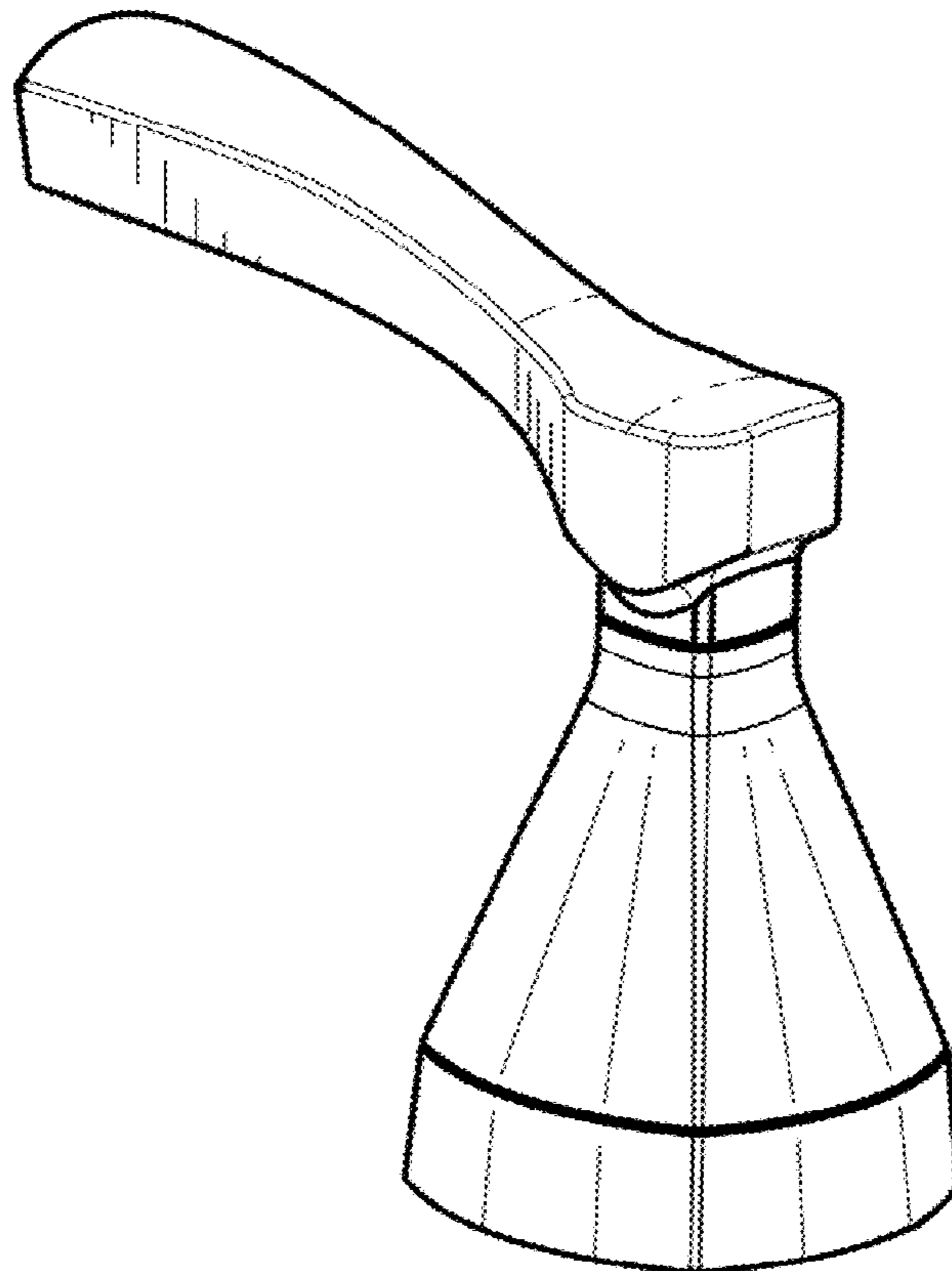
(56) **References Cited**

The broken-line disclosure in the view represents a portion  
of the faucet handle in which the claimed design is embod-  
ied, but which forms no part of the claimed design.

**U.S. PATENT DOCUMENTS**

D587,786 S \* 3/2009 Williams ..... D23/252  
D611,573 S \* 3/2010 Gao ..... D23/252

**1 Claim, 1 Drawing Sheet**



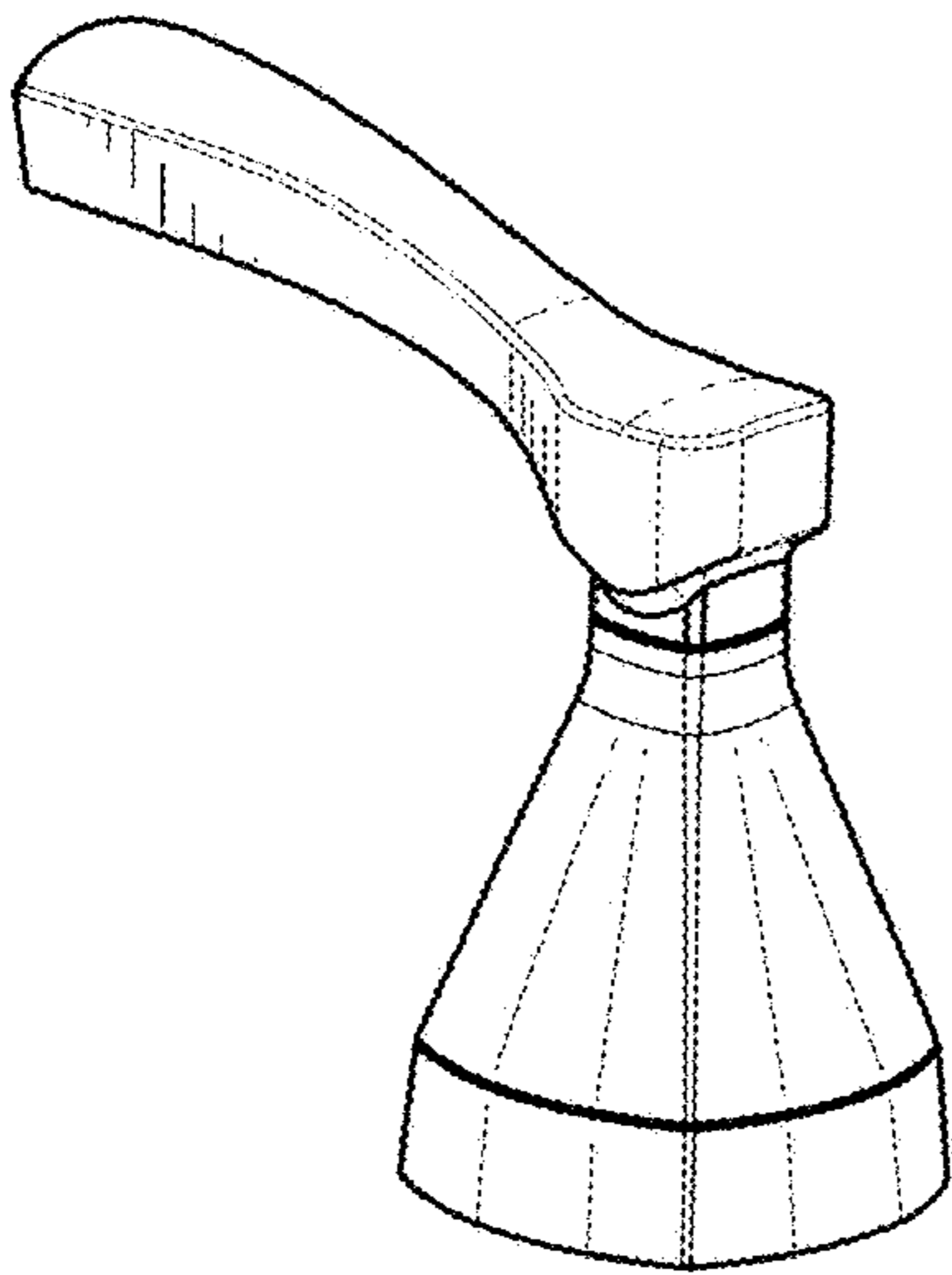


Fig-1

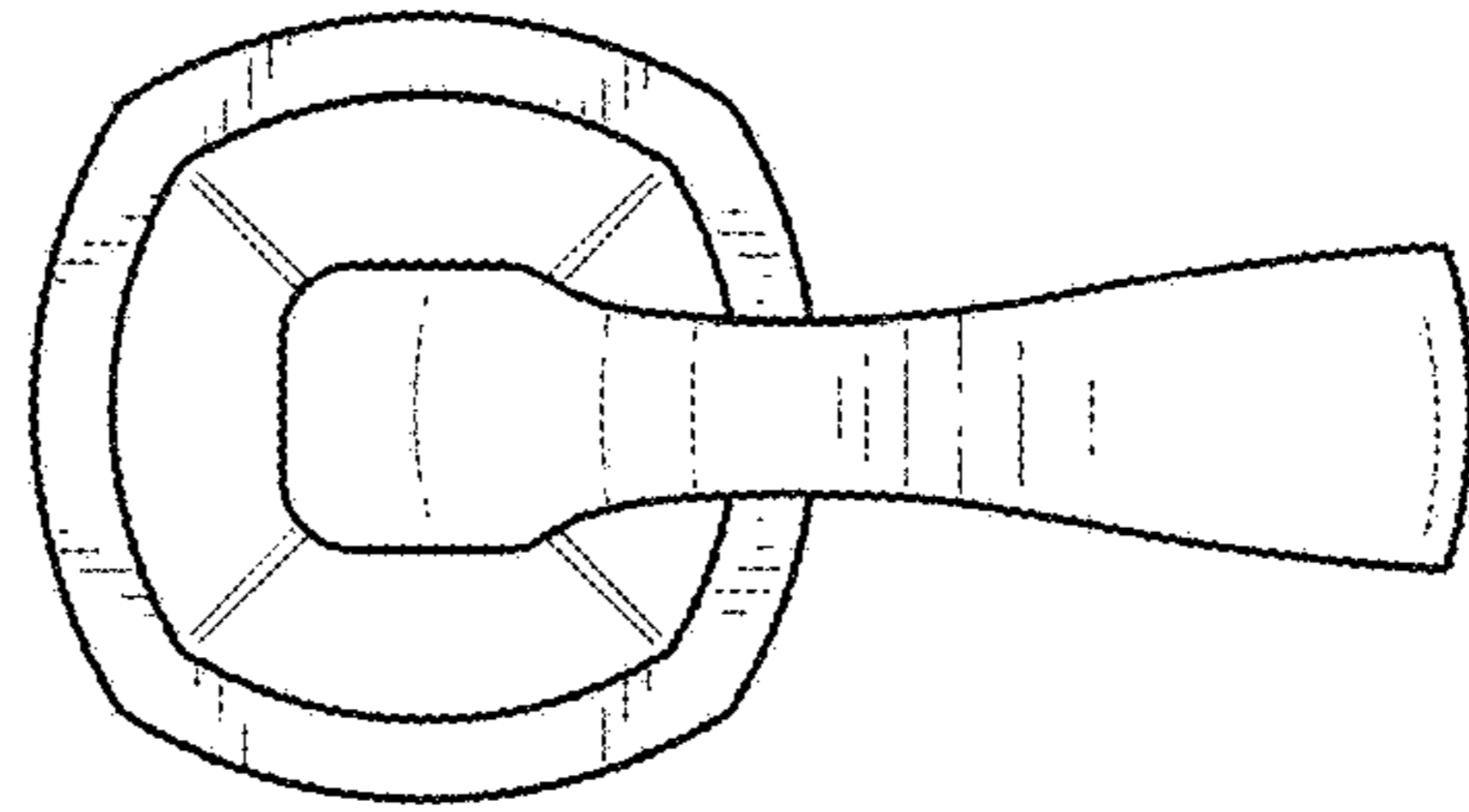


Fig-2

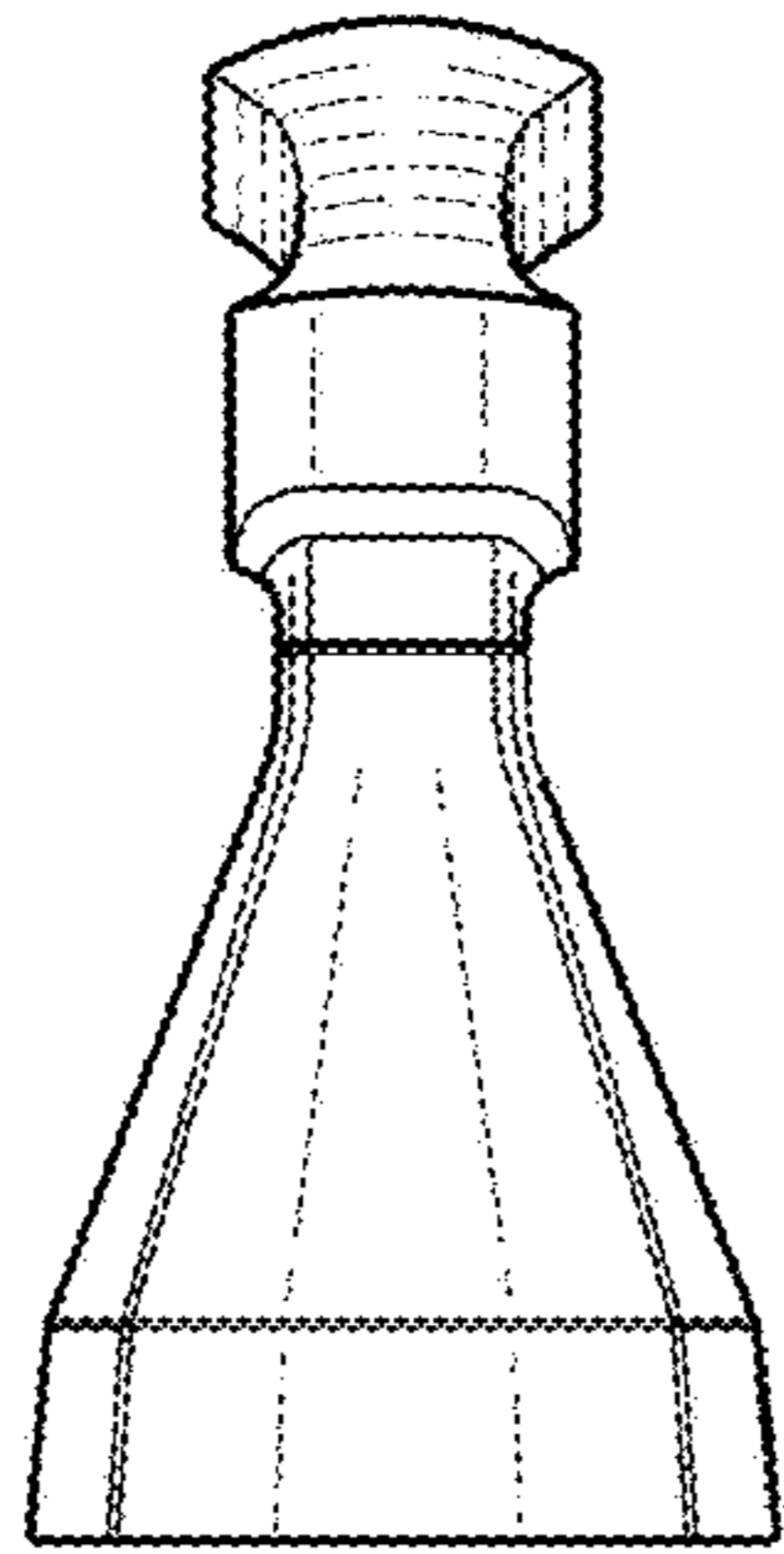


Fig-5

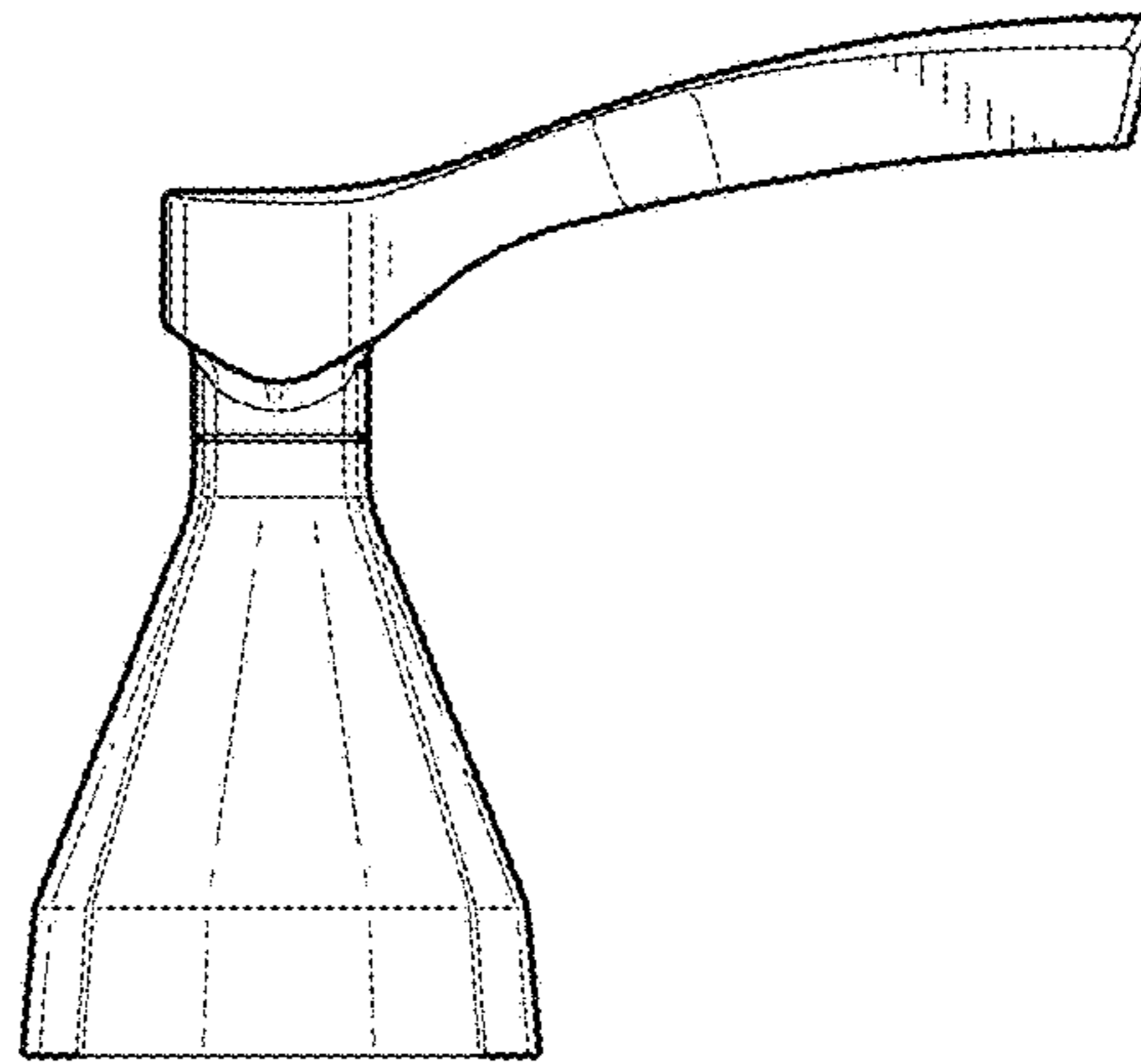


Fig-3

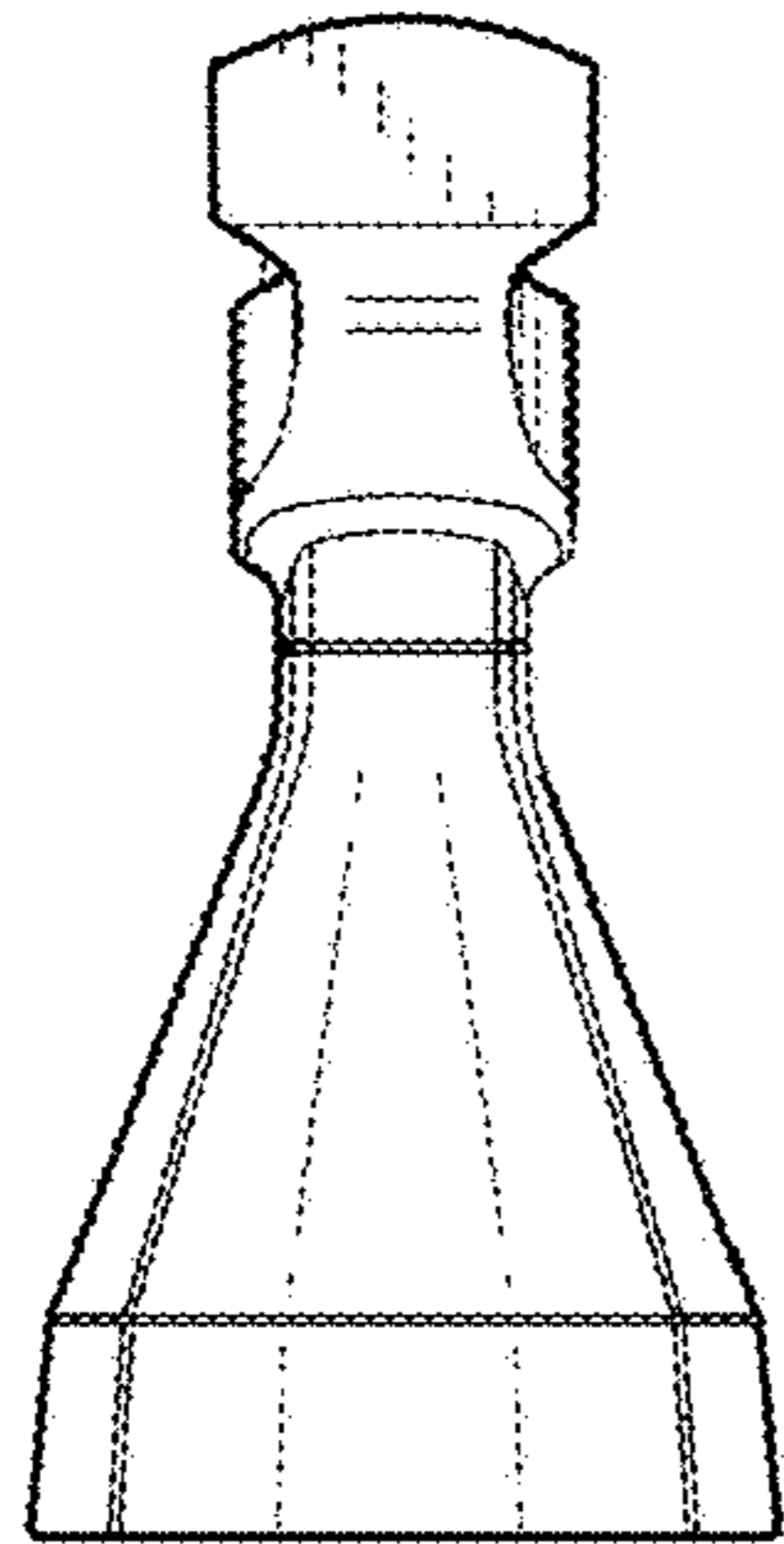


Fig-6

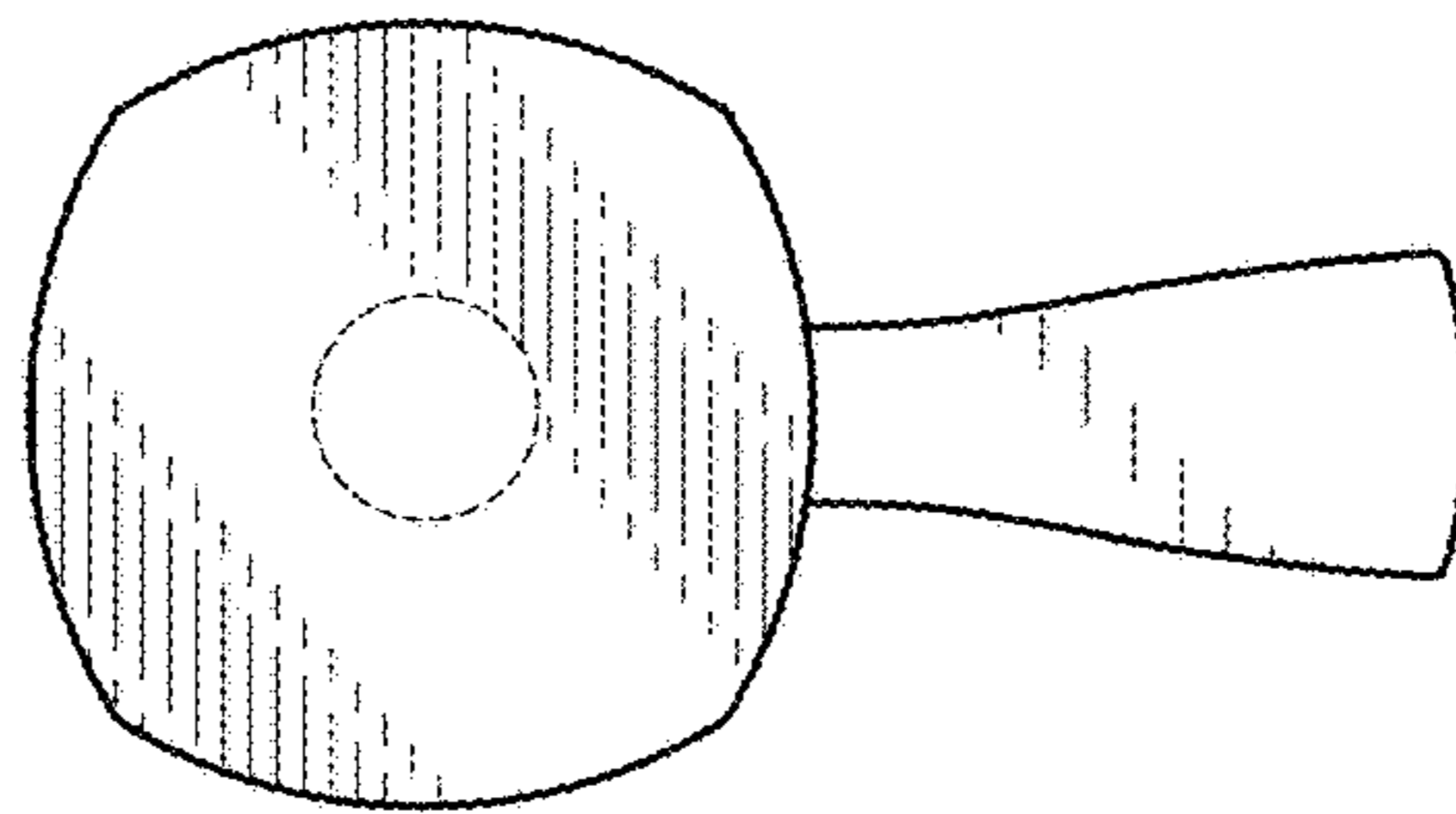


Fig-4