



US00D851730S

(12) **United States Design Patent**
Garland

(10) **Patent No.:** **US D851,730 S**

(45) **Date of Patent:** **** Jun. 18, 2019**

(54) **FAUCET HANDLE**

D523,932 S * 6/2006 Schaffeld D23/252
D529,141 S * 9/2006 Green D23/252
D637,037 S * 5/2011 Bergne D7/395

(71) Applicant: **DELTA FAUCET COMPANY,**
Indianapolis, IN (US)

(72) Inventor: **Celine Kwok Garland,** Zionsville, IN
(US)

(73) Assignee: **DELTA FAUCET COMPANY,**
Indianapolis, IN (US)

(**) Term: **15 Years**

(21) Appl. No.: **29/638,486**

(22) Filed: **Feb. 27, 2018**

(51) **LOC (11) Cl.** **23-01**

(52) **U.S. Cl.**
USPC **D23/250**

(58) **Field of Classification Search**
USPC D8/300, 307, 308; D23/238–243, 249,
D23/250, 252, 254, 255, 257, 245, 309;
D7/394, 622, 395, 545, 398
CPC Y10T 137/9464
See application file for complete search history.

(56) **References Cited**

U.S. PATENT DOCUMENTS

D223,155 S * 3/1972 Owings D23/252
D318,319 S * 7/1991 Rokita D23/238
D320,335 S * 10/1991 Bengtson D23/252
D379,497 S * 5/1997 Renfro D8/307
D481,106 S * 10/2003 Pelletz D23/245
D510,414 S * 10/2005 Jones D23/252

OTHER PUBLICATIONS

Amazon, Pfister Breckenridge Pull-down Faucet, posted Oct. 27, 2016, [online], [visited Jan. 15, 2019]. Internet, <URL: <https://www.amazon.com/Pfister-Breckenridge-Stainless-1-Handle-Pull-Down/dp/B01MCZ6GMM>> (Year: 2016).*

* cited by examiner

Primary Examiner — Sheryl Lane

Assistant Examiner — Samantha N Wood

(74) *Attorney, Agent, or Firm* — Edgar A. Zarins; Nirav D. Parikh

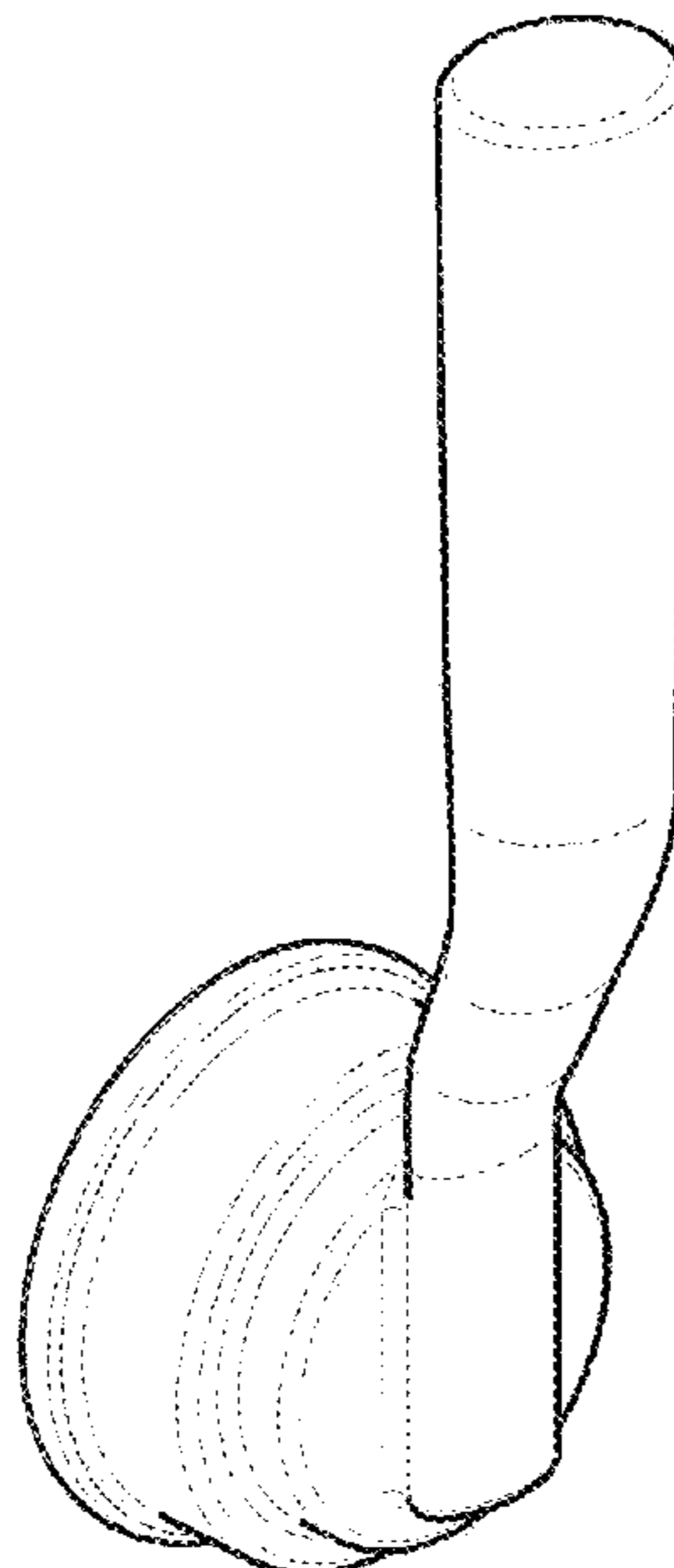
(57) **CLAIM**

The ornamental design for a faucet handle, as shown and described.

DESCRIPTION

FIG. 1 is a first perspective view of a faucet handle showing my new design;
FIG. 2 is a second perspective view thereof;
FIG. 3 is a first end view thereof;
FIG. 4 is a first side view thereof;
FIG. 5 is a second end view thereof;
FIG. 6 is a second side view thereof;
FIG. 7 is a top plan view thereof; and,
FIG. 8 is a bottom view thereof.

1 Claim, 4 Drawing Sheets



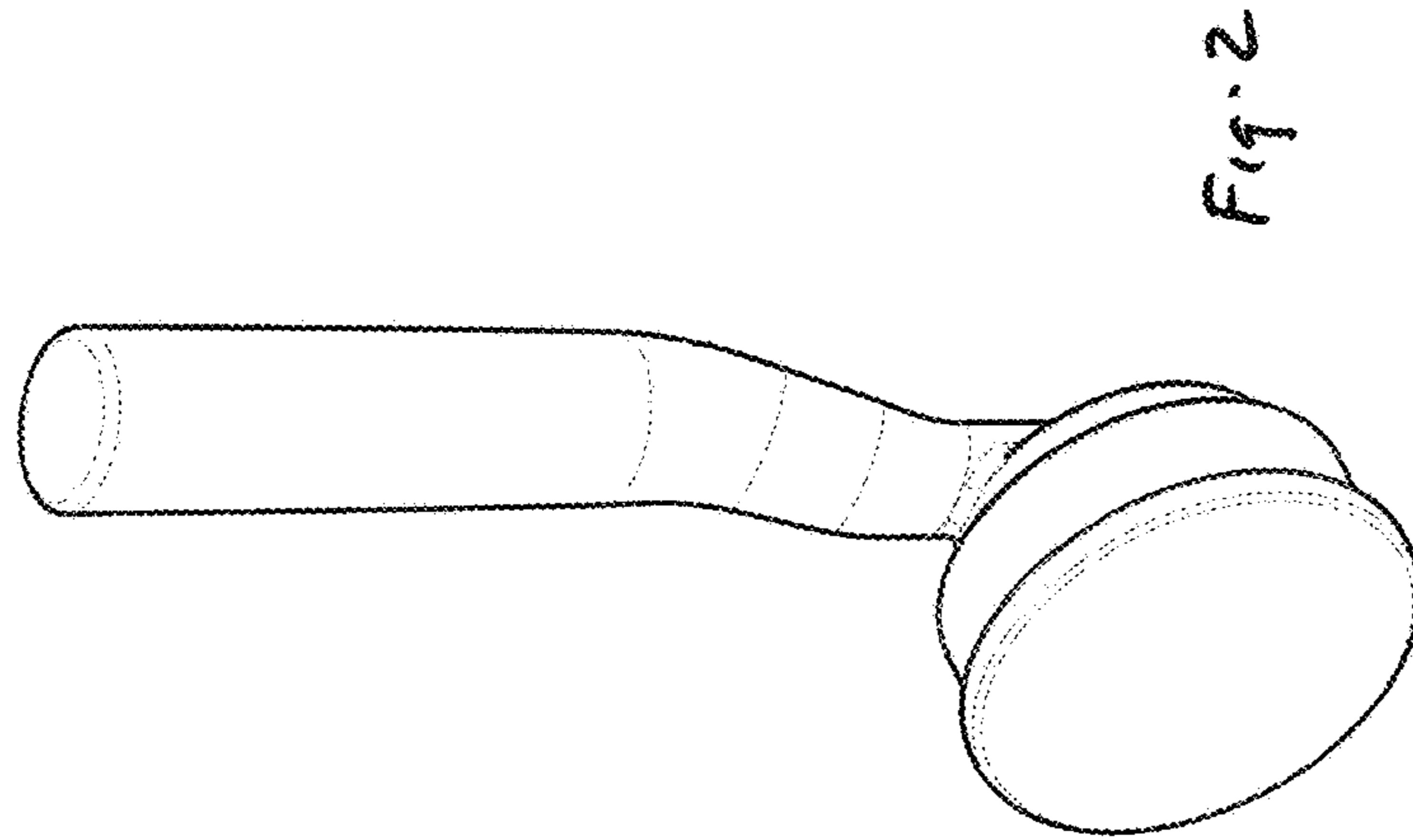


Fig. 2

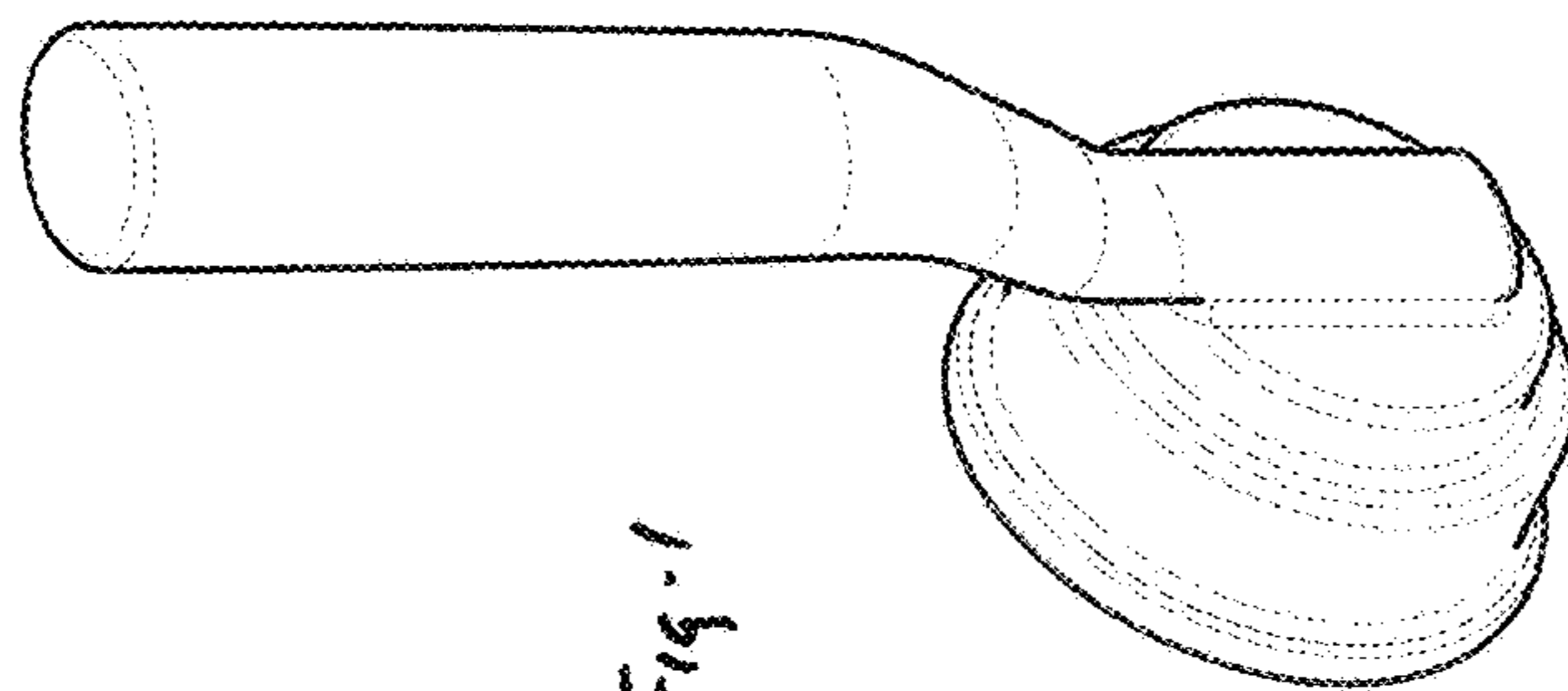
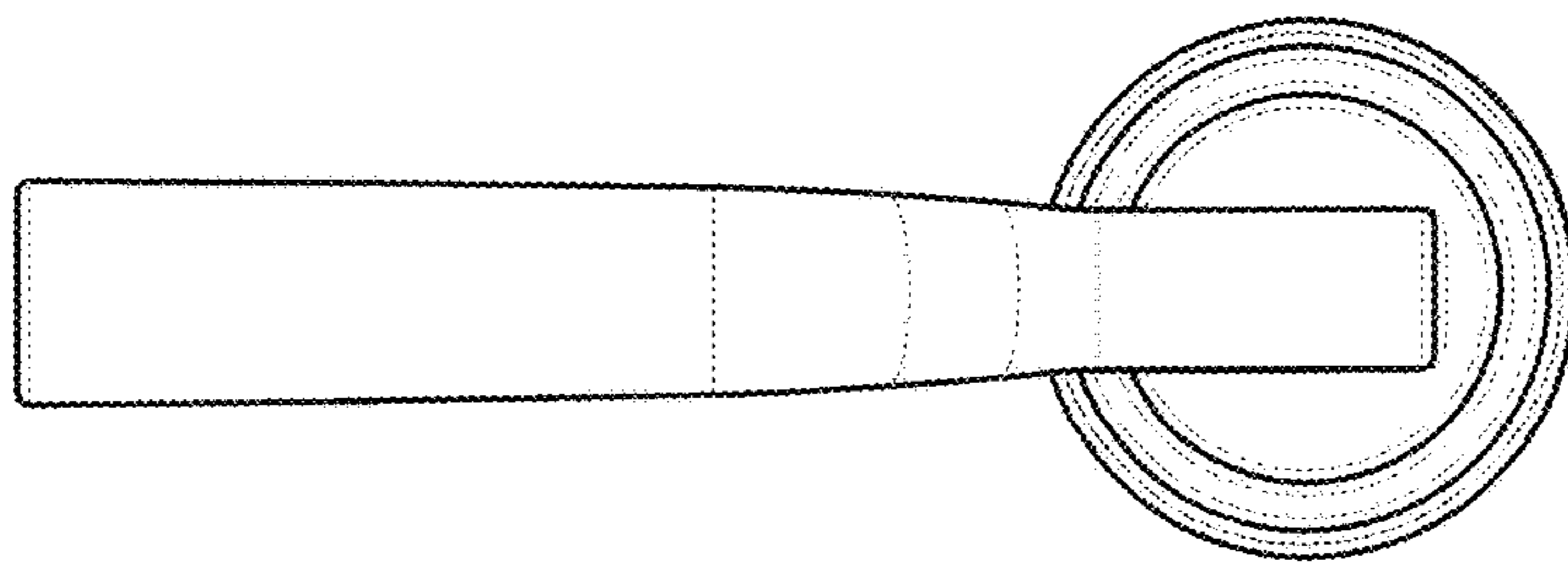
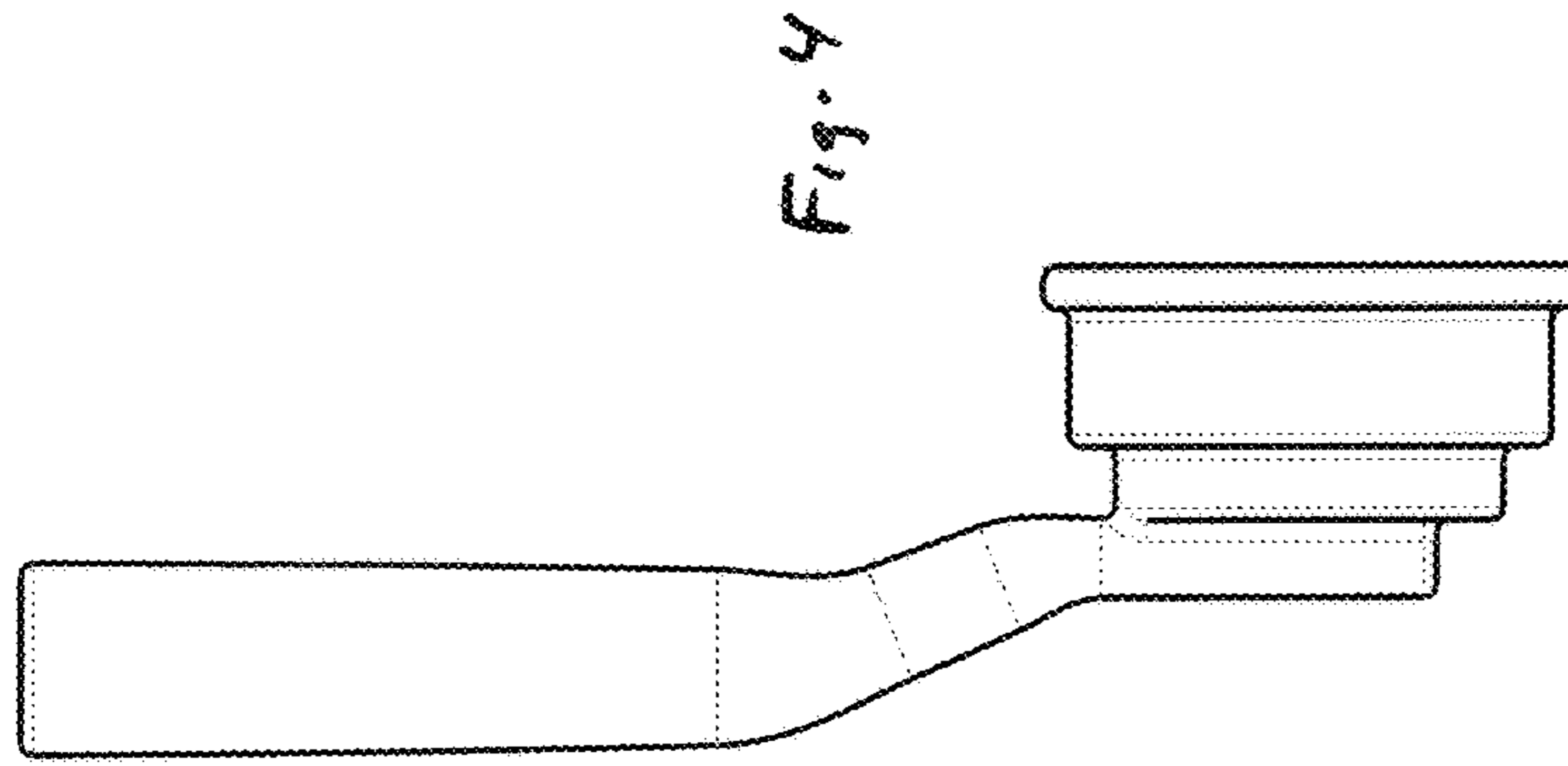


Fig. 1



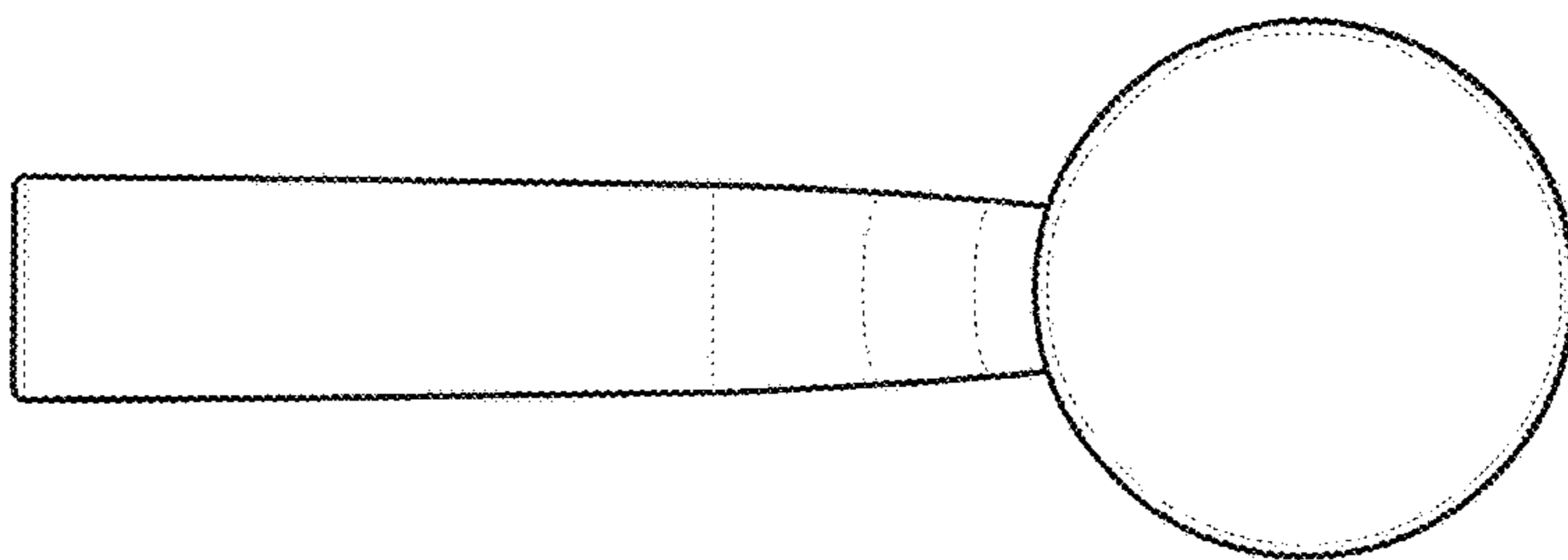


Fig. 5

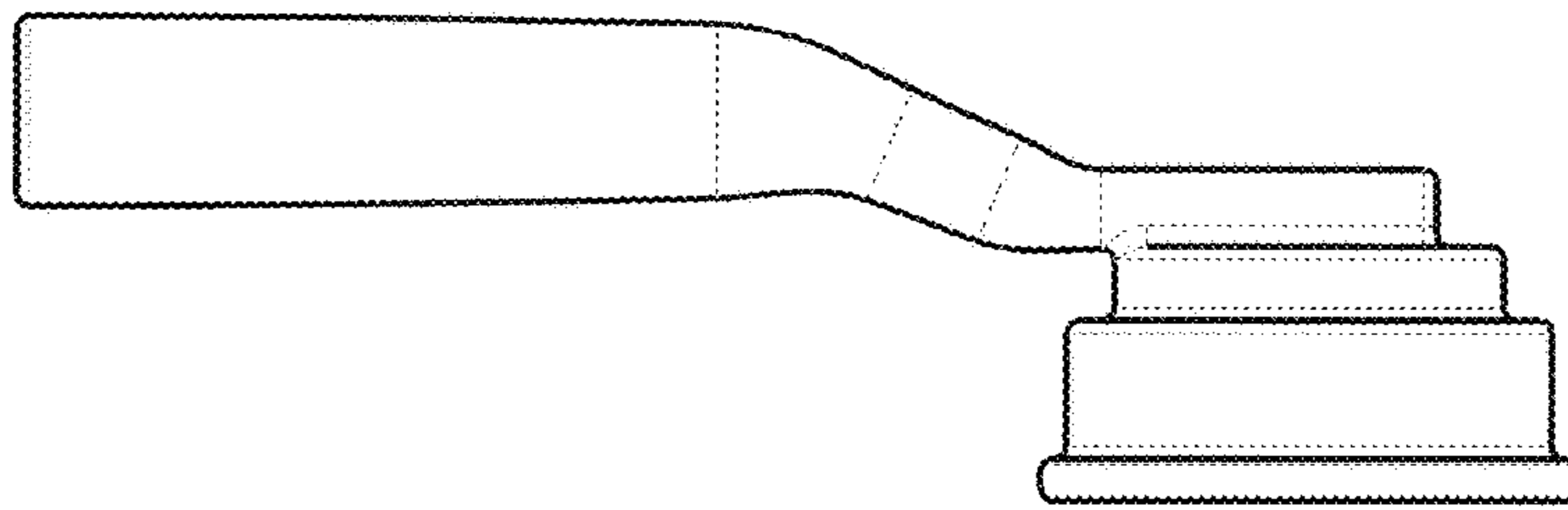


Fig. 6

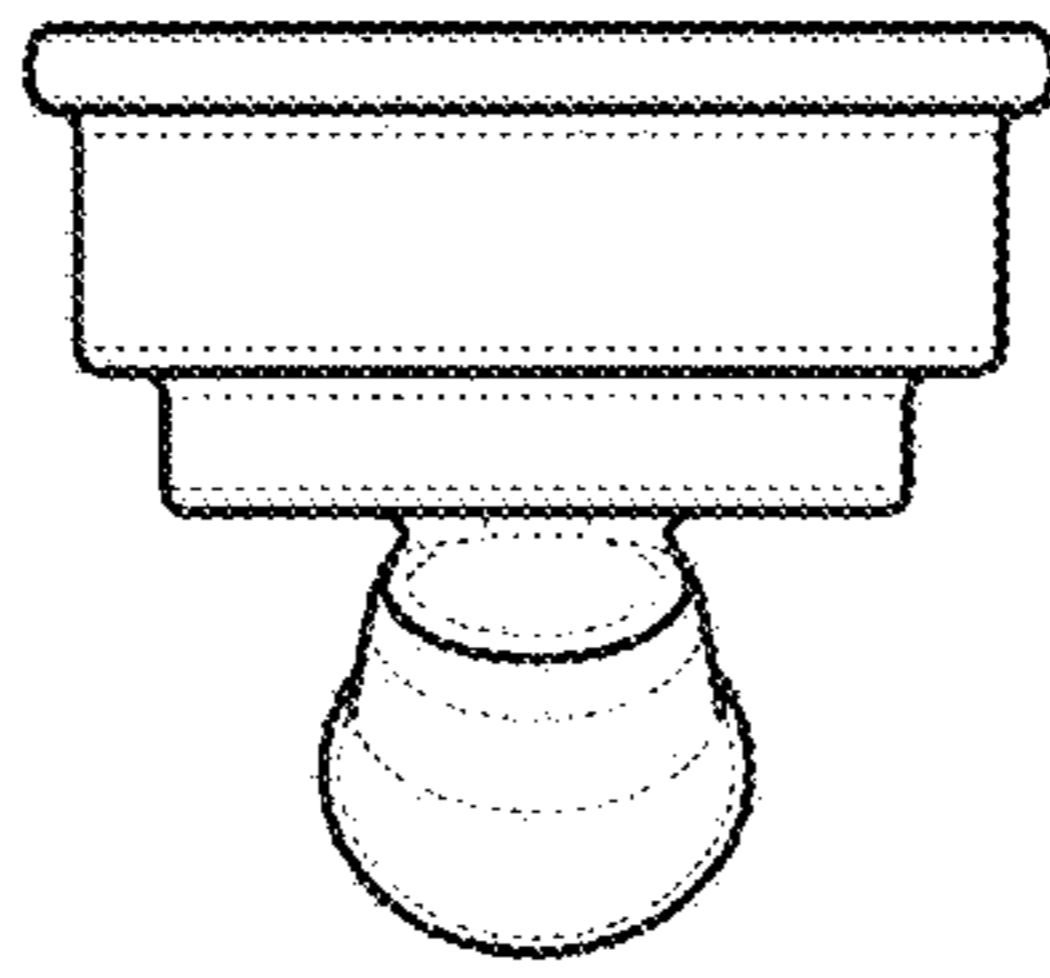


Fig. 8

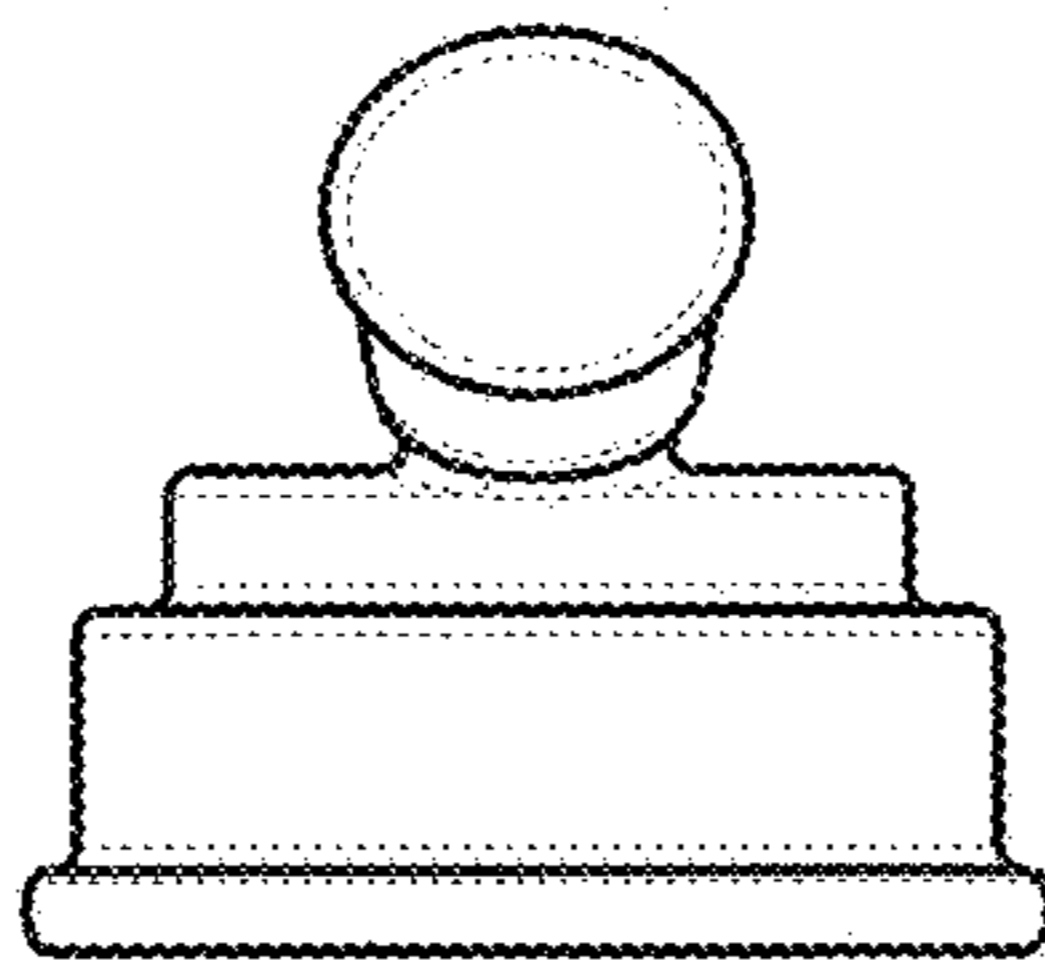


Fig. 7