



US00D851729S

(12) **United States Design Patent**
Tse et al.

(10) **Patent No.:** **US D851,729 S**
(45) **Date of Patent:** **** Jun. 18, 2019**

- (54) **HOSE ATTACHMENT SPRAYER END** 2,993,655 A * 7/1961 O'Brien B05B 1/12
239/582.1
- (71) Applicants: **Berlin Packaging, LLC**, Chicago, IL 3,001,725 A * 9/1961 Lockett B05B 1/12
(US); **H.D. Hudson Asia Limited**,
Tuen Mun, New Territories (HK) D200,961 S * 4/1965 Belnert D23/225
D205,337 S * 7/1966 Sheldall D23/225
3,363,842 A * 1/1968 Burns A62C 31/03
239/441
- (72) Inventors: **Kieron Tse**, Mt. Prospect, IL (US); D256,271 S 8/1980 Tada
Martin Rathgeber, Chicago, IL (US); D358,865 S 5/1995 Englhard et al.
Chan Man Sing, Hong Kong (CN); D429,794 S 8/2000 Beaver et al.
William Arthur Hudson, Fox Point, WI (US) D431,068 S 9/2000 Beaver et al.
D433,095 S 10/2000 Beaver et al.
- (73) Assignee: **Berlin Packaging, LLC**, Chicago, IL D445,872 S * 7/2001 Ketcham D23/225
(US) D451,581 S 12/2001 Shanklin et al.
D509,560 S * 9/2005 Hubmann A62C 31/02
D23/213

(**) Term: **15 Years**

(Continued)

(21) Appl. No.: **29/639,517**

Primary Examiner — Robin V Webster

(22) Filed: **Mar. 7, 2018**

(74) *Attorney, Agent, or Firm* — Adam K. Sacharoff;
Much Shelist, P.C.

(51) **LOC (11) Cl.** **23-01**

(52) **U.S. Cl.**
USPC **D23/213**

(57) **CLAIM**

(58) **Field of Classification Search**
USPC D23/213, 223, 225; 222/566; D9/434,
D9/435, 447, 448; 239/271-2
CPC A62C 31/02; A62C 31/03; B05B 1/304;
B05B 1/308; B65D 47/247; B65D 47/24;
B65D 47/32; B65D 47/06
See application file for complete search history.

The ornamental design for a hose attachment sprayer end, as shown and described.

DESCRIPTION

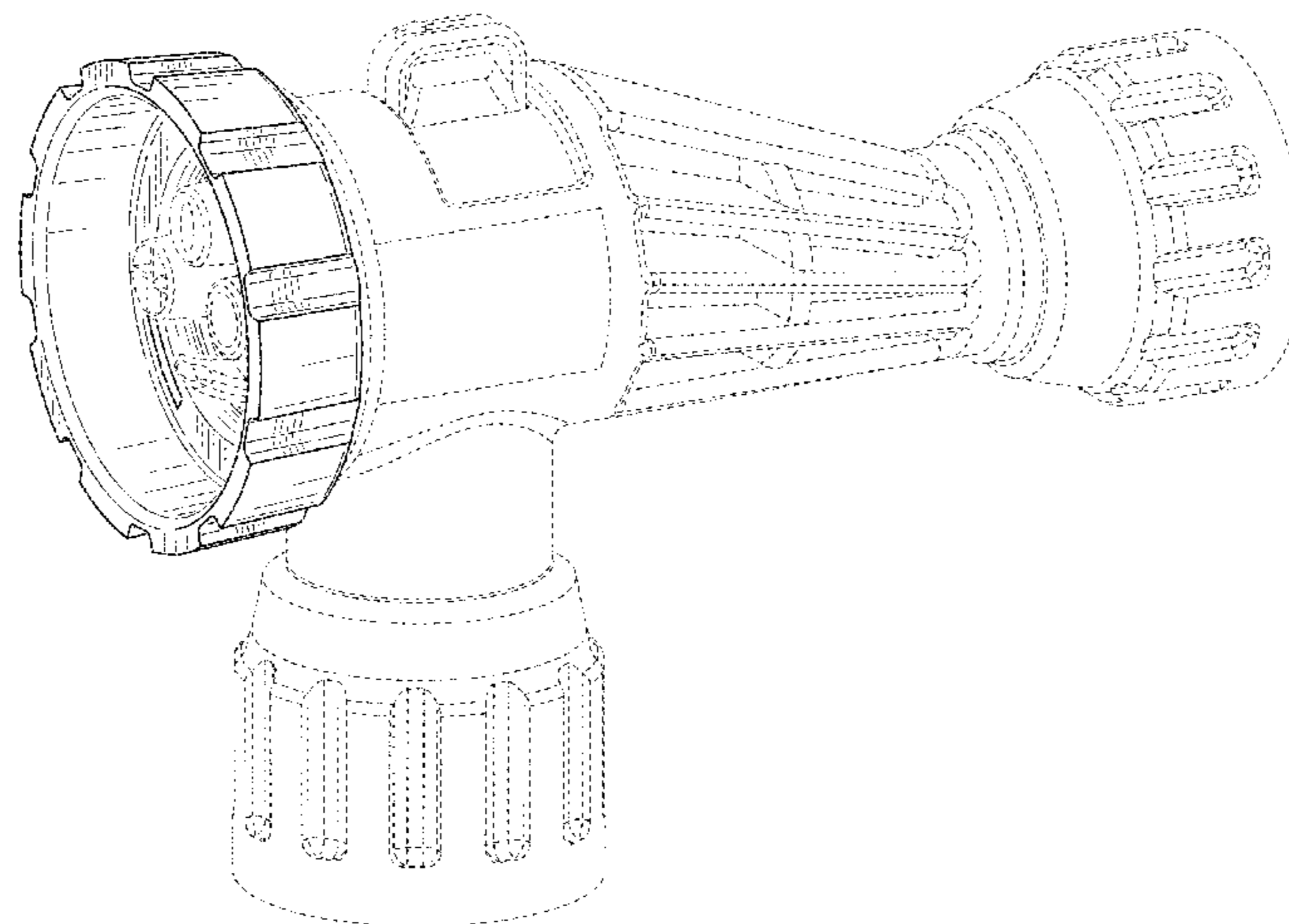
(56) **References Cited**

U.S. PATENT DOCUMENTS

- 2,343,647 A * 3/1944 Doerr B05B 1/308
239/457
- 2,364,905 A * 12/1944 Lewis A62C 31/02
239/457
- 2,376,881 A * 5/1945 Nielsen A62C 31/02
239/441
- 2,388,508 A * 11/1945 Timpson A62C 31/02
169/14

FIG. 1 is a front left side perspective view showing the new design for a hose attachment sprayer end;
FIG. 2 is a front right side perspective view thereof;
FIG. 3 is a front view thereof;
FIG. 4 is a rear view thereof 5;
FIG. 5 is a left side view thereof;
FIG. 6 is a right side view thereof;
FIG. 7 is a top plan view thereof; and,
FIG. 8 is a bottom plan view thereof.
The broken lines in the Figures are included to show unclaimed subject matter only and form no part of the claimed design.

1 Claim, 7 Drawing Sheets



(56)

References Cited

U.S. PATENT DOCUMENTS

D709,988 S *	7/2014	Ford	A62C 31/02 D23/213
D760,870 S *	7/2016	Popek	A62C 31/02 D23/225
9,725,293 B2 *	8/2017	Quasters	B65D 23/02
D821,541 S *	6/2018	McDonnell	B65D 47/247 D23/213
D825,030 S *	8/2018	McDonnell	B05B 1/12 D23/213
D827,773 S *	9/2018	Schneider	B05B 1/308 D23/225
10,077,145 B1 *	9/2018	Boucher	B65D 47/247
D831,791 S *	10/2018	Tse	B65D 23/02 D23/213

* cited by examiner

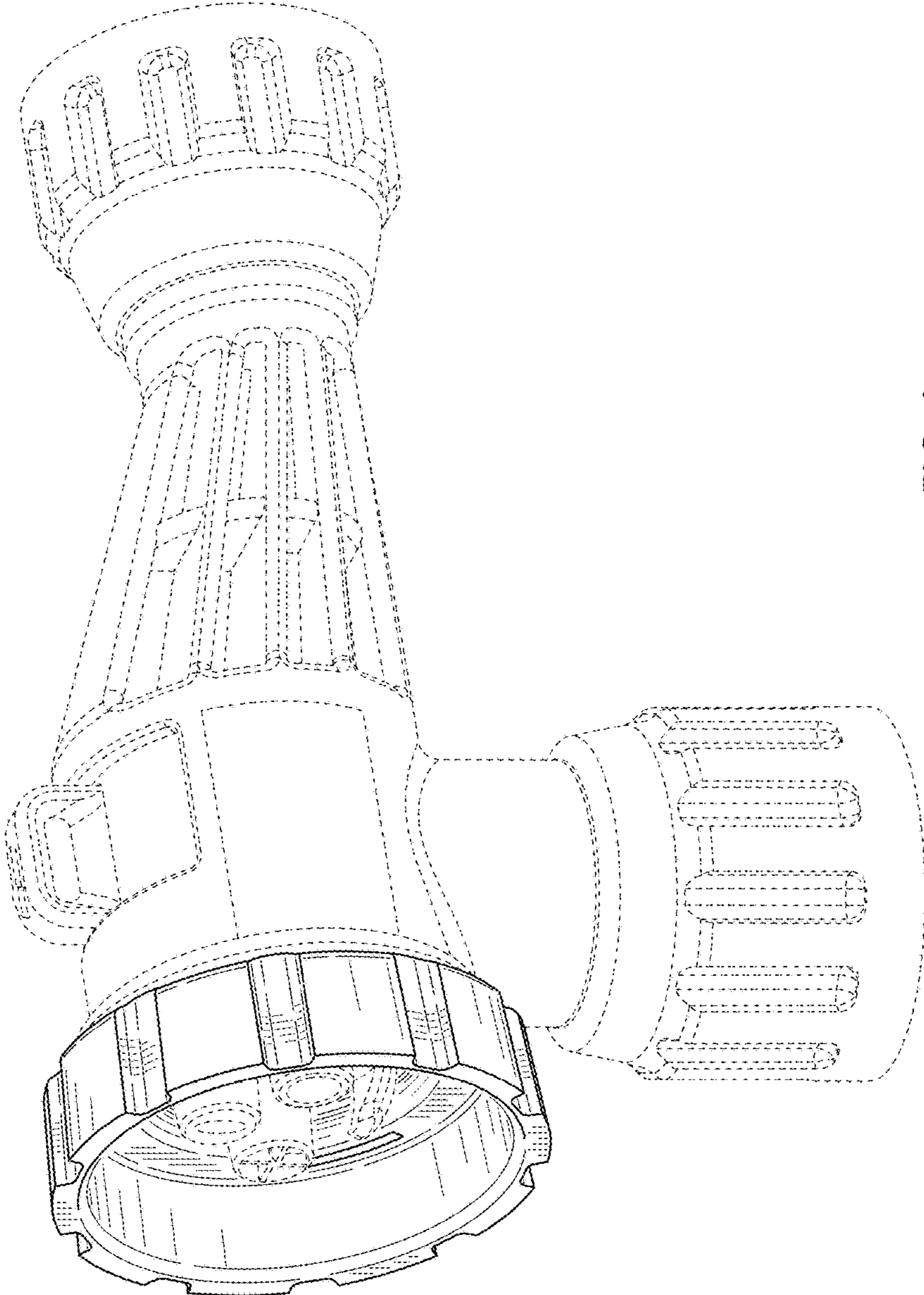


FIG. 1

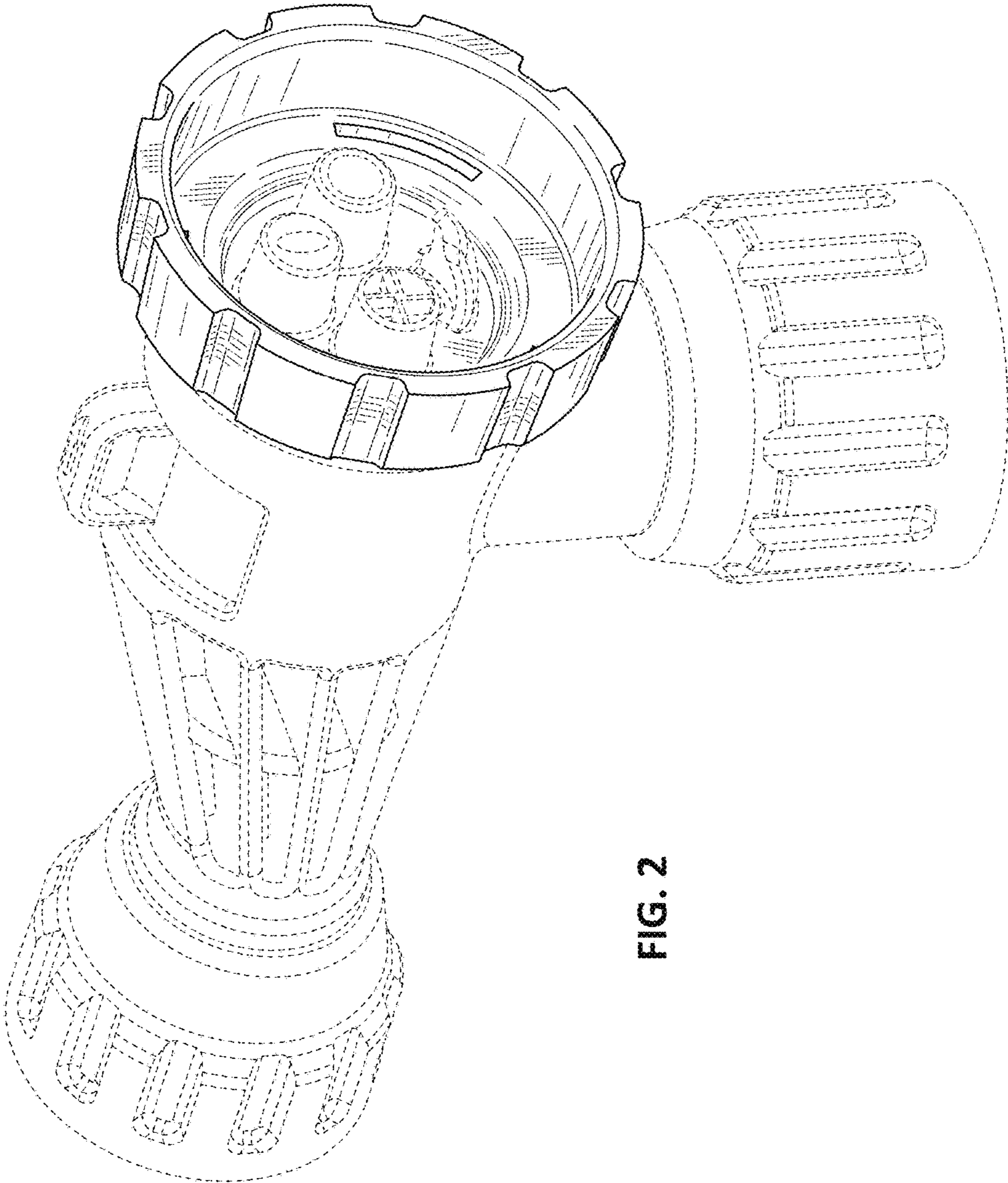


FIG. 2

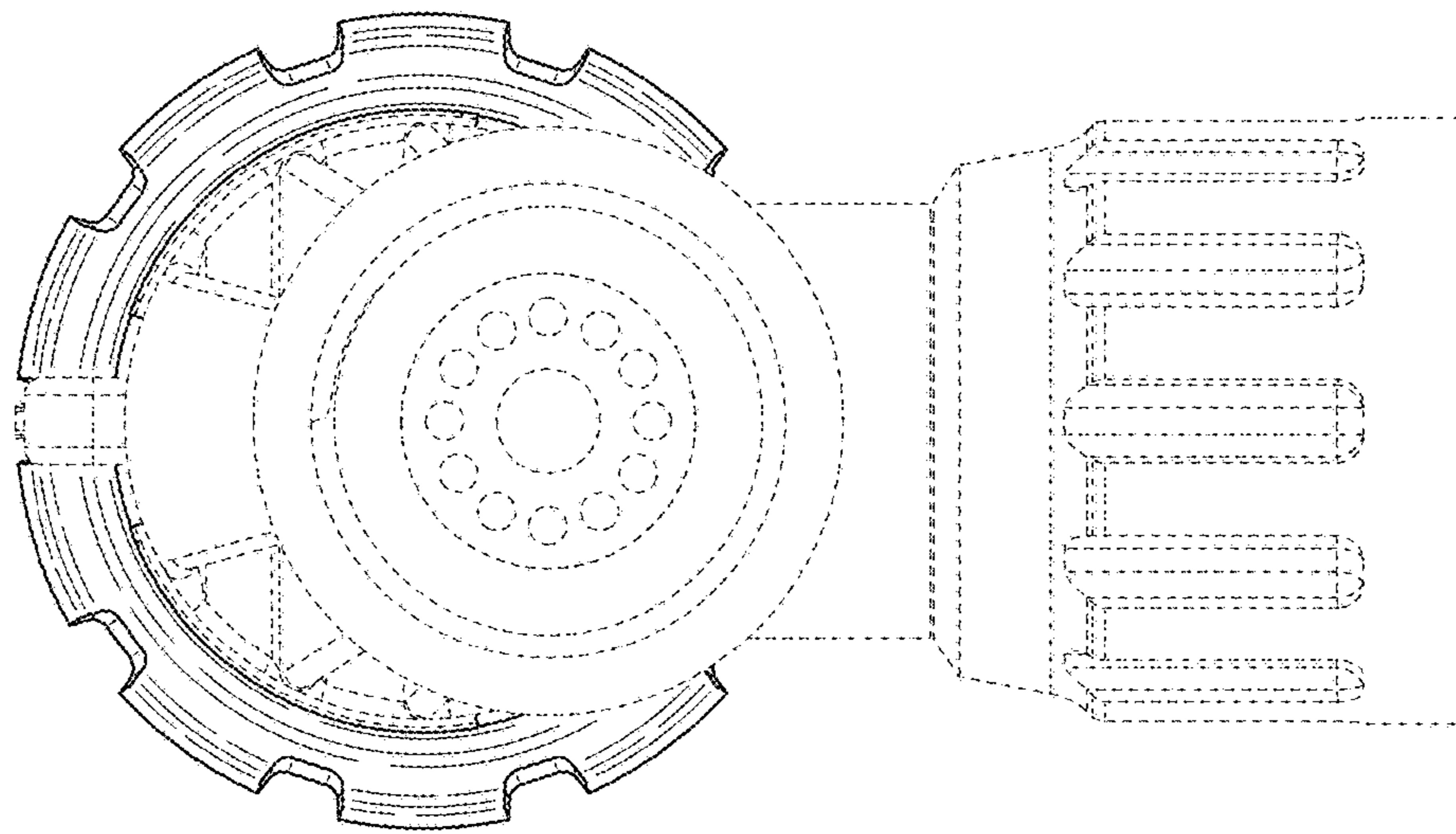


FIG. 4

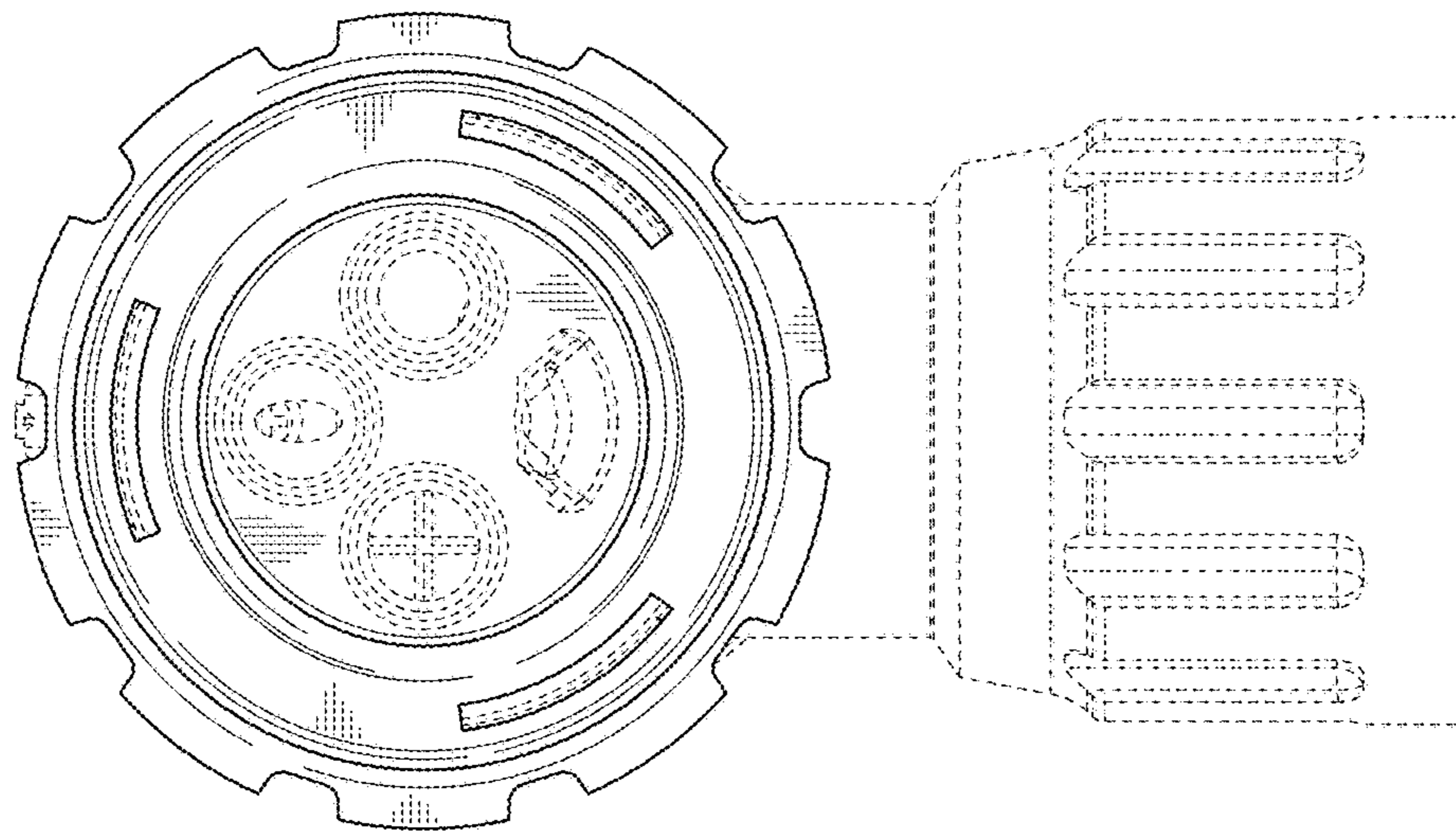


FIG. 3

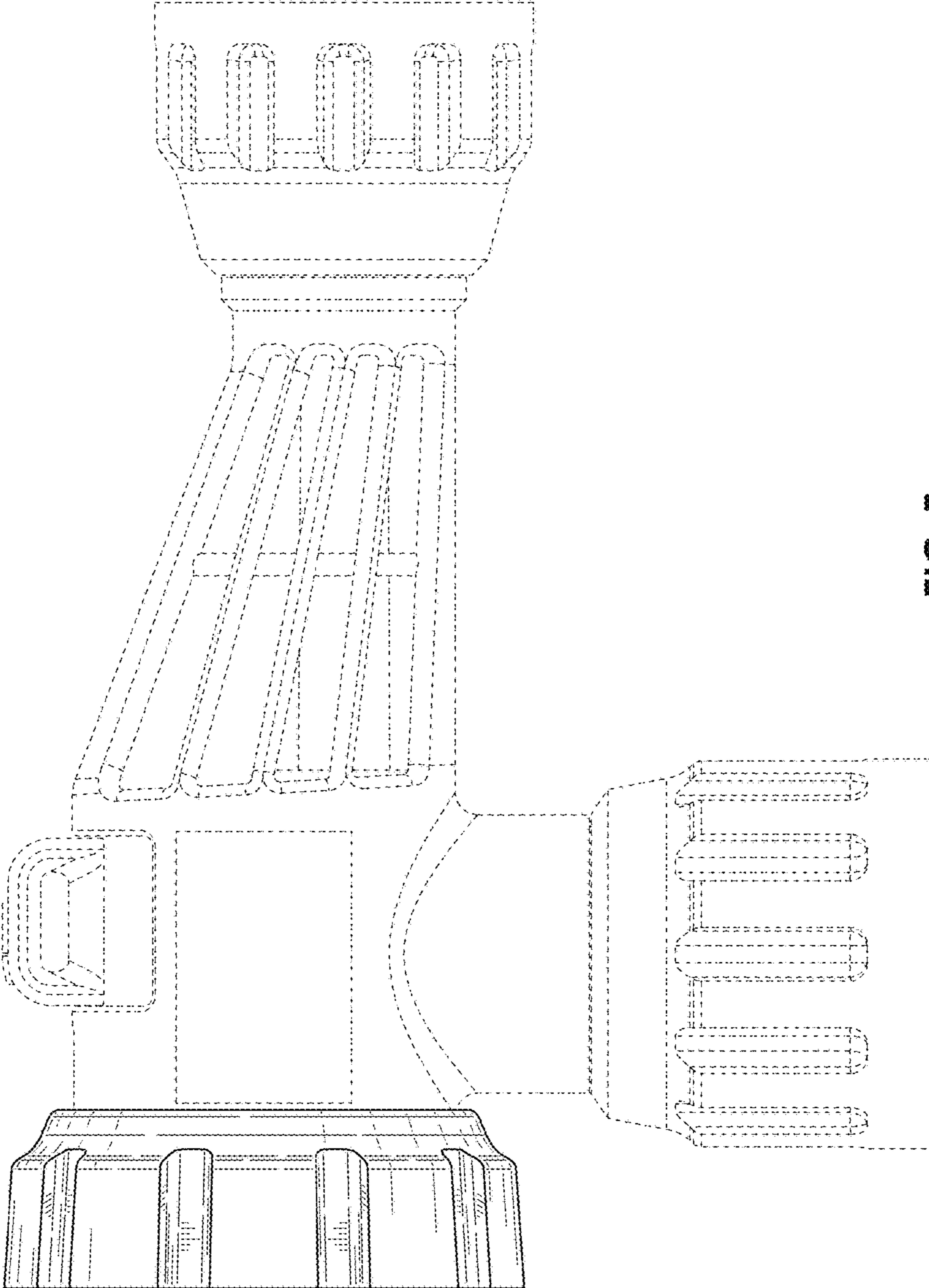


FIG. 5

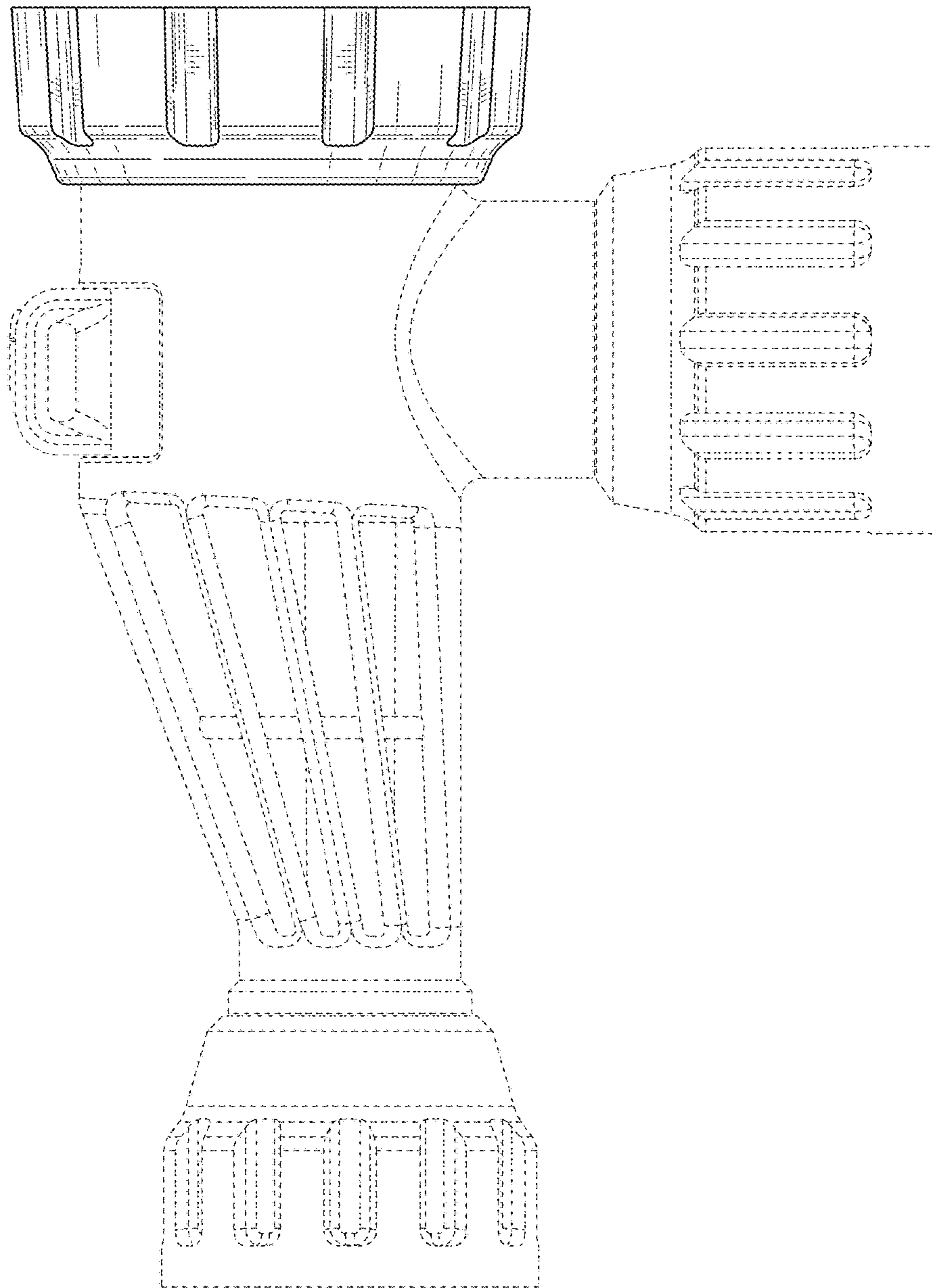


FIG. 6

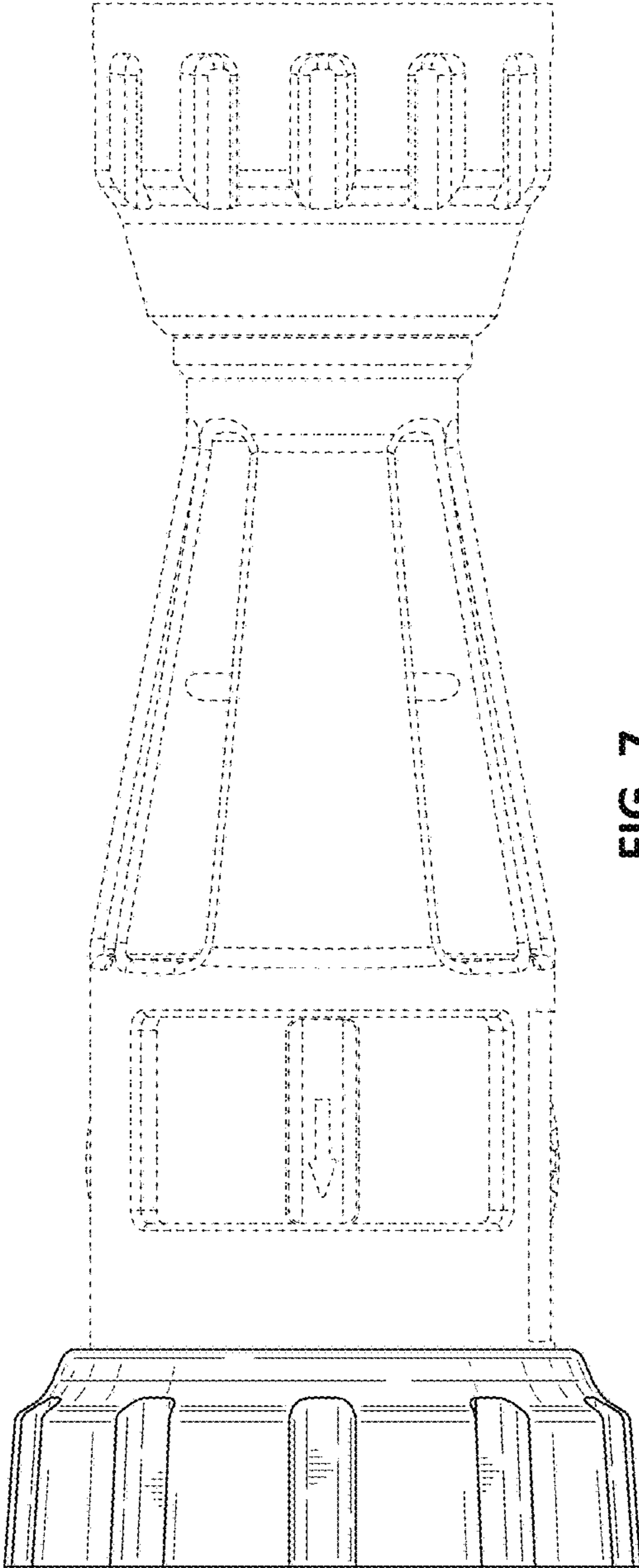


FIG. 7

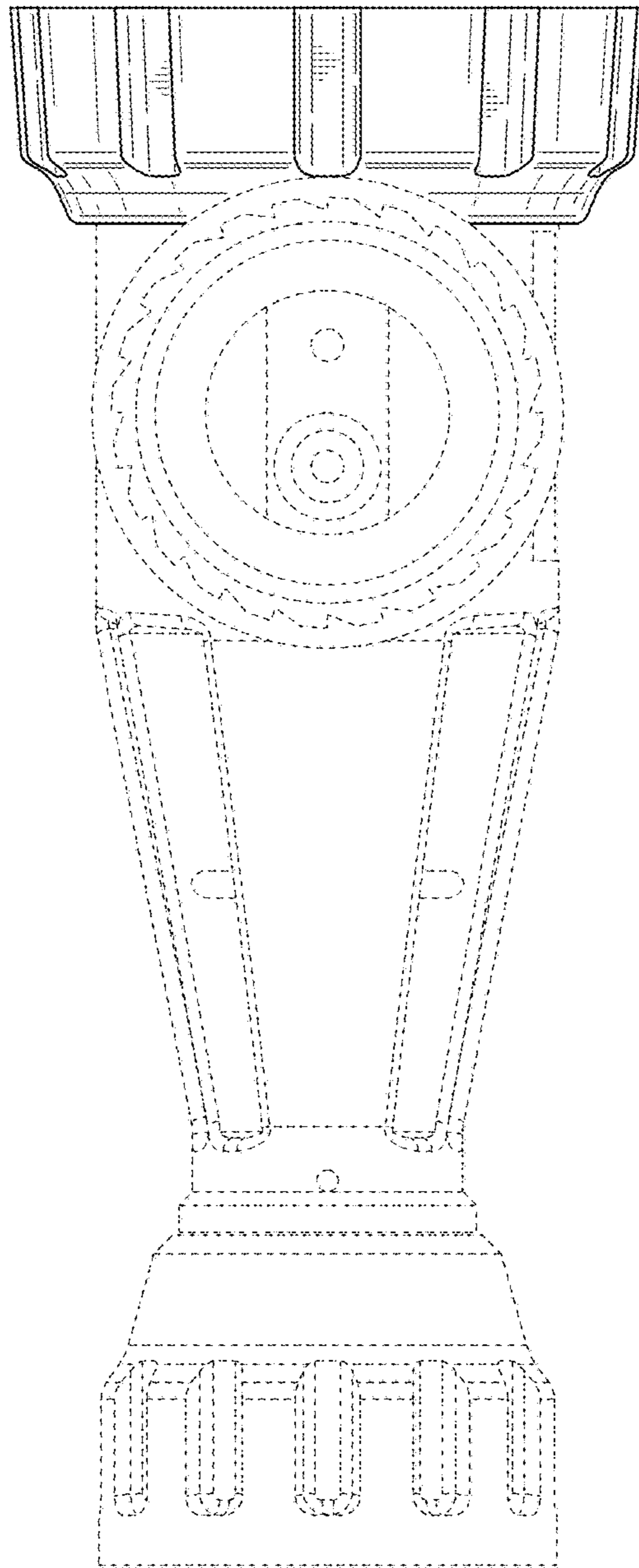


FIG. 8