



US00D851728S

(12) **United States Design Patent**  
**Tse et al.**

(10) **Patent No.:** **US D851,728 S**  
(45) **Date of Patent:** **\*\* Jun. 18, 2019**

- (54) **HOSE ATTACHMENT BODY**
- (71) Applicants: **Berlin Packaging, LLC**, Chicago, IL (US); **H.D. Hudson Asia Limited**, Tuen Mun, New Territories (HK)
- (72) Inventors: **Kieron Tse**, Mt. Prospect, IL (US); **Martin Rathgeber**, Chicago, IL (US); **Chan Man Sing**, Hong Kong (CN); **William Arthur Hudson**, Fox Point, WI (US)
- (73) Assignee: **Berlin Packaging, LLC**, Chicago, IL (US)
- (\*\*) Term: **15 Years**
- (21) Appl. No.: **29/639,514**
- (22) Filed: **Mar. 7, 2018**
- (51) **LOC (11) Cl.** ..... **23-01**
- (52) **U.S. Cl.**  
USPC ..... **D23/213**
- (58) **Field of Classification Search**  
USPC ..... D23/213, 223, 225; 222/566; D9/434, D9/435, 447, 448; 239/271-2  
CPC ..... A62C 31/02; A62C 31/03; B05B 1/304; B05B 1/308; B65D 47/247; B65D 47/24; B65D 47/32; B65D 47/06  
See application file for complete search history.

- 2,993,655 A \* 7/1961 O'Brien ..... B05B 1/12 239/582.1
- 3,001,725 A \* 9/1961 Lockett ..... B05B 1/12 239/458
- D200,961 S \* 4/1965 Belnert ..... D23/225
- D205,337 S \* 7/1966 Sheldall ..... D23/225
- 3,363,842 A \* 1/1968 Burns ..... A62C 31/03 239/441
- D256,271 S 8/1980 Tada
- D358,865 S 5/1995 Englhard et al.
- D429,794 S 8/2000 Beaver et al.
- D431,068 S 9/2000 Beaver et al.
- D433,095 S 10/2000 Beaver et al.
- D445,872 S \* 7/2001 Ketcham ..... D23/225
- D451,581 S 12/2001 Shanklin et al.

(Continued)

*Primary Examiner* — Robin V Webster  
(74) *Attorney, Agent, or Firm* — Adam K. Sacharoff; Much Shelist, P.C.

(57) **CLAIM**

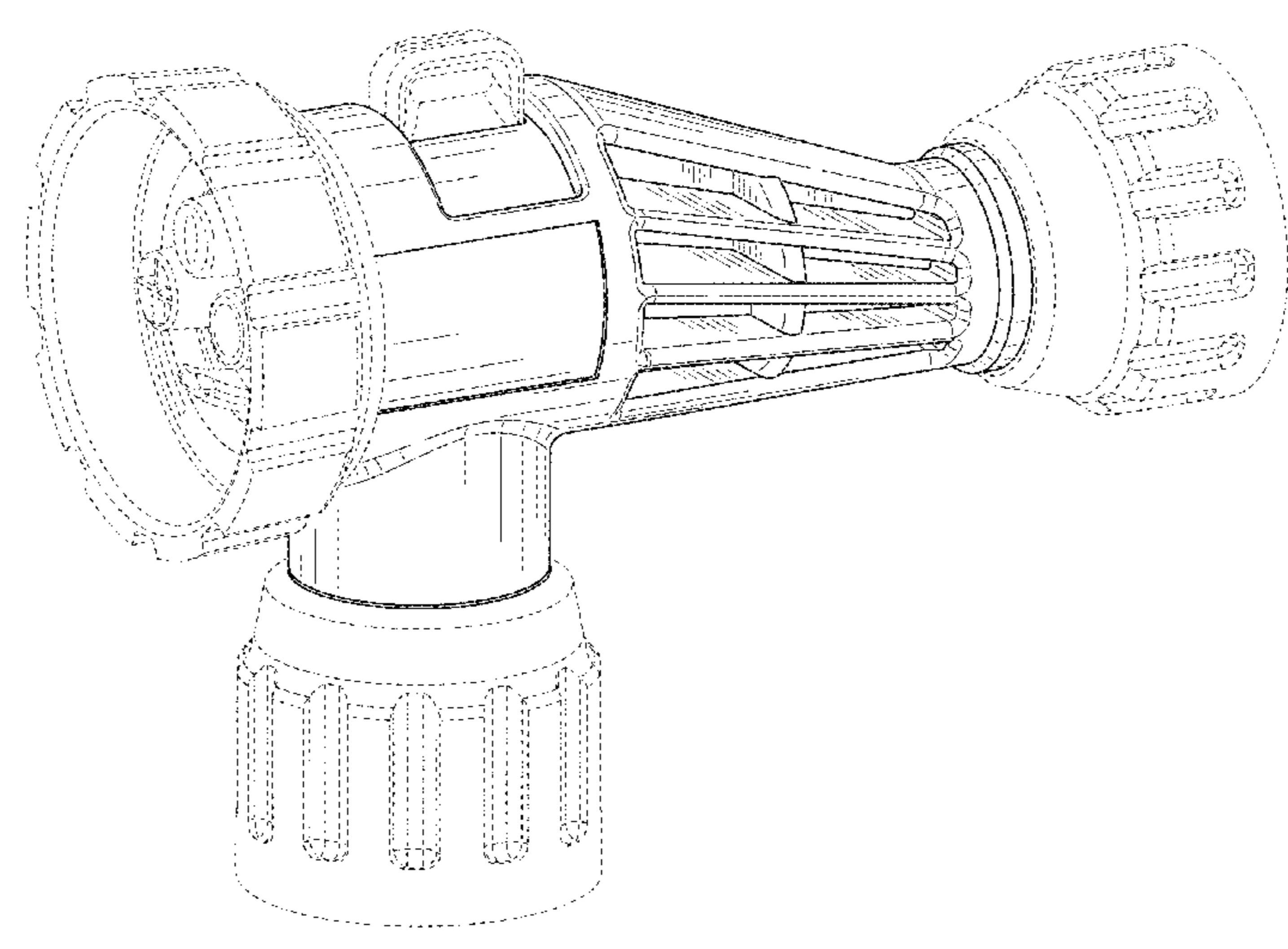
The ornamental design for a hose attachment body, as shown and described.

**DESCRIPTION**

FIG. 1 is a front left side perspective view showing the new design for a hose attachment body;  
FIG. 2 is a front right side perspective view thereof;  
FIG. 3 is a rear right side perspective view thereof;  
FIG. 4 is a rear left side perspective view thereof;  
FIG. 5 is a front view thereof;  
FIG. 6 is a rear view thereof;  
FIG. 7 is a left side view thereof;  
FIG. 8 is a right side view thereof;  
FIG. 9 is a top plan view thereof; and,  
FIG. 10 is a bottom plan view thereof.  
The broken lines in the Figures are included to show unclaimed subject matter only and form no part of the claimed design.

**1 Claim, 9 Drawing Sheets**

- (56) **References Cited**  
U.S. PATENT DOCUMENTS
- 2,343,647 A \* 3/1944 Doerr ..... B05B 1/308 239/457
- 2,364,905 A \* 12/1944 Lewis ..... A62C 31/02 239/457
- 2,376,881 A \* 5/1945 Nielsen ..... A62C 31/02 239/441
- 2,388,508 A \* 11/1945 Timpson ..... A62C 31/02 169/14



(56)

**References Cited**

U.S. PATENT DOCUMENTS

D509,560	S *	9/2005	Hubmann .....	A62C 31/02 D23/213
D709,988	S *	7/2014	Ford .....	A62C 31/02 D23/213
D760,870	S *	7/2016	Popek .....	A62C 31/02 D23/225
9,725,293	B2 *	8/2017	Quasters .....	B65D 23/02
D821,541	S *	6/2018	McDonnell .....	B65D 47/247 D23/213
D825,030	S *	8/2018	McDonnell .....	B05B 1/12 D23/213
D827,773	S *	9/2018	Schneider .....	B05B 1/308 D23/225
10,077,145	B1 *	9/2018	Boucher .....	B65D 47/247
D831,791	S *	10/2018	Tse .....	B65D 23/02 D23/213

\* cited by examiner

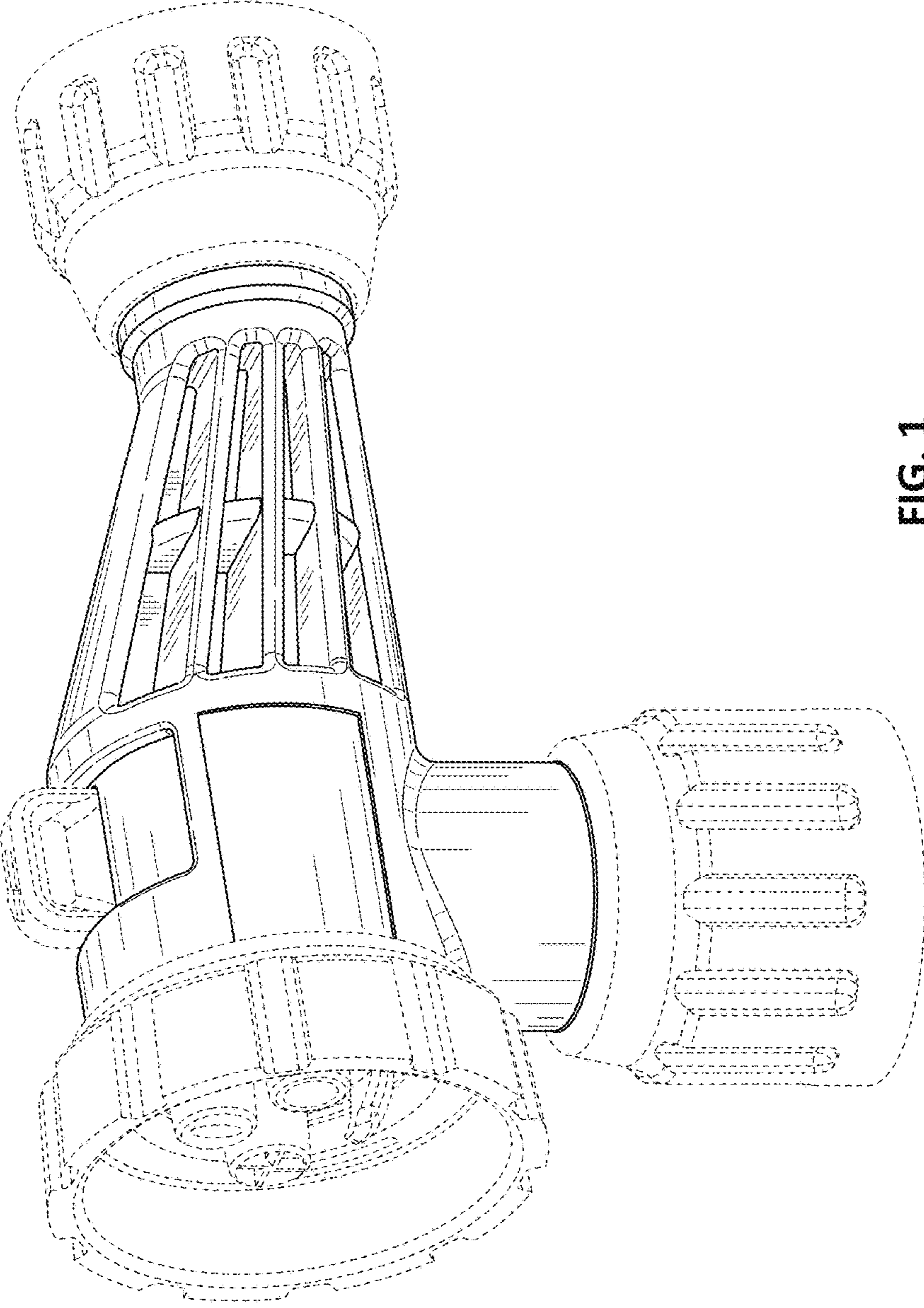


FIG. 1

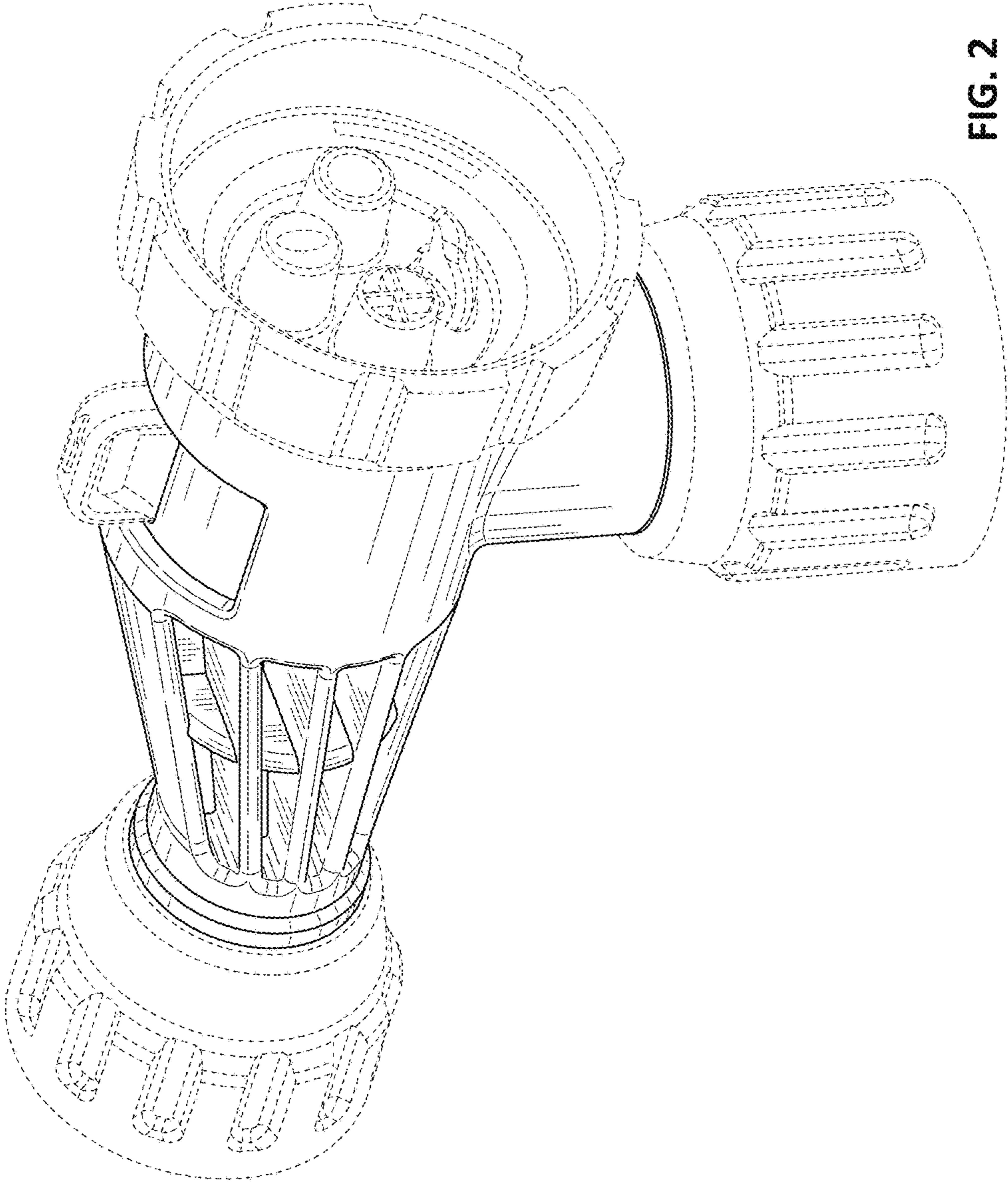


FIG. 2

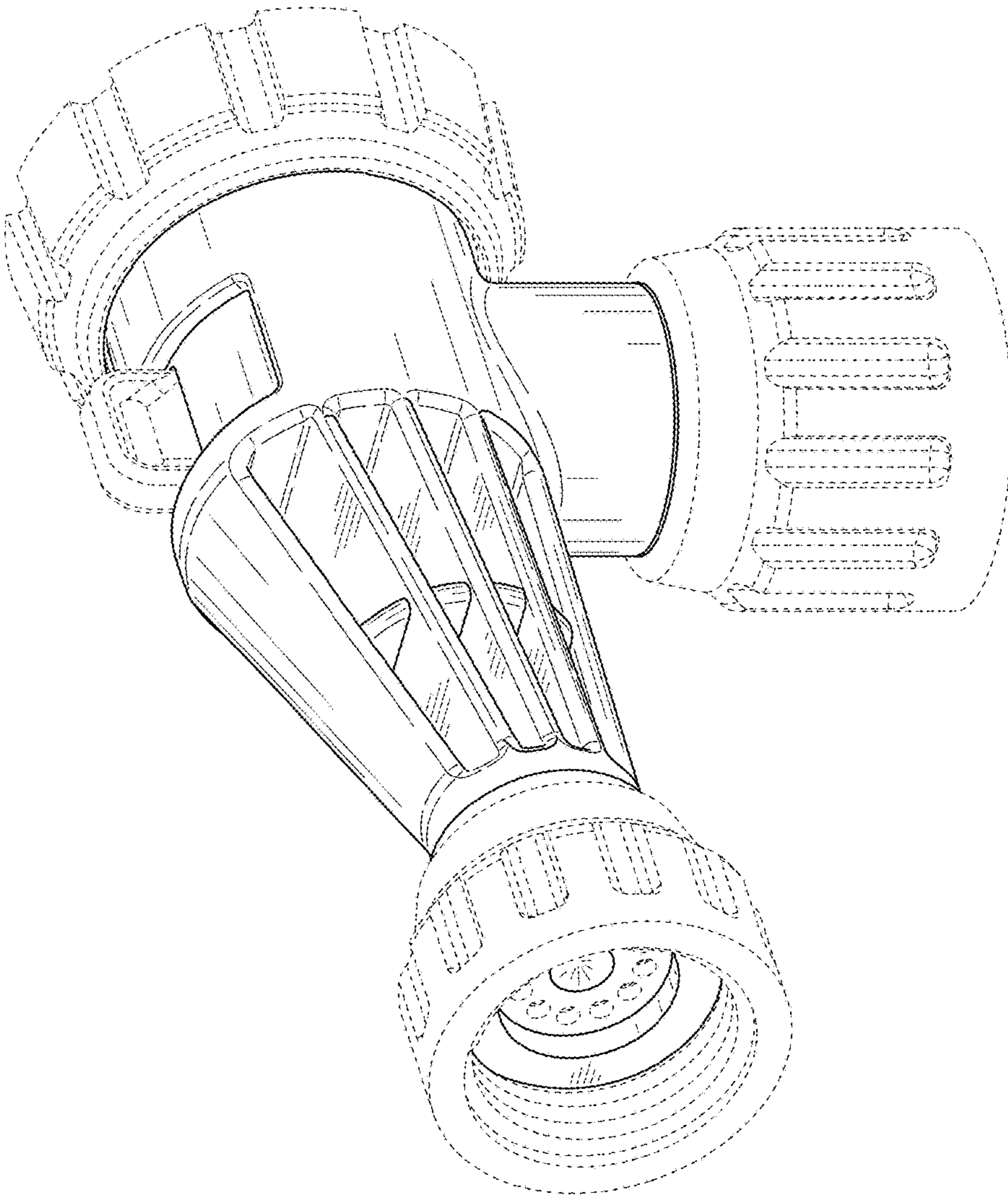


FIG. 3

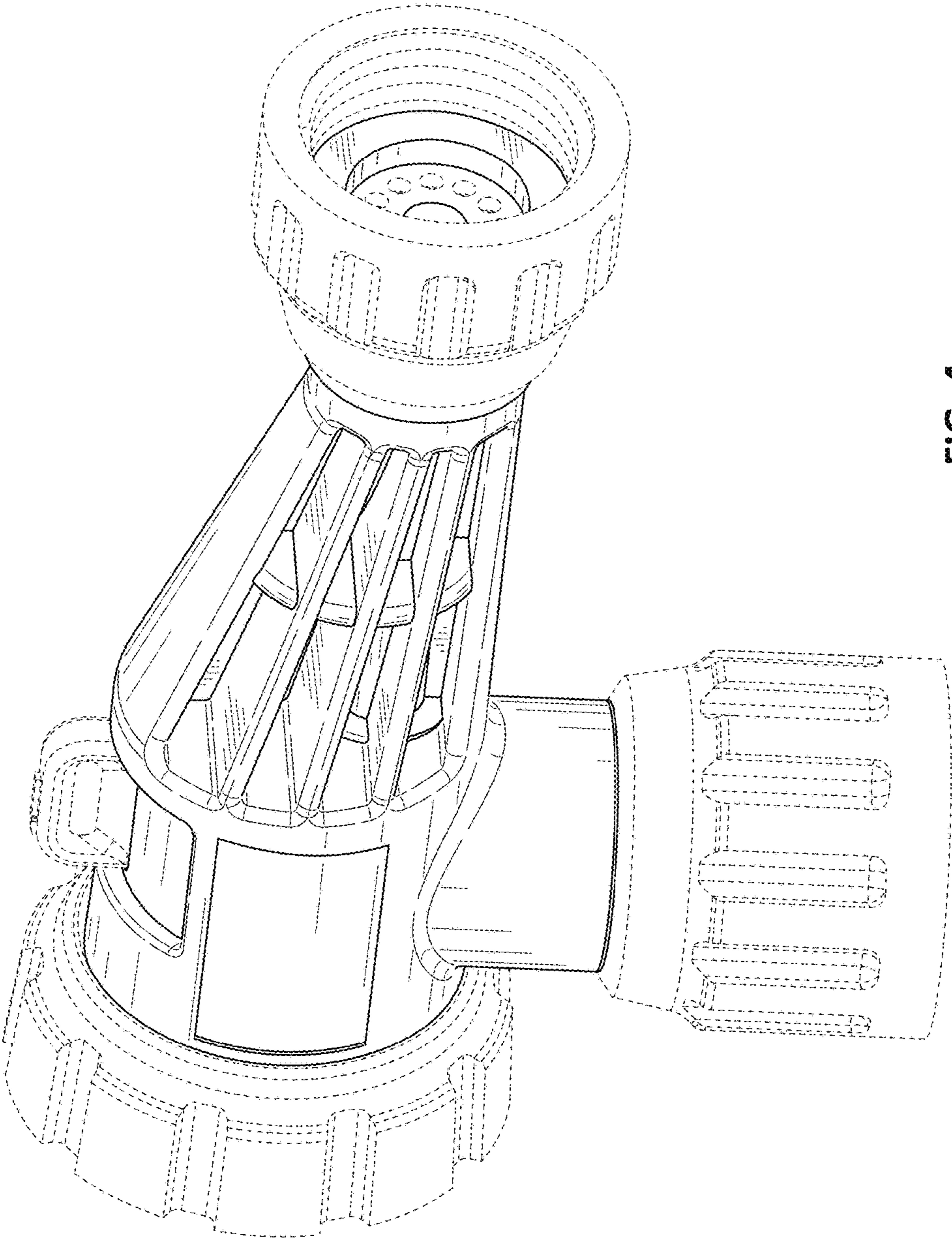


FIG. 4

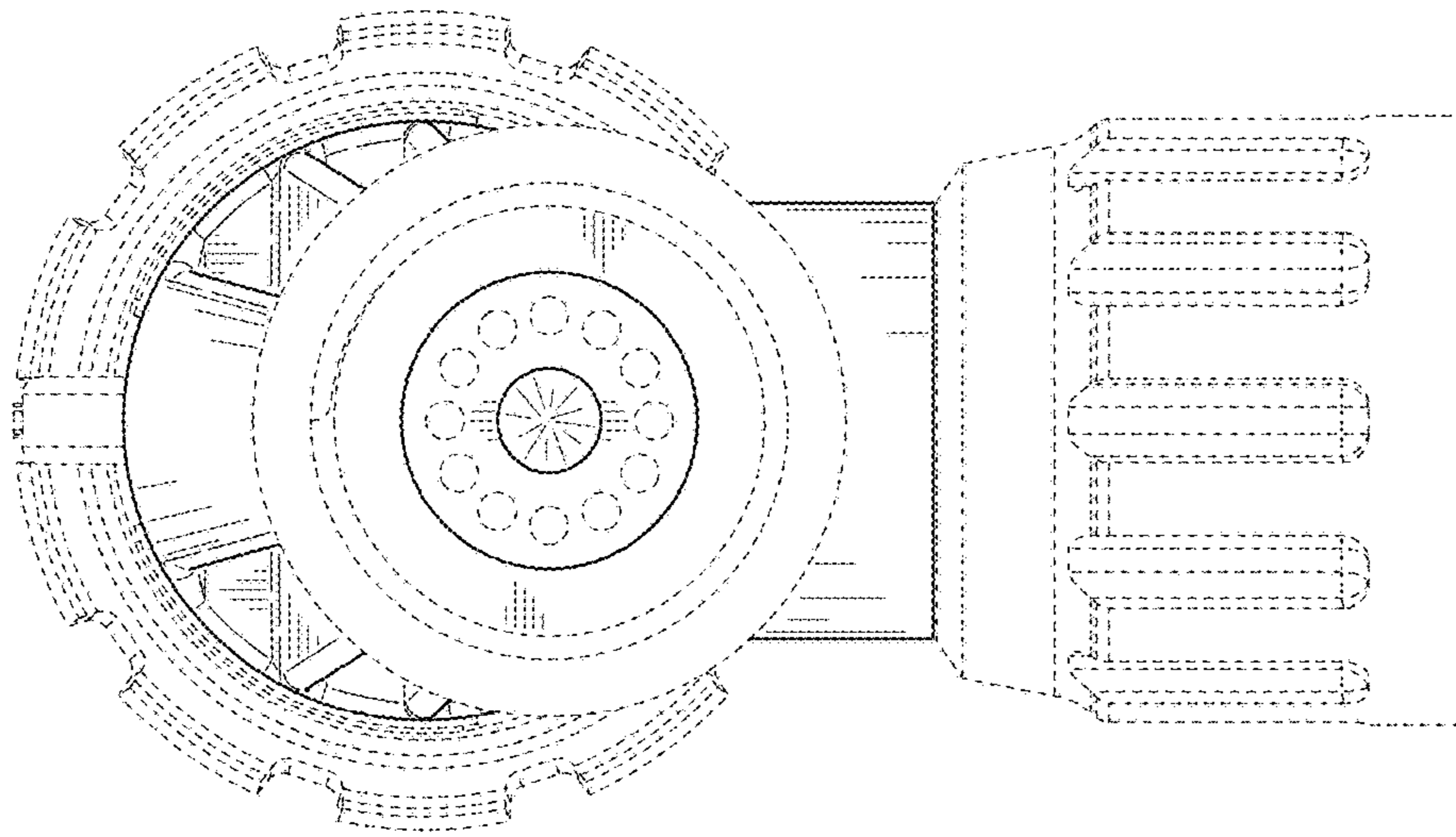


FIG. 6

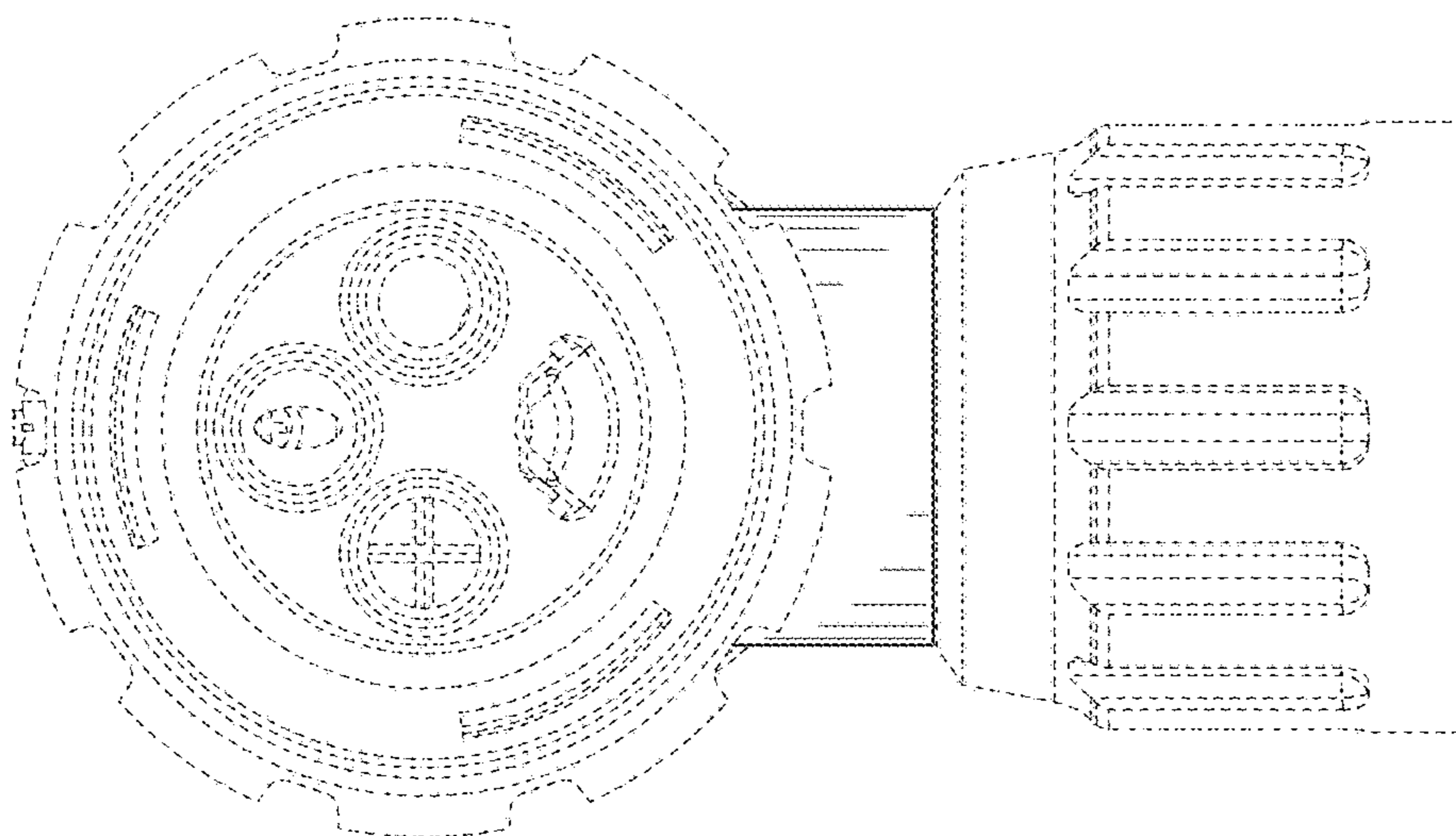


FIG. 5

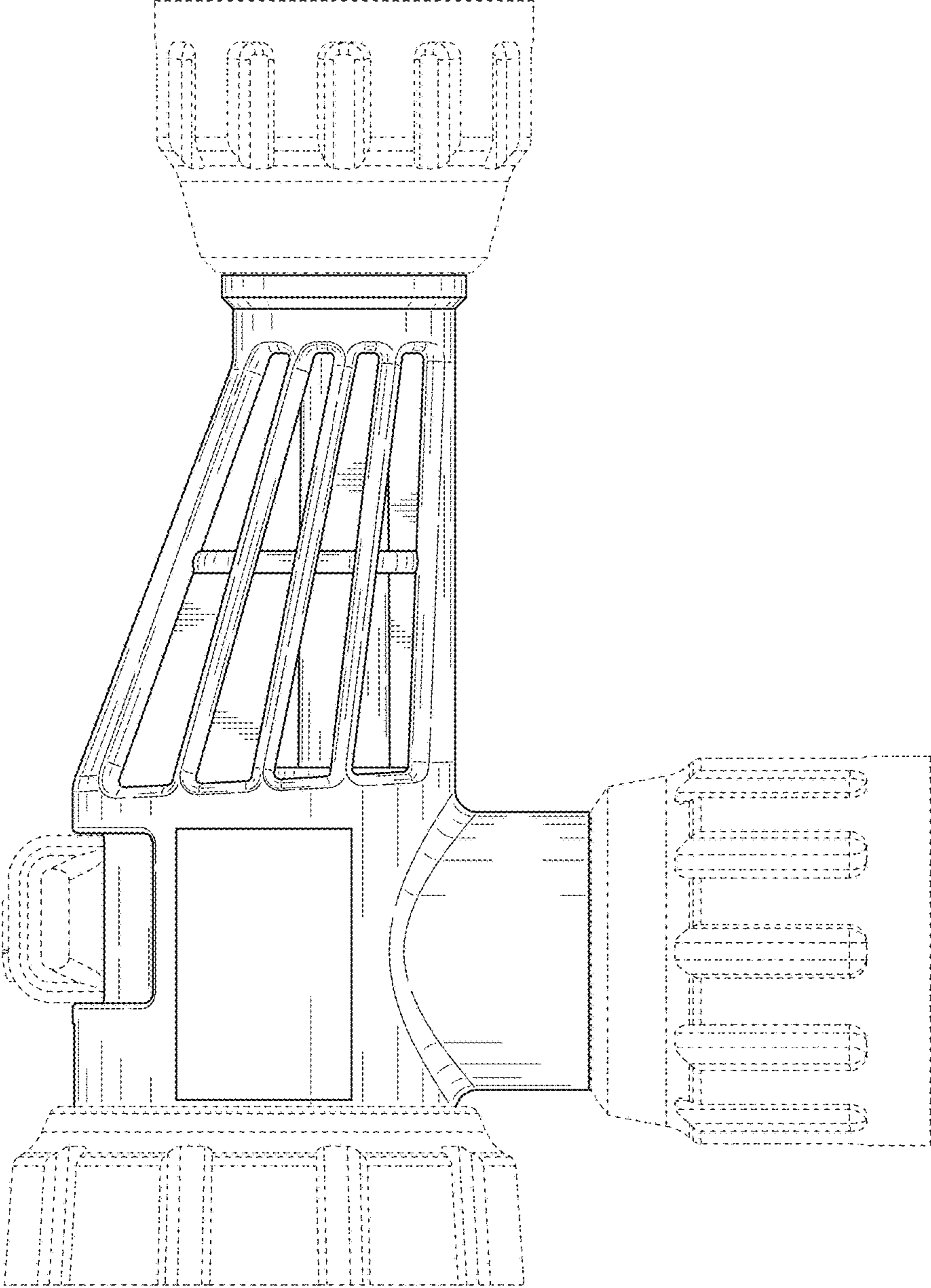


FIG. 7



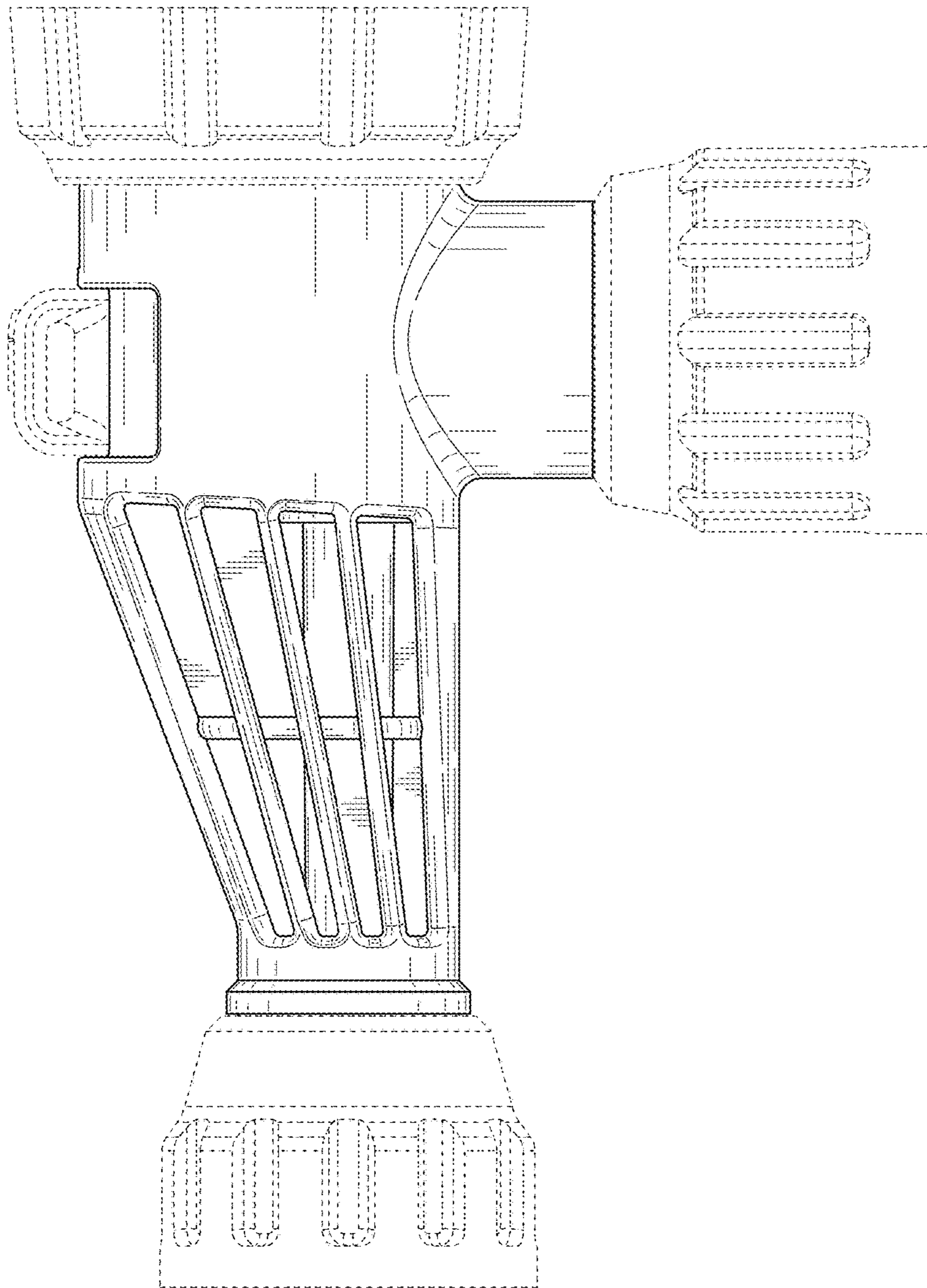


FIG. 8

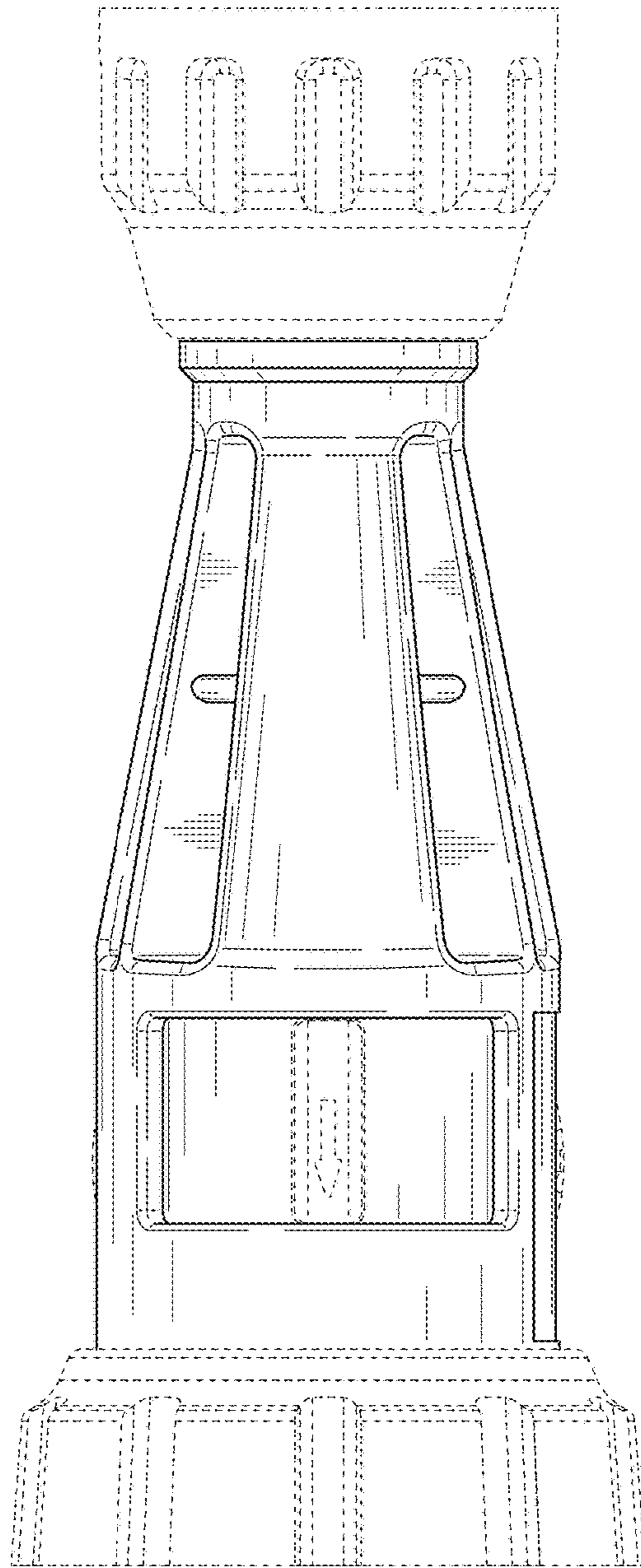


FIG. 9

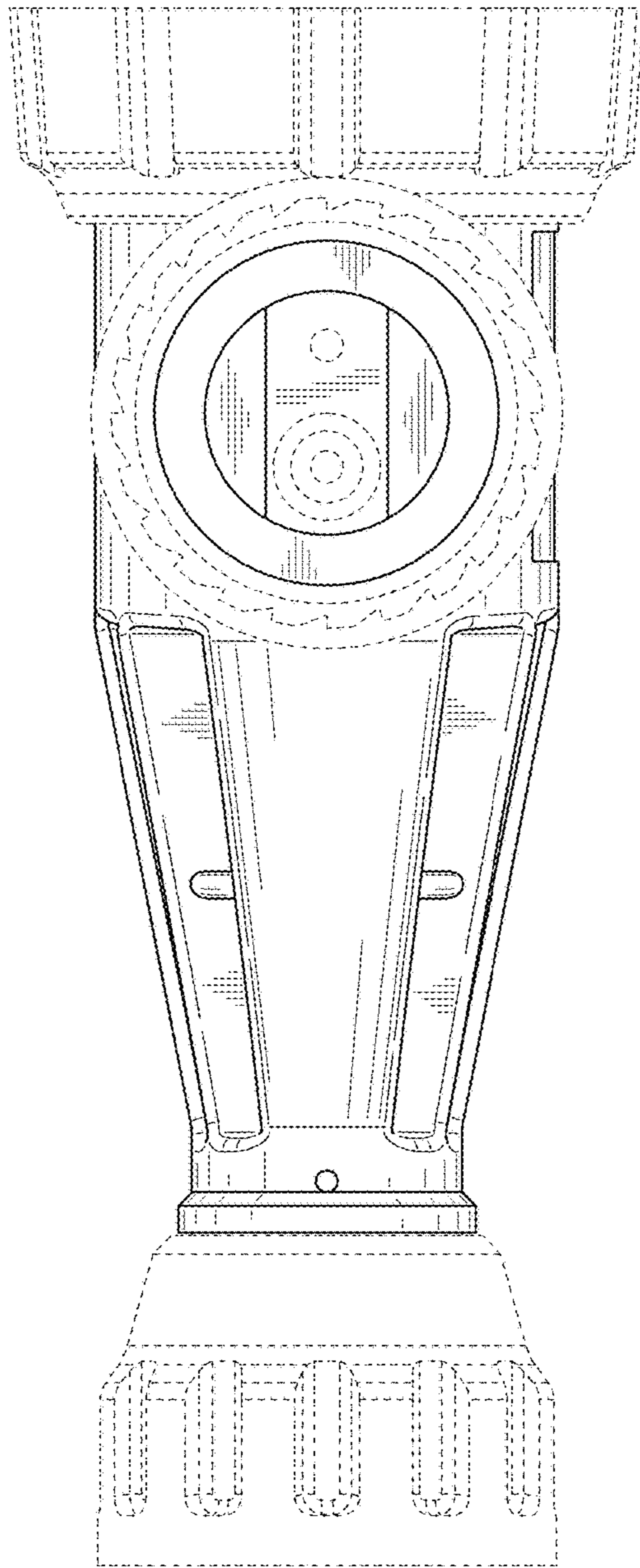


FIG. 10