



US00D851727S

(12) **United States Design Patent**  
**Krombein**

(10) **Patent No.:** **US D851,727 S**

(45) **Date of Patent:** **\*\* Jun. 18, 2019**

(54) **WATERJET APPARATUS**

(71) Applicant: **Todd Krombein**, Phoenix, AZ (US)

(72) Inventor: **Todd Krombein**, Phoenix, AZ (US)

(\*\*) Term: **15 Years**

(21) Appl. No.: **29/598,602**

(22) Filed: **Mar. 27, 2017**

(51) **LOC (11) Cl.** ..... **23-01**

(52) **U.S. Cl.**

USPC ..... **D23/213**

(58) **Field of Classification Search**

USPC ..... D23/213; D24/201; 239/589; 4/490,  
4/492, 496, 541.6

CPC ..... E04H 4/169; B05B 1/34; B05B 15/70

See application file for complete search history.

(56) **References Cited**

**U.S. PATENT DOCUMENTS**

4,391,005	A *	7/1983	Goettl	.....	E04H 4/169 134/167 R
6,301,723	B1 *	10/2001	Goettl	.....	E04H 4/169 239/204
6,340,035	B2	1/2002	Wright		
7,325,753	B2 *	2/2008	Gregory	.....	B05B 1/02 239/522
7,708,212	B1 *	5/2010	Conn	.....	E04H 4/169 239/589
D629,116	S *	12/2010	Barajas	.....	D24/201
D698,032	S *	1/2014	Steimle	.....	D24/201
D700,972	S *	3/2014	Sears	.....	D24/201
8,984,677	B1 *	3/2015	Lopez	.....	E04H 4/169 4/440
8,991,730	B2 *	3/2015	Kah, Jr.	.....	B05B 15/70 239/581.1
D733,901	S *	7/2015	Steimle	.....	E04H 4/169 D24/201

D762,867 S \* 8/2016 Walker ..... E04H 4/169  
D24/201

D762,868 S \* 8/2016 Walker ..... E04H 4/169  
D24/201

D813,981 S \* 3/2018 Krombein ..... E04H 4/169  
D23/213

**OTHER PUBLICATIONS**

Photographs of a Polaris Caretaker Pop-Up Cleaning Head, in 5 pages, sold prior to Apr. 20, 2015.

\* cited by examiner

*Primary Examiner* — Robin V Webster

(74) *Attorney, Agent, or Firm* — Knobbe, Martens, Olson & Bear, LLP

(57) **CLAIM**

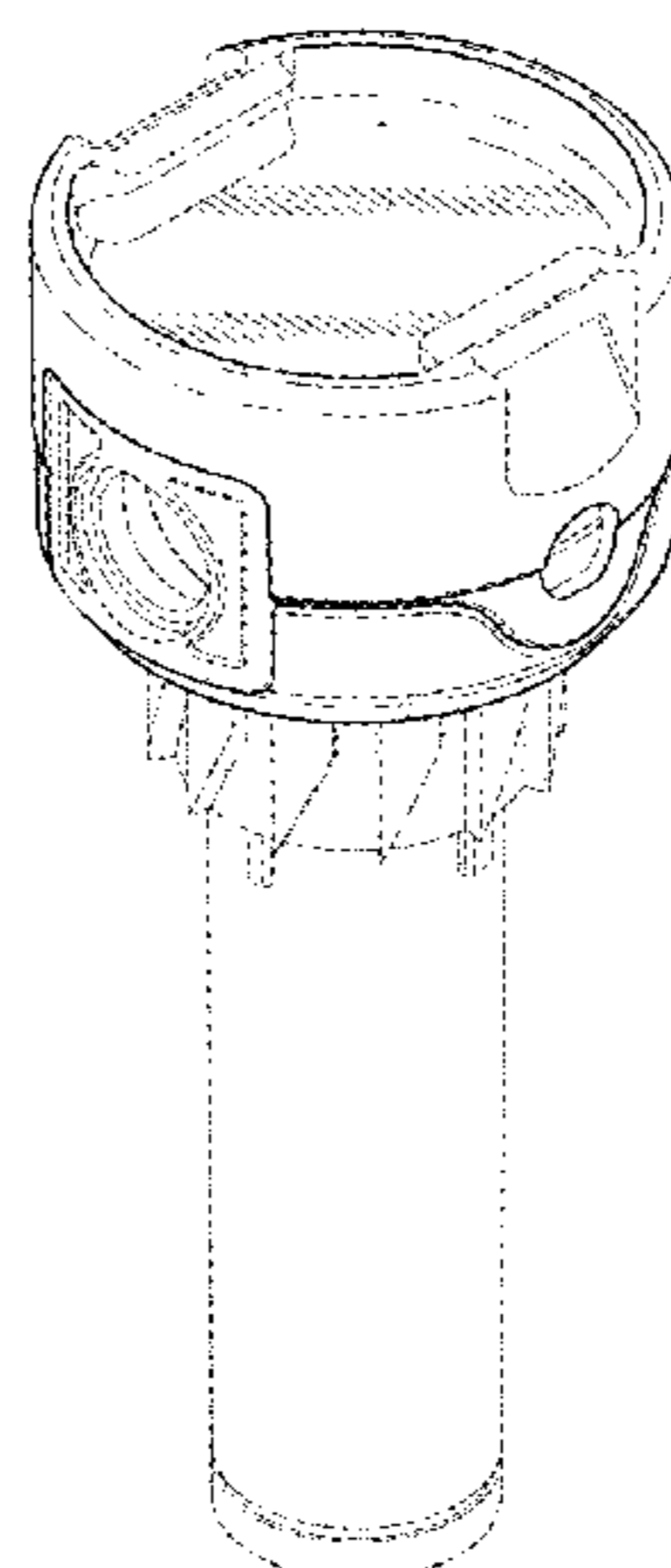
The ornamental design for a waterjet apparatus, as shown and described.

**DESCRIPTION**

FIG. 1 is a top-side isometric view of an embodiment of the design for a waterjet apparatus;  
FIG. 2 is a first side view thereof;  
FIG. 3 is a second side view thereof;  
FIG. 4 is a third side view thereof;  
FIG. 5 is a fourth side view thereof;  
FIG. 6 is a top view thereof; and,  
FIG. 7 is a bottom view thereof.

The broken lines showing portions of the waterjet apparatus are included for the purpose of illustrating and form no part of the claimed design.

**1 Claim, 4 Drawing Sheets**



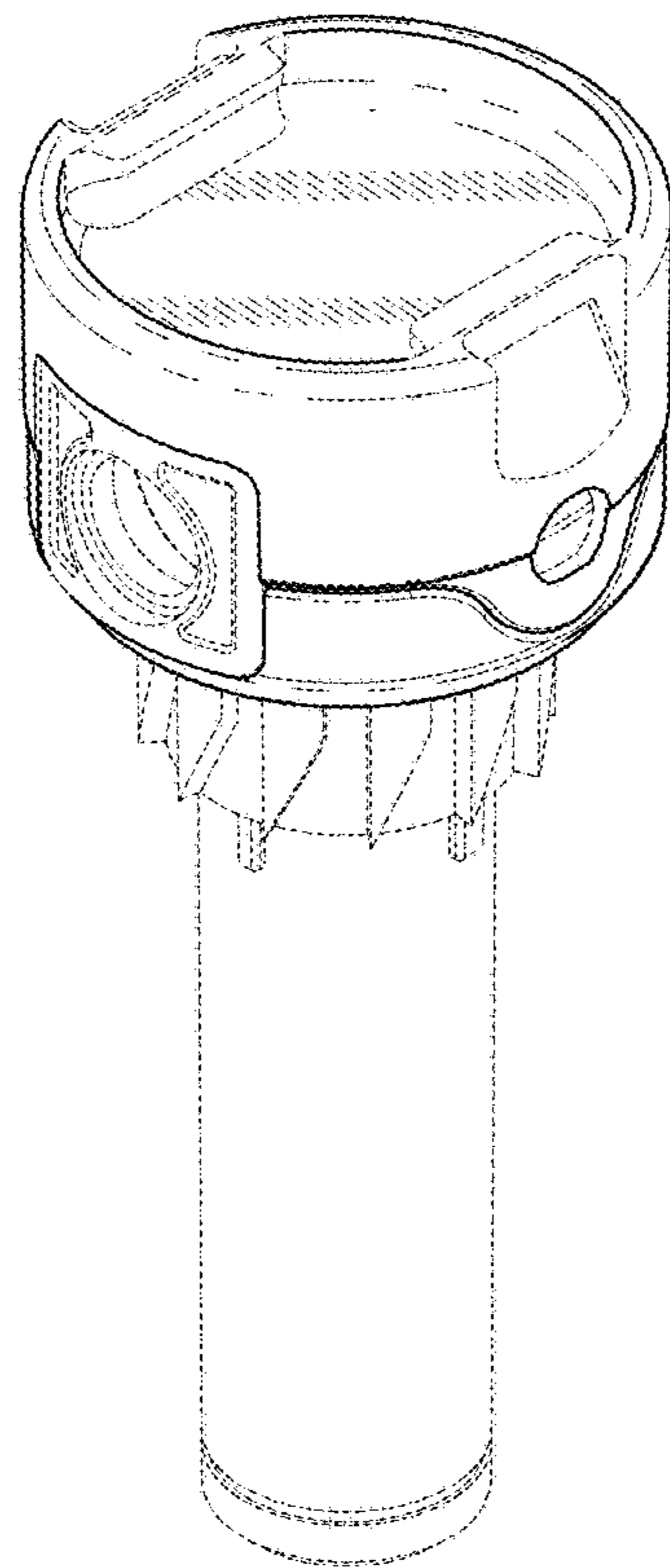


FIG. 1

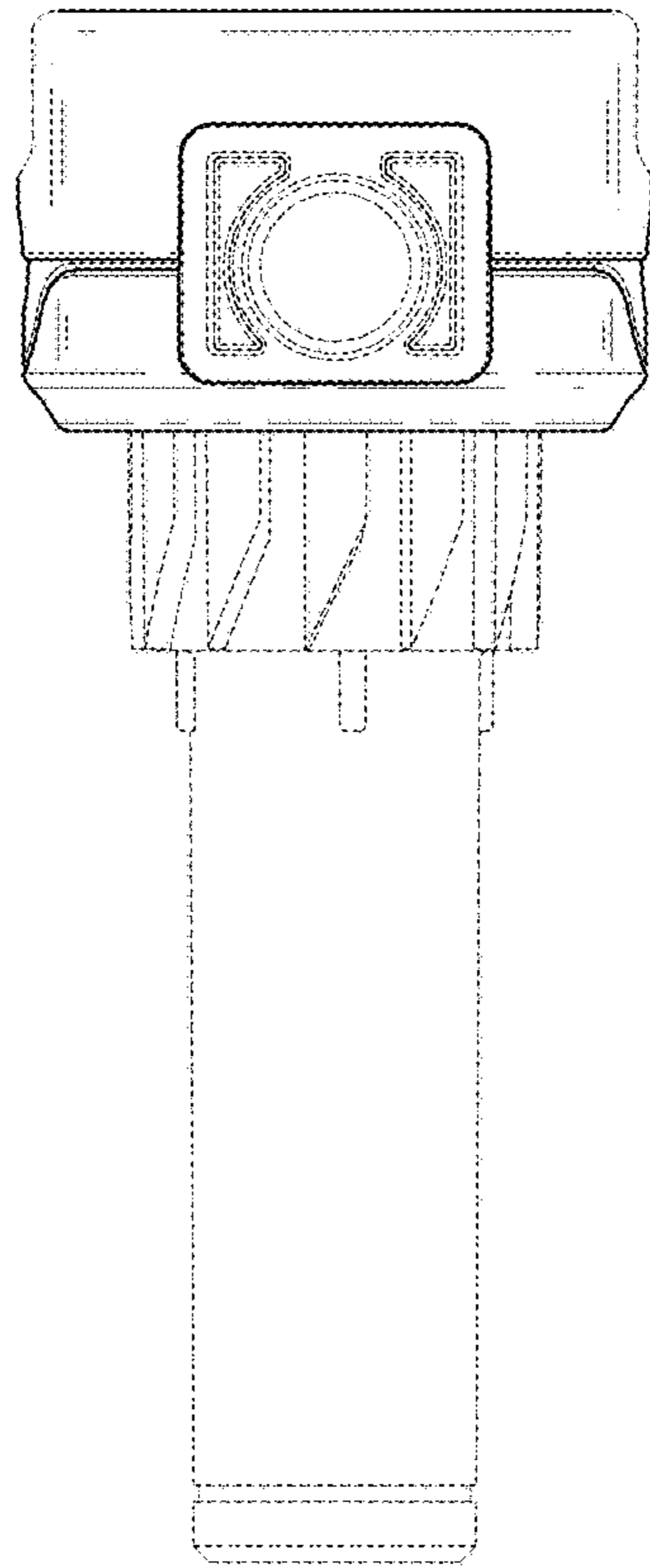


FIG. 2

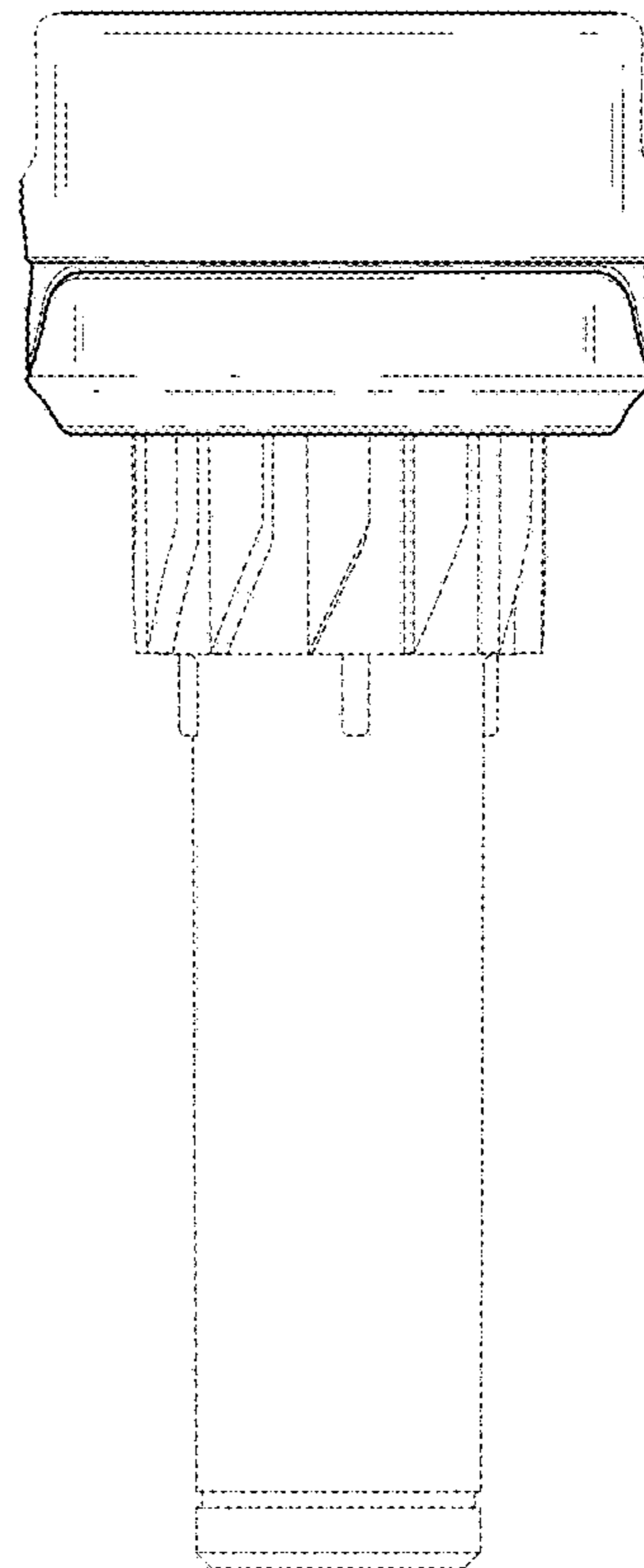


FIG. 3

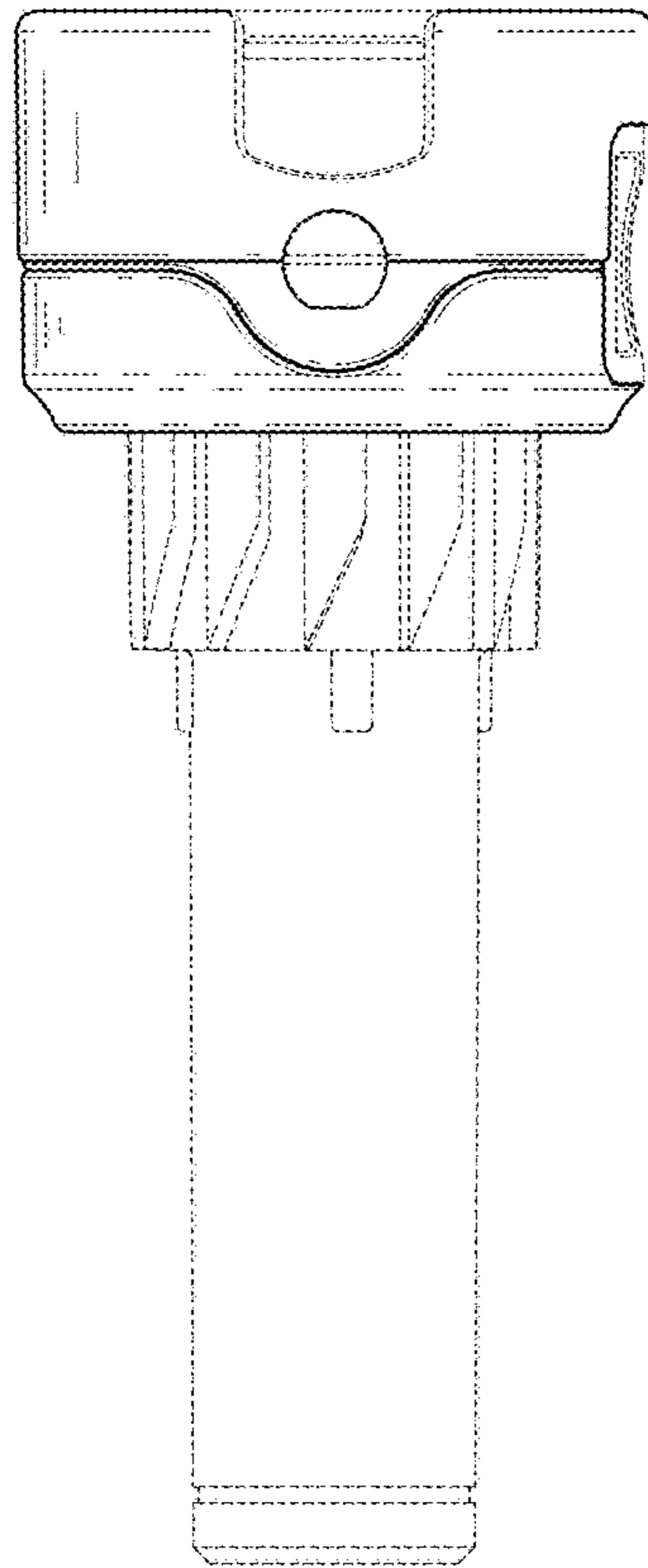


FIG. 4

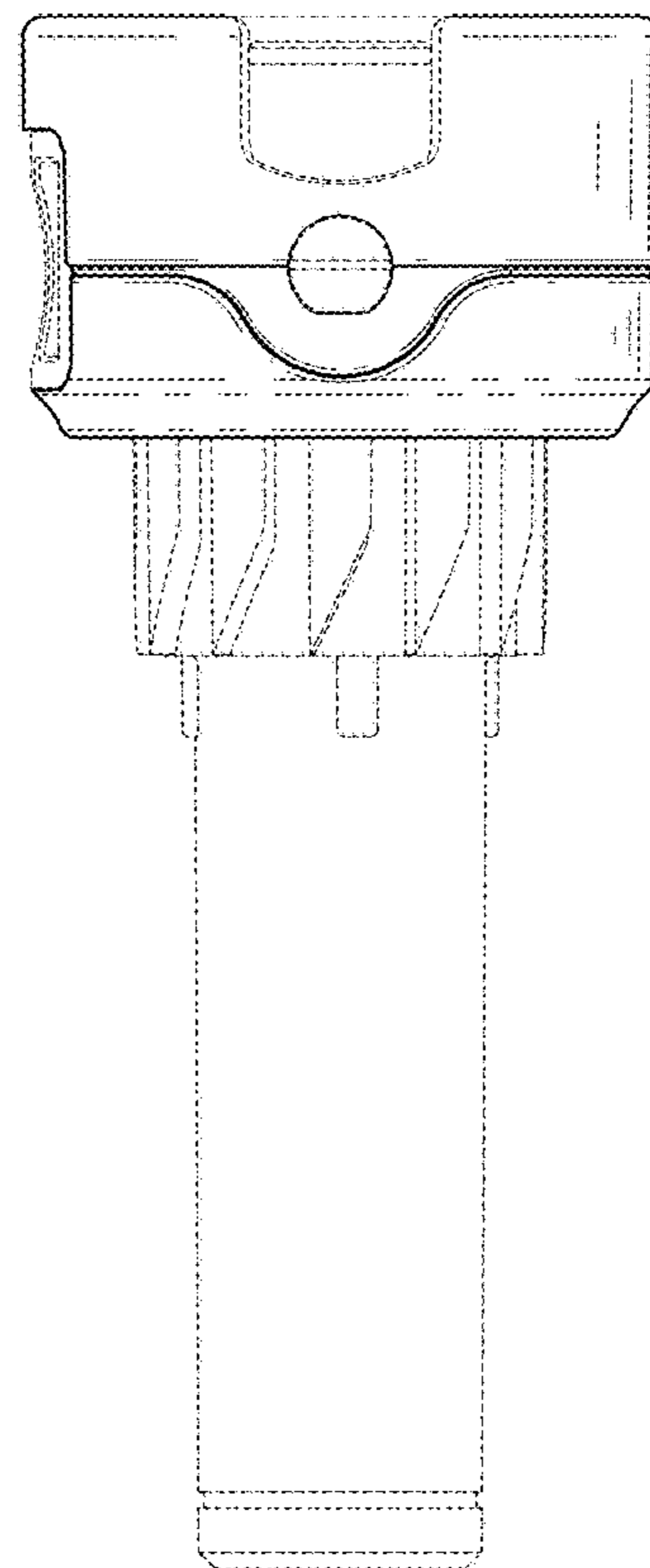


FIG. 5

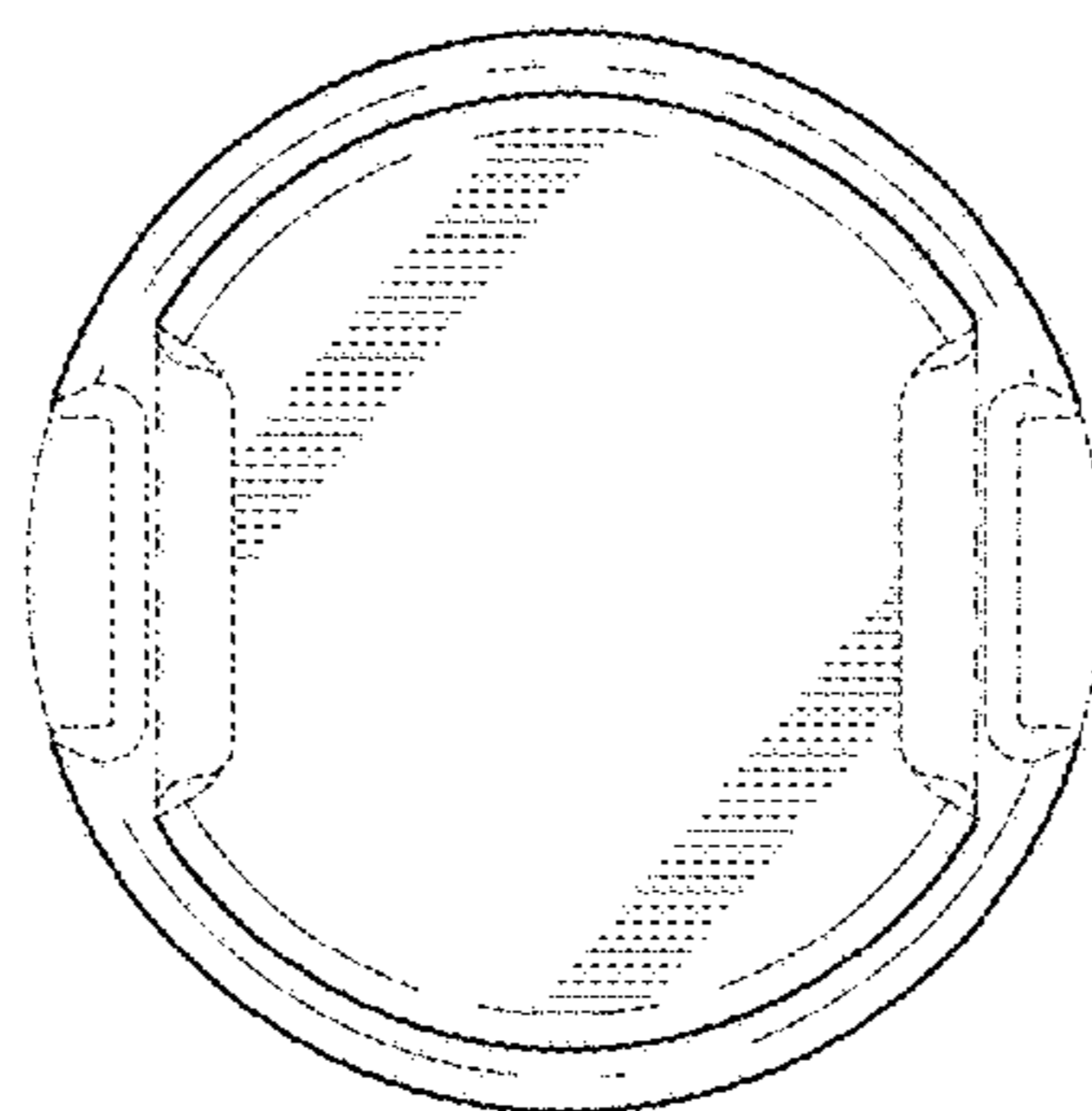


FIG. 6

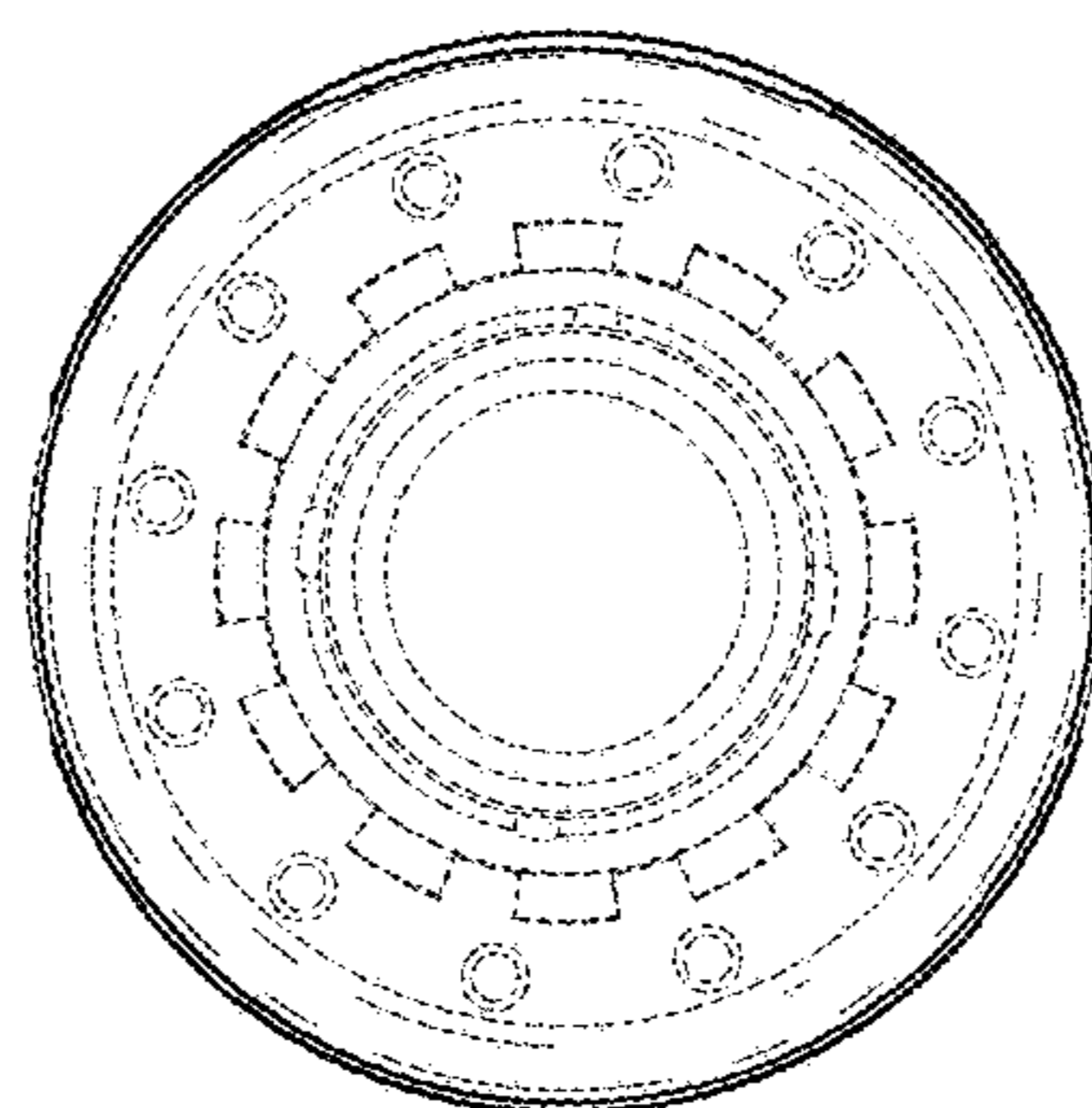


FIG. 7