



US00D851726S

(12) **United States Design Patent**
Erickson et al.

(10) **Patent No.:** **US D851,726 S**
(45) **Date of Patent:** **** Jun. 18, 2019**

- (54) **MULTI-FUNCTION BOOM**
- (71) Applicant: **Pacific Netting Products Inc.,**
Kingston, WA (US)
- (72) Inventors: **Dave Erickson, Kingston, WA (US);**
Ralph Ford, Kingston, WA (US); Alec
Coultas, Kingston, WA (US); Andy
Peters, Kingston, WA (US)
- (73) Assignee: **Pacific Netting Products Inc.,**
Kingston, WA (US)

5,533,832 A *	7/1996	Dugger	E02B 15/06
				405/63
5,688,075 A *	11/1997	Gradek	E02B 15/06
				405/63
6,860,677 B2 *	3/2005	Johnston	E02B 8/023
				210/170.1
7,326,354 B2 *	2/2008	Ferreira	E02B 15/06
				210/776
7,862,258 B2 *	1/2011	Meyers	E02B 3/26
				405/215
8,348,549 B2 *	1/2013	Stiles	E02B 15/06
				405/60
9,267,256 B2 *	2/2016	Sorstrom	E02B 15/08

(**) Term: **15 Years**

* cited by examiner

(21) Appl. No.: **29/610,480**

Primary Examiner — Robin V Webster

(22) Filed: **Jul. 12, 2017**

(74) *Attorney, Agent, or Firm* — Newman Du Wors LLP

(51) **LOC (11) Cl.** **23-01**

(52) **U.S. Cl.**

USPC **D23/200**

(58) **Field of Classification Search**

USPC D23/200, 206, 207, 209

CPC E02B 15/00; E02B 15/06; E02B 15/0871;

E02B 15/08; E02B 15/085; E02B

15/0864

See application file for complete search history.

(56) **References Cited**

U.S. PATENT DOCUMENTS

4,073,143 A * 2/1978 Preus E02B 15/06

210/923

5,348,661 A * 9/1994 Hill C02F 1/681

210/680

(57) **CLAIM**

The ornamental design for a multi-function boom, as shown and described.

DESCRIPTION

FIG. 1 is a perspective view of the multi-function boom showing the new ornamental design without a skirt attached.

FIG. 2 is a front view thereof.

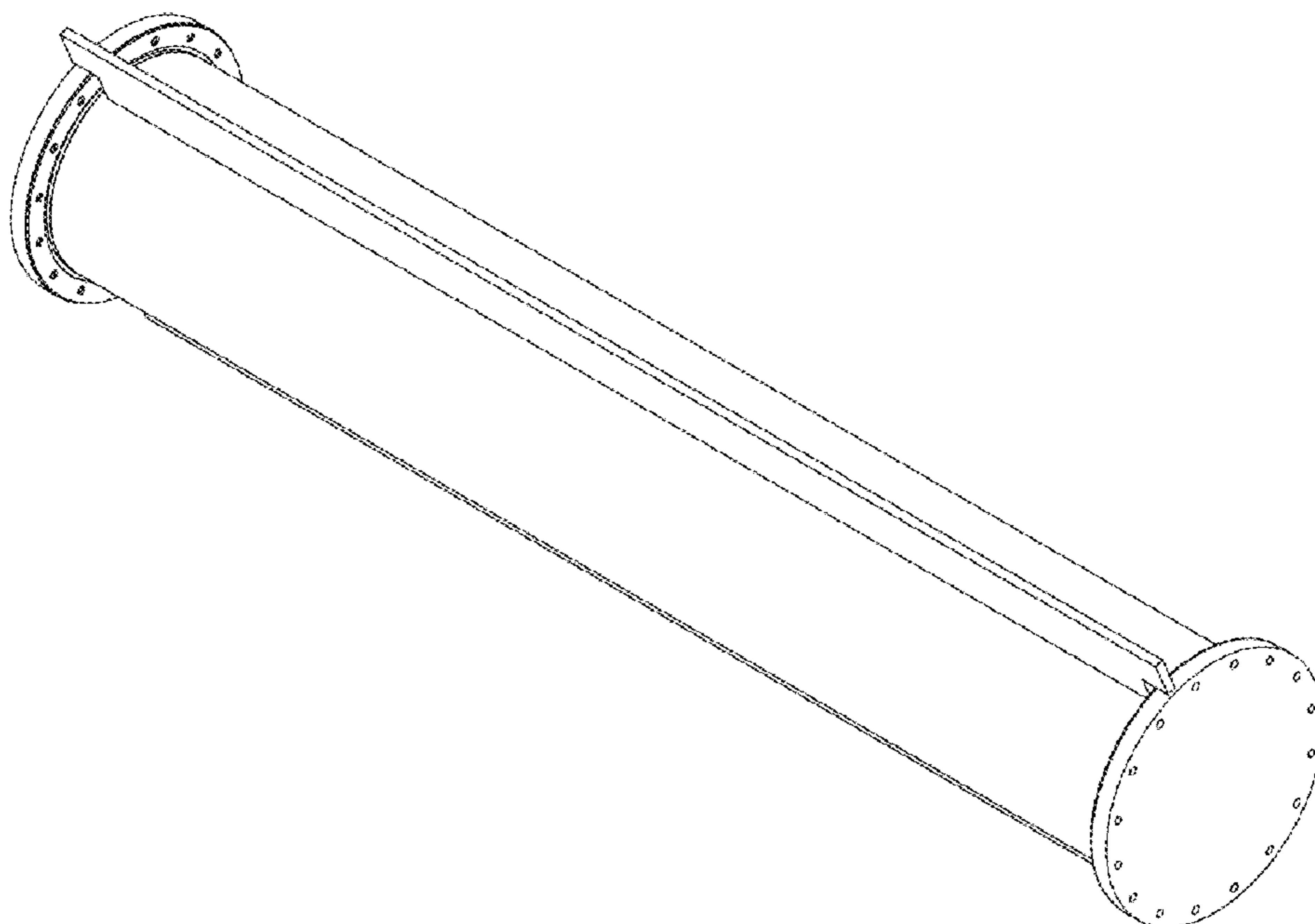
FIG. 3 is a rear view thereof.

FIG. 4 is a top view thereof.

FIG. 5 is a right view thereof; and,

FIG. 6 is a left view thereof.

1 Claim, 6 Drawing Sheets



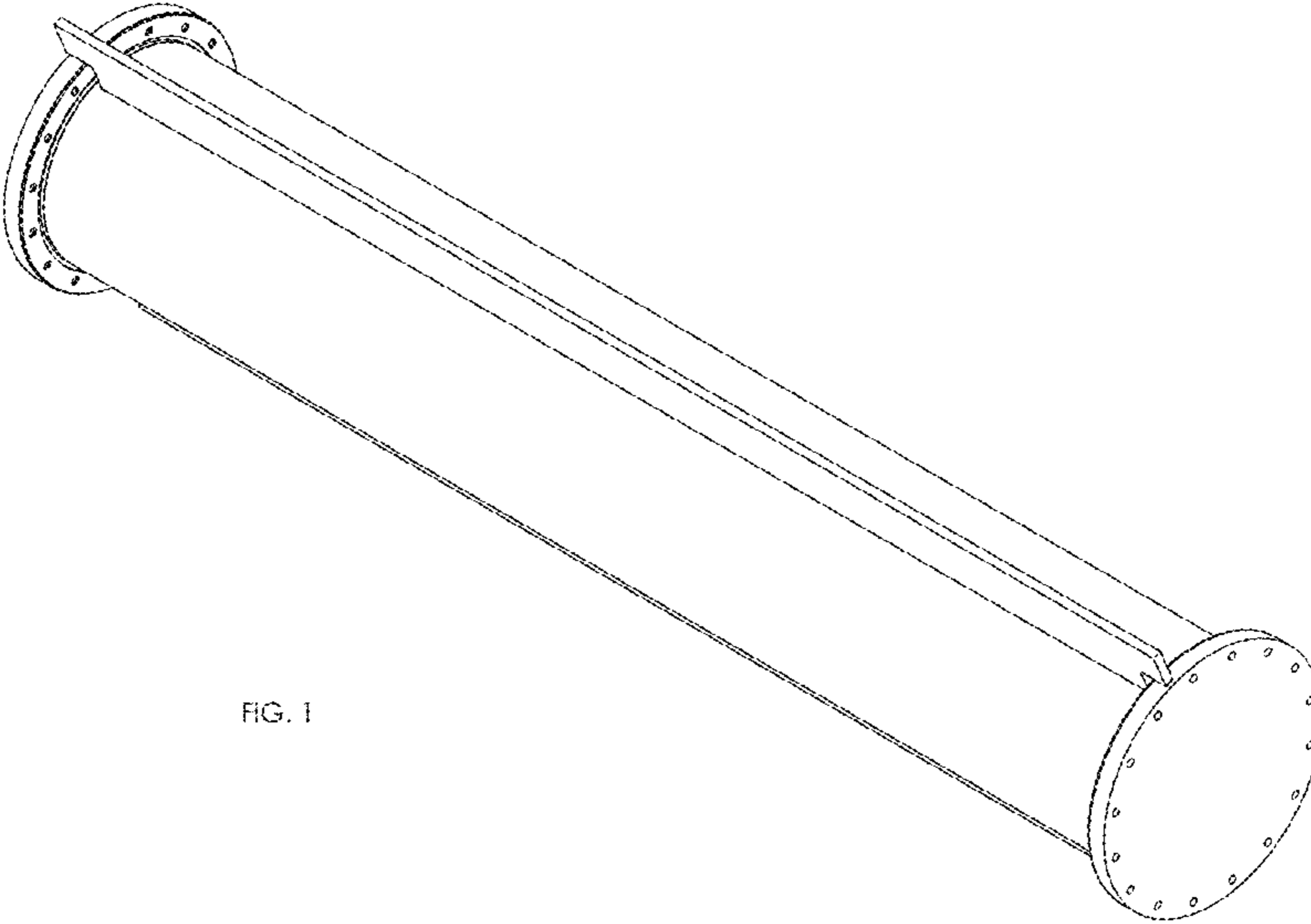


FIG. 1

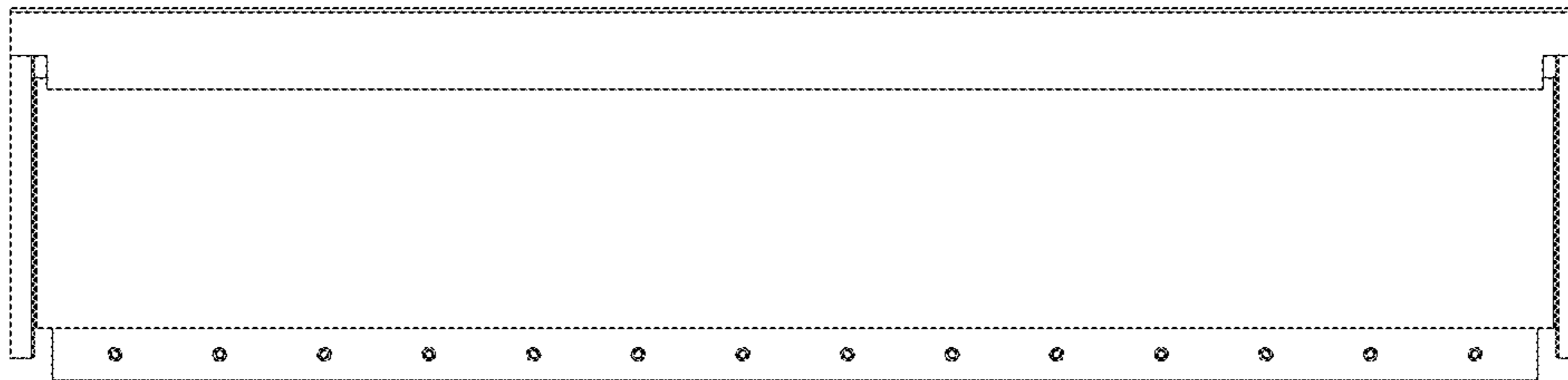


FIG. 2

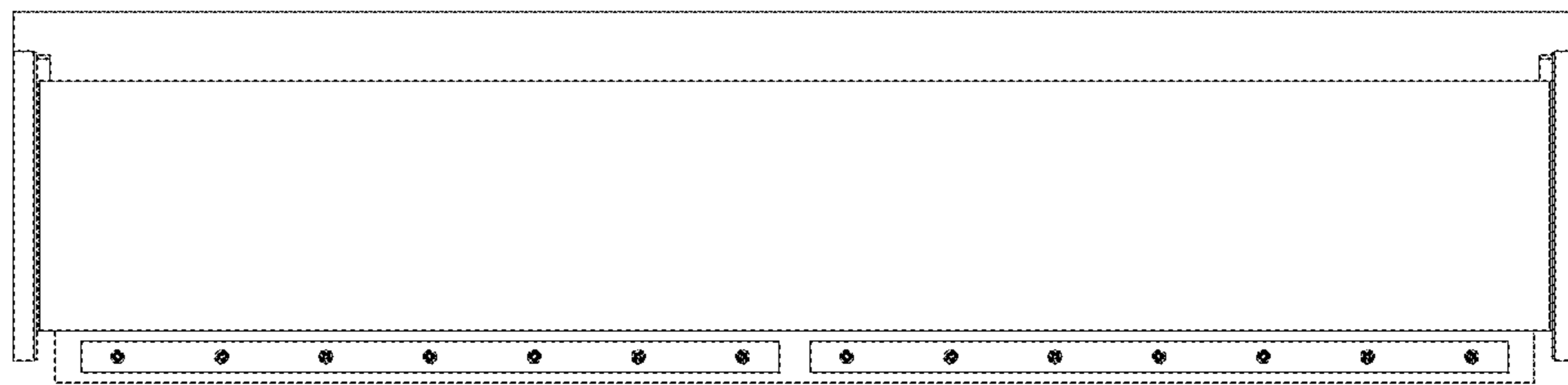


FIG. 3

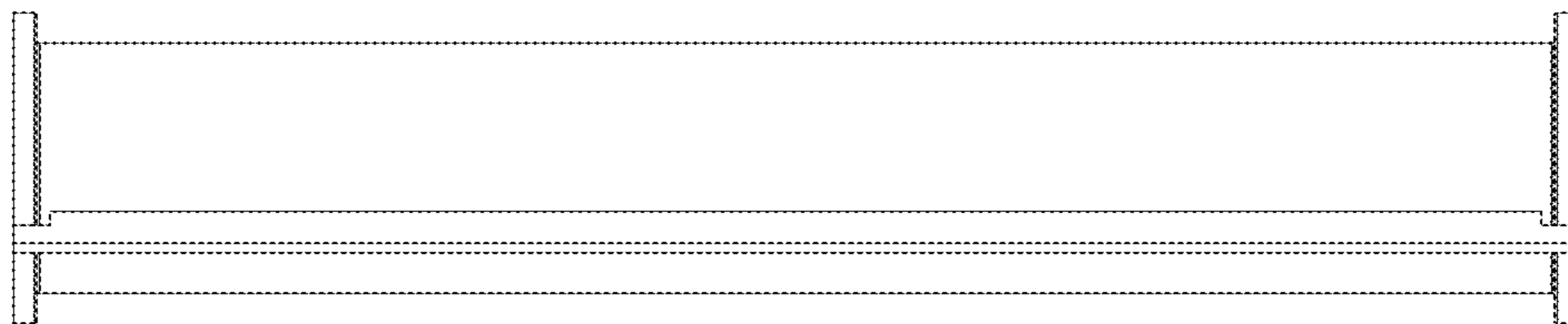


FIG. 4

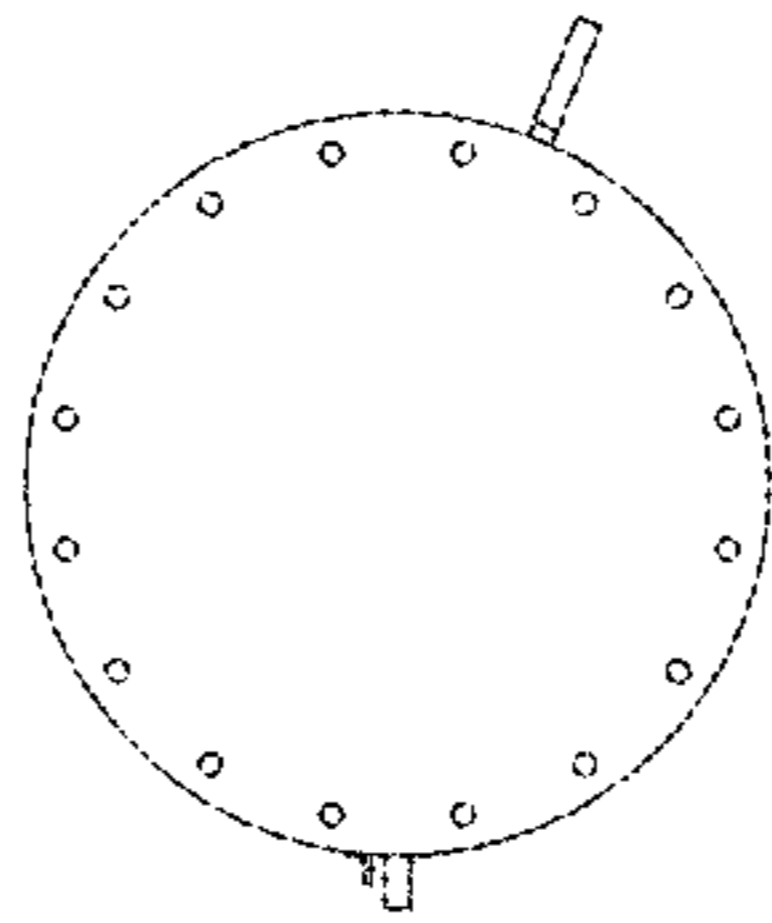


FIG. 5

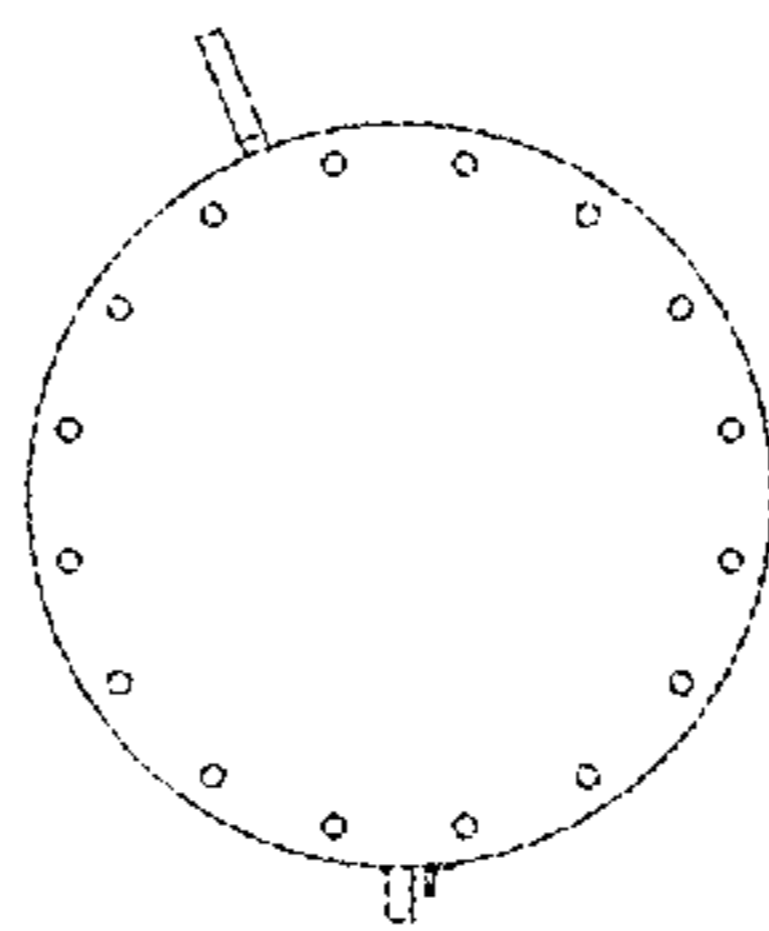


FIG. 6