



US00D851725S

(12) **United States Design Patent**  
**Mullen**

(10) **Patent No.:** **US D851,725 S**  
(45) **Date of Patent:** **\*\* Jun. 18, 2019**

- (54) **FISH VENT**
- (71) Applicant: **Steve Mullen**, Atlantic Beach, FL (US)
- (72) Inventor: **Steve Mullen**, Atlantic Beach, FL (US)
- (\*\*) Term: **15 Years**
- (21) Appl. No.: **29/628,507**
- (22) Filed: **Dec. 5, 2017**
- (51) **LOC (11) Cl.** ..... **22-05**
- (52) **U.S. Cl.**  
USPC ..... **D22/149**
- (58) **Field of Classification Search**  
USPC ..... D22/149-150, 199; D7/671; 43/4-6;  
224/232; 30/151, 125, 164.5; 403/383;  
81/439; D8/14, 98  
CPC ..... F25C 5/043  
See application file for complete search history.

- D241,803 S \* 10/1976 Amiot ..... D8/14
- D354,543 S \* 1/1995 Alongi ..... D22/149
- D703,288 S \* 4/2014 Swind ..... D22/149

\* cited by examiner

*Primary Examiner* — Catherine R Oliver-Garcia  
(74) *Attorney, Agent, or Firm* — Rogers Towers, P.A.;  
Joseph P. Kincart

- (56) **References Cited**  
U.S. PATENT DOCUMENTS  
2,651,840 A \* 9/1953 Taylor ..... F25C 5/043  
30/151

(57) **CLAIM**  
The ornamental design for a fish vent, as shown and described.

**DESCRIPTION**  
FIG. 1 is a perspective view of a fish vent showing my new design;  
FIG. 2 is a top plan view thereof;  
FIG. 3 is a right side elevation view thereof;  
FIG. 4 is a left side elevation view thereof;  
FIG. 5 is a front elevation view thereof; and,  
FIG. 6 is a rear elevation view thereof.

**1 Claim, 6 Drawing Sheets**

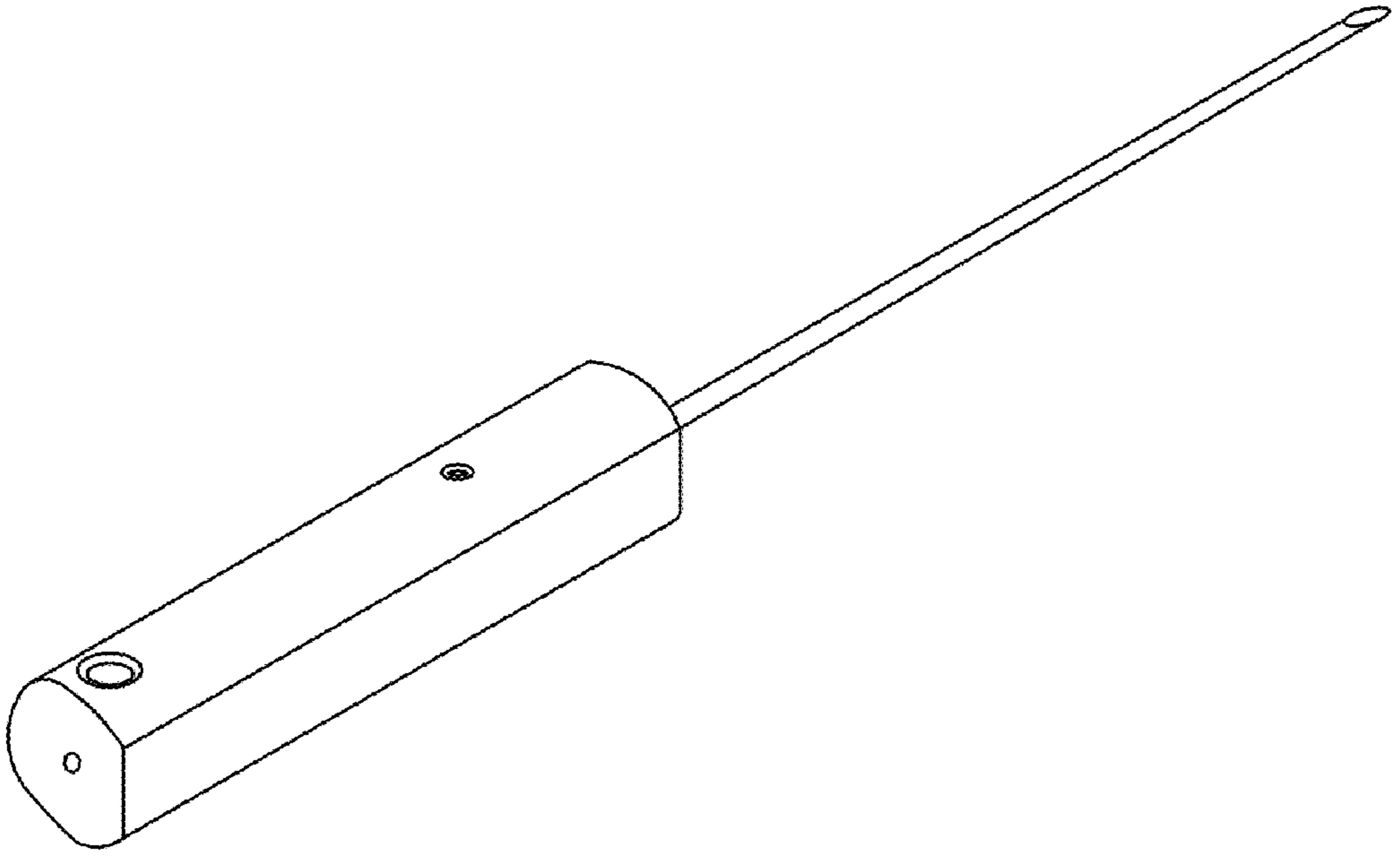


FIG. 1

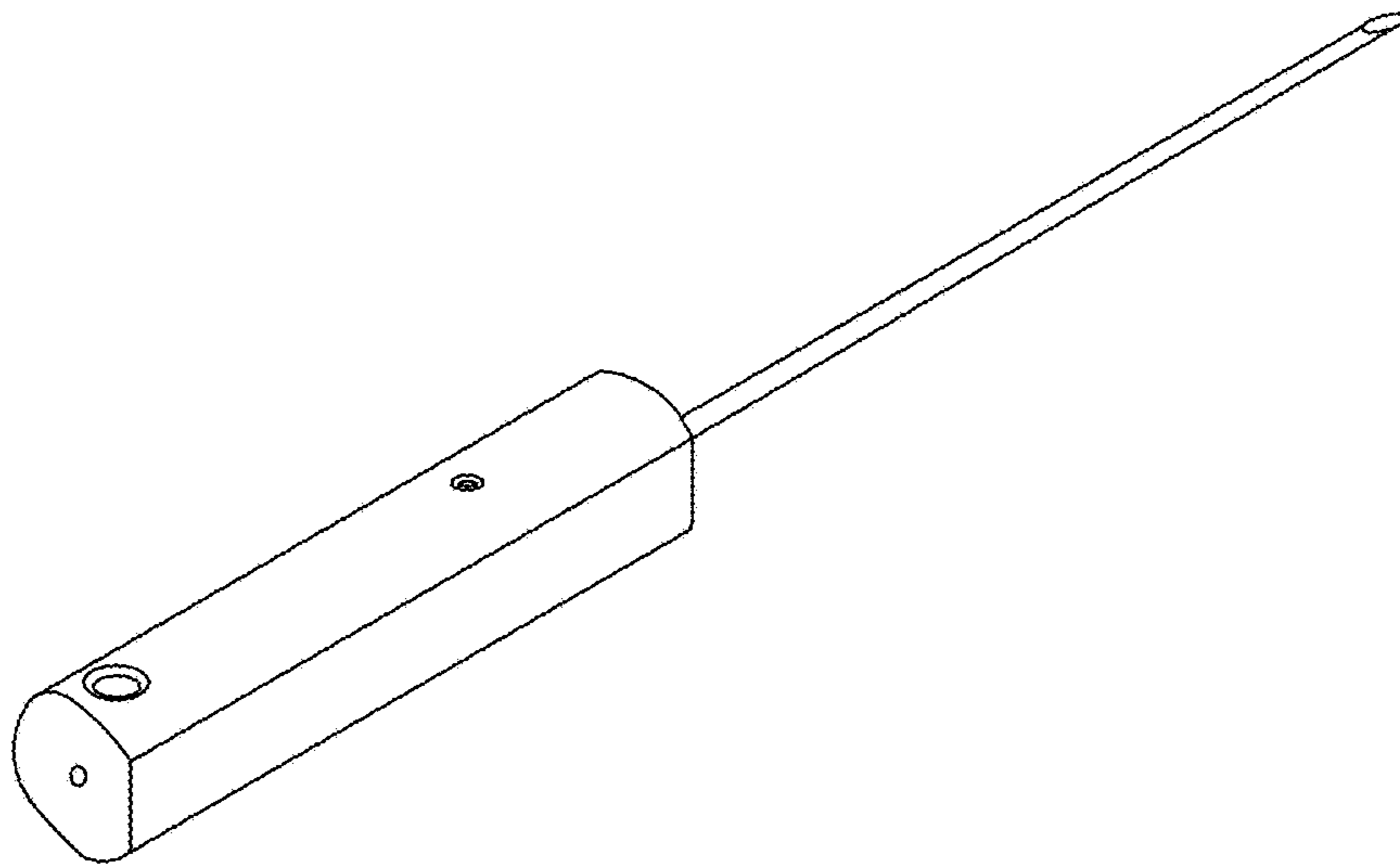


FIG. 2

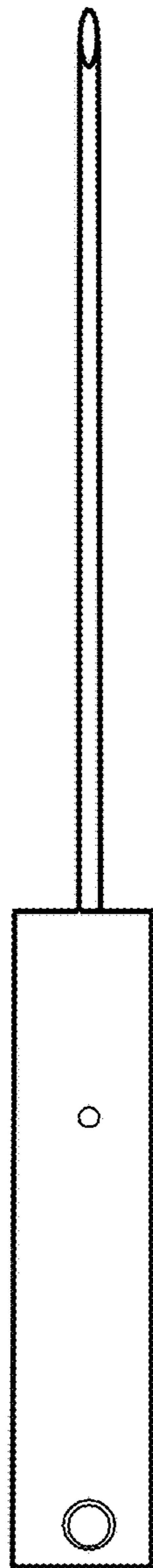


FIG. 3

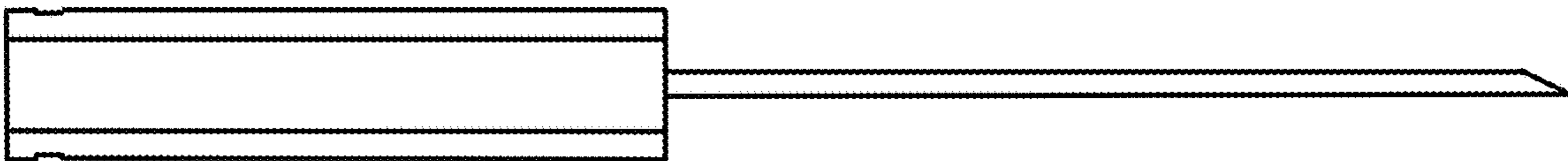


FIG. 4

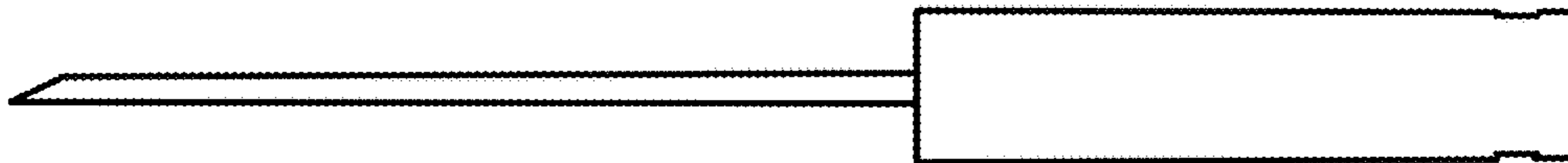


FIG. 5

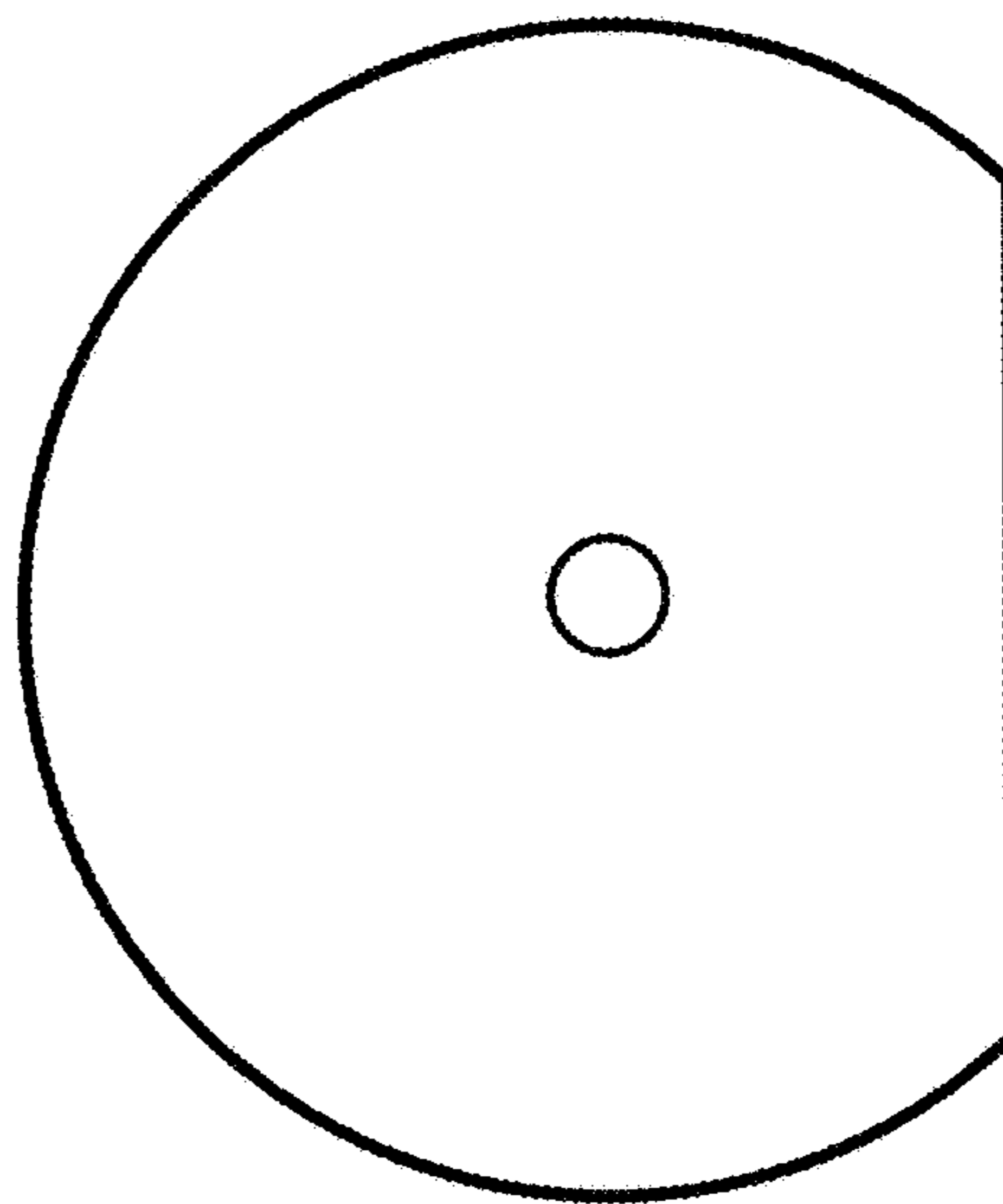


FIG. 6

