



US00D851723S

(12) **United States Design Patent** (10) **Patent No.:** **US D851,723 S**  
**Holland et al.** (45) **Date of Patent:** **\*\* Jun. 18, 2019**

- (54) **BAIT STATION** 6,219,960 B1 4/2001 Contadini et al.
- (71) Applicant: **Neogen Corporation**, Lansing, MI (US) 6,370,813 B1 4/2002 Nelson et al.
- (72) Inventors: **James B. Holland**, Clinton, NC (US); 6,594,948 B1 7/2003 Novack
- Michael Benton**, Hampstead, NC (US); 6,813,858 B1 11/2004 Wright
- Mitchell Rivenbark**, Clinton, NC (US) D515,175 S 2/2006 Mayo et al.
- (73) Assignee: **Neogen Corporation**, Lansing, MI (US) 7,051,473 B2 5/2006 Hoppe
- D539,867 S 4/2007 Mediate
- 8,061,238 B2 11/2011 Cink et al.
- D682,981 S 5/2013 Bernard
- D686,689 S 7/2013 Bernard
- 9,125,393 B2 9/2015 Firth
- 2014/0291474 A1 10/2014 Wilson et al.

- (\*\*) Term: **15 Years**
- (21) Appl. No.: **29/669,454**
- (22) Filed: **Nov. 8, 2018**

**Related U.S. Application Data**

- (62) Division of application No. 29/614,300, filed on Aug. 17, 2017, now Pat. No. Des. 839,380.
- (51) **LOC (11) Cl.** ..... **22-06**
- (52) **U.S. Cl.**  
USPC ..... **D22/122**
- (58) **Field of Classification Search**  
USPC ..... D22/119–124; 43/107, 112–114, 121, 43/131, 132.1  
CPC .. A01M 1/026; A01M 1/2011; A01M 1/2016; A01M 2200/011; A01M 1/2005; A01M 25/004  
See application file for complete search history.

(56) **References Cited**

**U.S. PATENT DOCUMENTS**

- 5,235,779 A 8/1993 Saleman
- 5,246,675 A 9/1993 Castronovo
- 5,329,724 A 7/1994 Saleman

**FOREIGN PATENT DOCUMENTS**

- AU 2007100803 A4 9/2007
- AU 2016100772 A4 7/2016
- DE 102012013138 A1 1/2014
- FR 2901455 B1 1/2013
- GB 2096446 A 10/1982
- WO 2013000039 A1 3/2013

*Primary Examiner* — Catherine R Oliver-Garcia  
(74) *Attorney, Agent, or Firm* — Honigman LLP; Douglas H. Siegel

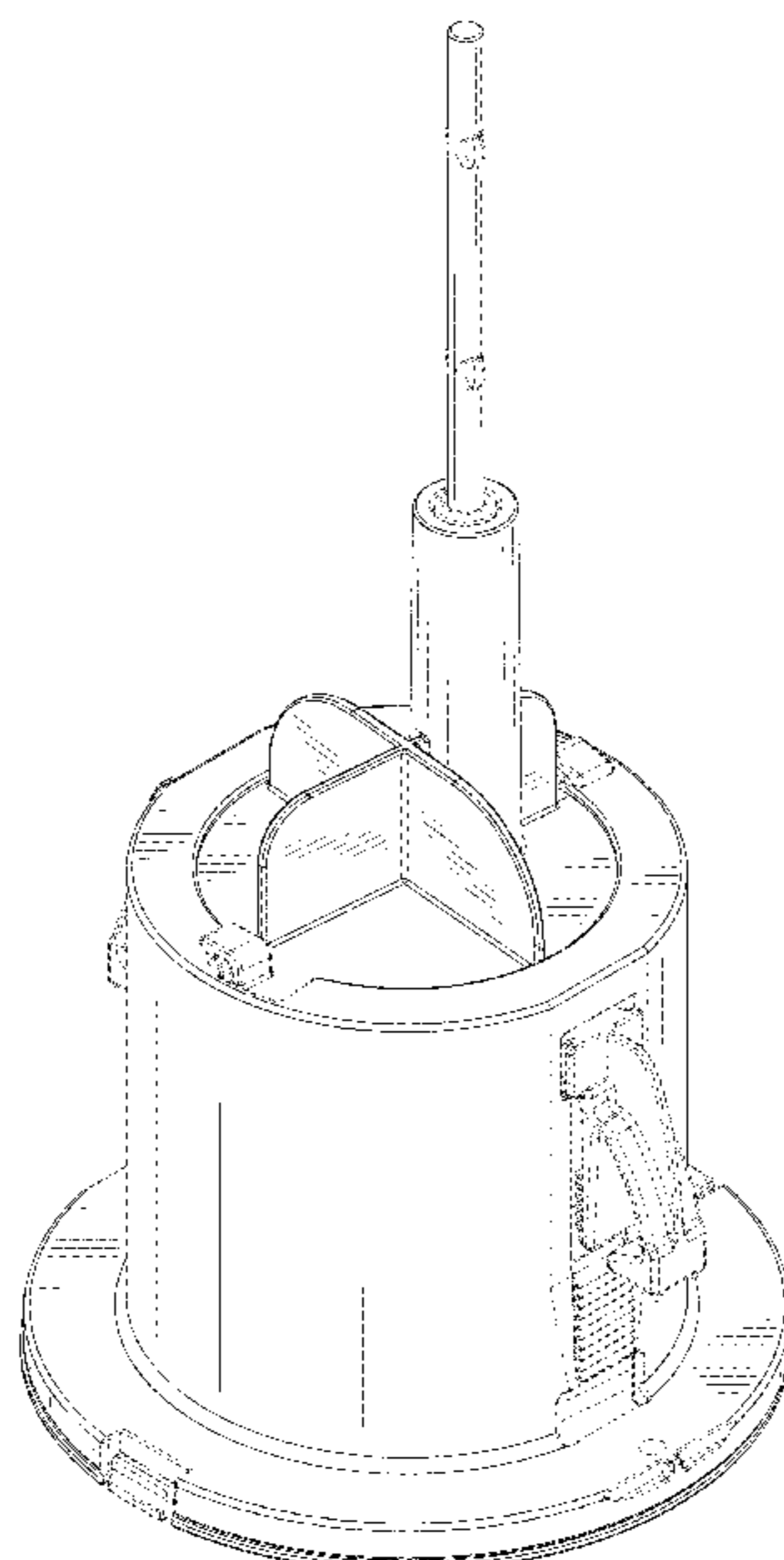
(57) **CLAIM**

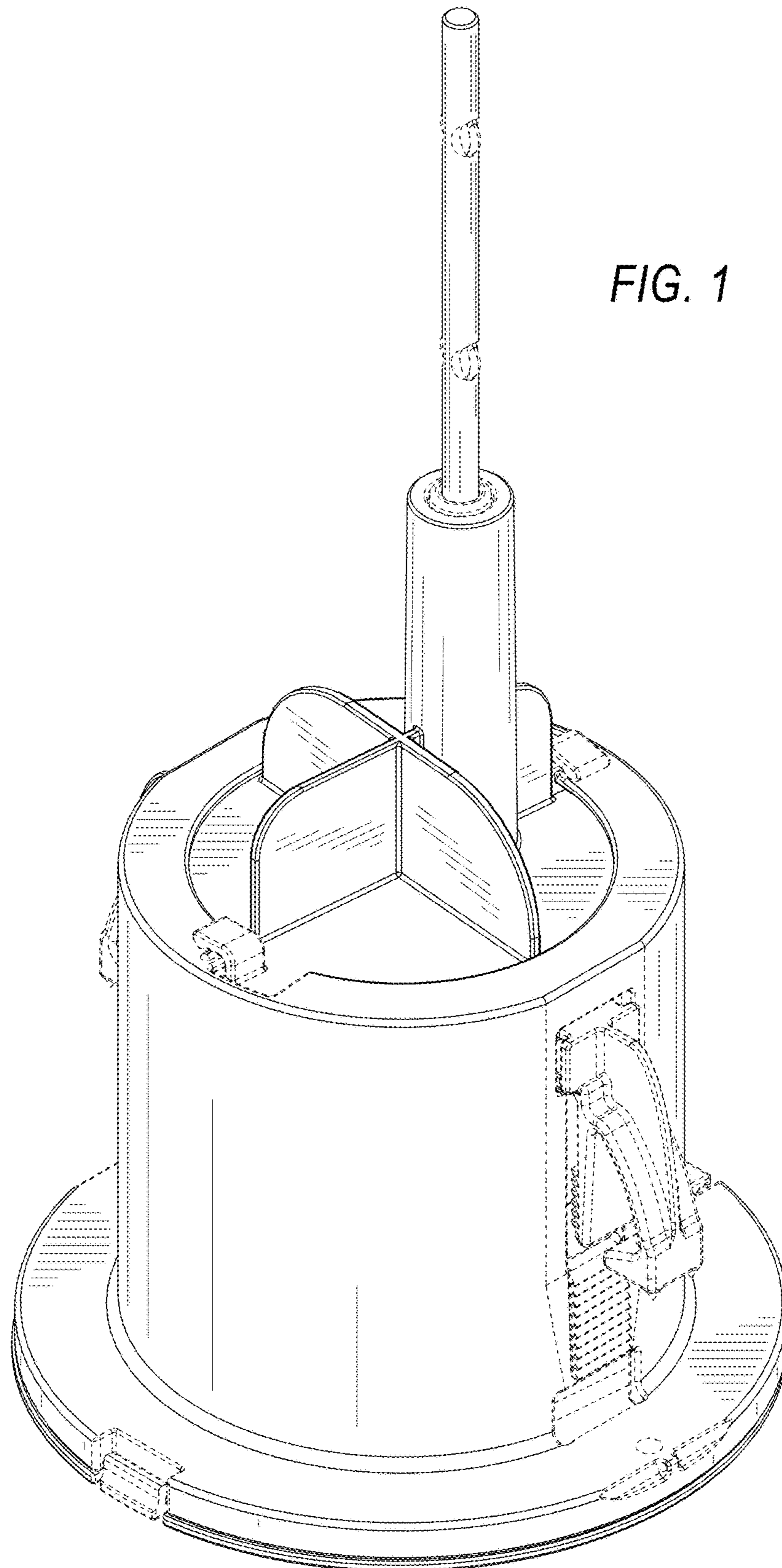
The ornamental design for a bait station, as shown and described herein.

**DESCRIPTION**

FIG. 1 is a right front top perspective view of a bait station; FIG. 2 is a front elevational view thereof; FIG. 3 is a rear elevational view thereof; FIG. 4 is a right-side elevational view thereof; FIG. 5 is a left-side elevational view thereof; FIG. 6 is a top plan view thereof; and, FIG. 7 is a bottom plan view thereof. The broken lines form no part of the claimed design.

**1 Claim, 7 Drawing Sheets**





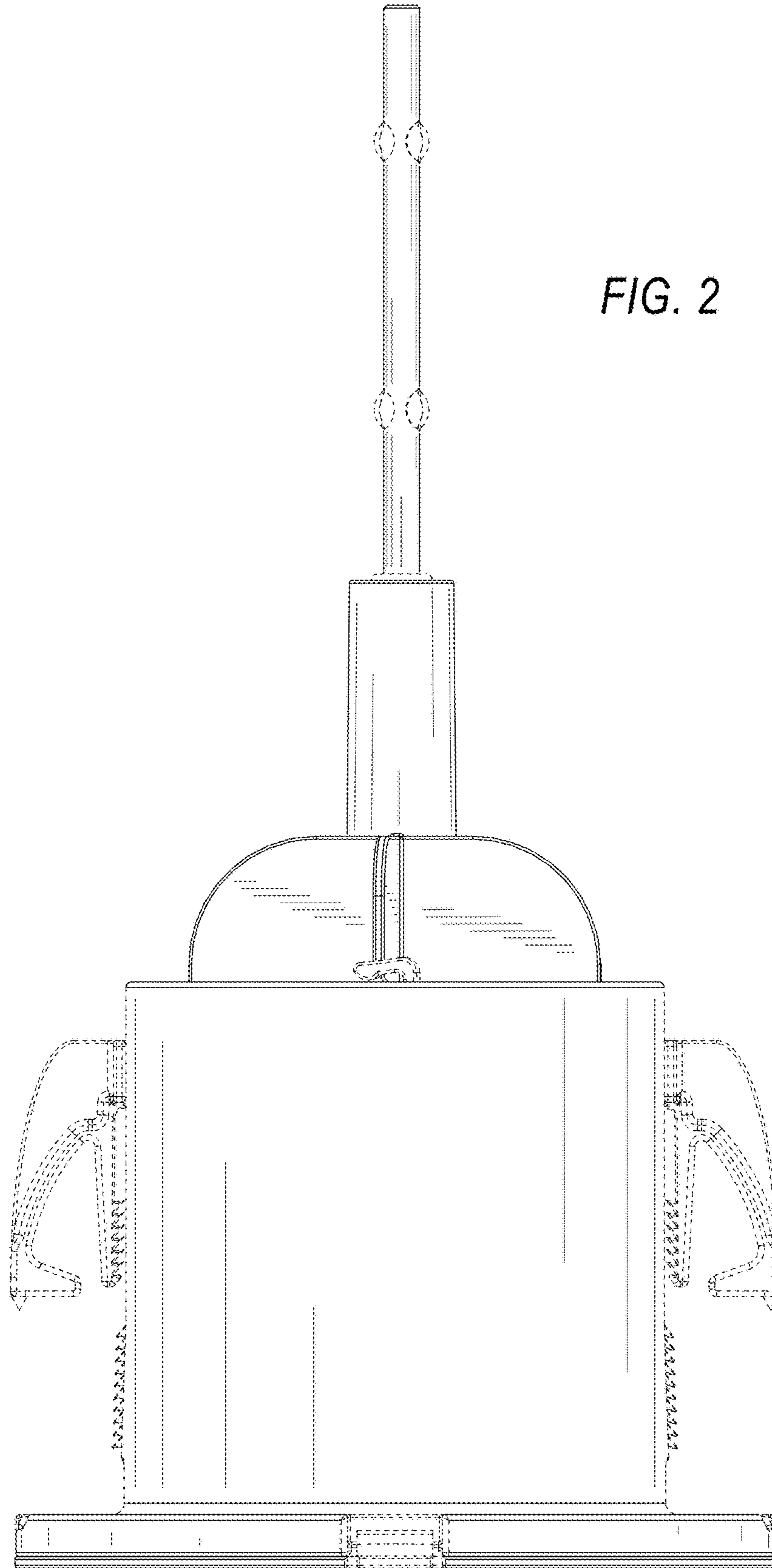


FIG. 2

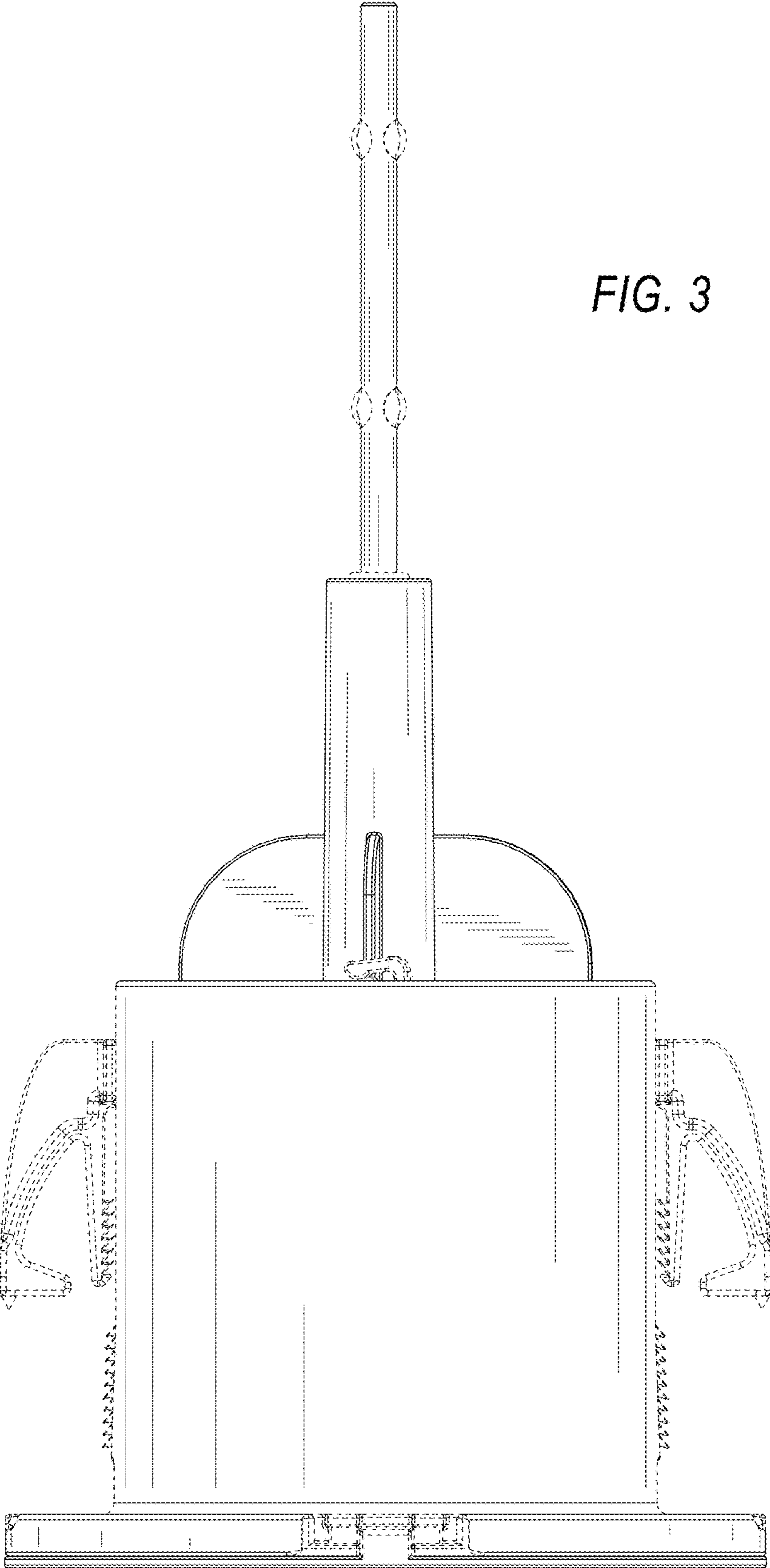
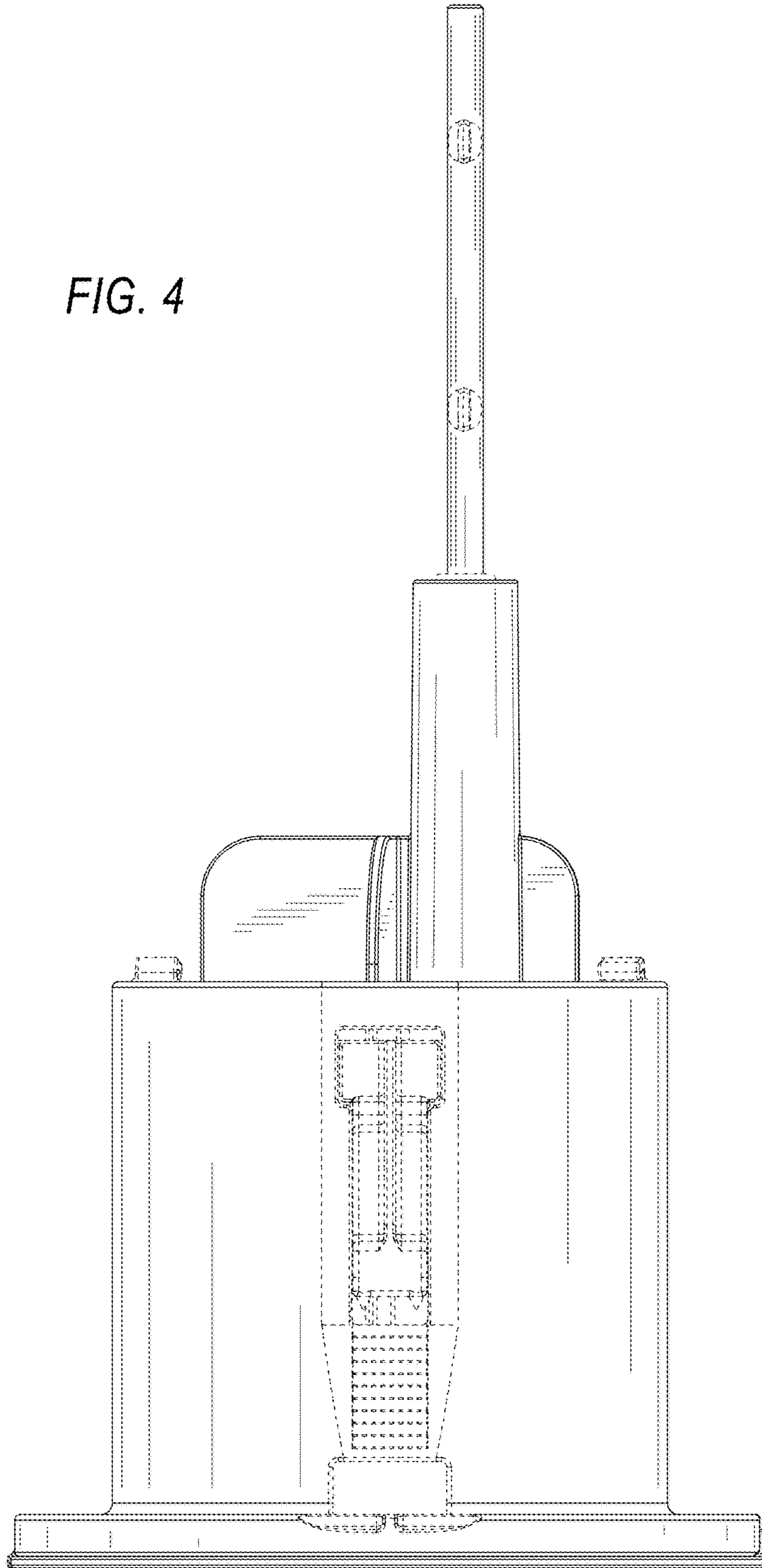


FIG. 3

FIG. 4



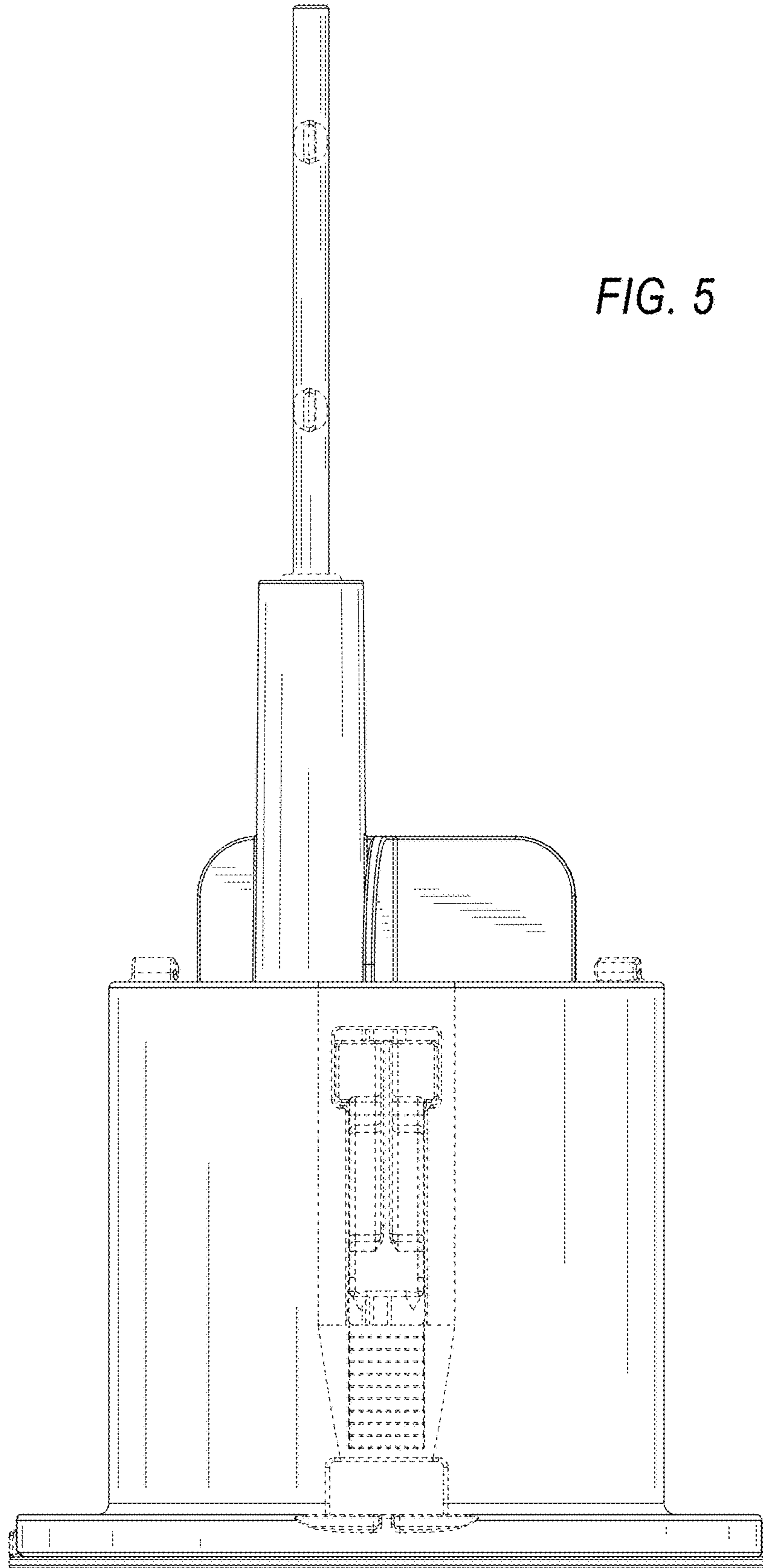


FIG. 5

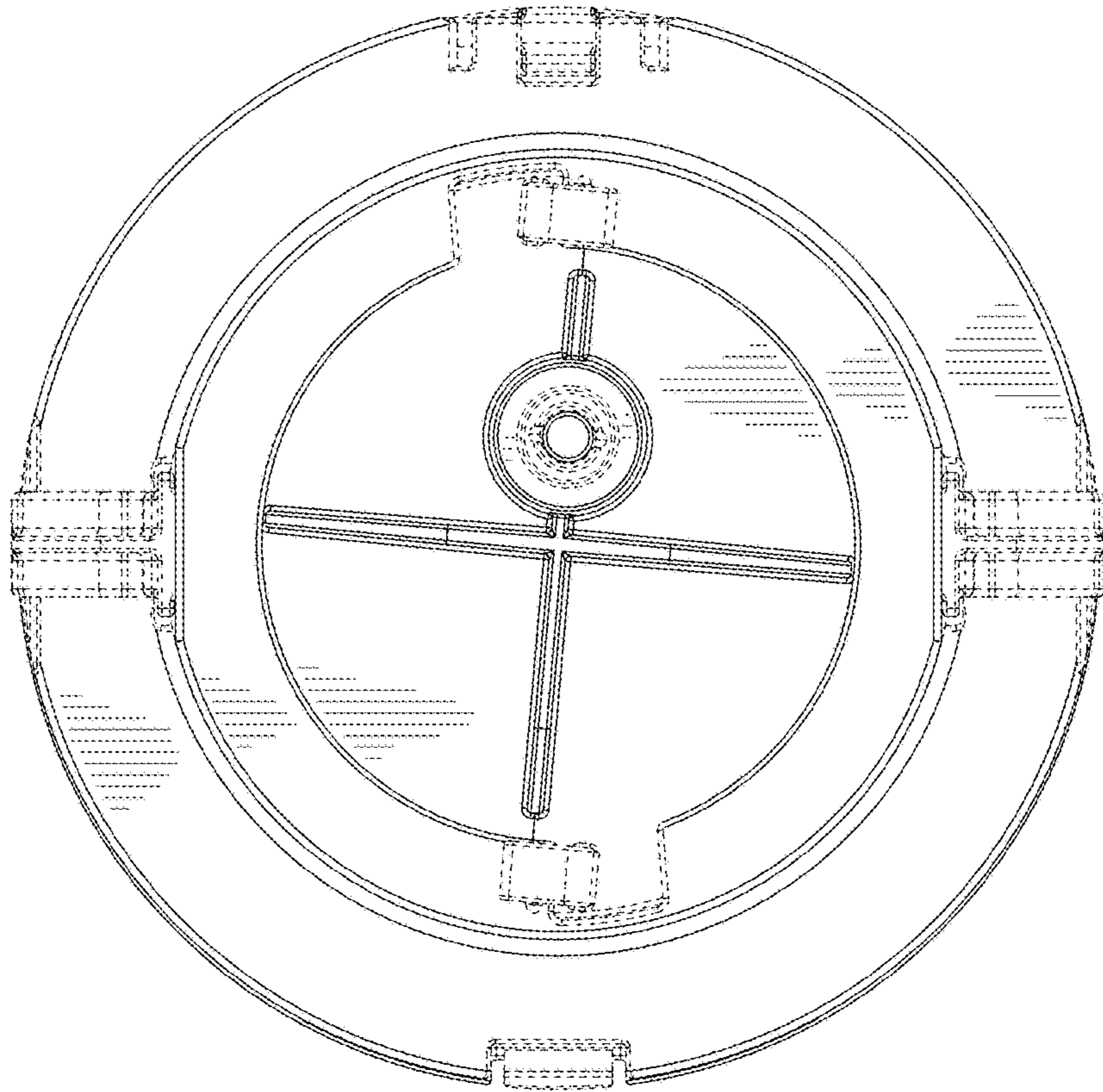


FIG. 6

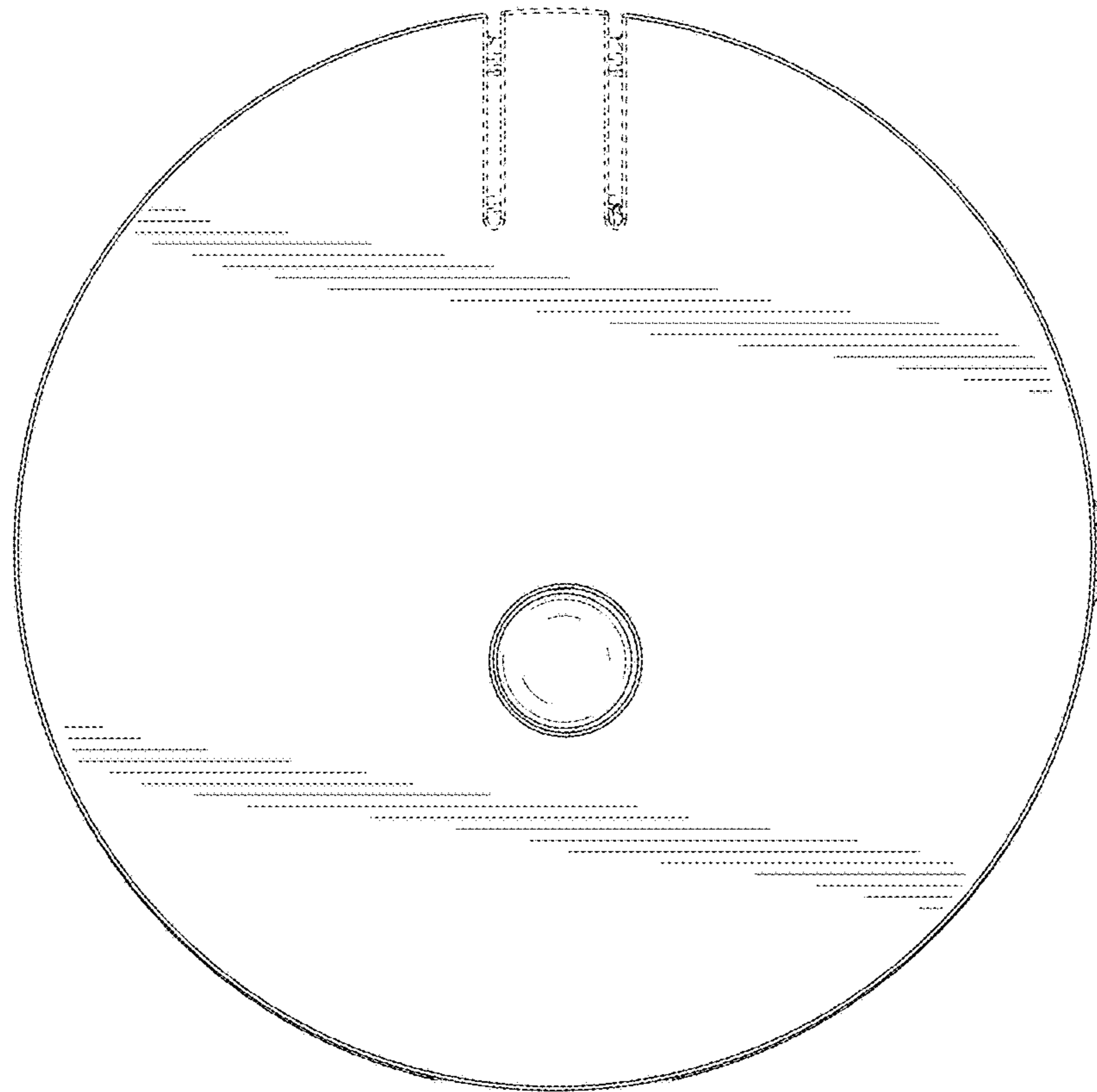


FIG. 7