



US00D851720S

(12) **United States Design Patent**
Cameron

(10) **Patent No.:** **US D851,720 S**

(45) **Date of Patent:** **** Jun. 18, 2019**

(54) **PUTTER HEAD**

(71) Applicant: **Acushnet Company**, Fairhaven, MA
(US)

(72) Inventor: **Don T. Cameron**, Carlsbad, CA (US)

(73) Assignee: **Acushnet Company**, Fairhaven, MA
(US)

(**) Term: **15 Years**

(21) Appl. No.: **29/605,957**

(22) Filed: **May 31, 2017**

(51) **LOC (11) Cl.** **21-02**

(52) **U.S. Cl.**
USPC **D21/759; D21/735**

(58) **Field of Classification Search**
USPC D21/735-746, 759
CPC A63B 53/00; A63B 53/04; A63B 53/007;
A63B 53/065; A63B 53/0487; A63B
60/00; A63B 60/46

See application file for complete search history.

(56) **References Cited**

U.S. PATENT DOCUMENTS

D205,953 S	*	10/1966	Mader	D21/735
D247,633 S	*	3/1978	Shaw	D21/750
D251,141 S	*	2/1979	Carter	D21/735
D385,609 S	*	10/1997	Cameron	D21/742
D411,270 S	*	6/1999	Low	D21/735

D458,331 S	*	6/2002	Wahl	D21/759
D478,142 S	*	8/2003	Toulon	D21/759
D521,580 S	*	5/2006	Burrows	D21/736
D576,698 S	*	9/2008	Cameron	D21/759
D600,763 S	*	9/2009	Cameron	D21/759
D600,764 S	*	9/2009	Carlyle	D21/759
D661,753 S	*	6/2012	Cameron	D21/759
D684,643 S	*	6/2013	Kim	D21/744
D804,597 S	*	12/2017	Cameron	D21/759
D834,120 S	*	11/2018	Cameron	D21/759
D834,121 S	*	11/2018	Cameron, Jr.	D21/759

* cited by examiner

Primary Examiner — Mitchell I. Siegel

(74) *Attorney, Agent, or Firm* — Randy K. Chang

(57) **CLAIM**

The ornamental design for putter head, as shown and described.

DESCRIPTION

FIG. 1 is a perspective back view of my new design for a putter head;

FIG. 2 is a back view thereof;

FIG. 3 is a top view thereof;

FIG. 4 is a front view thereof;

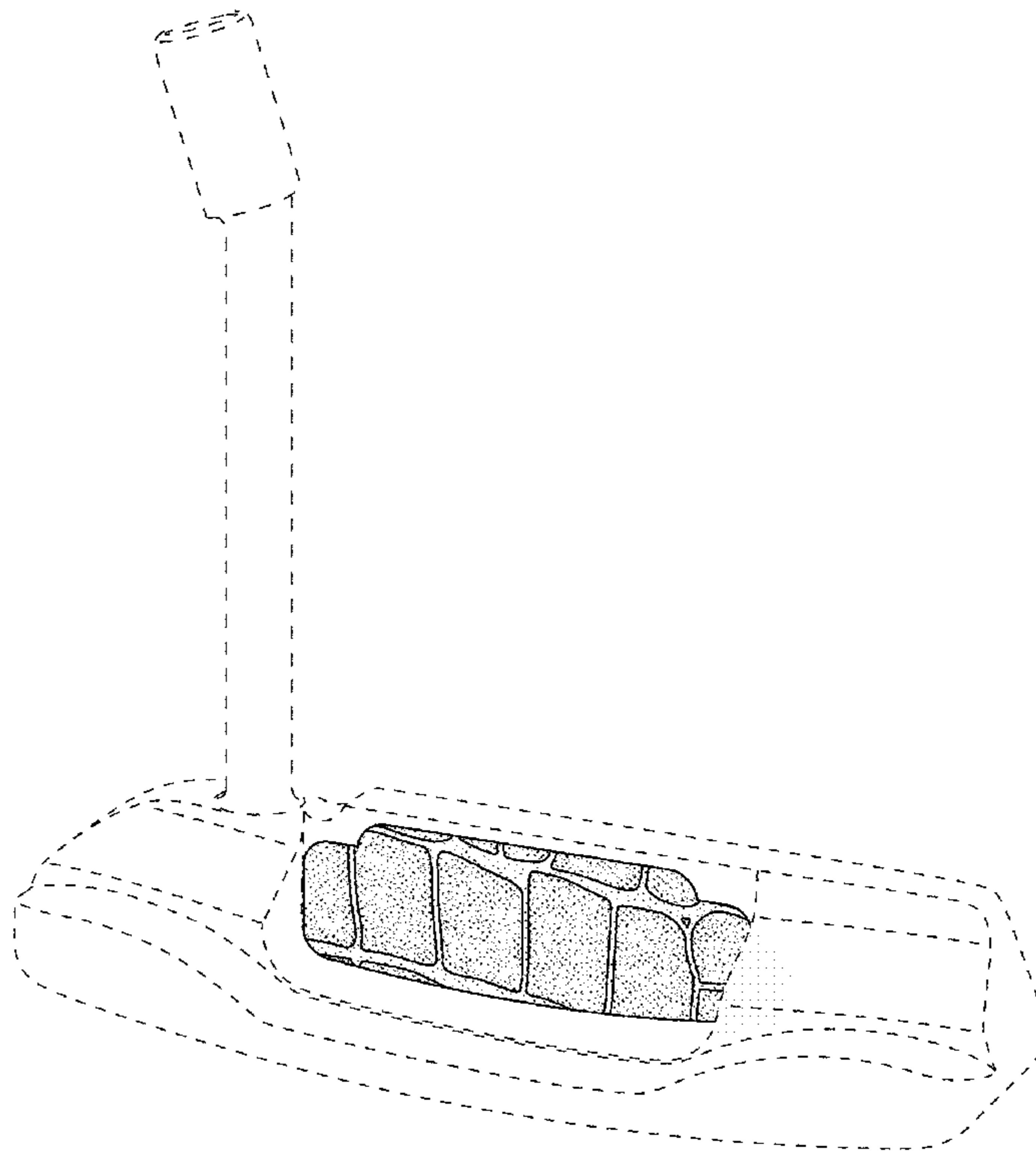
FIG. 5 is a bottom sole view thereof;

FIG. 6 is a toe view thereof; and,

FIG. 7 is a heel view thereof.

The portion of the putter head shown in phantom are for illustrative purposes only and do not form any portion of the claimed design.

1 Claim, 4 Drawing Sheets



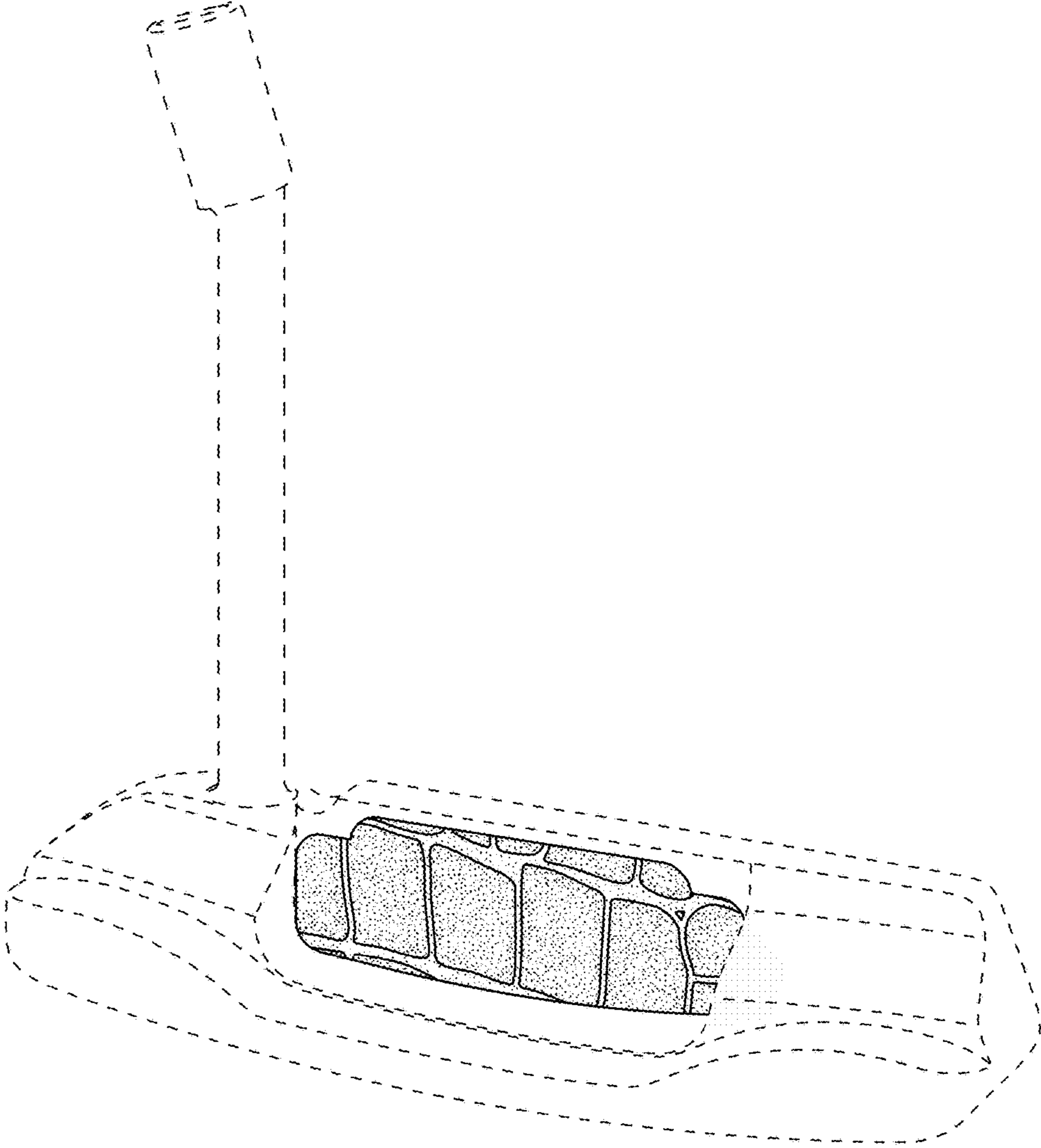


FIG. 1

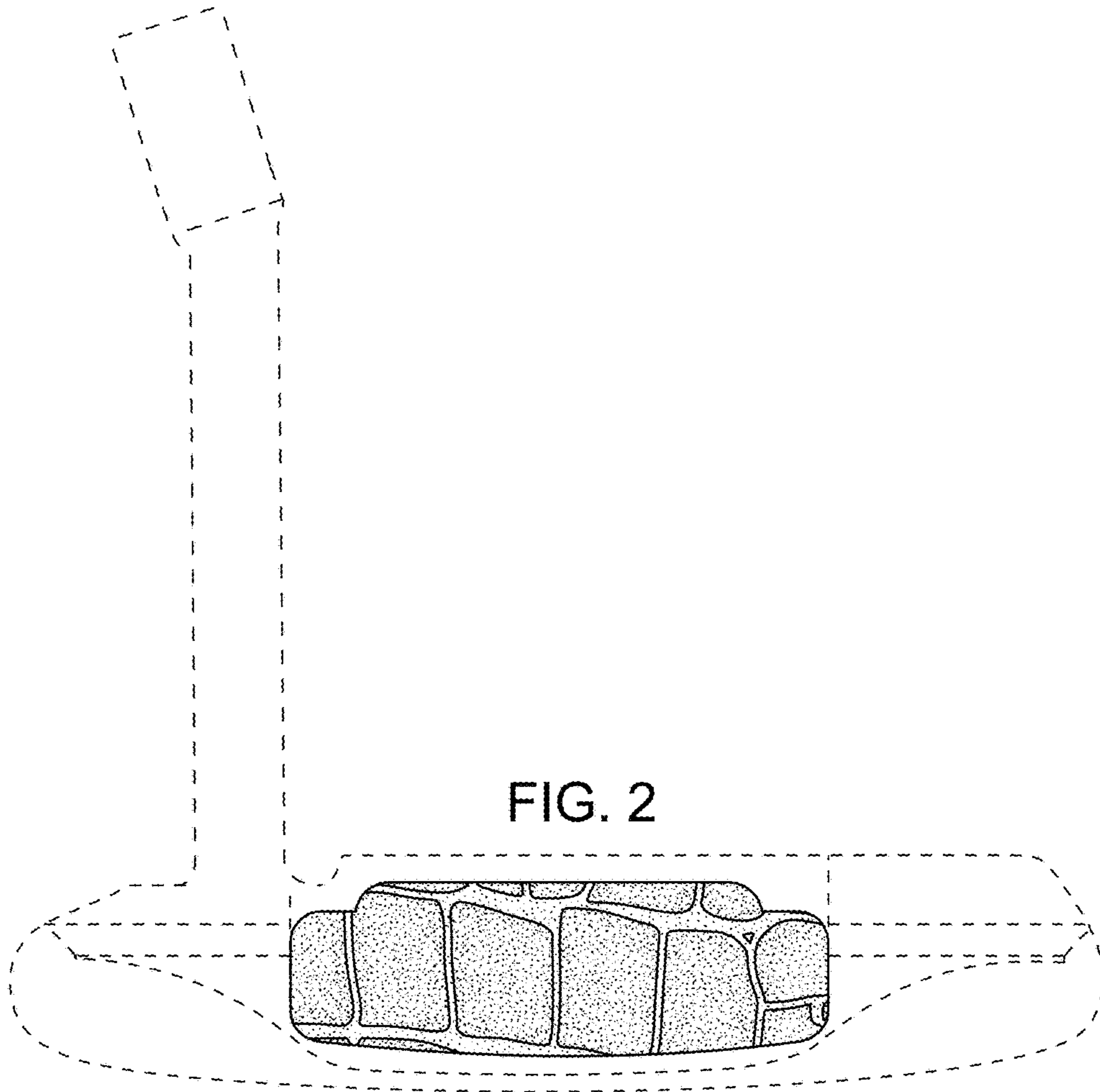


FIG. 2

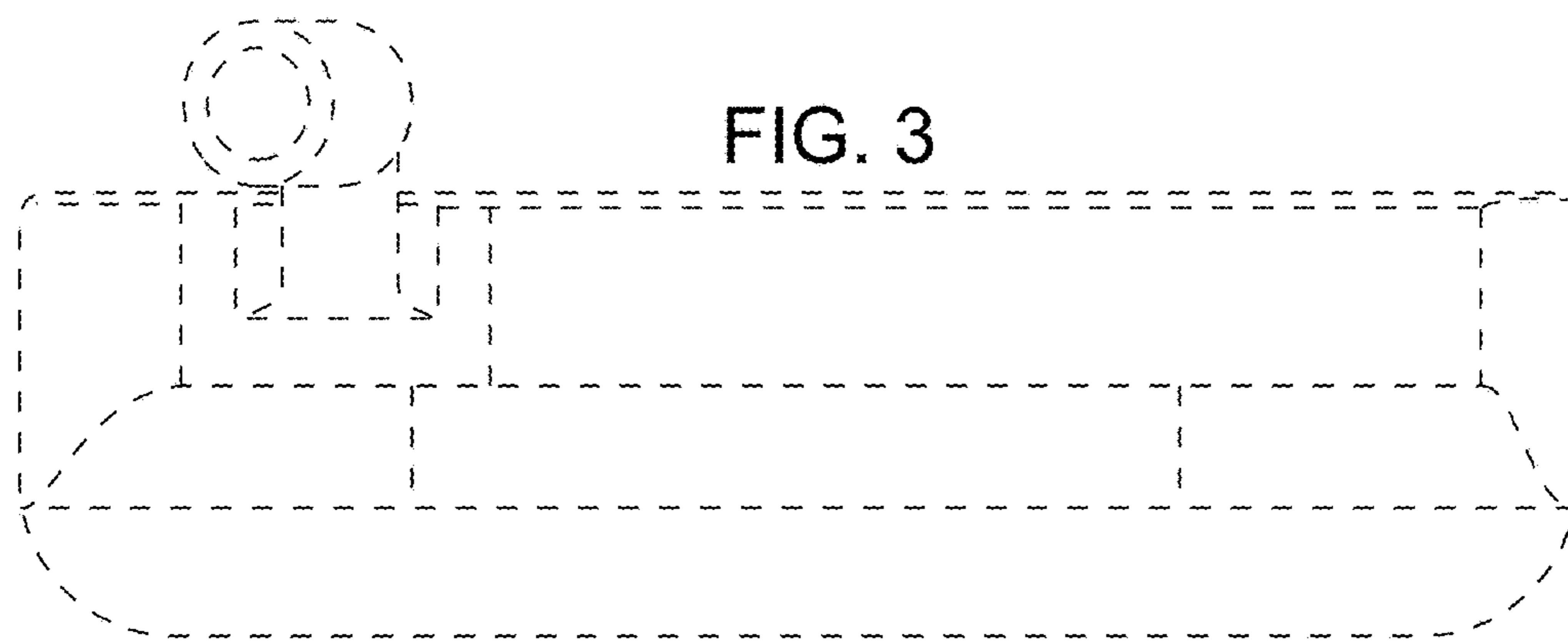
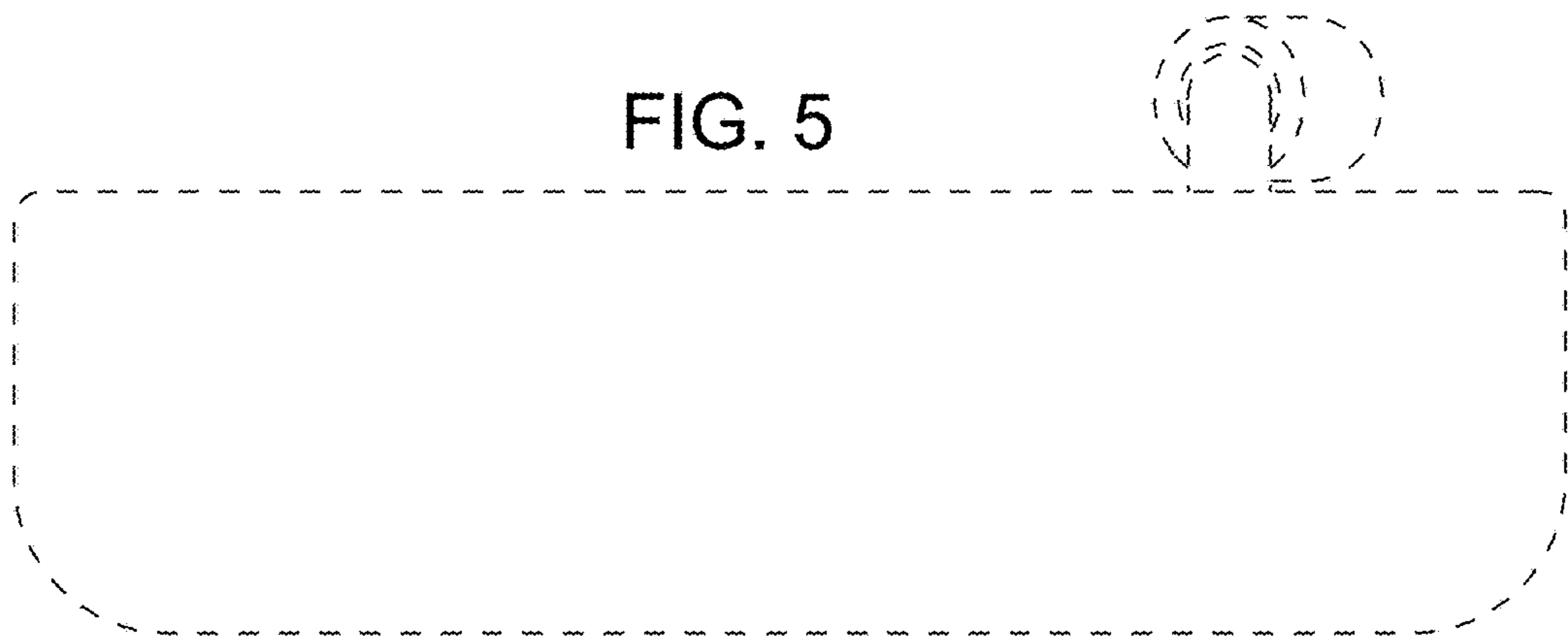
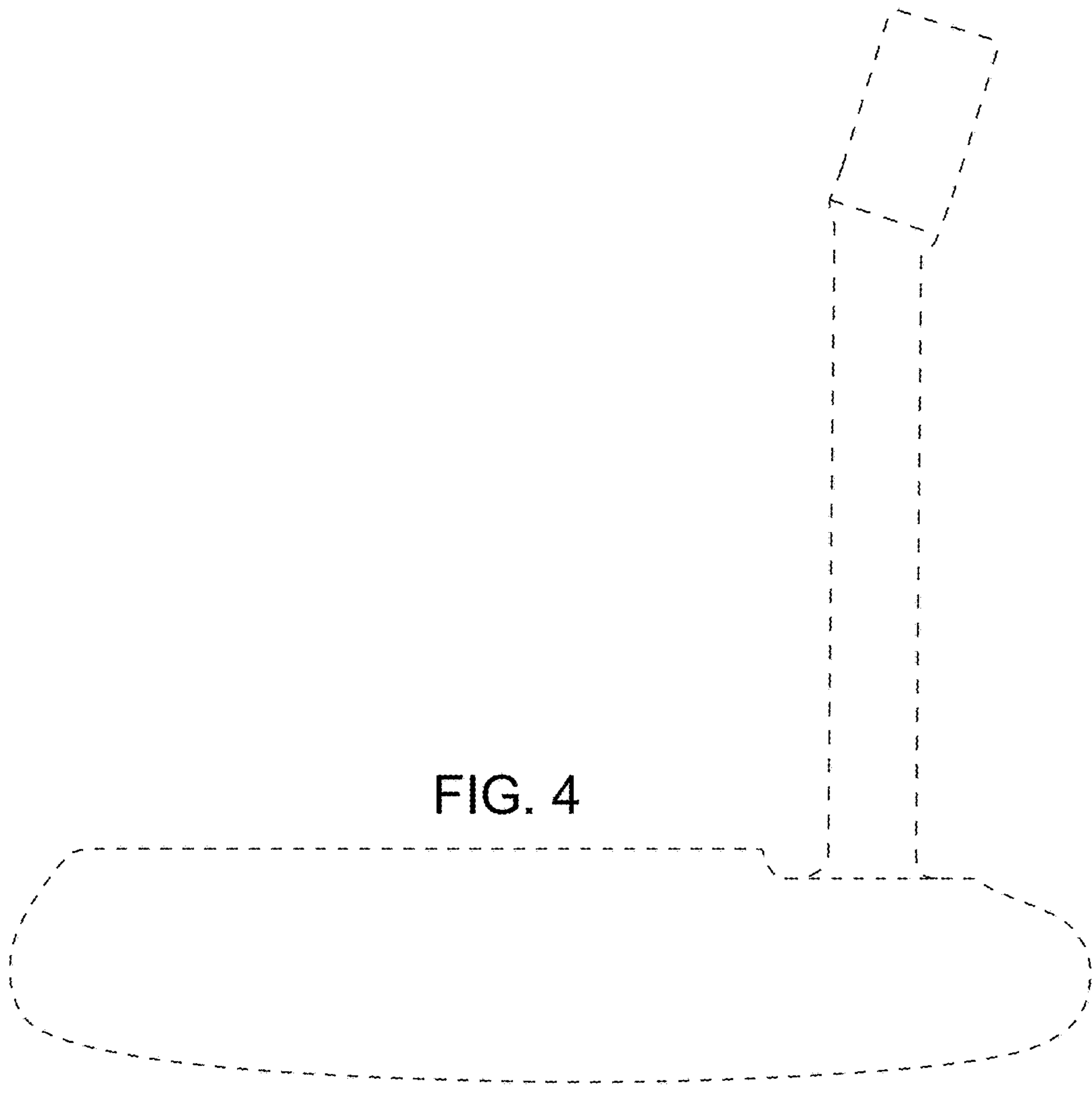


FIG. 3



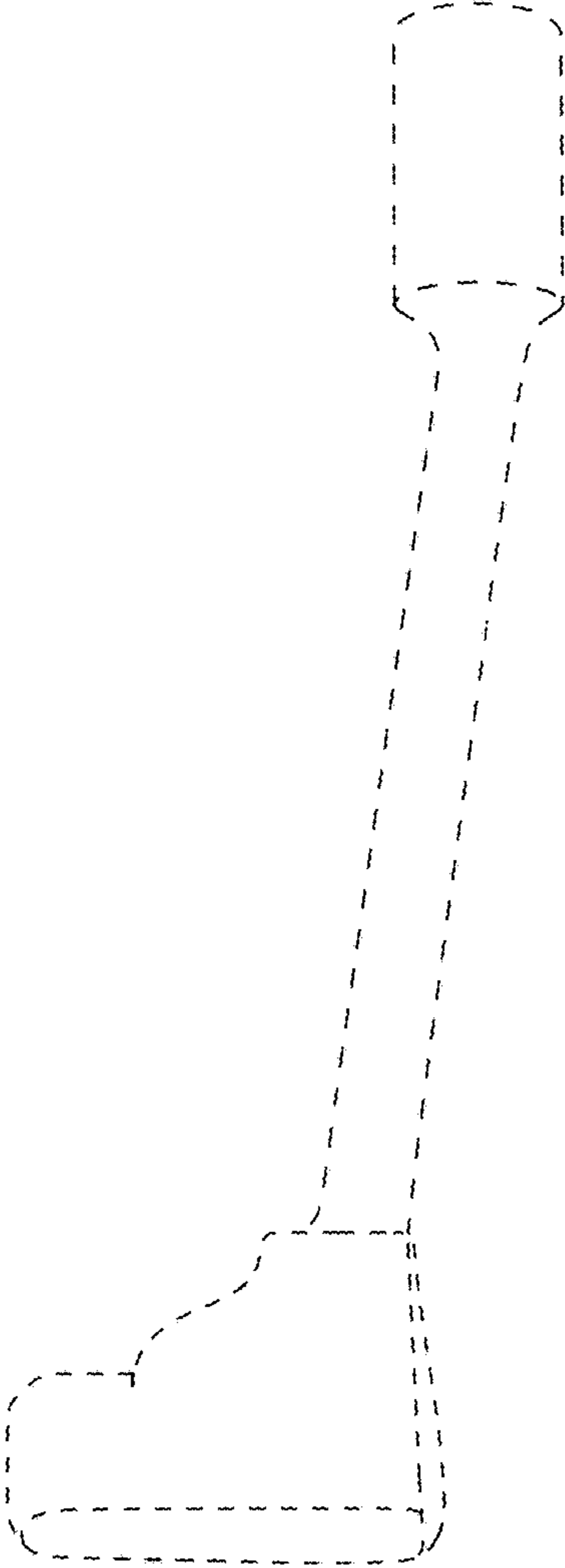


FIG. 6

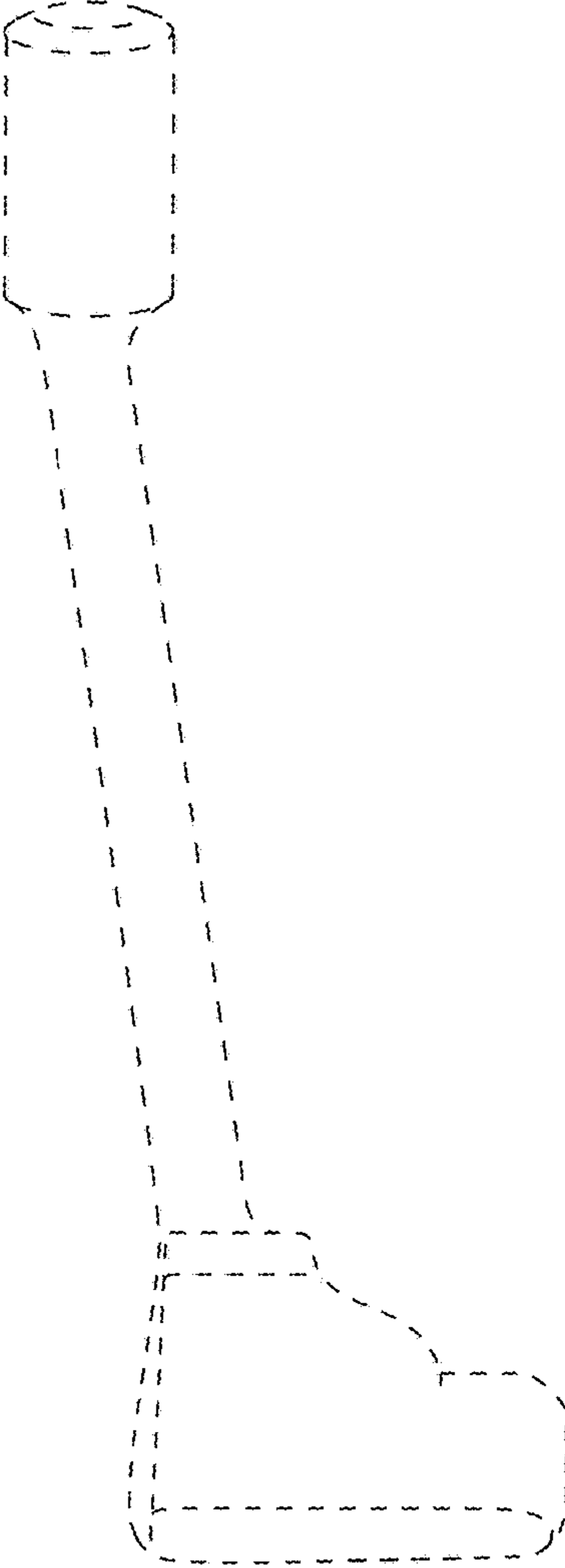


FIG. 7