



US00D851716S

(12) **United States Design Patent** (10) **Patent No.:** **US D851,716 S**
Pretorius (45) **Date of Patent:** **** Jun. 18, 2019**

(54) **GOLF TEE** 6,165,082 A * 12/2000 Cox A63B 57/10
473/390
(71) Applicant: **Marthinus Johannes Pretorius,** D443,007 S * 5/2001 Schneider D21/717
Centurion (ZA) D485,591 S * 1/2004 Bonfanti D21/718
D526,371 S * 8/2006 Bayfield D21/718
D539,368 S * 3/2007 Choo D21/718
(72) Inventor: **Marthinus Johannes Pretorius,** 9,833,672 B1 * 12/2017 Montejo A63B 57/13
Centurion (ZA) 2005/0064959 A1 * 3/2005 Ortiz G09F 23/00
473/387
(**) Term: **15 Years** 2010/0160088 A1 * 6/2010 Tan A63B 57/10
473/390
2018/0207495 A1 * 7/2018 Durham A63B 57/10

(21) Appl. No.: **29/644,633**

(22) Filed: **Apr. 19, 2018**

(51) **LOC (11) Cl.** **21-01**

(52) **U.S. Cl.**
USPC **D21/718**

(58) **Field of Classification Search**
USPC D21/715-719, 789-796; 473/387-403
CPC A63B 57/10; A63B 57/12; A63B 57/13;
A63B 57/15; A63B 57/16; A63B 57/18;
A63B 57/19
See application file for complete search history.

(56) **References Cited**

U.S. PATENT DOCUMENTS

1,783,733 A * 12/1930 Manassero A63B 57/12
473/396
2,155,803 A * 4/1939 Rider A63B 57/10
473/392
2,509,166 A * 5/1950 Phillips A63B 57/10
473/392
D176,875 S * 2/1956 Miller D21/718
3,424,457 A * 1/1969 Robertson A63B 57/10
473/257
3,675,929 A * 7/1972 Guarino, Sr. A63B 57/10
473/257
D230,168 S * 1/1974 Redmon 473/402
D268,438 S * 3/1983 Morford D21/718
D301,046 S * 5/1989 Morabeto D21/718
D306,627 S * 3/1990 Fox D21/718
D432,605 S * 10/2000 Dennis D21/718

FOREIGN PATENT DOCUMENTS

GB 2103493 A * 2/1983 A63B 57/10
KR 300899928.0000 * 3/2017
NL 9201652 A * 4/1994 A63B 57/10
WO WO-0001448 A1 * 1/2000 A63B 57/10
WO WO-0247772 A2 * 6/2002 A63B 57/10

* cited by examiner

Primary Examiner — Catherine A Tuttle
(74) *Attorney, Agent, or Firm* — Workman Nydegger

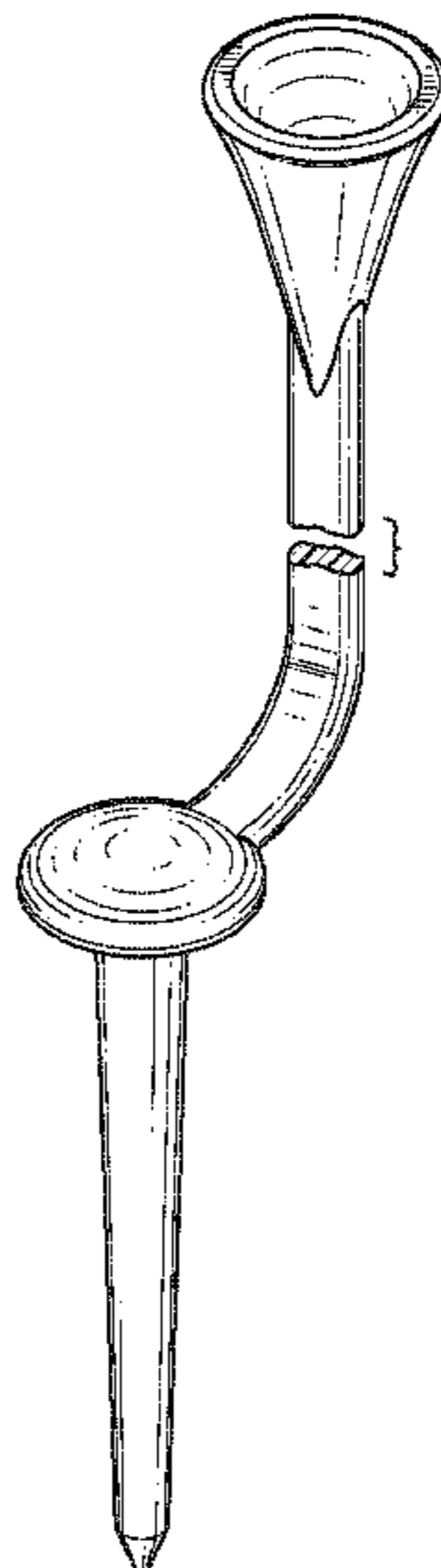
(57) **CLAIM**

The ornamental design for a golf tee, as shown and described.

DESCRIPTION

FIG. 1 is a front perspective view of a golf tee showing my new design.
FIG. 2 is a right side view thereof.
FIG. 3 is a left side view thereof.
FIG. 4 is a front view thereof.
FIG. 5 is a rear view thereof.
FIG. 6 is a top view thereof; and,
FIG. 7 is a bottom view thereof.
The area between the symbolic break lines forms no part of the claimed design.

1 Claim, 4 Drawing Sheets



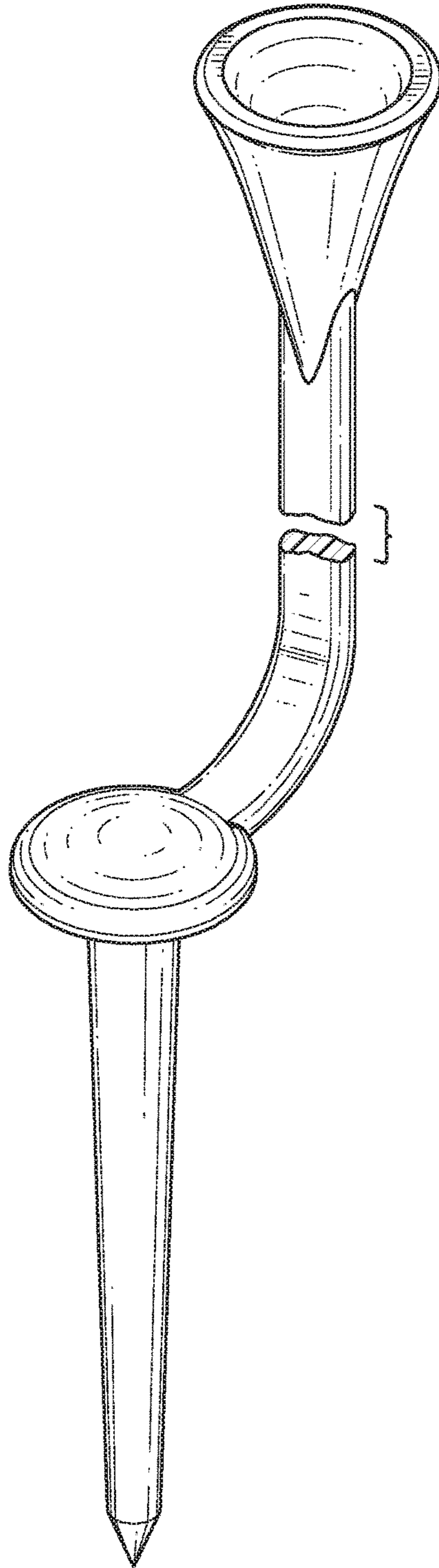


FIG. 1

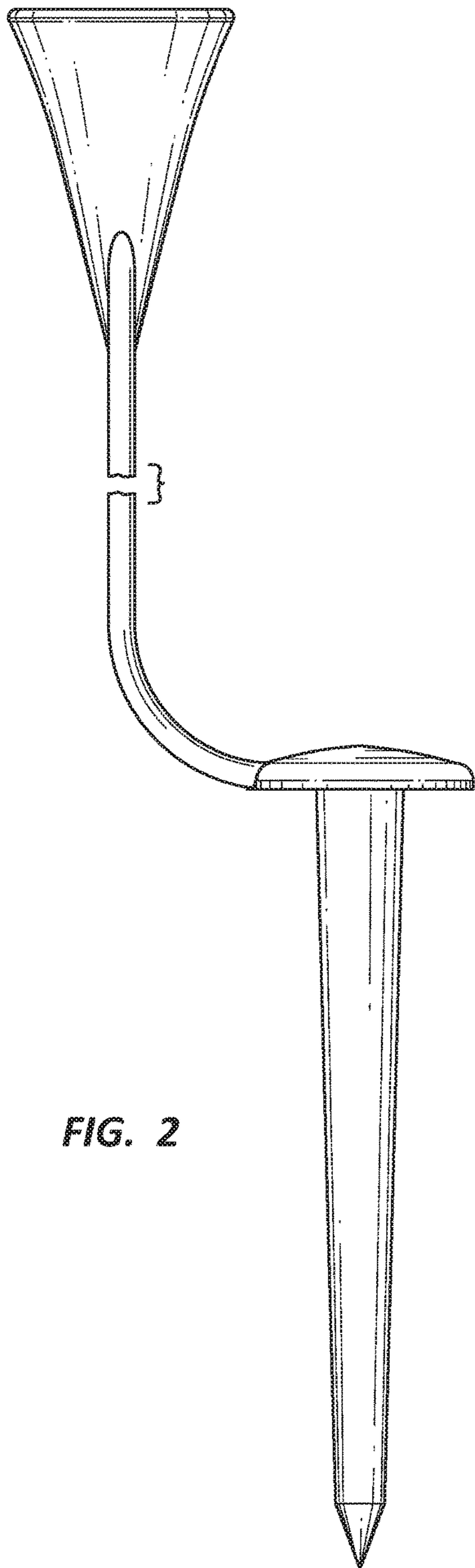


FIG. 2

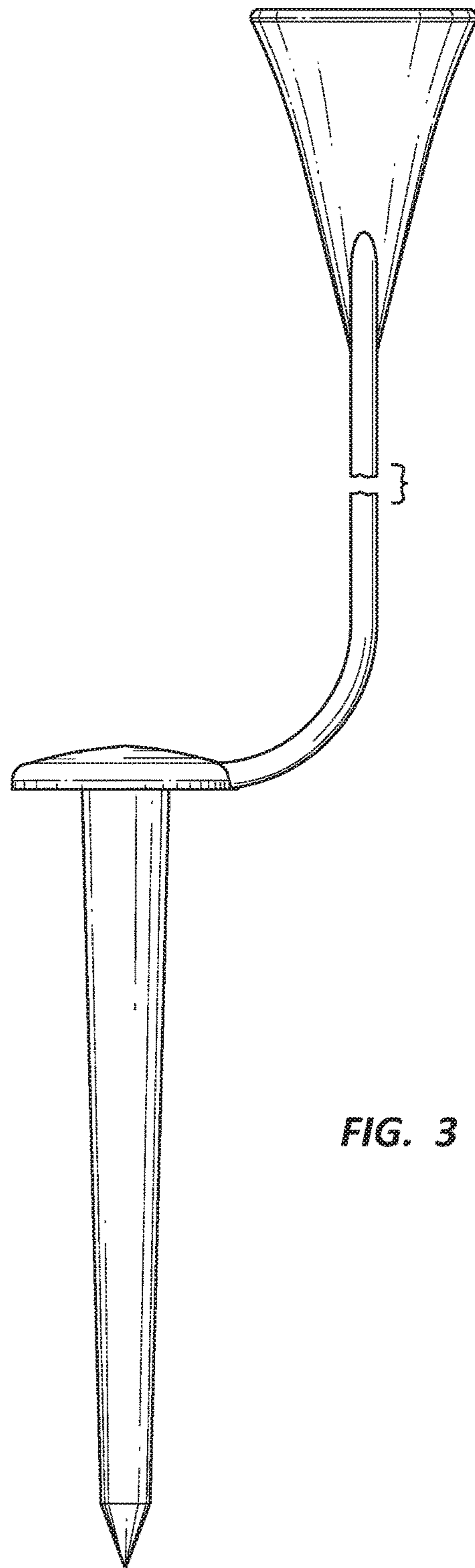


FIG. 3

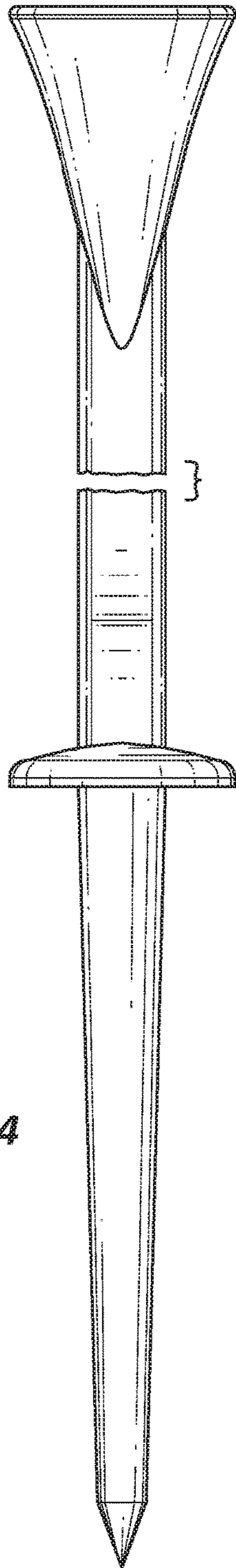


FIG. 4

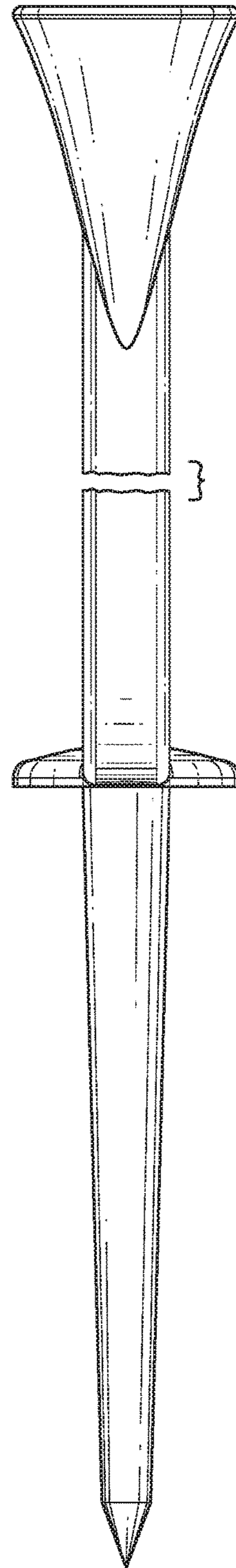


FIG. 5

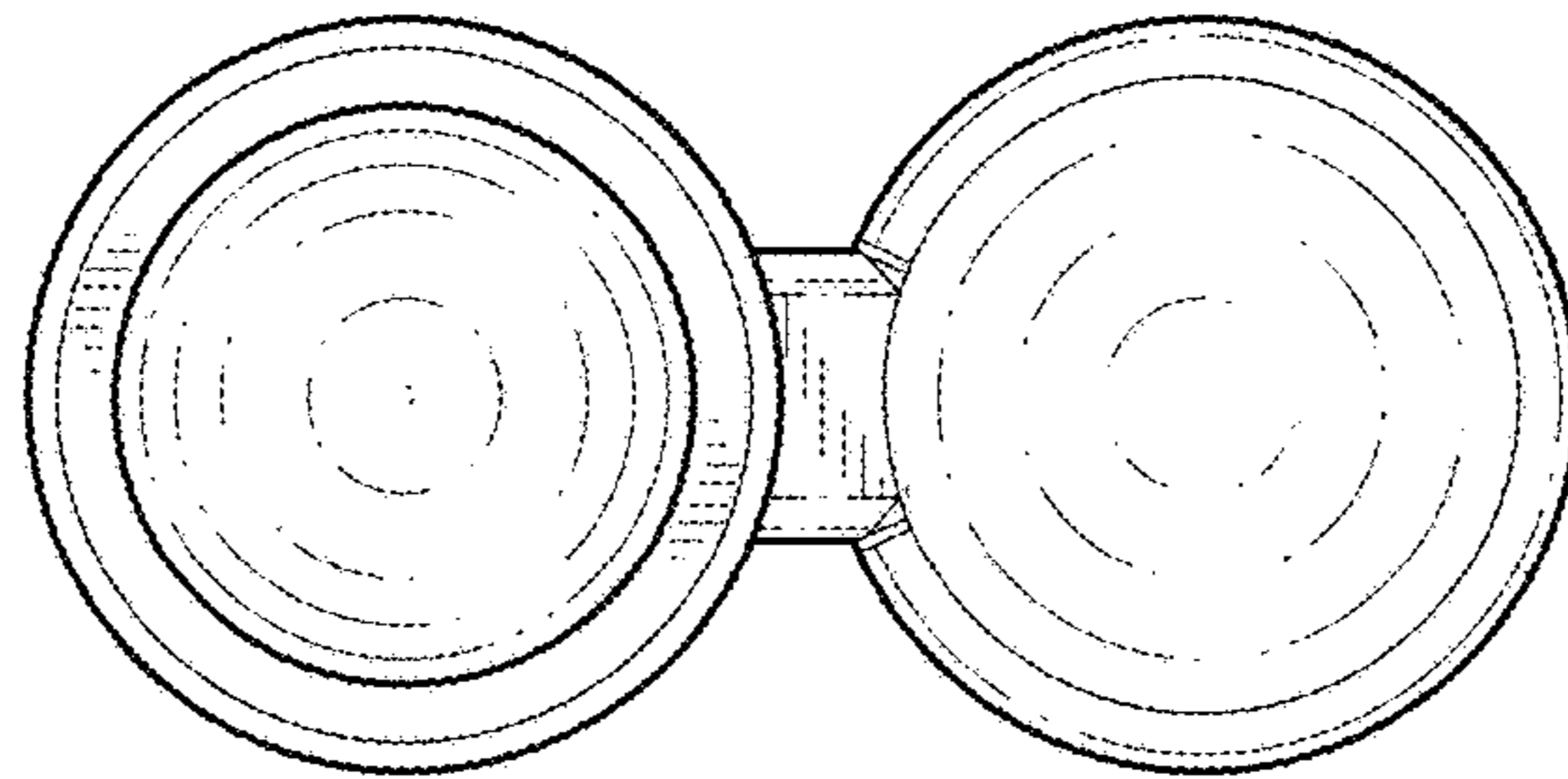


FIG. 6

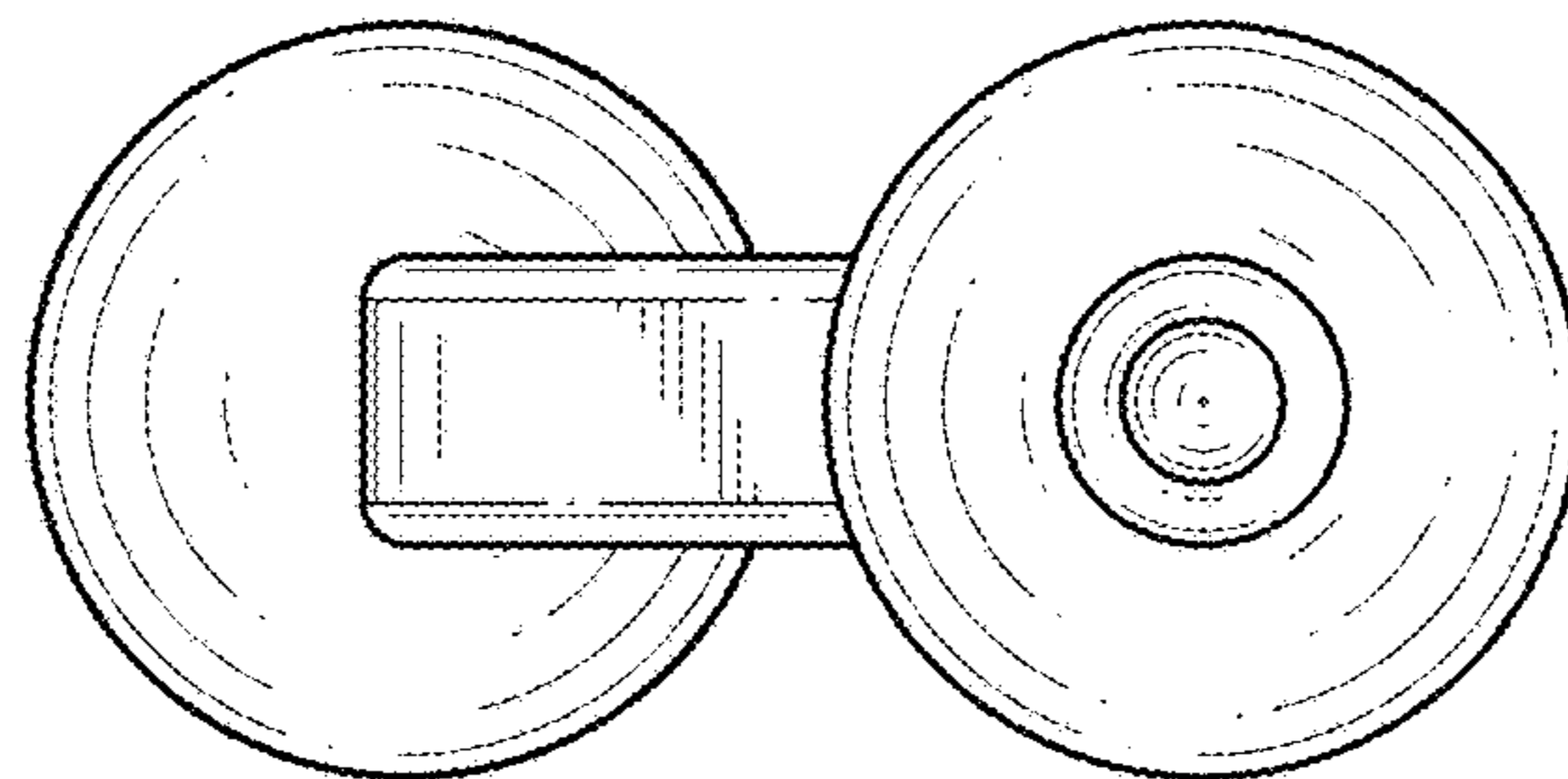


FIG. 7