



US00D851713S

(12) **United States Design Patent**
Hubert

(10) **Patent No.:** **US D851,713 S**
(45) **Date of Patent:** **** Jun. 18, 2019**

(54) **GYMNASTICS APPARATUS**

FOREIGN PATENT DOCUMENTS

(71) Applicant: **Weymayer Hubert**, Steyr (AT)

AT 515794 (A4) 12/2015

(72) Inventor: **Weymayer Hubert**, Steyr (AT)

OTHER PUBLICATIONS

(**) Term: **15 Years**

Weymayer Hubert, video on youtube, Oct. 29, 2015: https://www.youtube.com/watch?v=HN_qauWngfY&feature=youtu.be.

(21) Appl. No.: **35/502,825**

(22) Filed: **Oct. 19, 2016**

Primary Examiner — Richard E Chilcot

(80) **Hague Agreement Data**

(74) *Attorney, Agent, or Firm* — Laurence A. Greenberg; Werner H. Stemer; Ralph E. Locher

Int. Filing Date: **Oct. 19, 2016**

Int. Reg. No.: **DM/093566**

Int. Reg. Date: **Oct. 19, 2016**

Int. Reg. Pub. Date: **Apr. 21, 2017**

(57) **CLAIM**

I claim the ornamental design for a gymnastics apparatus, as shown and described.

(51) **LOC (11) Cl.** **21-02**

(52) **U.S. Cl.**
USPC **D21/686**
CPC **A43B 1/00** (2013.01)

DESCRIPTION

(58) **Field of Classification Search**
USPC D21/675, 686, 691, 797, 826; 482/34, 482/142

CPC A63B 1/00; A63B 3/00; A63B 7/085
See application file for complete search history.

1.1 is a perspective view of a gymnastics apparatus showing my new design;
1.2 is an exploded view thereof;
1.3 is a top, front, right side perspective view of an anchor thereof;
1.4 is a bottom, rear, left side perspective view of the anchor;
1.5 is a top, front, left side perspective view of a frame thereof;
1.6 is a bottom, rear, right side perspective view of the frame;
1.7 is a right side view of the frame;
1.8 is a front view of the frame in a first height setting;
1.9 is a front view of the frame in a second height setting;
1.10 is a front view of the frame in a third height setting;
1.11 is a front view of the frame in a fourth height setting;
1.12 is a top, front, left side perspective view of a support plate thereof; and
1.13 is a bottom, rear, right side perspective view of the support plate.
The broken line showing of a support belt, a slackline, anchor rods, an anchor pin, and human feet in views **1.1** and **1.2** is for the purpose of illustrating environmental structure and forms no part of the claimed design.

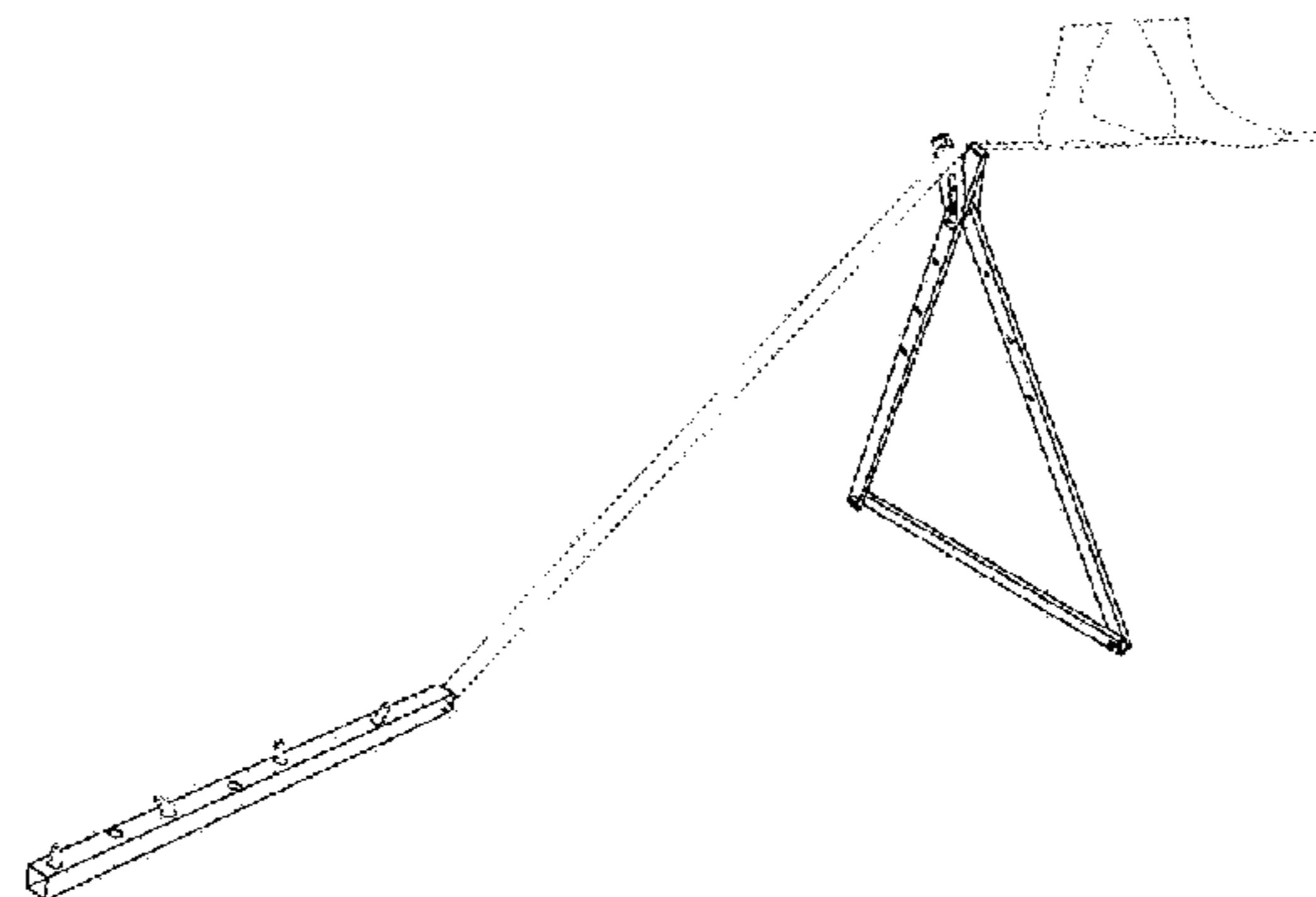
(56) **References Cited**

U.S. PATENT DOCUMENTS

715,530	A *	12/1902	Wallace	A63B 1/00 211/206
1,495,536	A *	5/1924	Smith	A63B 1/00 482/38
2,932,510	A *	4/1960	Kravitz	A63B 3/00 248/423
D191,615	S *	10/1961	Gregory	D21/797
3,430,954	A *	3/1969	Massey	A63B 1/00 108/118
3,653,658	A *	4/1972	Robertson	A63B 3/00 482/23
3,658,325	A *	4/1972	Baker	A63B 7/08 482/34

(Continued)

1 Claim, 13 Drawing Sheets



(56)

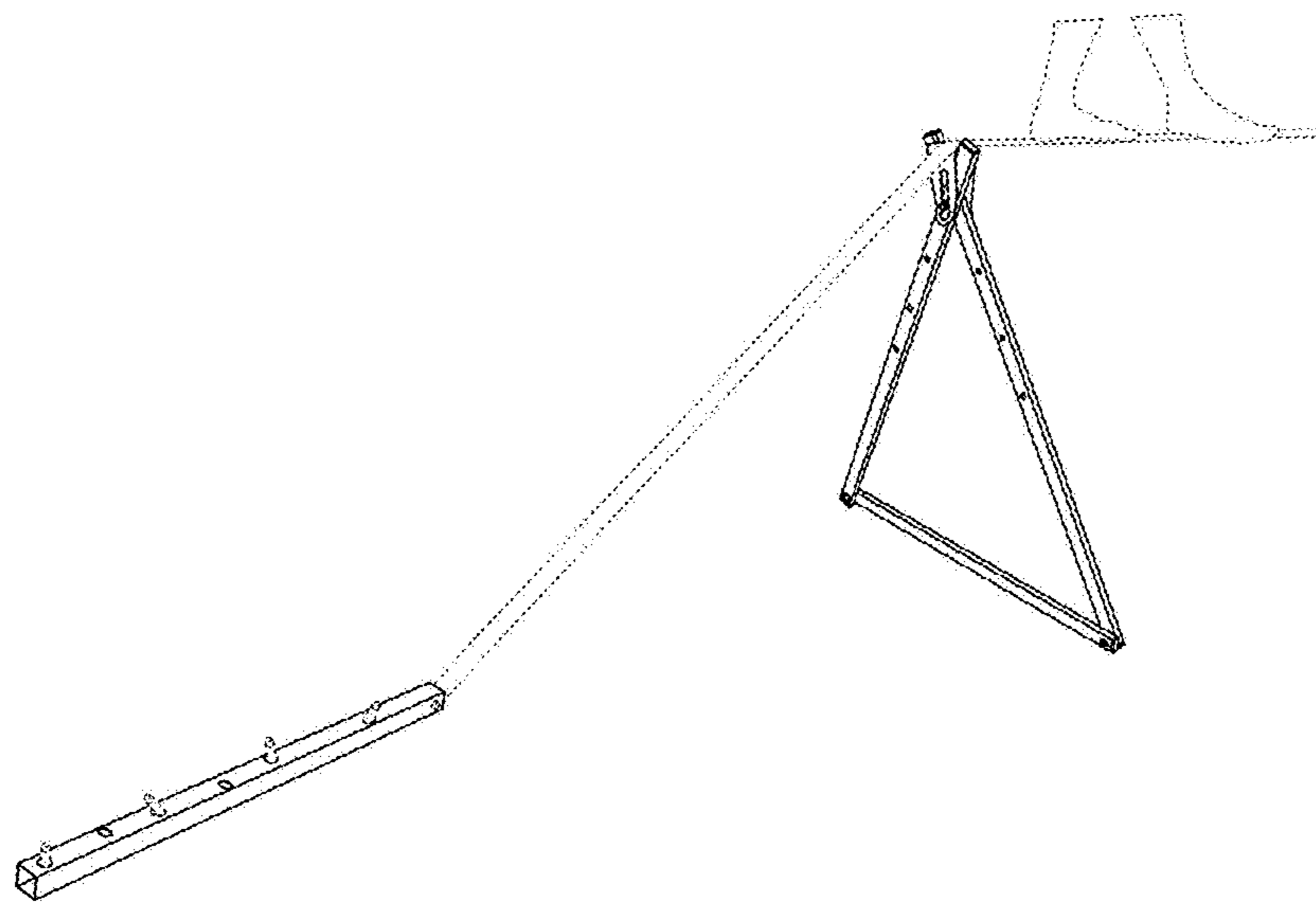
References Cited

U.S. PATENT DOCUMENTS

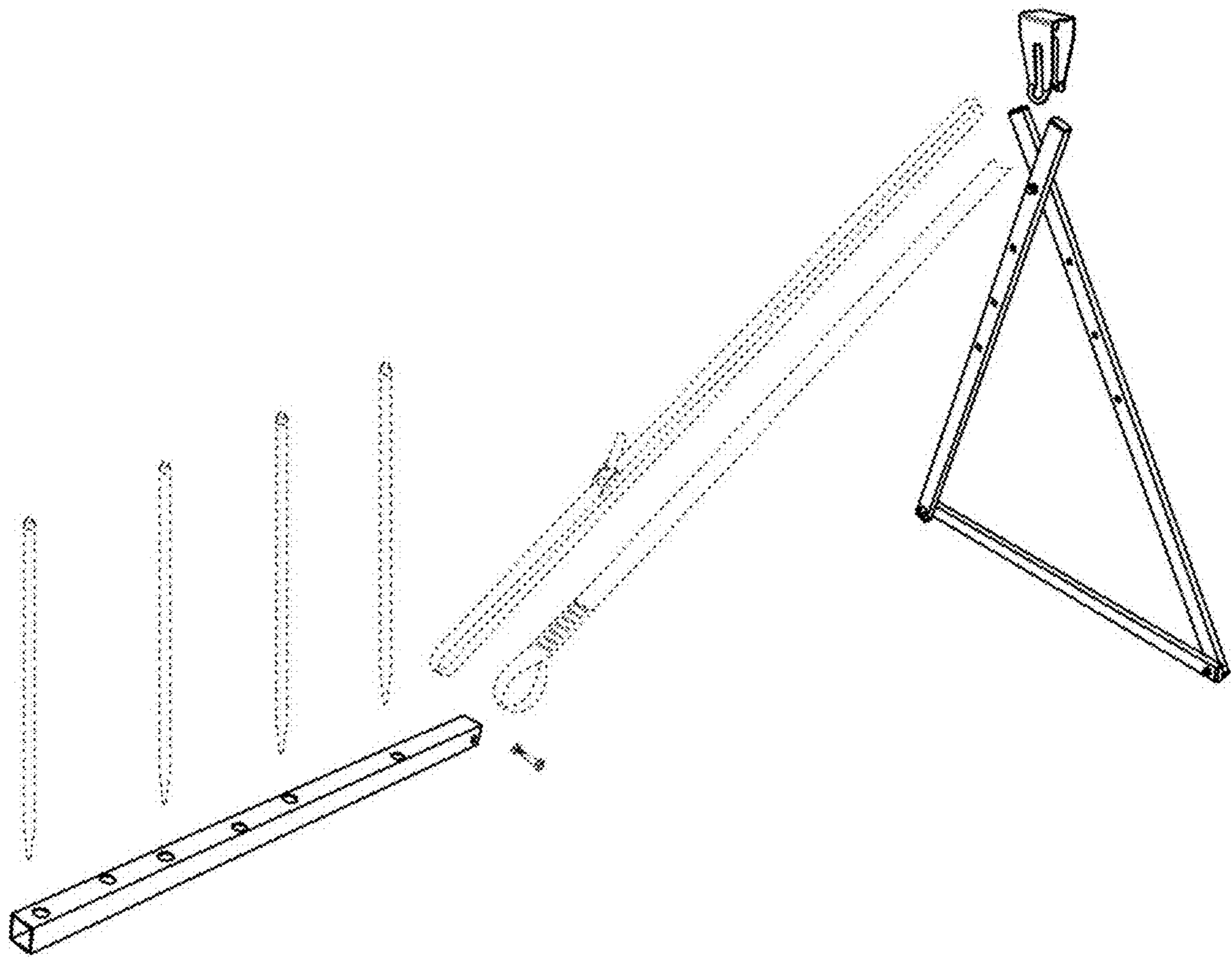
3,754,757 A * 8/1973 Bowen A63B 7/08
482/34
4,334,675 A * 6/1982 Parry A63B 3/00
482/42
D300,234 S * 3/1989 Eyman, Jr. D21/797
D664,622 S * 7/2012 Orsulak D21/686
8,986,178 B2 * 3/2015 Klopman A63B 7/085
482/142
D794,144 S * 8/2017 Abelbeck D21/686

* cited by examiner

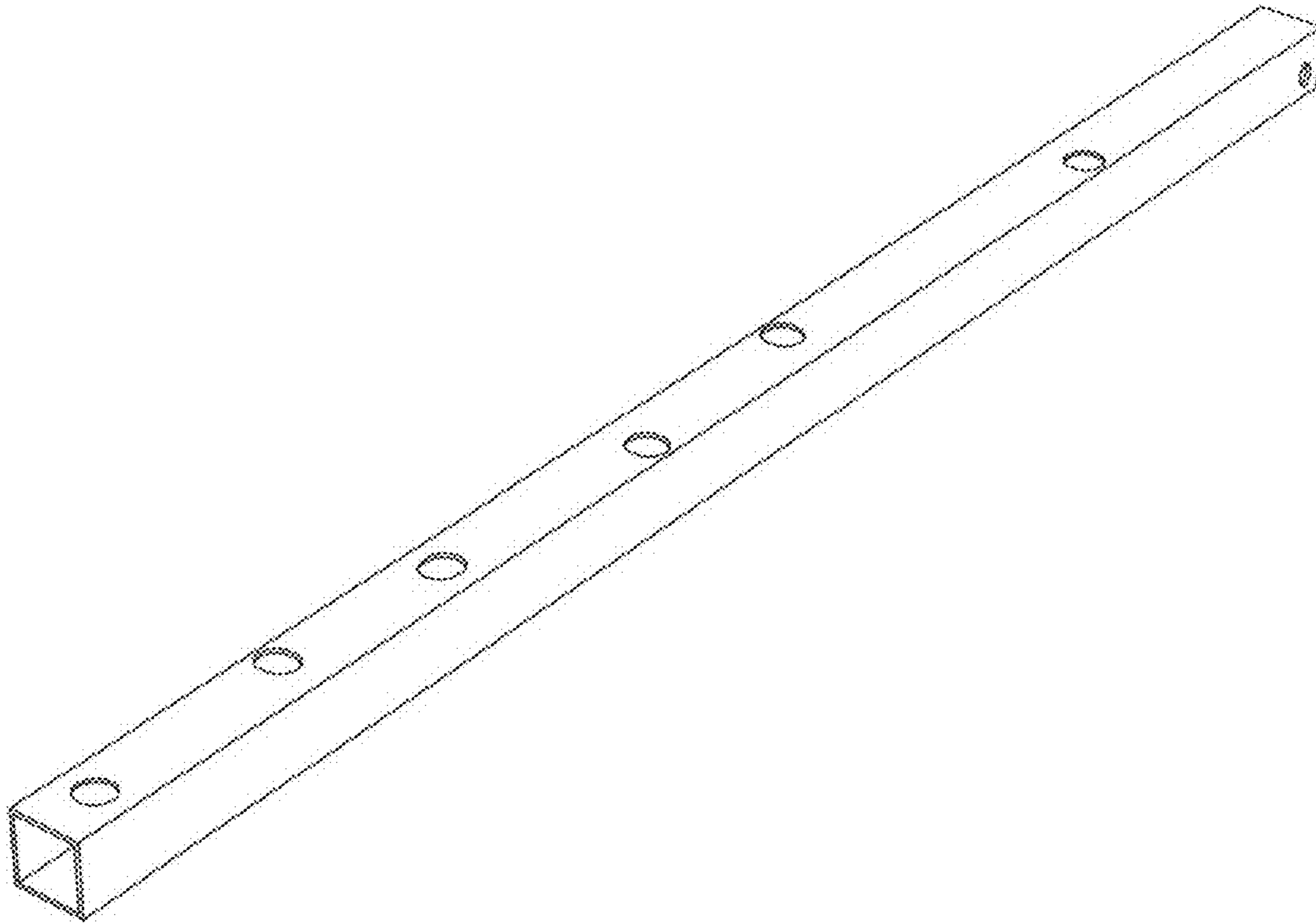
1.1



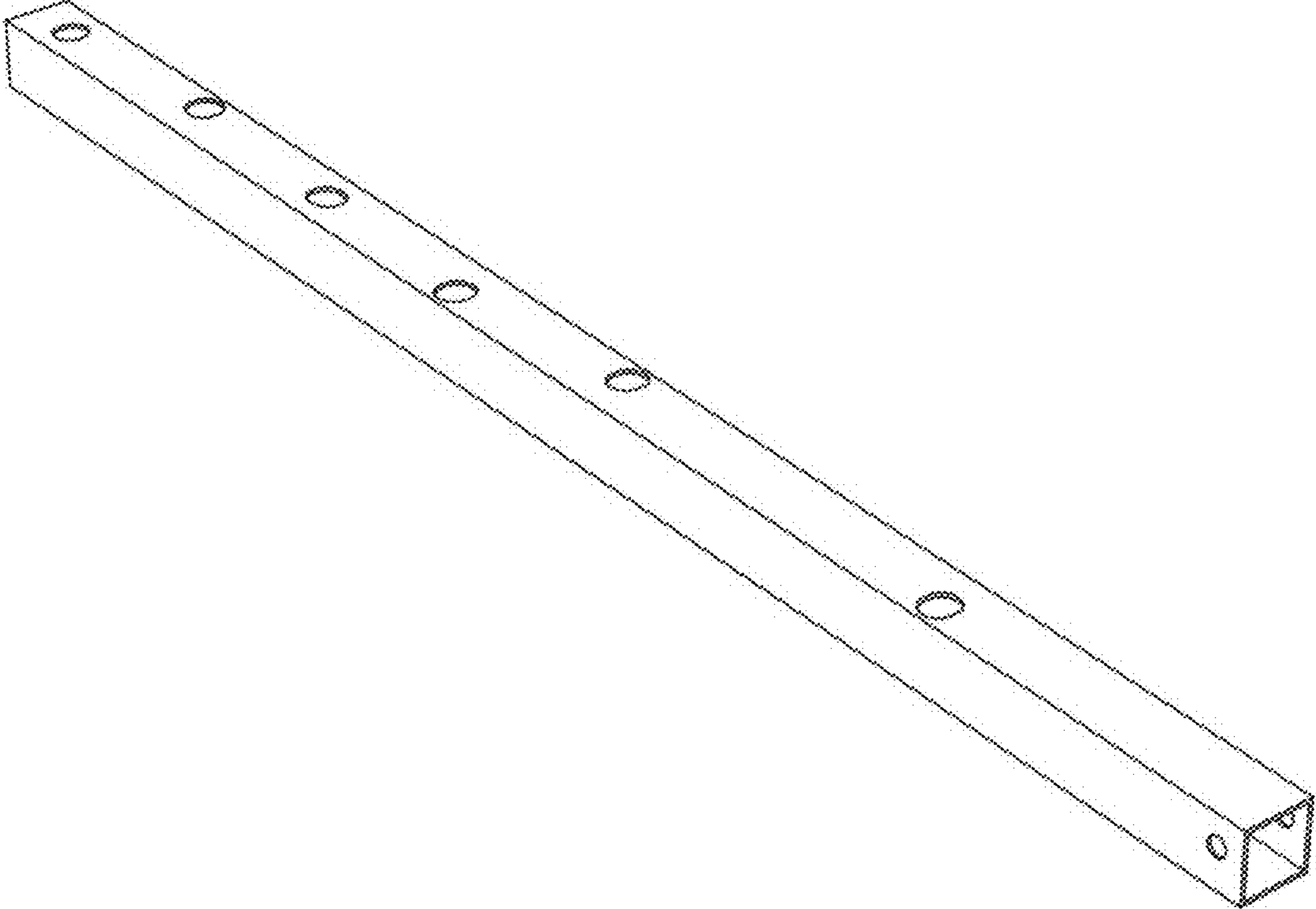
1.2



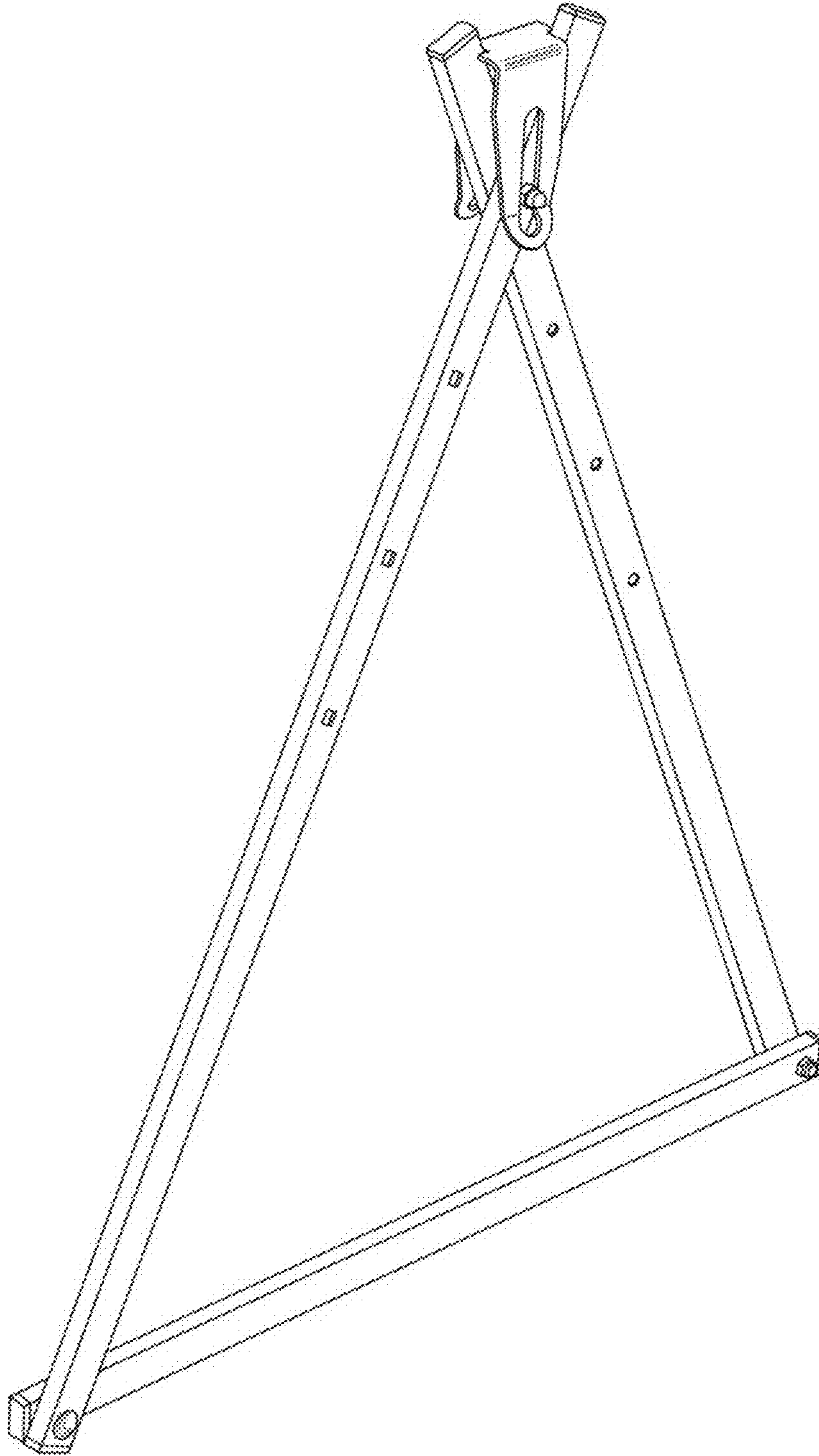
1.3



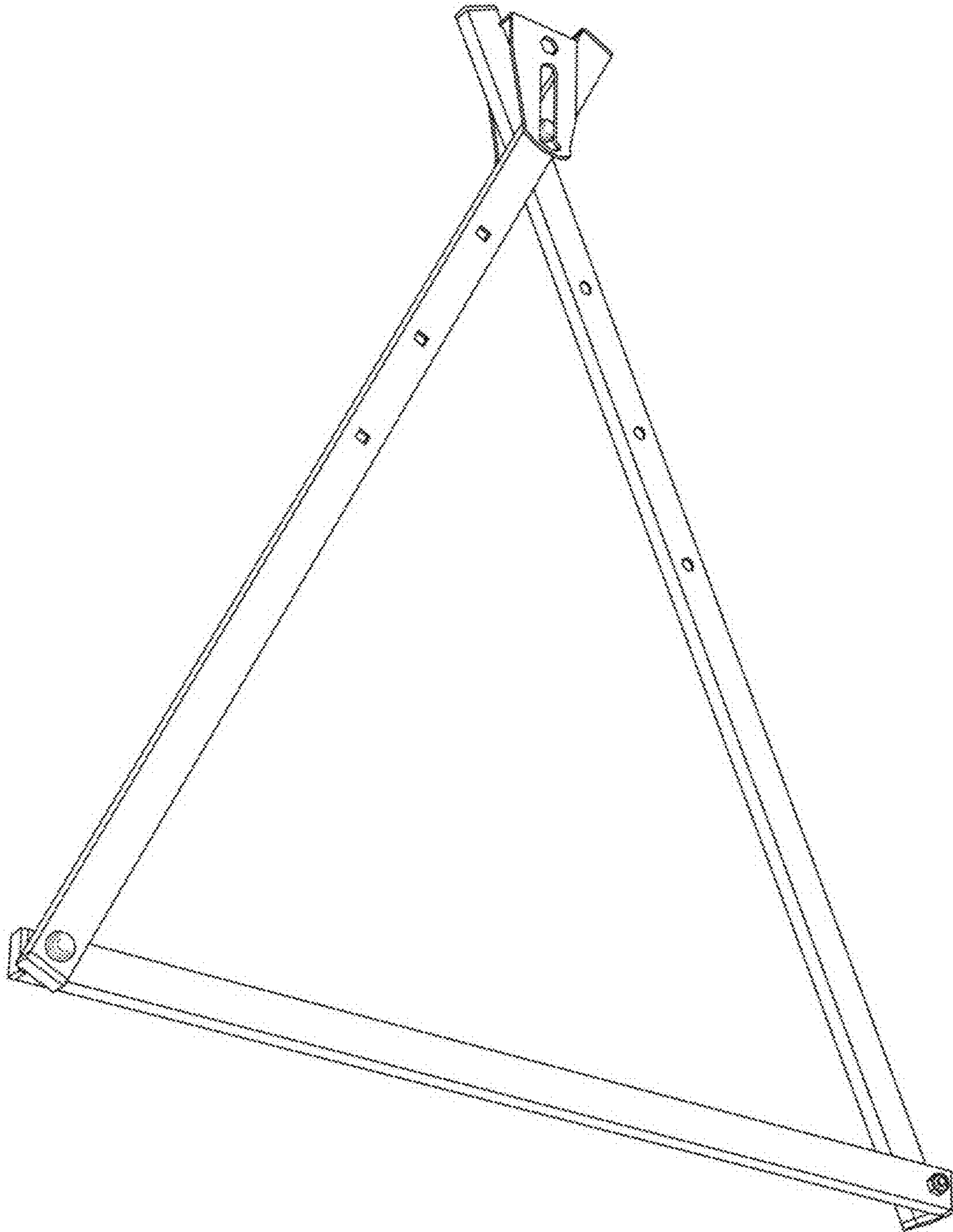
1.4

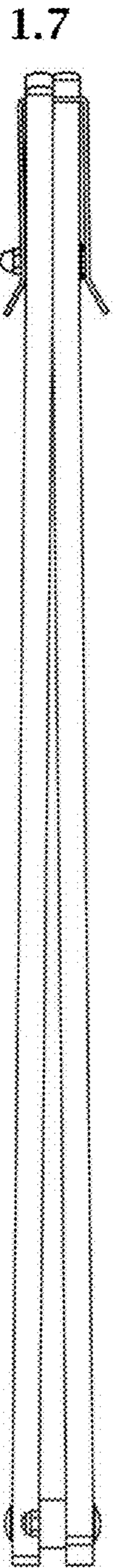


1.5

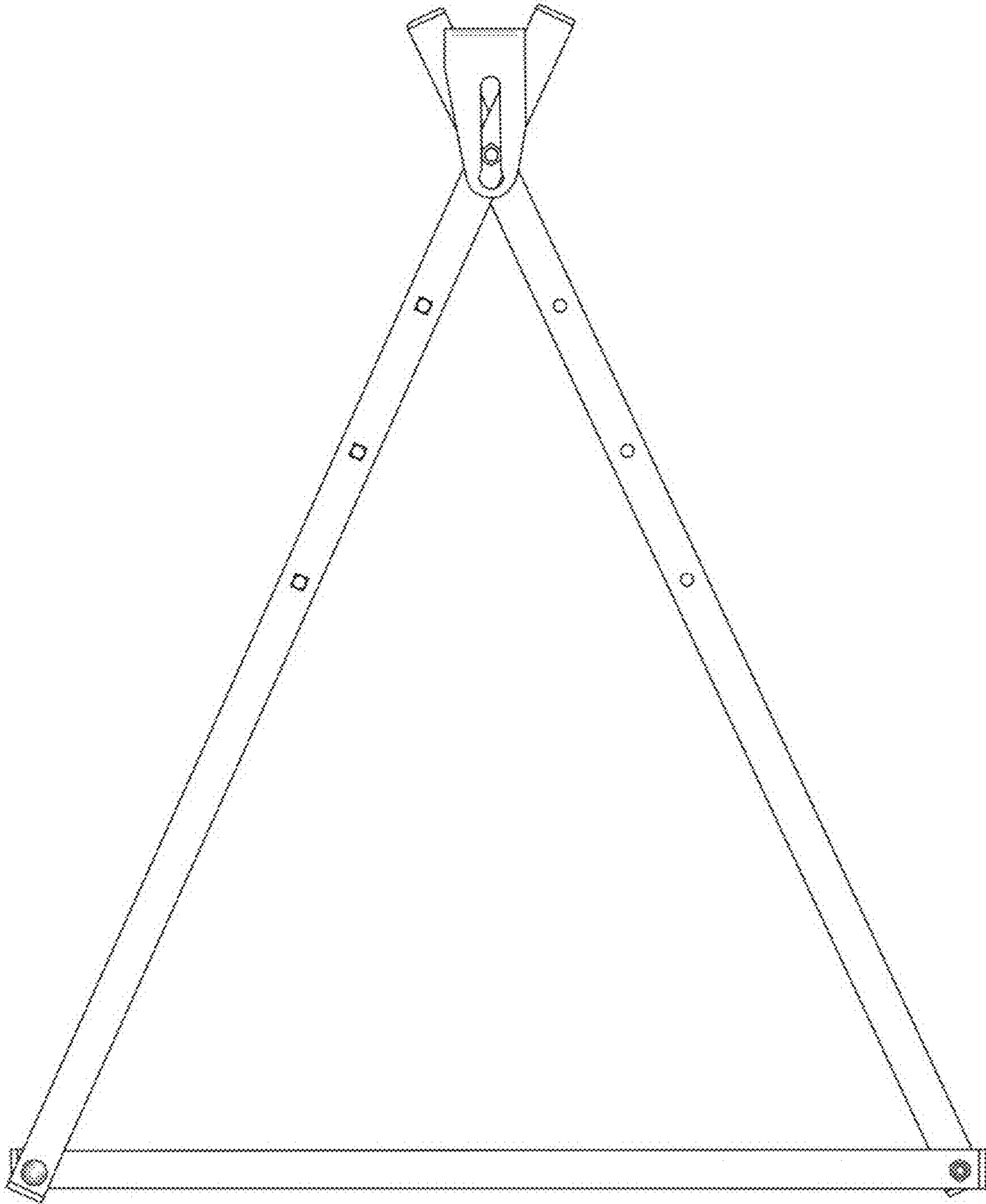


1.6

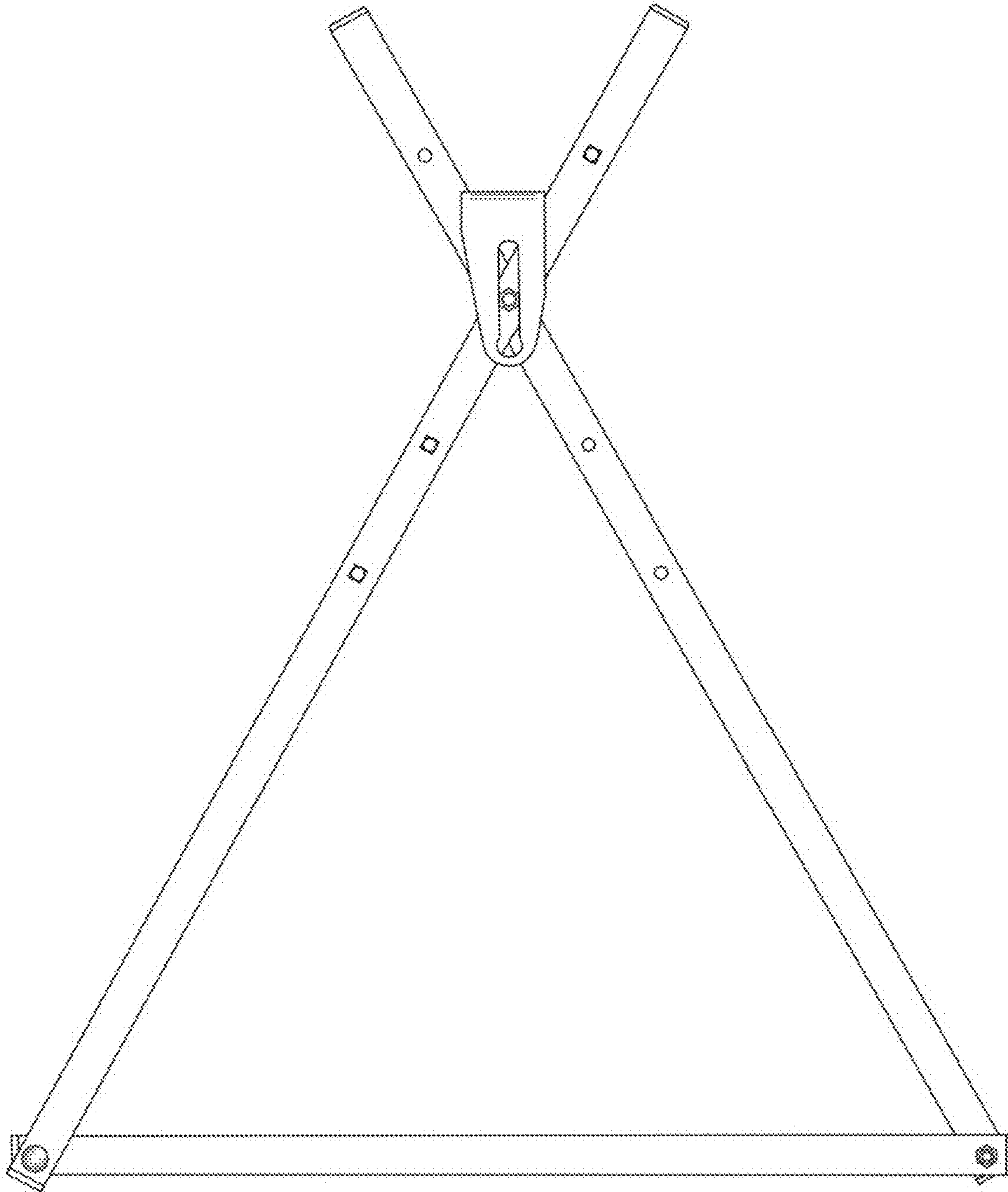




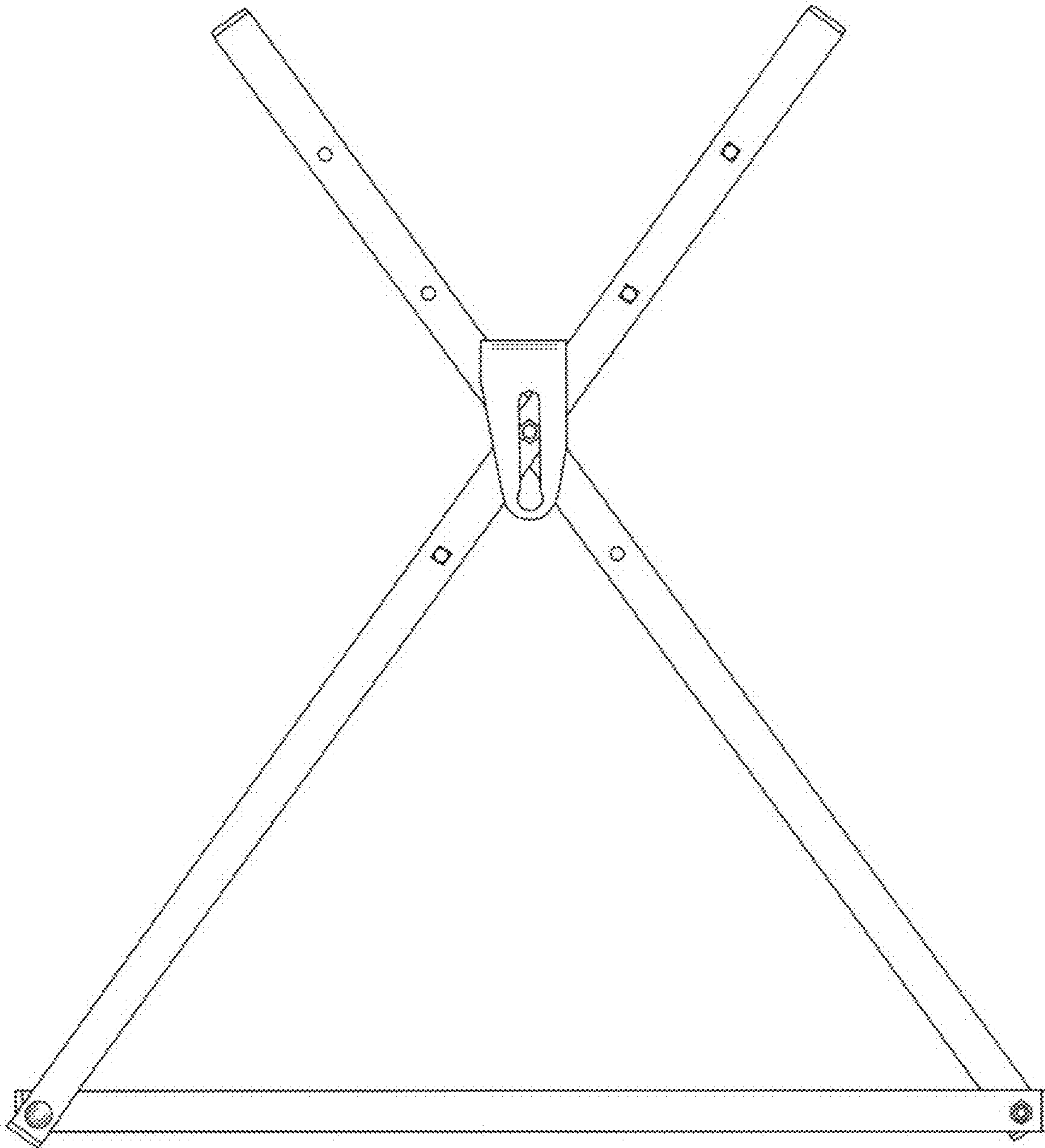
1.8



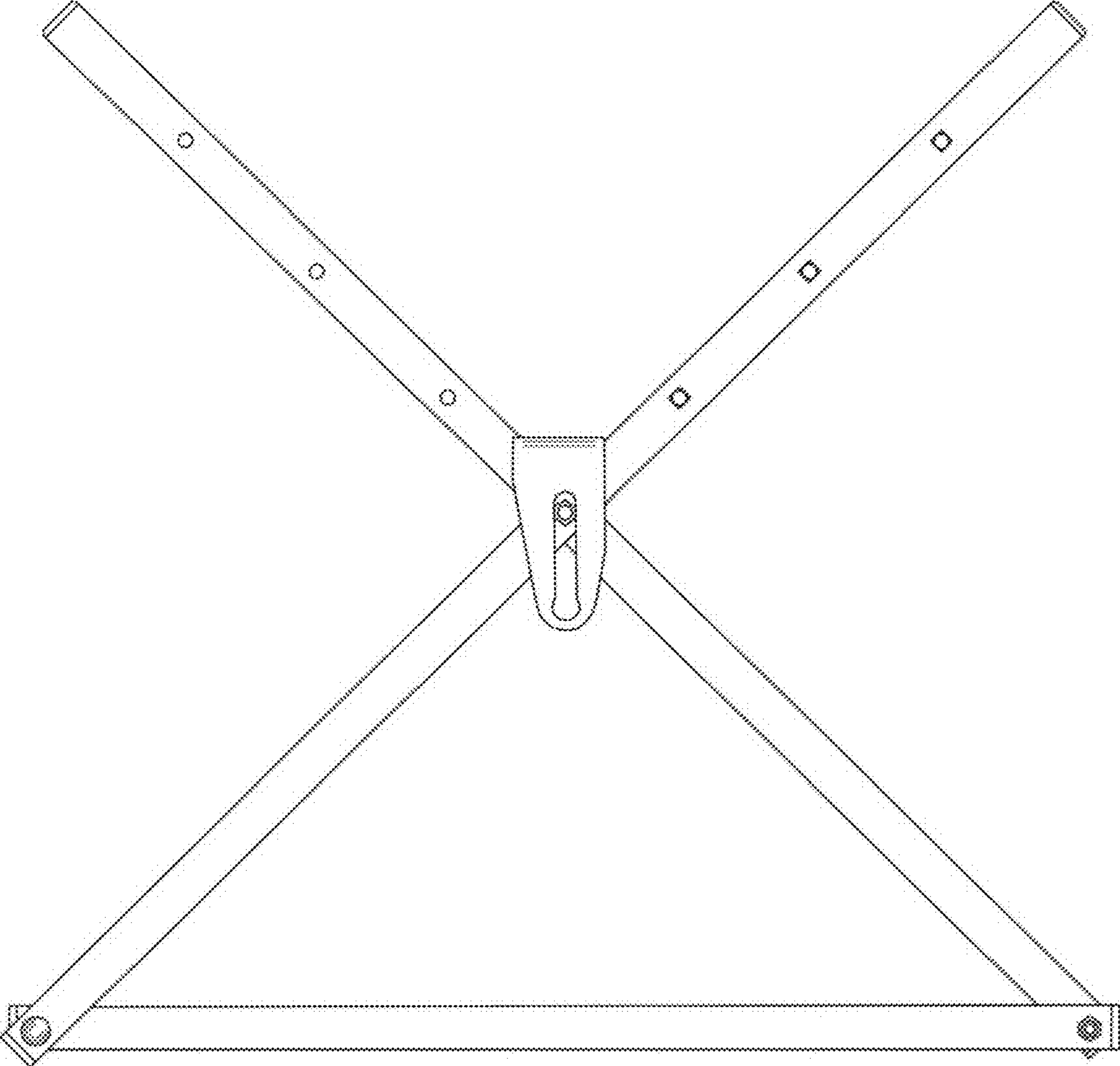
1.9



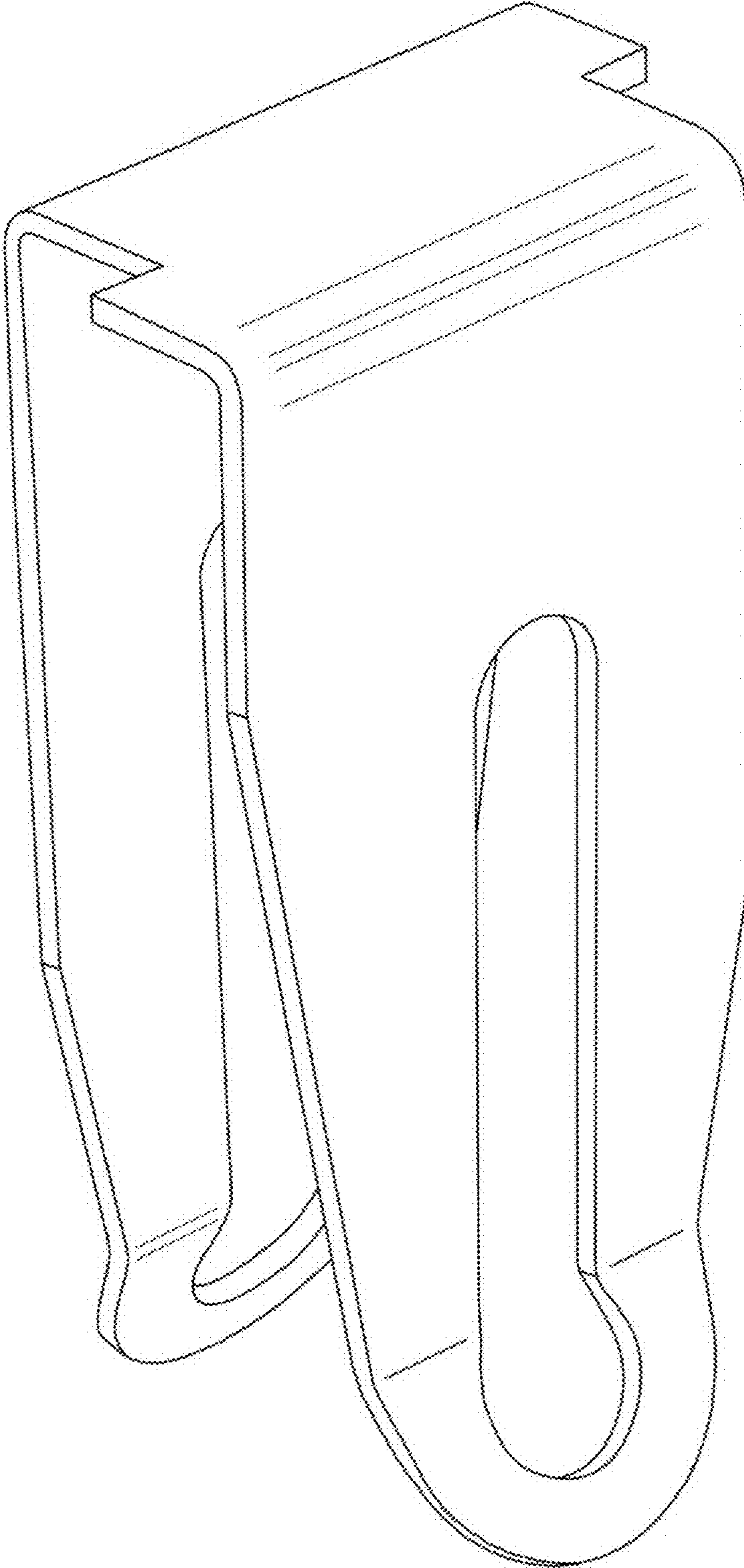
1.10



1.11



1.12



1.13

