



US00D851711S

(12) **United States Design Patent** (10) **Patent No.:** **US D851,711 S**
Brezovar (45) **Date of Patent:** **** Jun. 18, 2019**

- (54) **EXERCISE WEIGHT PLATE**
(71) Applicant: **Brunswick Corporation**, Mettawa, IL (US)
(72) Inventor: **Wayne T. Brezovar**, Chicago, IL (US)
(73) Assignee: **Brunswick Corporation**, Mettawa, IL (US)
(**) Term: **15 Years**
(21) Appl. No.: **29/676,847**
(22) Filed: **Jan. 15, 2019**

D448,055 S * 9/2001 Lien D21/680
6,319,176 B1 * 11/2001 Landfair A63B 21/06
482/106
6,436,015 B1 * 8/2002 Frasco A63B 21/072
482/106
D474,517 S * 5/2003 Harms D21/680
(Continued)

FOREIGN PATENT DOCUMENTS

CN 102814023 12/2012
GB 2492079 12/2012

(Continued)

OTHER PUBLICATIONS

Lifefitness, "Hammer Strength Urethane Round Olympic Plates", Jun. 16, 2018. <https://shop.lifefitness.com/hammer-strength-urethane-round-olympic-plates>. Shown on p. 1. (Year: 2018).*

Primary Examiner — Cynthia Ramirez

Assistant Examiner — Michael A Maharajh

(74) *Attorney, Agent, or Firm* — Andrus Intellectual Property LLP

- Related U.S. Application Data**
(62) Division of application No. 29/629,961, filed on Dec. 18, 2017, now Pat. No. Des. 842,941.
(51) **LOC (11) Cl.** **21-02**
(52) **U.S. Cl.**
USPC **D21/680**
(58) **Field of Classification Search**
USPC 482/93, 106, 108; D12/175, 202, 204,
D12/207, 604; D21/662, 680, 681, 682,
D21/684, 808
CPC ... A63B 21/072; A63B 21/06; A63B 21/0728;
A63B 21/075
See application file for complete search history.

(57) **CLAIM**

The ornamental design for an exercise weight plate, as shown and described.

DESCRIPTION

FIG. 1 is a front perspective view of an exercise weight plate showing my new design.

FIG. 2 is a front view thereof.

FIG. 3 is a rear view thereof.

FIGS. 4 and 5 are opposing side views thereof.

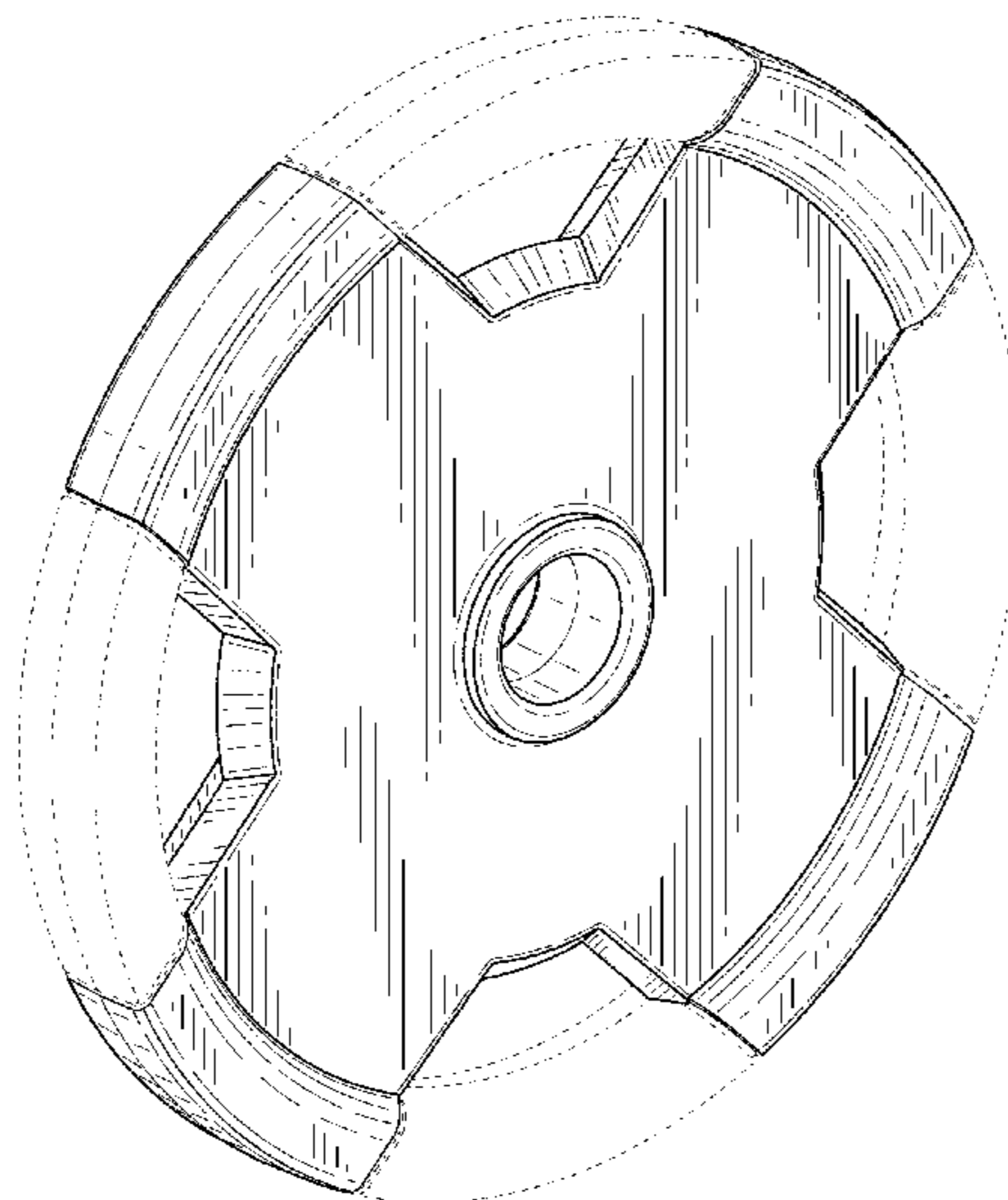
FIG. 6 is a top view thereof; and,

FIG. 7 is a bottom view thereof.

The broken lines represent portions of the exercise weight plate that are shown for illustrative purposes only and form no part of the claimed design.

- (56) **References Cited**
U.S. PATENT DOCUMENTS

D194,042 S * 11/1962 Guthormsen 482/106
5,137,502 A * 8/1992 Anastasi A63B 21/072
482/105
5,692,996 A * 12/1997 Widerman A63B 21/072
482/106
D406,183 S * 2/1999 Zovich D21/680
D414,275 S 9/1999 Azar
D426,001 S 5/2000 Azar
D434,090 S * 11/2000 Wallace D21/680

1 Claim, 5 Drawing Sheets

(56)

References Cited

U.S. PATENT DOCUMENTS

D476,383 S 6/2003 Chen
 D483,083 S 12/2003 Allshouse et al.
 6,702,723 B2 3/2004 Landfair
 6,746,380 B2 6/2004 Lien et al.
 D500,976 S * 1/2005 Baker D12/207
 D502,514 S 3/2005 Buchanan
 6,991,590 B2 1/2006 Vigiano
 D521,914 S 5/2006 Pfeiffer
 D546,478 S 7/2007 Adam
 D546,908 S 7/2007 Lien
 7,300,389 B2 11/2007 Lien et al.
 D562,415 S * 2/2008 Xu D21/680
 D562,919 S 2/2008 Hillson
 D566,207 S * 4/2008 Cao D21/681
 D566,208 S * 4/2008 Alessandri D21/681
 D606,133 S * 12/2009 Lien D21/681
 7,704,196 B2 4/2010 Lien et al.
 D617,854 S * 6/2010 Gettle D21/680
 D621,074 S 8/2010 Rhee
 D628,251 S 11/2010 Krull et al.
 D639,874 S 6/2011 Hillson
 D643,075 S * 8/2011 Childs D21/680
 D673,230 S * 12/2012 Qin D21/680
 D684,224 S * 6/2013 Davies, III D21/680
 D688,757 S * 8/2013 Davies, III D21/680
 D688,758 S * 8/2013 Davies, III D21/680
 D688,759 S * 8/2013 Davies, III D21/680
 8,591,387 B2 * 11/2013 Fife A63B 21/072
 482/106
 D722,348 S 2/2015 Kessler
 D731,006 S * 6/2015 Birt D21/680

D749,177 S 2/2016 Childs
 D751,157 S 3/2016 Irwin
 D798,968 S * 10/2017 Lien D21/680
 D802,689 S * 11/2017 Lien D21/682
 2001/0049324 A1 * 12/2001 Wallace A63B 21/072
 482/106
 2002/0091044 A1 * 7/2002 Lien A63B 21/06
 482/106
 2004/0092370 A1 * 5/2004 Lincir A63B 21/072
 482/107
 2004/0166997 A1 * 8/2004 Vigiano A63B 21/06
 482/93
 2006/0211547 A1 * 9/2006 Lien A63B 21/0728
 482/93
 2007/0135271 A1 * 6/2007 Lien A63B 21/0724
 482/93
 2007/0184943 A1 * 8/2007 Davies A63B 21/0724
 482/93
 2010/0210427 A1 8/2010 Yu
 2010/0255960 A1 10/2010 Kessler
 2011/0306475 A1 12/2011 Caswell et al.
 2013/0012367 A1 1/2013 Williams
 2013/0157814 A1 6/2013 Nowicki
 2013/0184123 A1 * 7/2013 McLoughney A63B 21/0004
 482/8
 2015/0038303 A1 2/2015 Adkins

FOREIGN PATENT DOCUMENTS

GB 2525012 10/2015
 WO 2013/181757 12/2013
 WO 2014/008568 1/2014
 WO 2017/024611 2/2017

* cited by examiner

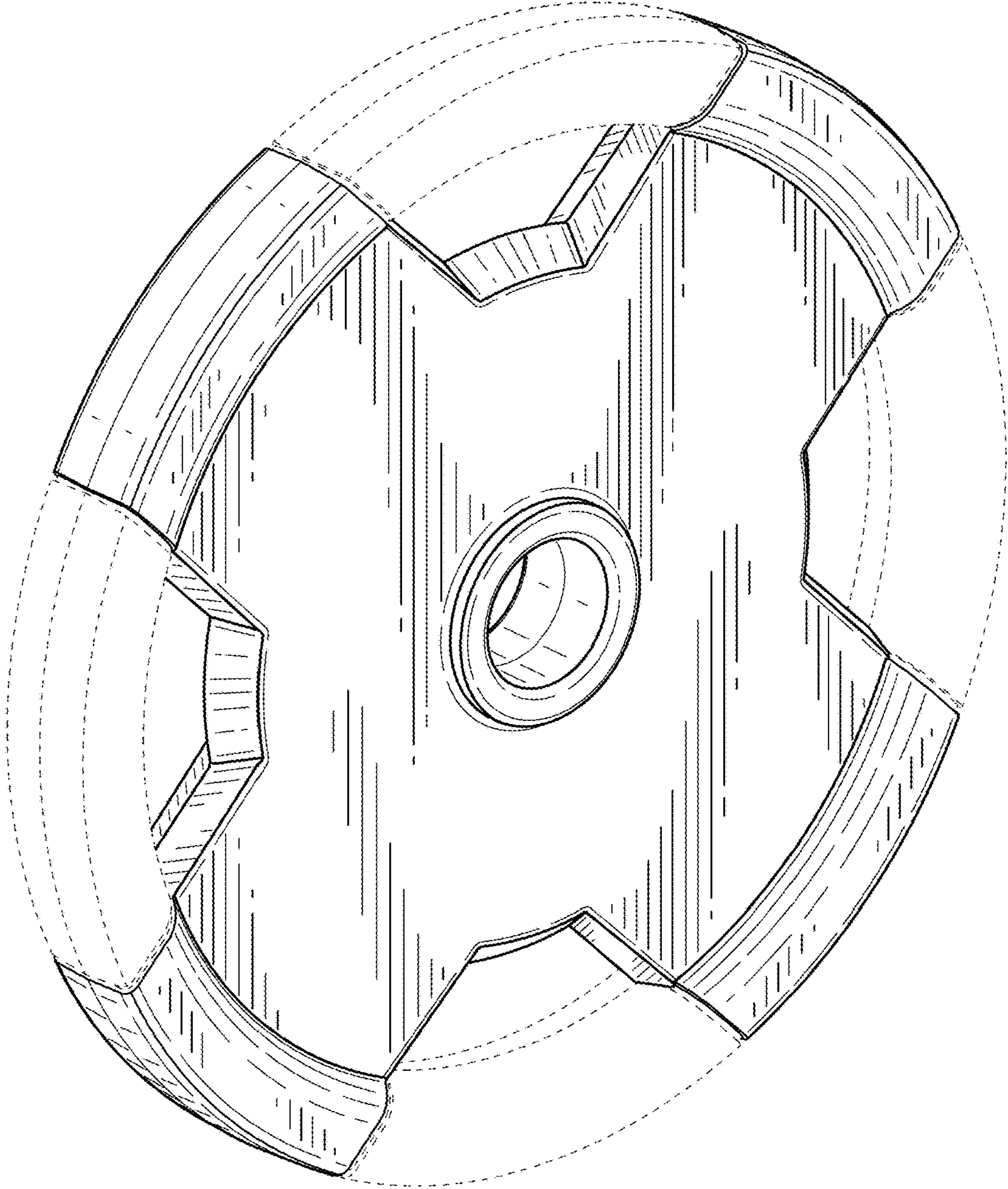


FIG. 1

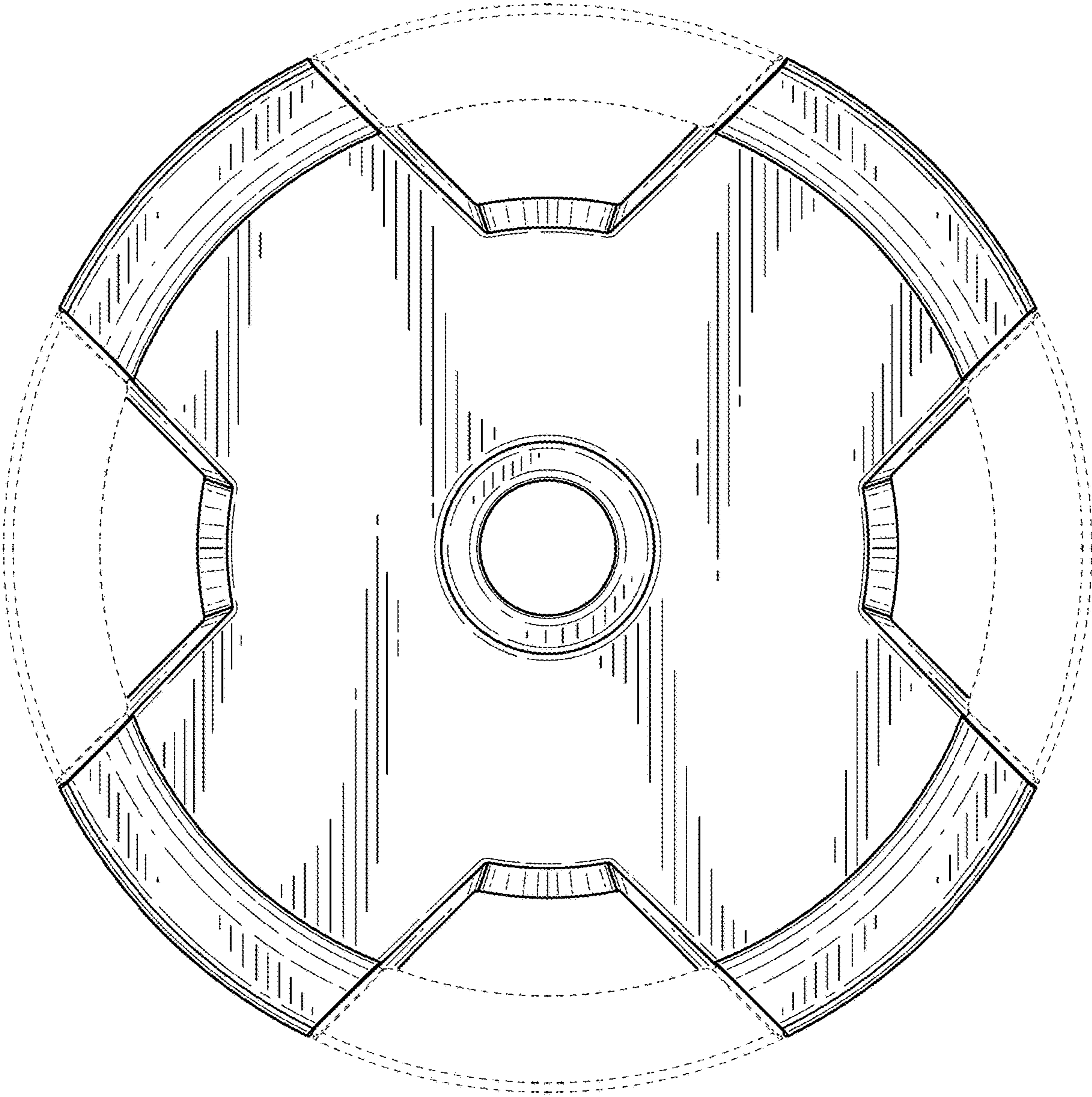


FIG. 2

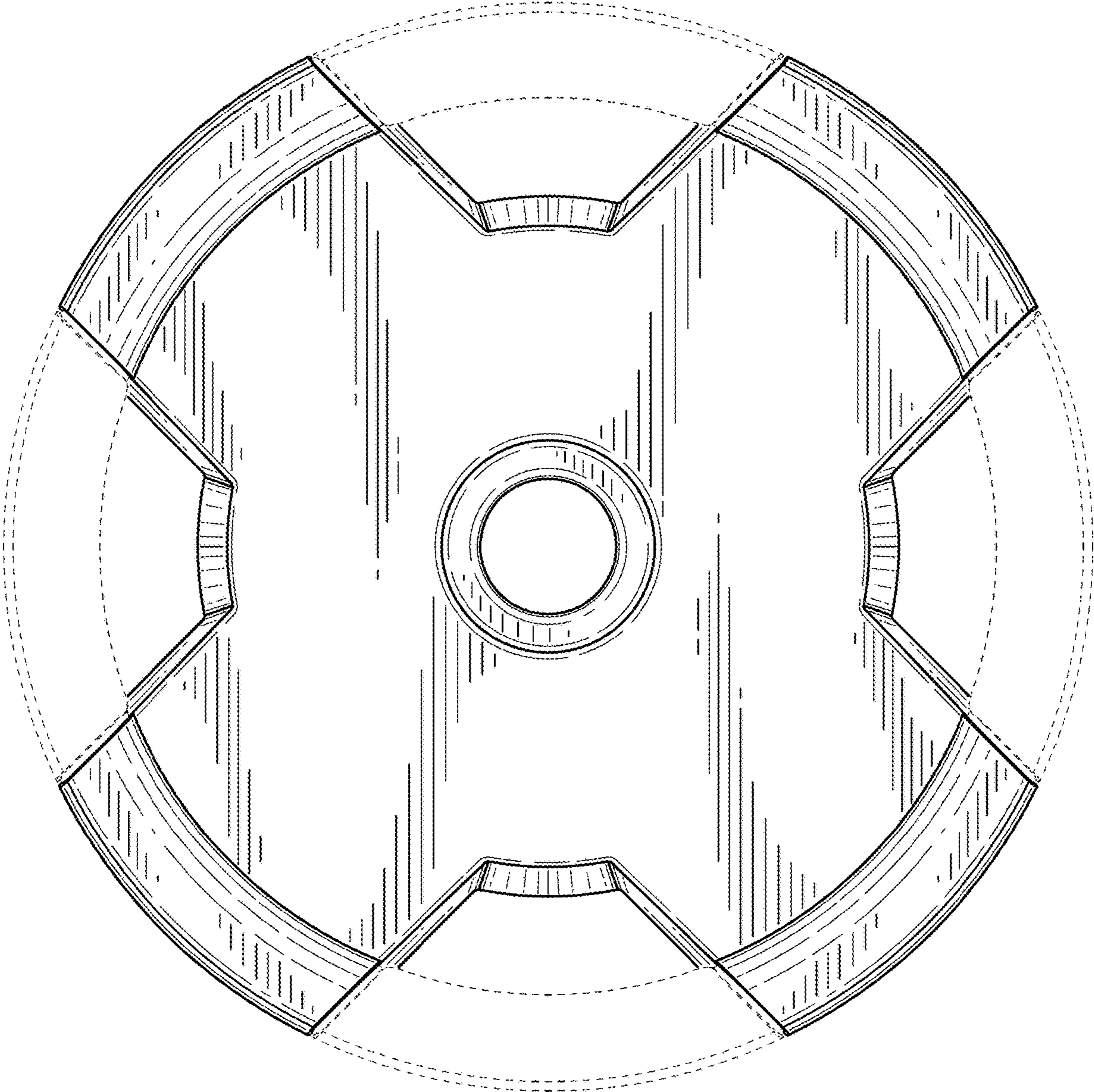


FIG. 3

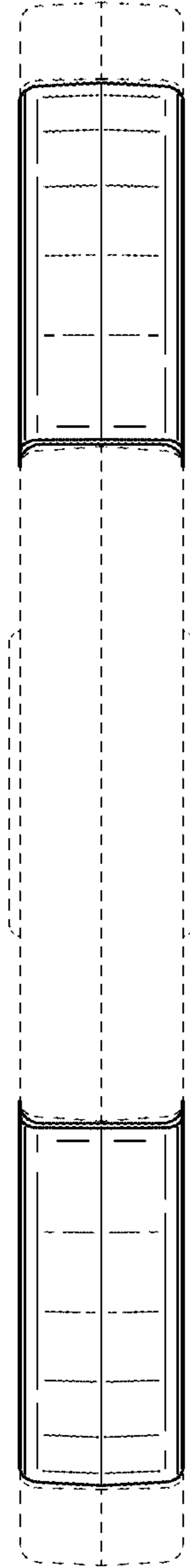


FIG. 4

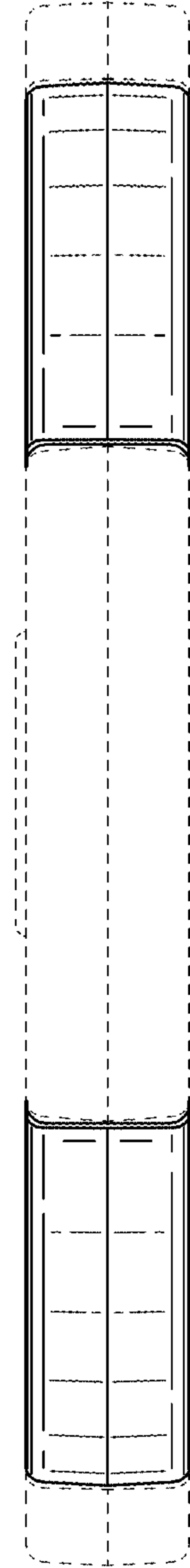


FIG. 5

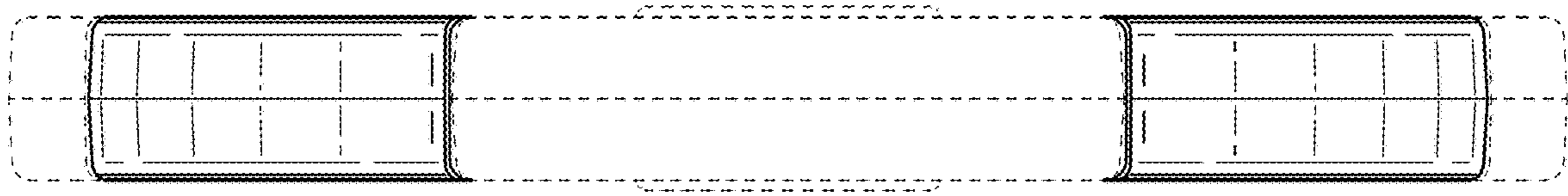


FIG. 6



FIG. 7