



US00D851708S

(12) **United States Design Patent** (10) **Patent No.:** **US D851,708 S**
Saito et al. (45) **Date of Patent:** **** Jun. 18, 2019**

(54) **SPINNING TOP TOY**
(71) Applicant: **TOMY COMPANY, LTD.**, Tokyo (JP)
(72) Inventors: **Shina Saito**, Tokyo (JP); **Toshinobu Ishii**, Saitama (JP)
(73) Assignee: **TOMY COMPANY, LTD.**, Tokyo (JP)
(**) Term: **15 Years**

D827,044 S * 8/2018 Horikoshi D21/460
D827,046 S * 8/2018 Horikoshi D21/460
D828,456 S * 9/2018 Muraki D21/460
D834,101 S * 11/2018 Horikoshi D21/460
D834,102 S * 11/2018 Muraki D21/460
D834,103 S * 11/2018 Horikoshi D21/460
D835,208 S * 12/2018 Horikoshi D21/460
D835,209 S * 12/2018 Hashiba D21/460
D835,724 S * 12/2018 Muraki D21/460
2010/0159798 A1 * 6/2010 Bertrand A63H 1/02
446/259

(21) Appl. No.: **29/637,999**
(22) Filed: **Feb. 23, 2018**
(30) **Foreign Application Priority Data**
Aug. 30, 2017 (JP) 2017-018658
(51) **LOC (11) Cl.** **21-01**
(52) **U.S. Cl.**
USPC **D21/460**
(58) **Field of Classification Search**
USPC D21/455-464; 446/236-266
CPC A63H 1/00-1/32; A63F 9/16
See application file for complete search history.

FOREIGN PATENT DOCUMENTS

CN 303533299 * 12/2015
CN 303533300 * 12/2015
CN 304198033 * 7/2017
EM 003047489-0008 * 4/2016

(Continued)

Primary Examiner — Catherine A Tuttle
(74) *Attorney, Agent, or Firm* — Staas & Halsey LLP

(57) **CLAIM**

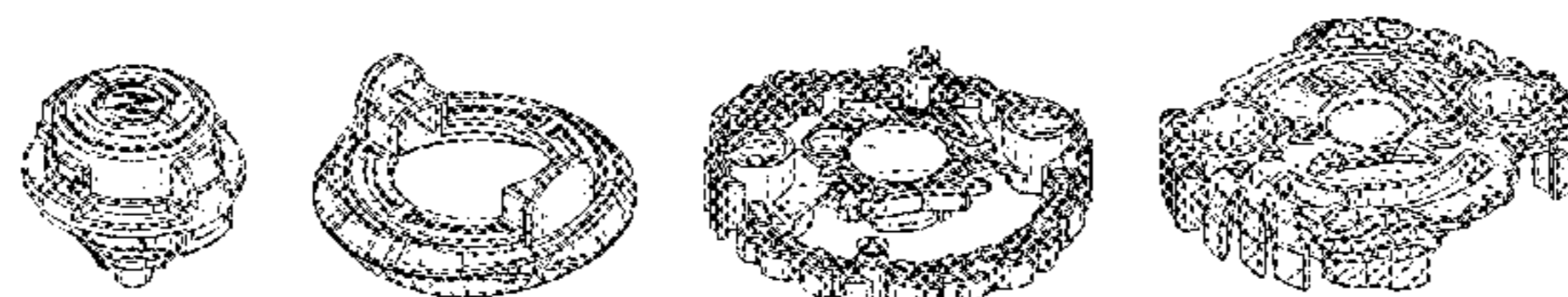
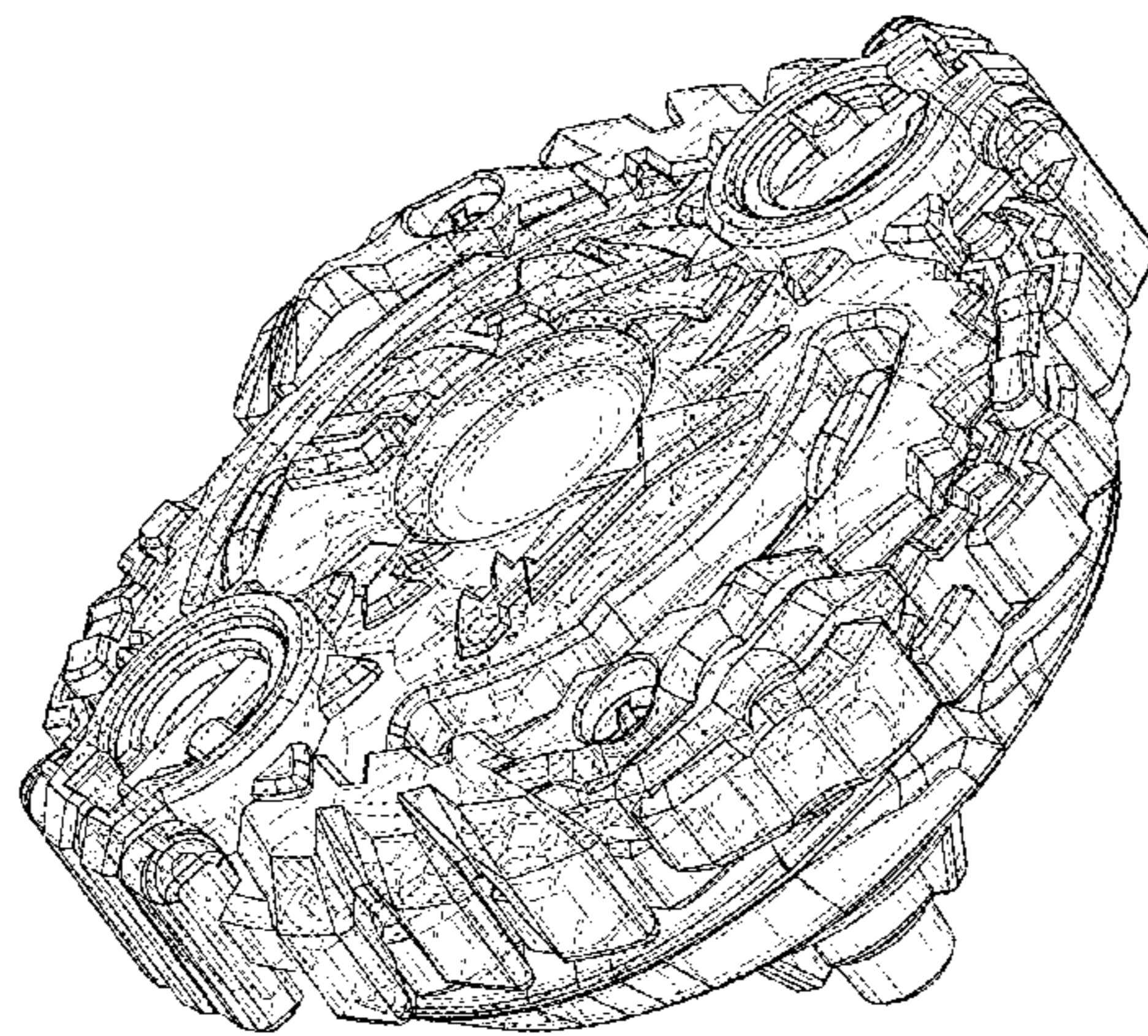
The ornamental design for a spinning top toy, as shown.

DESCRIPTION

FIG. 1 is a front view of the spinning top toy showing our design;
FIG. 2 is a left side view thereof;
FIG. 3 is a rear view thereof;
FIG. 4 is a right side view thereof;
FIG. 5 is a top view thereof;
FIG. 6 is a bottom view thereof;
FIG. 7 is a front, top and right perspective view thereof;
FIG. 8 is a disassembled front, top and right perspective view thereof; and,
FIG. 9 is a disassembled rear, bottom and left perspective view thereof.

1 Claim, 9 Drawing Sheets

(56) **References Cited**
U.S. PATENT DOCUMENTS
D608,842 S * 1/2010 Nishimoto D21/460
D614,245 S * 4/2010 Ujita D21/460
D615,602 S * 5/2010 Nishimoto D21/460
D646,729 S * 10/2011 Ujita D21/460
D666,253 S * 8/2012 Ujita D21/460
D820,919 S * 6/2018 Horikoshi D21/460
D825,007 S * 8/2018 Muraki D21/460
D825,670 S * 8/2018 Muraki D21/460
D825,671 S * 8/2018 Horikoshi D21/460
D825,672 S * 8/2018 Muraki D21/460
D827,043 S * 8/2018 Muraki D21/460



(56)

References Cited

FOREIGN PATENT DOCUMENTS

EM	003844968-0001	*	7/2017	
JP	3154824	U	* 10/2009 A63H 1/16
JP	6236177	B1	* 11/2017 A63H 1/00
JP	6250202	B1	* 12/2017 A63H 1/00
JP	6258541	B1	* 1/2018 A63H 1/04

* cited by examiner

FIG. 1

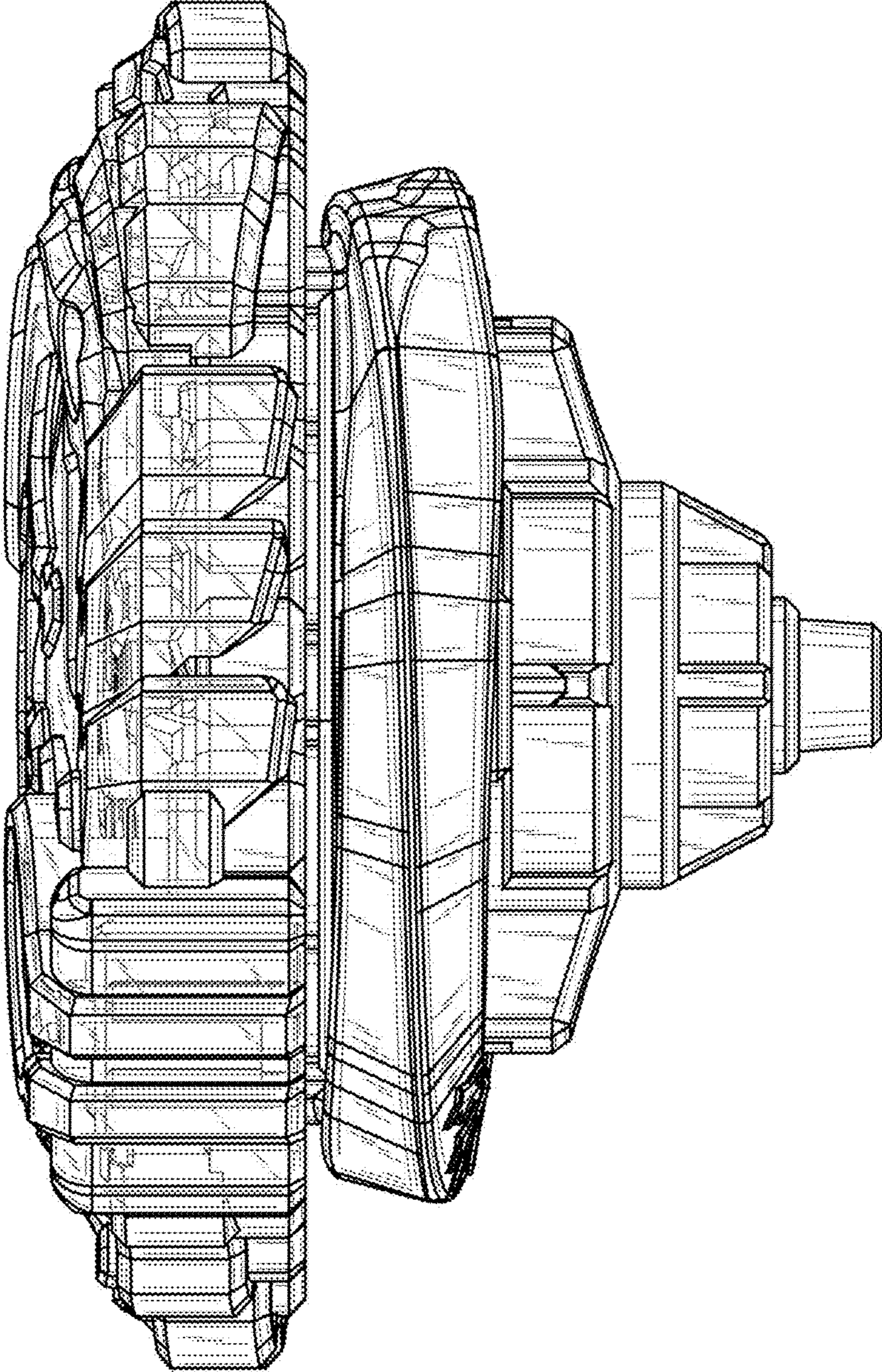


FIG. 2

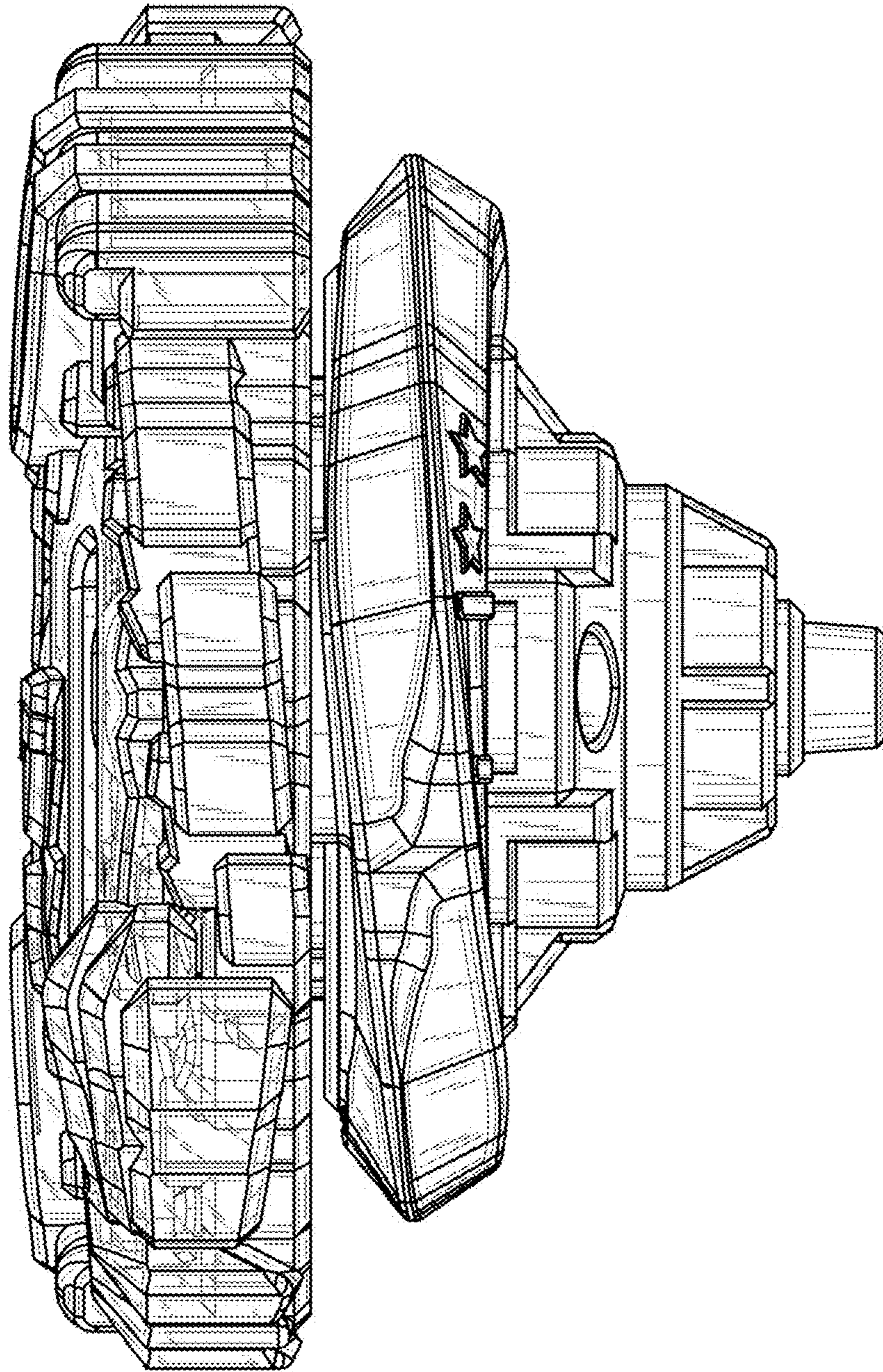


FIG. 3

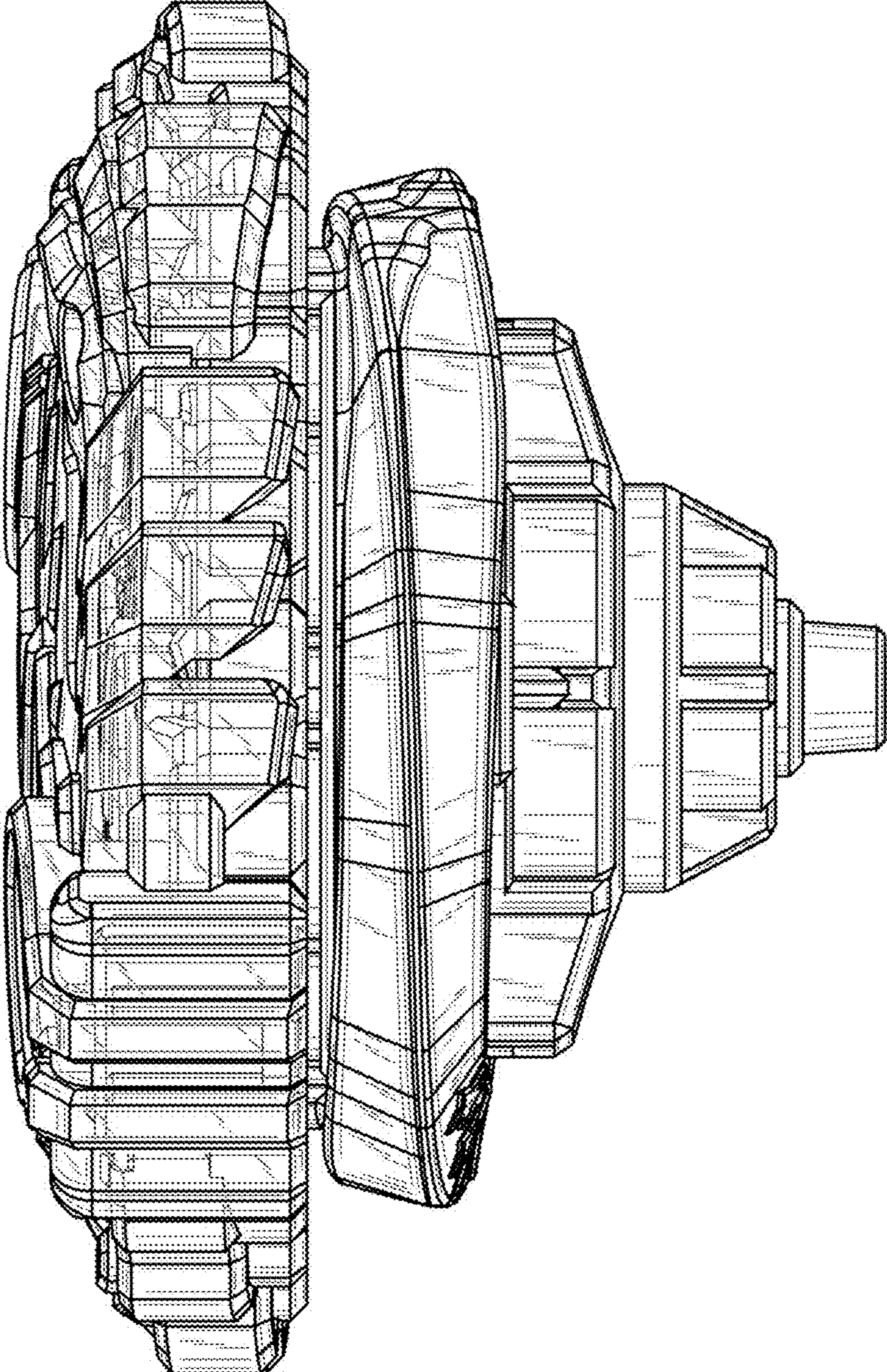
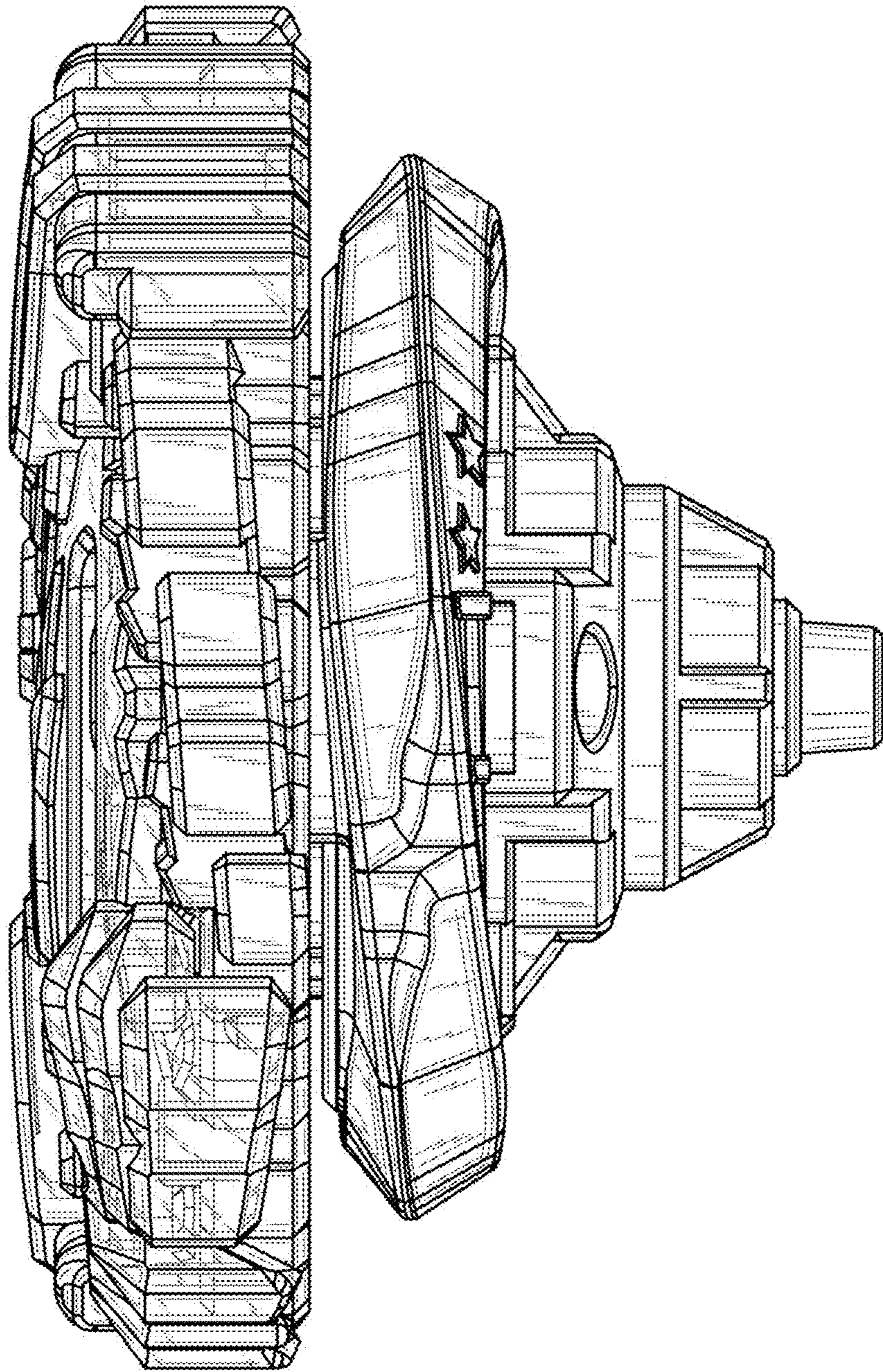


FIG. 4



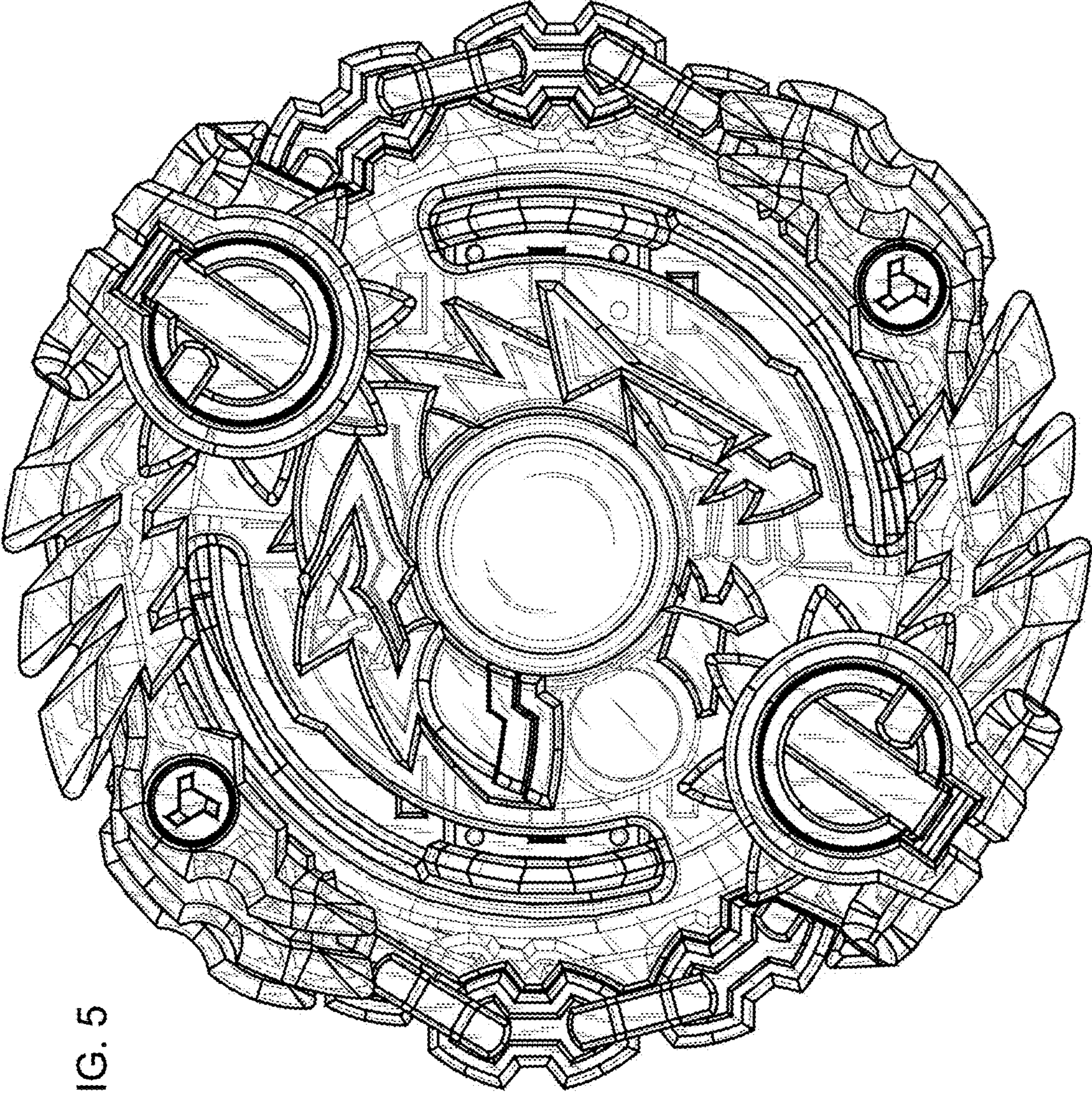


FIG. 5

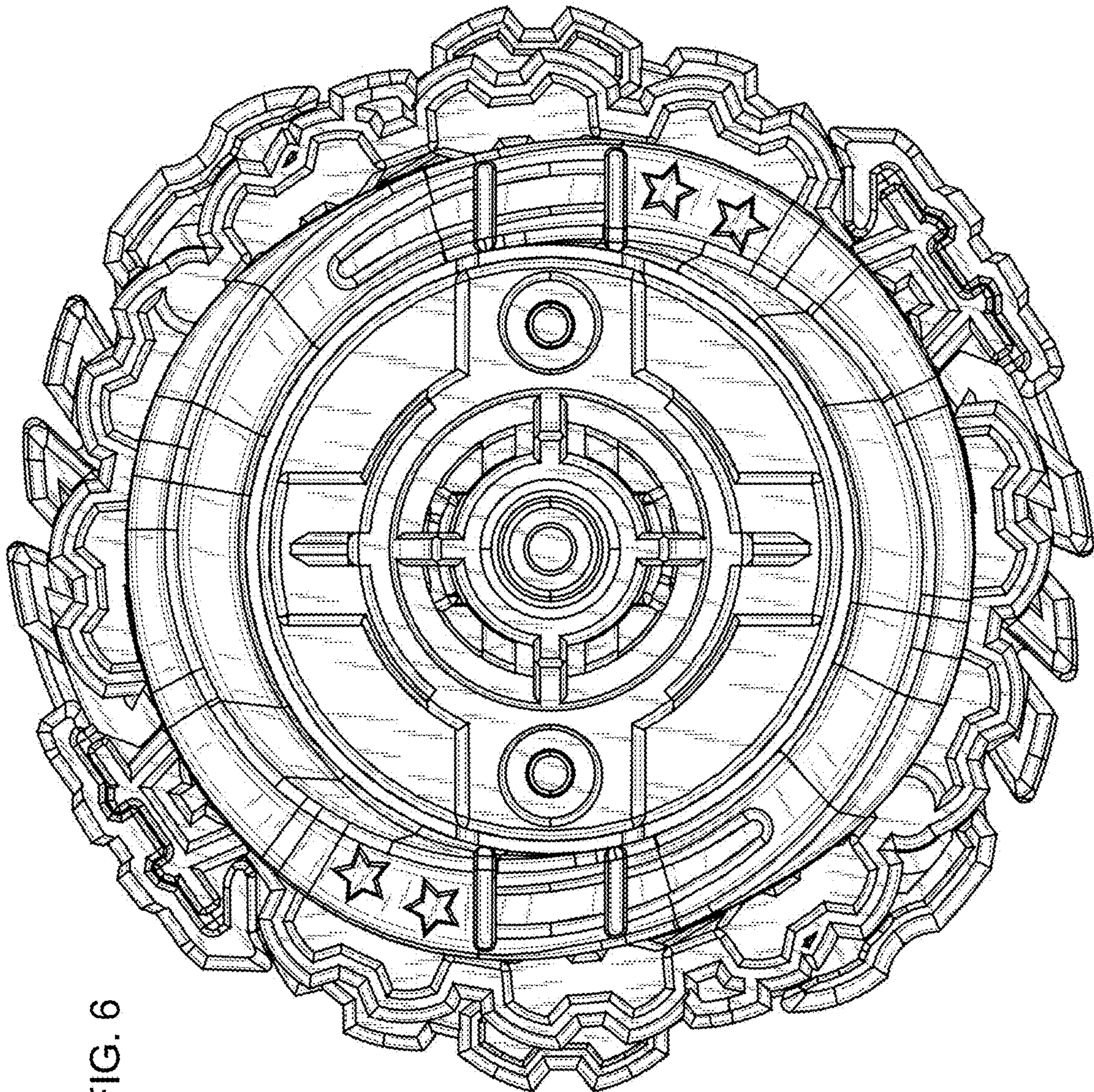


FIG. 6

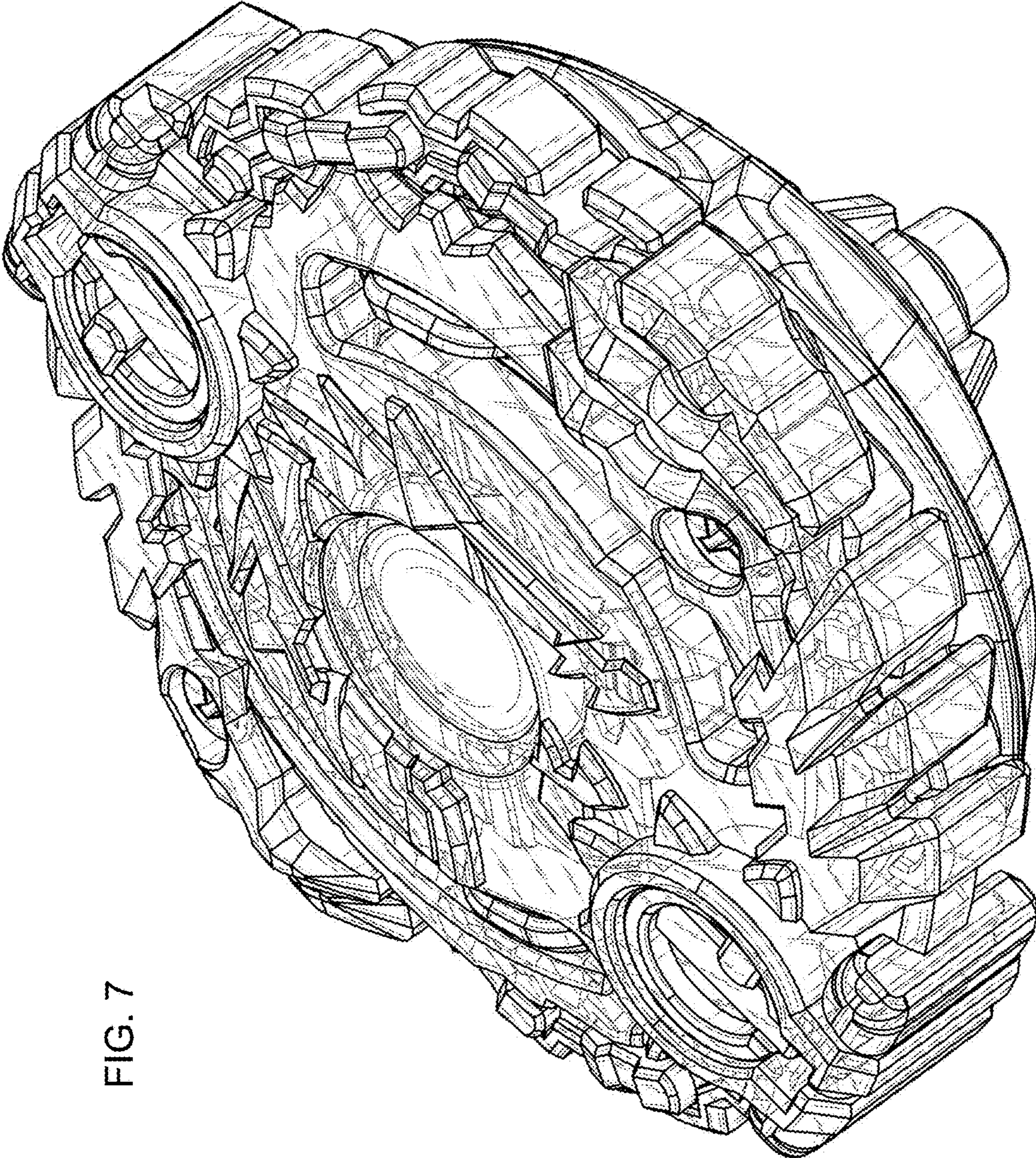


FIG. 7

FIG. 8

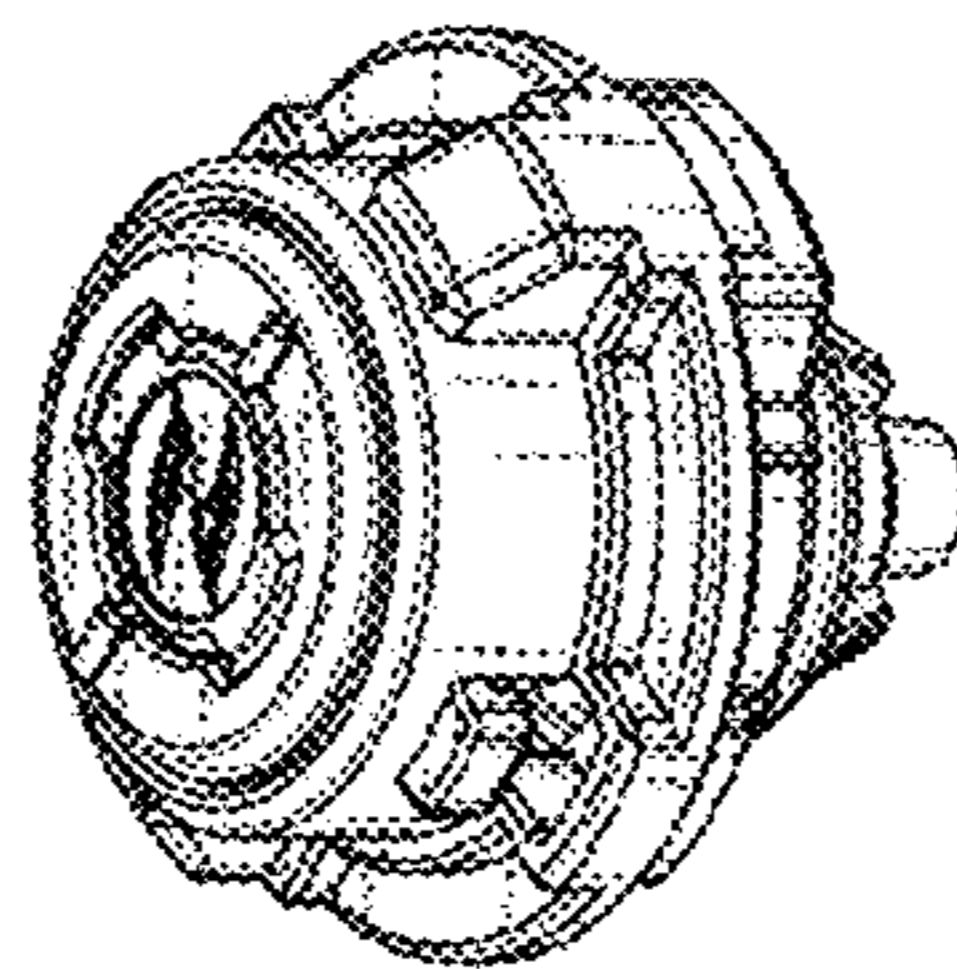
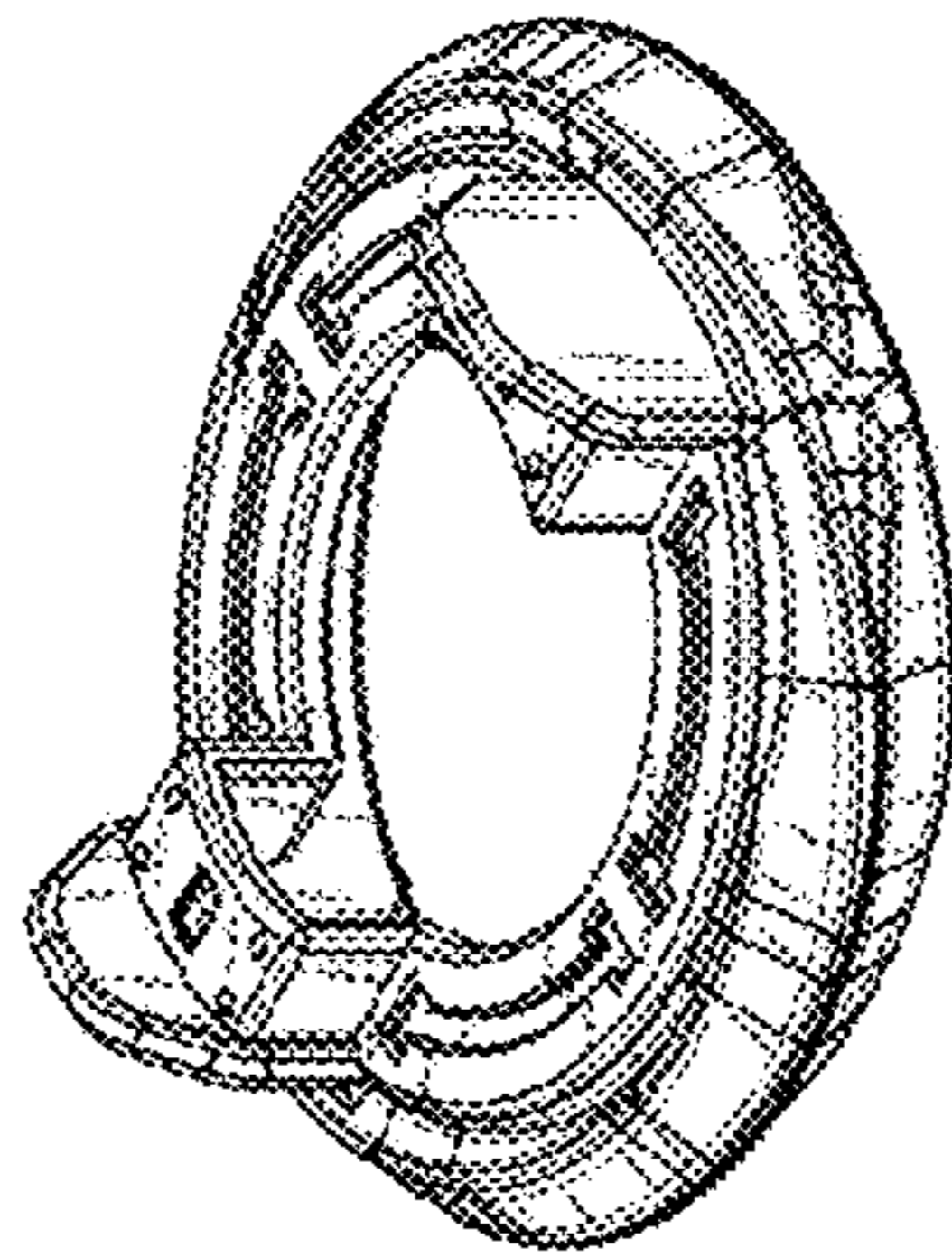
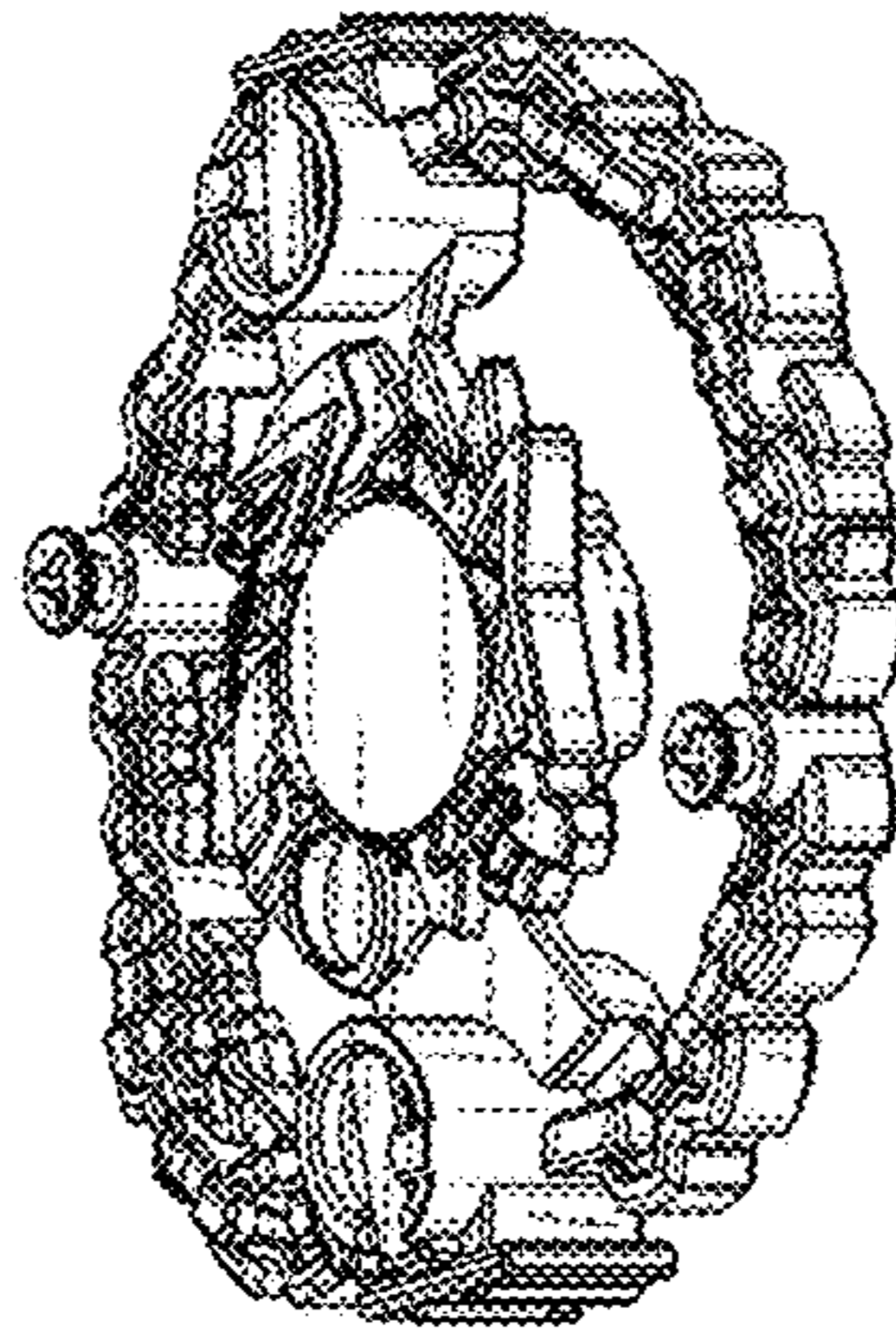
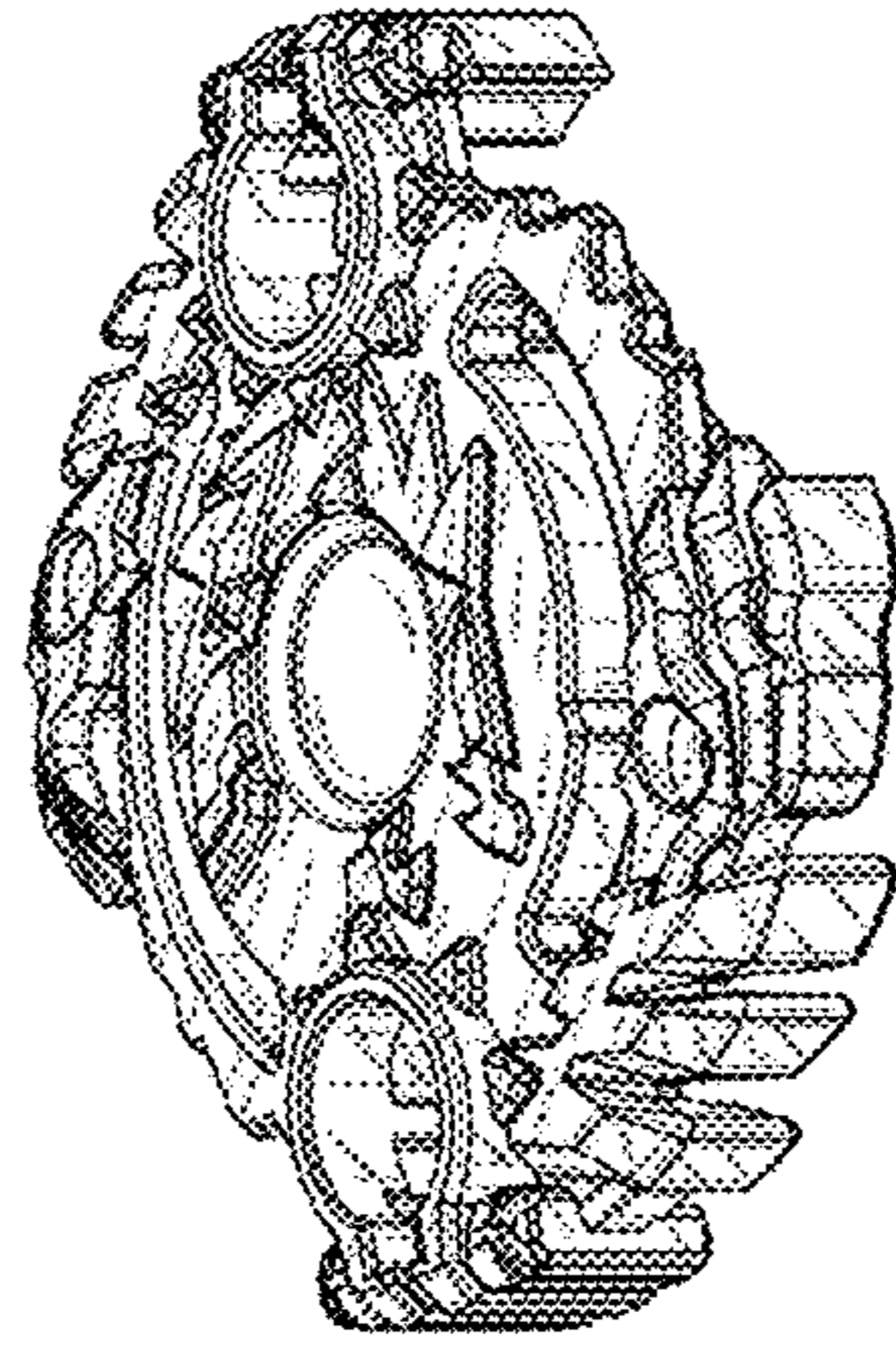


FIG. 9

