



US00D851706S

(12) **United States Design Patent**
Patterson et al.

(10) **Patent No.:** **US D851,706 S**
(45) **Date of Patent:** **** Jun. 18, 2019**

(54) **GAMING SURFACE**

(71) Applicant: **Yocha Dehe Wintun Nation**, Brooks, CA (US)

(72) Inventors: **Ray Patterson**, Sacramento, CA (US);
William Harland, Henderson, NV (US)

(73) Assignee: **YOCA DEHE WINTUN NATION**, Brooks, CA (US)

(**) Term: **15 Years**

(21) Appl. No.: **29/599,513**

(22) Filed: **Apr. 4, 2017**

Related U.S. Application Data

(63) Continuation of application No. 14/845,614, filed on Sep. 4, 2015, now abandoned.

(60) Provisional application No. 62/046,605, filed on Sep. 5, 2014.

(51) **LOC (11) Cl.** **21-01**

(52) **U.S. Cl.**
USPC **D21/397**

(58) **Field of Classification Search**
USPC D21/354, 369, 372, 397
See application file for complete search history.

(56) **References Cited**

U.S. PATENT DOCUMENTS

4,746,126 A 5/1988 Angileri
5,431,407 A 7/1995 Hofberg et al.
5,513,851 A 5/1996 Harris
D409,253 S * 5/1999 Zeck D21/369

6,176,489 B1 1/2001 Astaneha
D454,375 S * 3/2002 Ryan D21/372
D501,230 S * 1/2005 Stasi D21/354
D696,358 S * 12/2013 Brodrick D21/372
D795,965 S * 8/2017 Wolff D21/397
D815,213 S * 4/2018 Yee D21/397

* cited by examiner

Primary Examiner — George D. Kirschbaum

(74) *Attorney, Agent, or Firm* — Dentons US LLP

(57) **CLAIM**

The ornamental design for a gaming surface, as shown and described.

DESCRIPTION

A portion of the disclosure of this patent document contains material which is subject to copyright protection. The copyright owner has no objection to the facsimile reproduction by anyone of the patent document or patent disclosure, as it appears in the Patent and Trademark Office patent file or records, but otherwise reserves all copyright rights whatsoever.

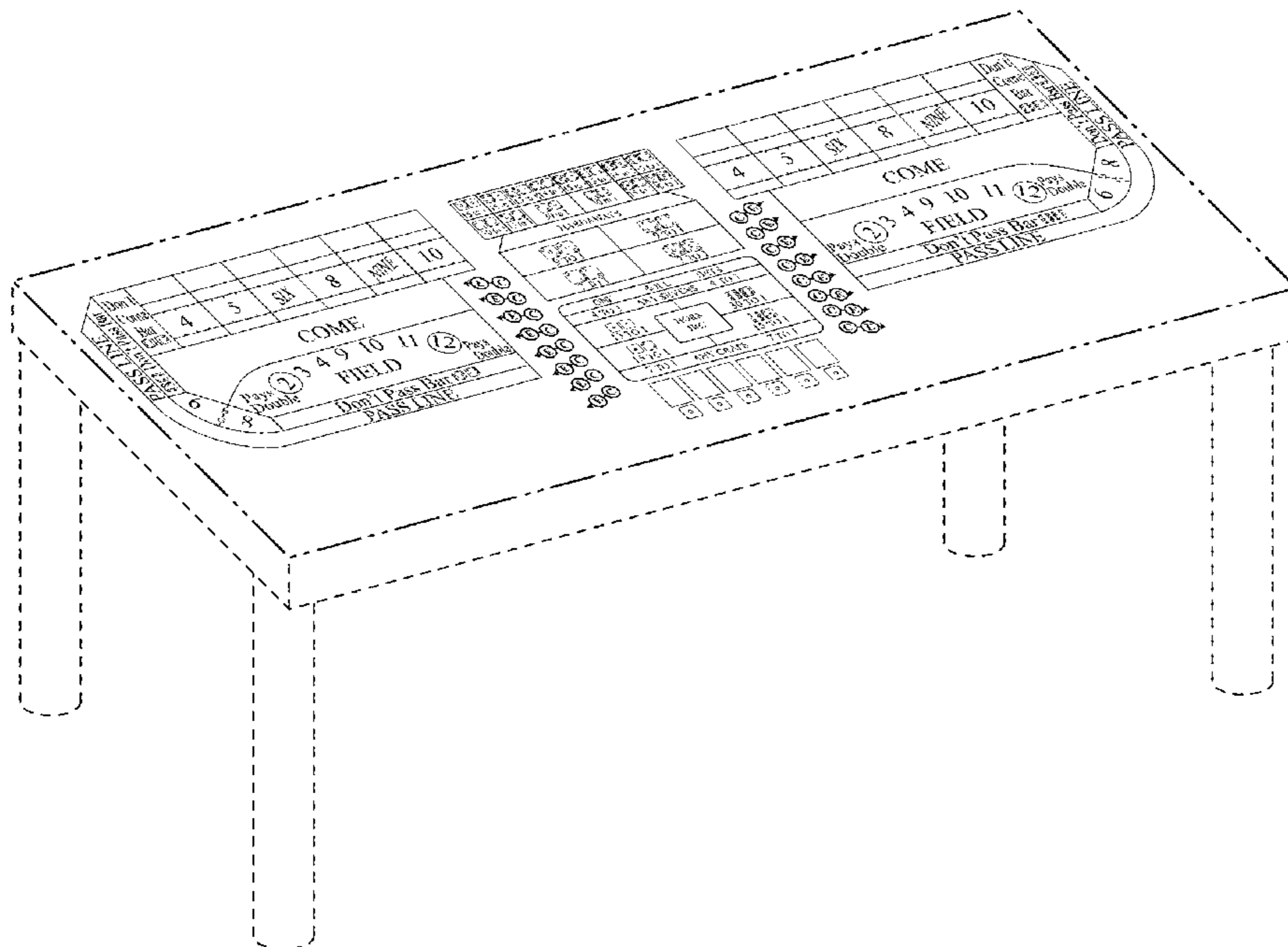
FIG. 1 illustrates a gaming surface in plan view.

FIG. 2 illustrates in greater detail a central portion of the gaming surface of FIG. 1; and,

FIG. 3 illustrates in perspective a table with the gaming surface of FIG. 1.

The dash-dot-dot-dash broken lines represent the boundaries of the claimed design. The evenly spaced broken line showing of a table is included for the purpose of illustrating portions of an “article” and forms no part of the claimed design.

1 Claim, 3 Drawing Sheets



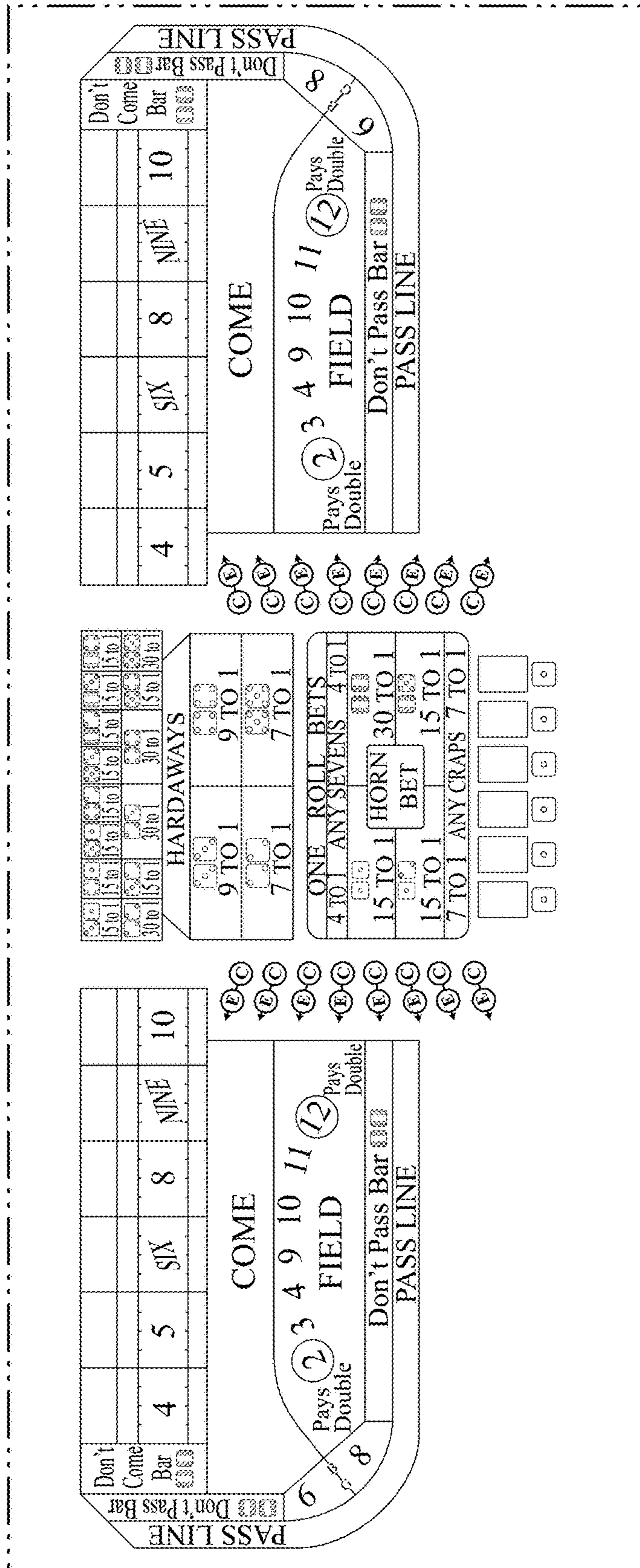


FIG. 1

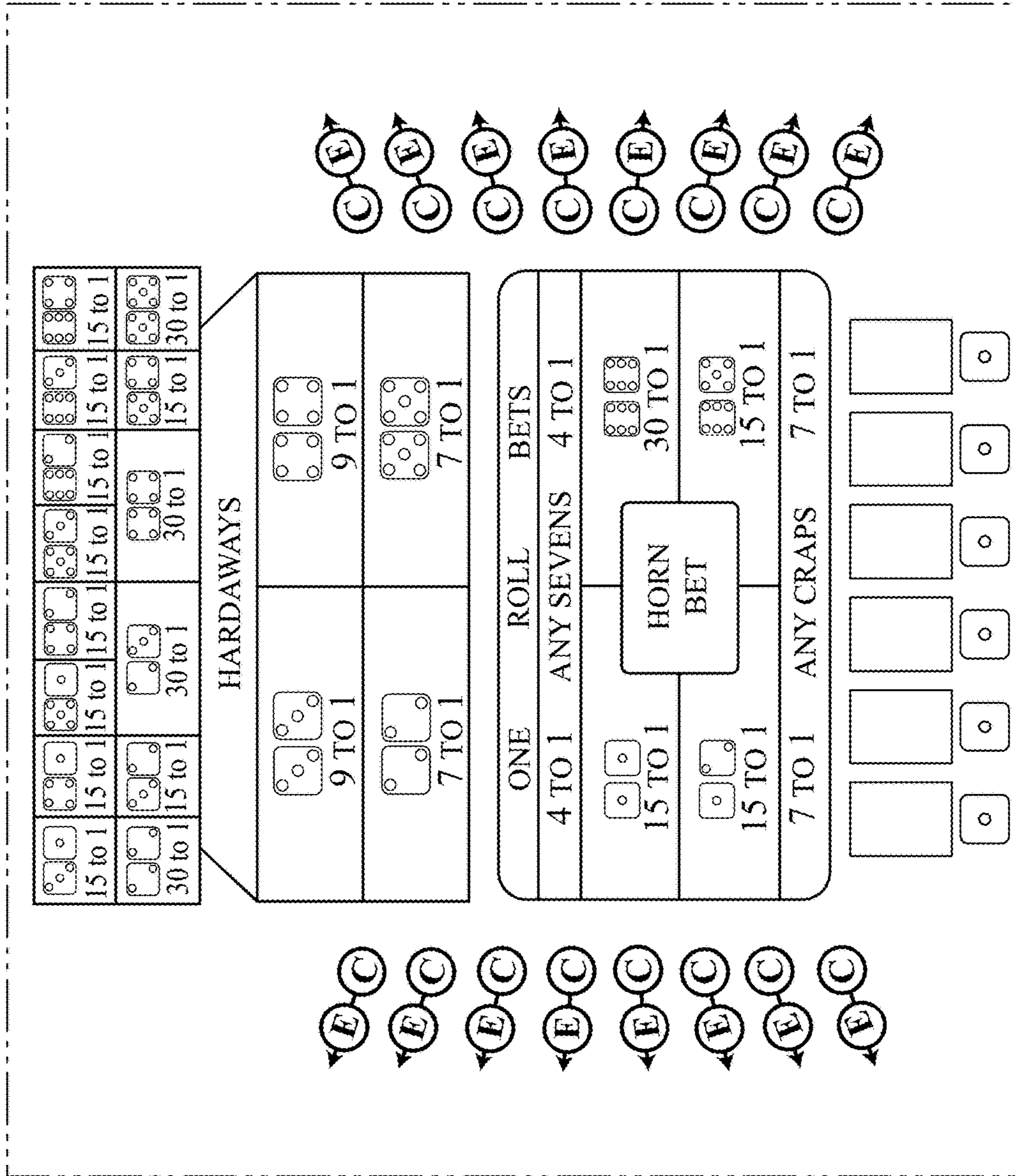


FIG. 2

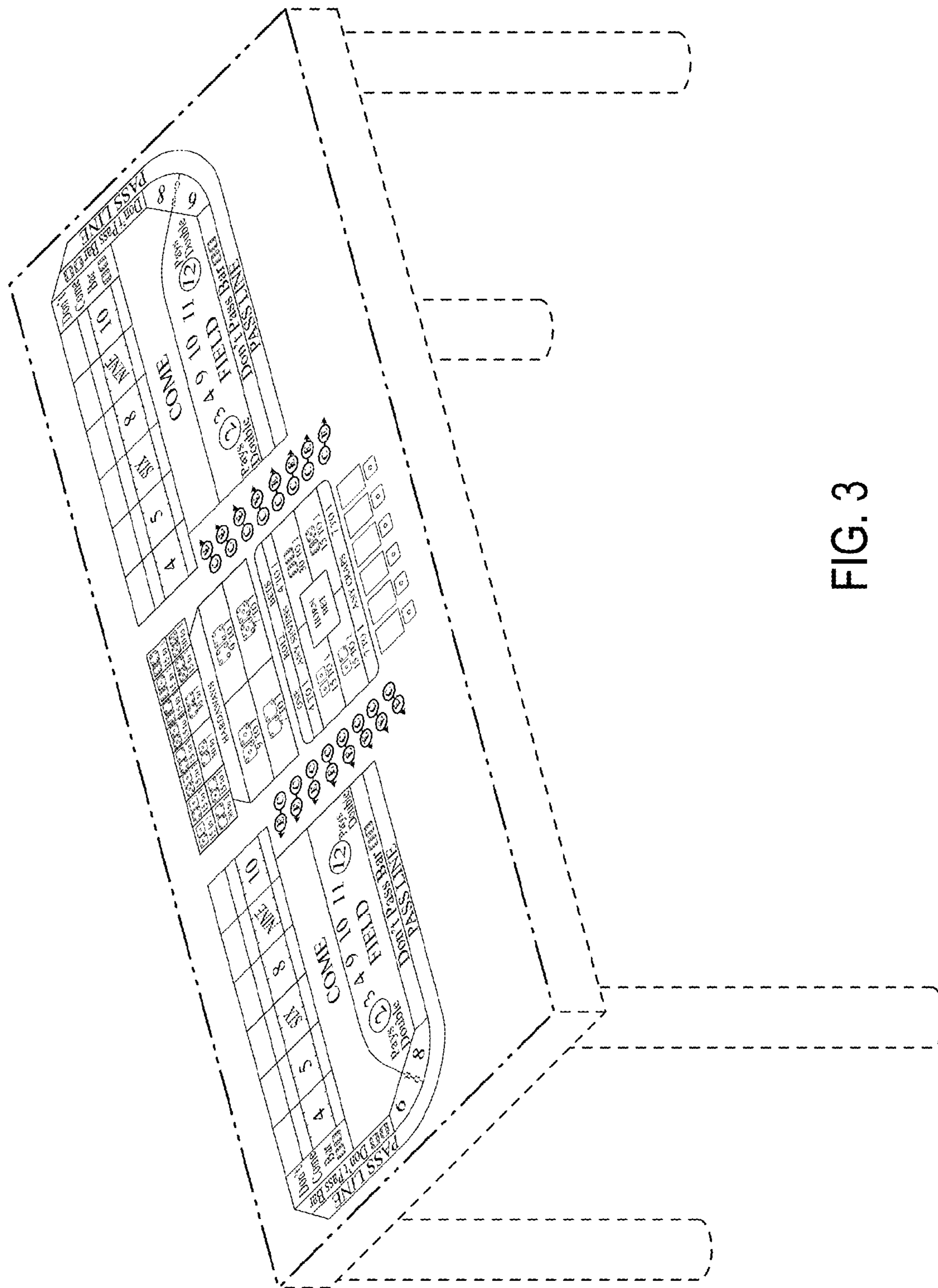


FIG. 3