



US00D851705S

(12) **United States Design Patent** (10) **Patent No.:** **US D851,705 S**
Steelman et al. (45) **Date of Patent:** **** Jun. 18, 2019**

(54) **GAMING STATION**
(71) Applicant: **Competition Interactive LLC**, Las Vegas, NV (US)
(72) Inventors: **Paul Steelman**, Las Vegas, NV (US); **Keith Winters**, Las Vegas, NV (US); **Matthew Mahaney**, Henderson, NV (US)
(73) Assignee: **Competition Interactive LLC**, Las Vegas, NV (US)
(**) Term: **15 Years**
(21) Appl. No.: **29/619,857**
(22) Filed: **Oct. 2, 2017**
(51) **LOC (11) Cl.** **21-03**
(52) **U.S. Cl.**
USPC **D21/369**
(58) **Field of Classification Search**
USPC 463/1, 28, 29, 30, 31, 32, 33, 34, 35, 46, 463/47; D14/125, 126, 133, 203.7, 203.8, D14/217, 300, 301, 302, 305; D21/324, D21/325, 329, 369, 370, 371
CPC ... G07F 17/3202; G07F 17/3209; A63F 1/067
See application file for complete search history.

D622,781 S 8/2010 Lesley et al.
D626,182 S * 10/2010 Cole D21/369
D633,950 S * 3/2011 Terpstra D21/369
D646,336 S * 10/2011 Kelly D21/329
D646,337 S * 10/2011 Kelly D21/329
D674,023 S * 1/2013 Seelig D21/369
8,439,761 B2 5/2013 O'Keene et al.

(Continued)

OTHER PUBLICATIONS

Competition Interactive, "Driver XB", Jan. 9, 2019. https://www.competitioninteractive.com/pdf/g2e_2018.pdf. Shown on p. 1. (Year: 2019).*

Primary Examiner — Cynthia Ramirez
Assistant Examiner — Michael A Maharajh
(74) *Attorney, Agent, or Firm* — Durham Jones & Pinegar, P.C., Intellectual Property Law Group

(57) **CLAIM**

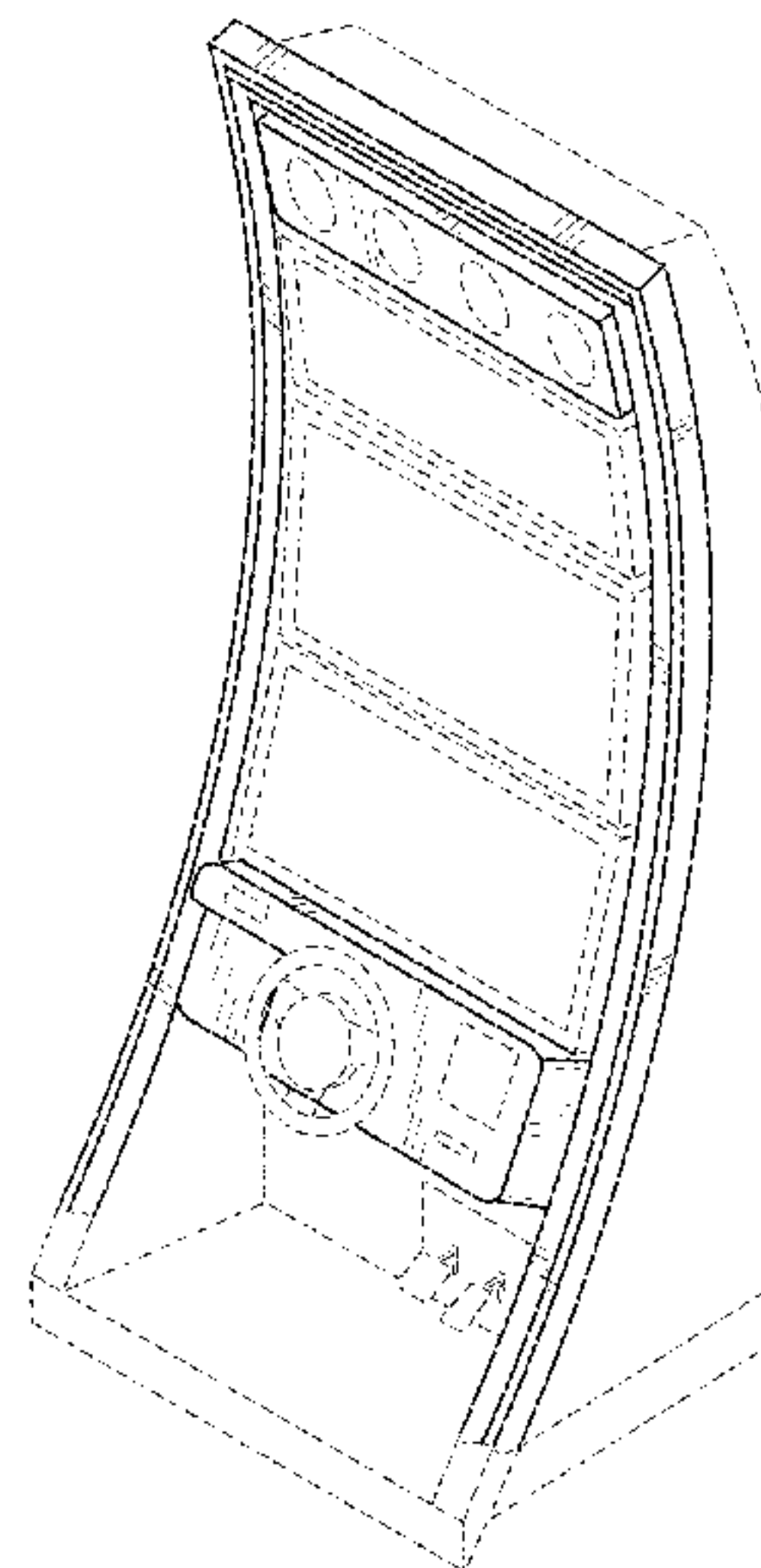
The ornamental design for a gaming station, as shown and described.

DESCRIPTION

FIG. 1 is a perspective view of a gaming station showing our new design;
FIG. 2 is a front elevational view thereof;
FIG. 3 is a rear elevational view thereof;
FIG. 4 is a left side elevational view thereof;
FIG. 5 is a right side elevational view thereof;
FIG. 6 is a top plan view thereof;
FIG. 7 is a bottom plan view thereof; and,
FIG. 8 is a perspective view thereof.
The broken lines in the drawings are for the purposes of illustrating portions of the gaming station, which form no part of the claimed design. The additional broken lines shown in FIG. 8 are for the purposes of illustrating environmental structure, which form no part of the claimed design.

1 Claim, 3 Drawing Sheets

(56) **References Cited**
U.S. PATENT DOCUMENTS
4,850,591 A 7/1989 Takezawa et al.
5,813,914 A 9/1998 McKay et al.
6,334,612 B1 1/2002 Wurz et al.
D481,078 S * 10/2003 Stephan D21/369
D508,961 S * 8/2005 Gatto D21/325
D535,338 S * 1/2007 Linard D21/369
D548,287 S 8/2007 Yamanaka et al.
D570,922 S 6/2008 Reetz
D604,368 S * 11/2009 Lesley D21/370
D613,802 S 4/2010 Meyers et al.
D622,323 S * 8/2010 De Viveiros Ortiz D21/325



(56)

References Cited

U.S. PATENT DOCUMENTS

D684,216	S *	6/2013	Terpstra	D21/370
D685,033	S *	6/2013	Wudtke	D21/370
D673,621	S	9/2013	Johnson et al.	
D697,558	S	1/2014	Myers et al.	
D706,741	S	6/2014	Myers	
D712,975	S	9/2014	Lesley et al.	
D714,875	S	10/2014	Wudtke et al.	
D715,364	S	10/2014	Wudtke et al.	
D719,615	S *	12/2014	Inoue	D21/370
D719,616	S *	12/2014	Inoue	D21/370
D719,617	S	12/2014	Inoue	
D740,887	S *	10/2015	Randazzo	D21/370
RE46,169	E	10/2016	Kelly et al.	
D802,675	S *	11/2017	Steelman	D21/325
D802,676	S *	11/2017	Steelman	D21/326
D812,146	S *	3/2018	Castro	D21/369
D812,147	S *	3/2018	Castro	D21/369
D812,148	S *	3/2018	Castro	D21/369
D812,149	S *	3/2018	Castro	D21/369
D819,747	S *	6/2018	Castro	D21/369
D820,915	S *	6/2018	Lee	D21/369
D832,355	S *	10/2018	Castro	D21/369
D832,356	S *	10/2018	Castro	D21/369
D836,164	S *	12/2018	Castro	D21/369
2016/0093142	A1 *	3/2016	Lamb	G07F 17/3213 463/20
2016/0093143	A1 *	3/2016	Lamb	G07F 17/3213 463/20
2018/0040203	A1 *	2/2018	Winters	G07F 17/3295
2018/0082545	A1 *	3/2018	Winters	G07F 17/3295

* cited by examiner

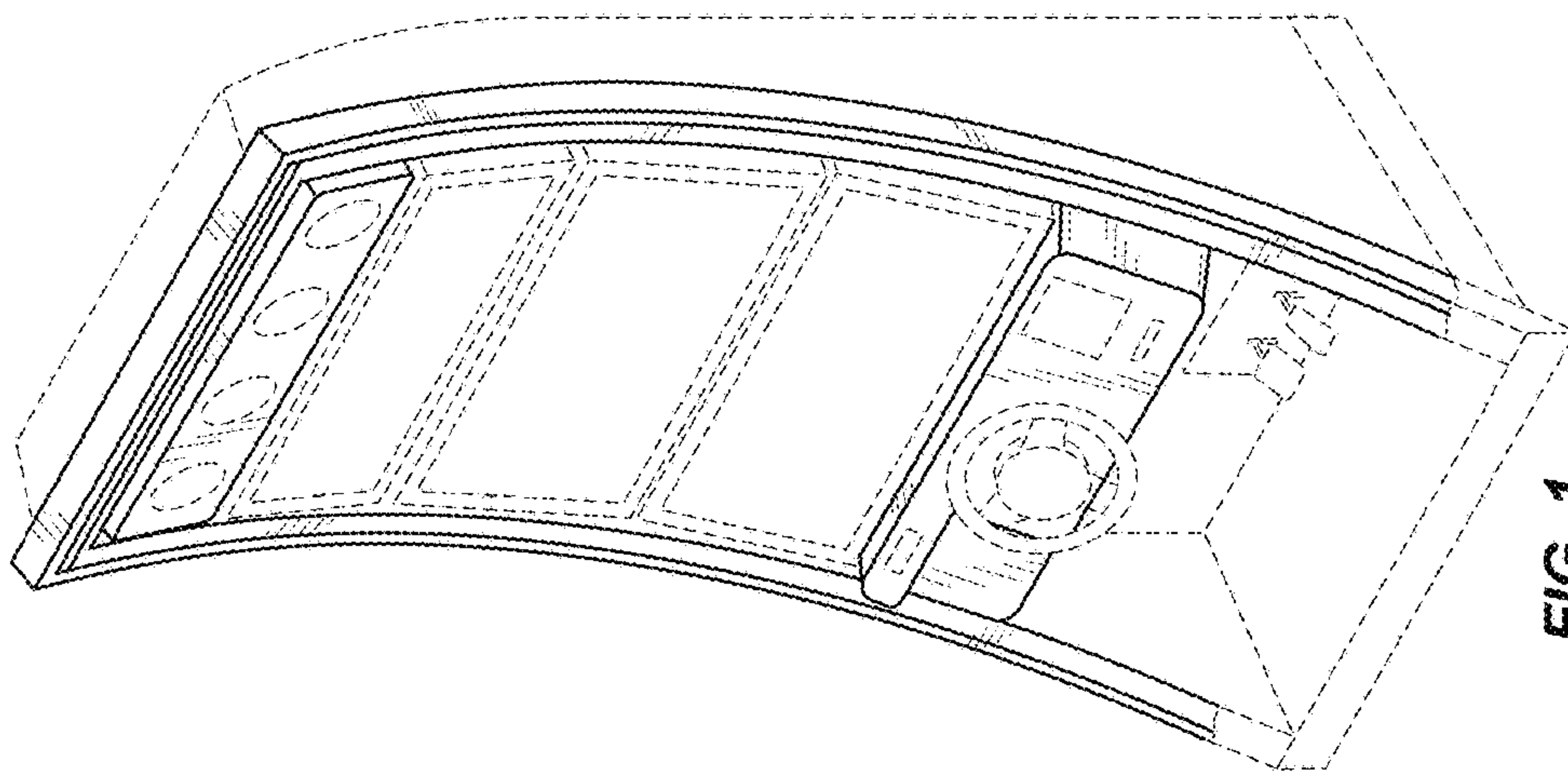


FIG. 1

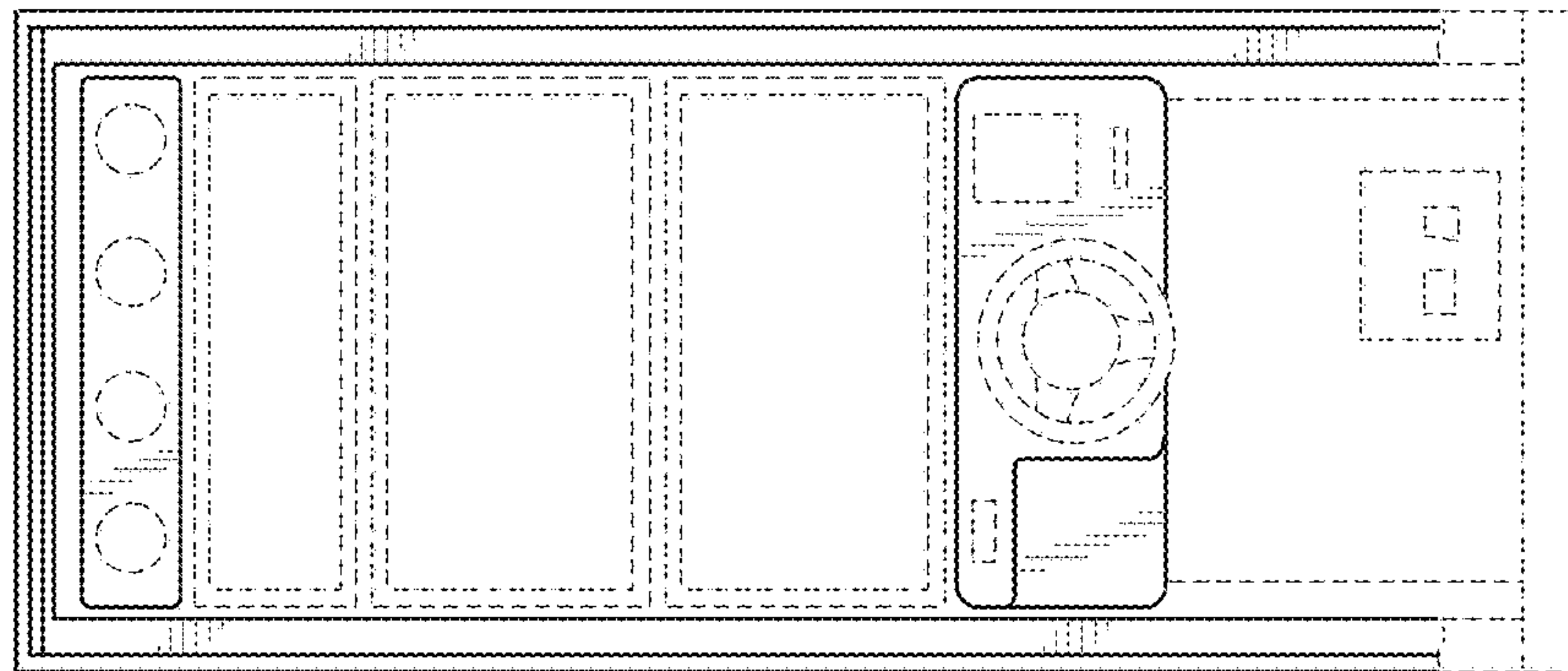


FIG. 2

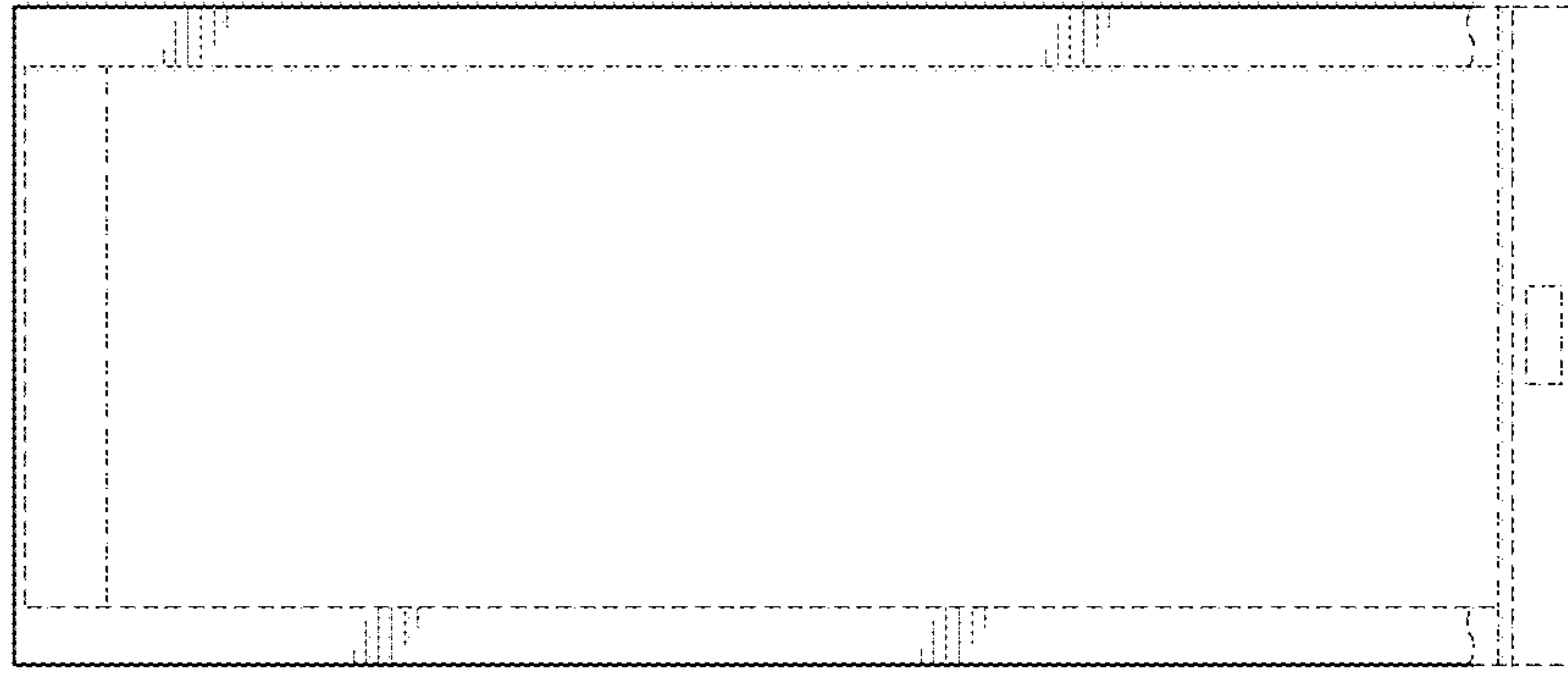


FIG. 3

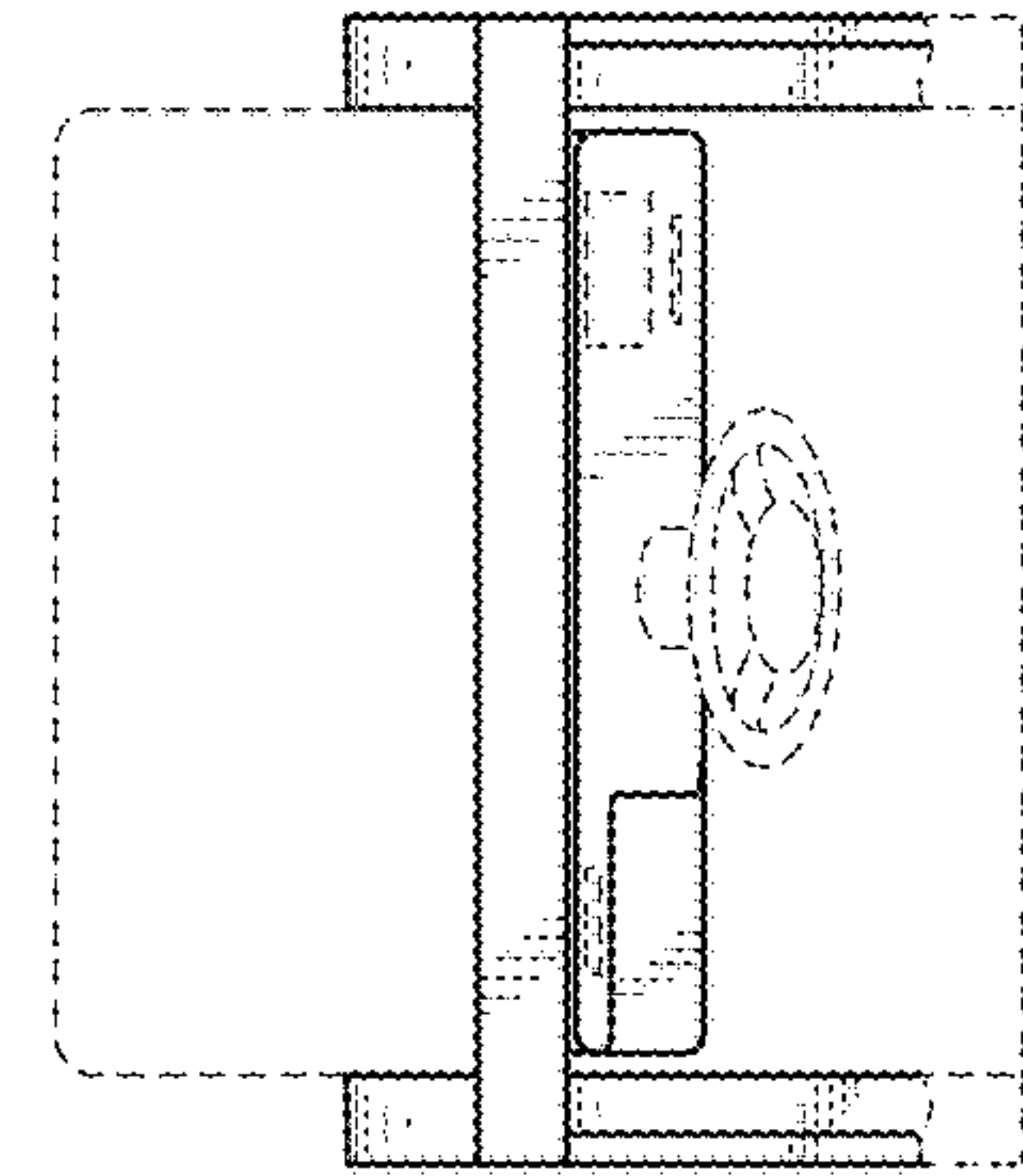


FIG. 6

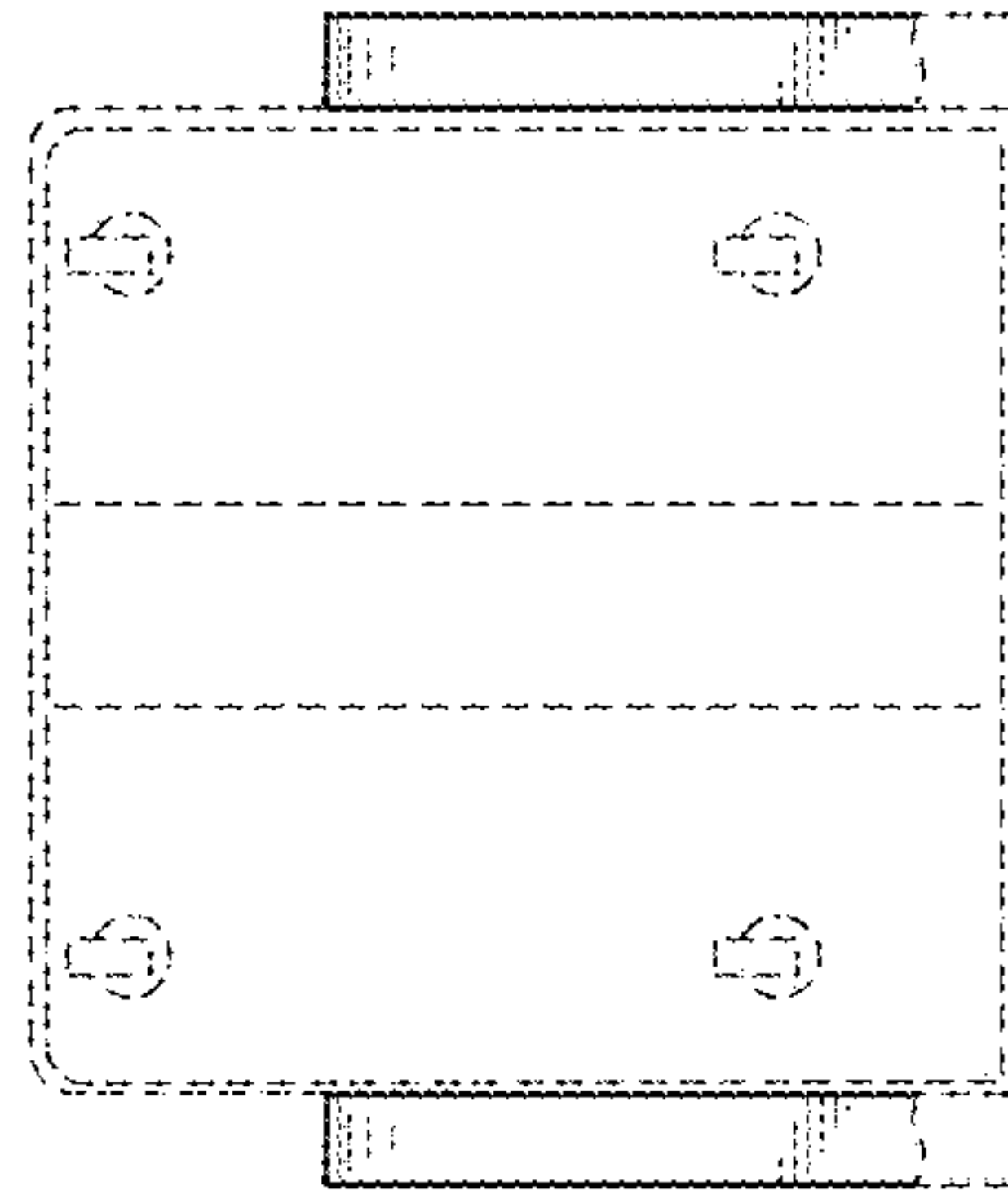


FIG. 7

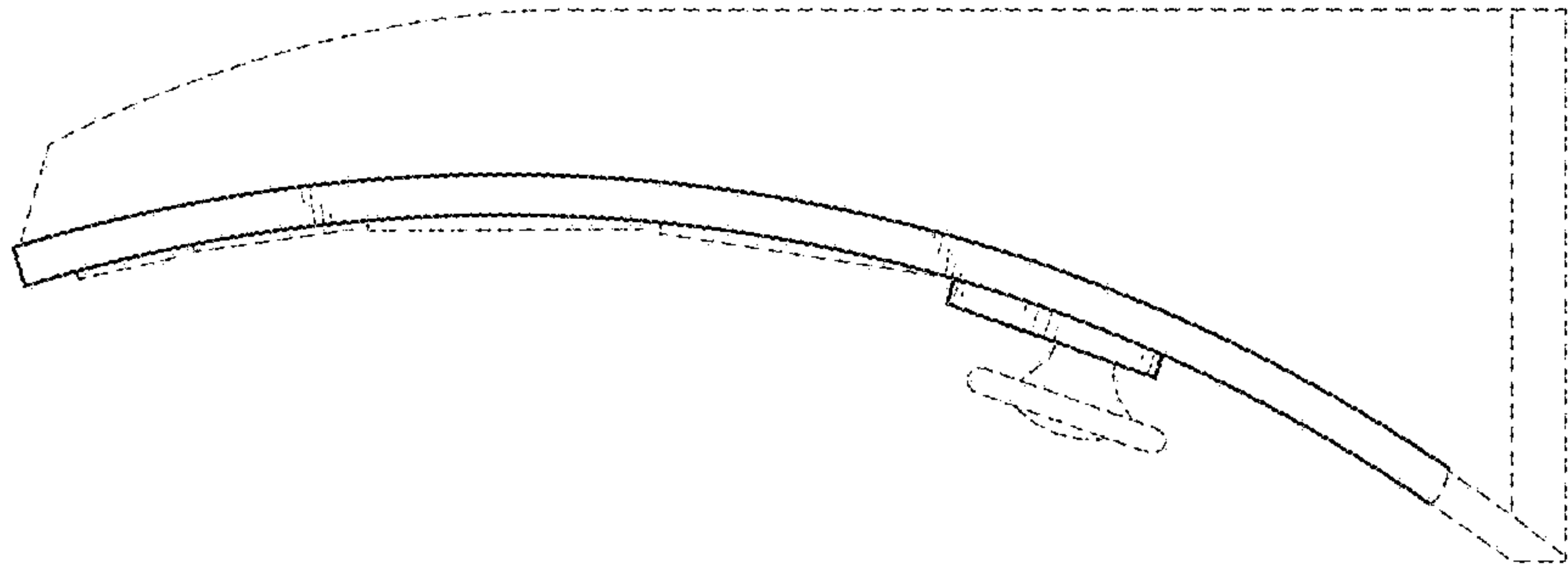


FIG. 5

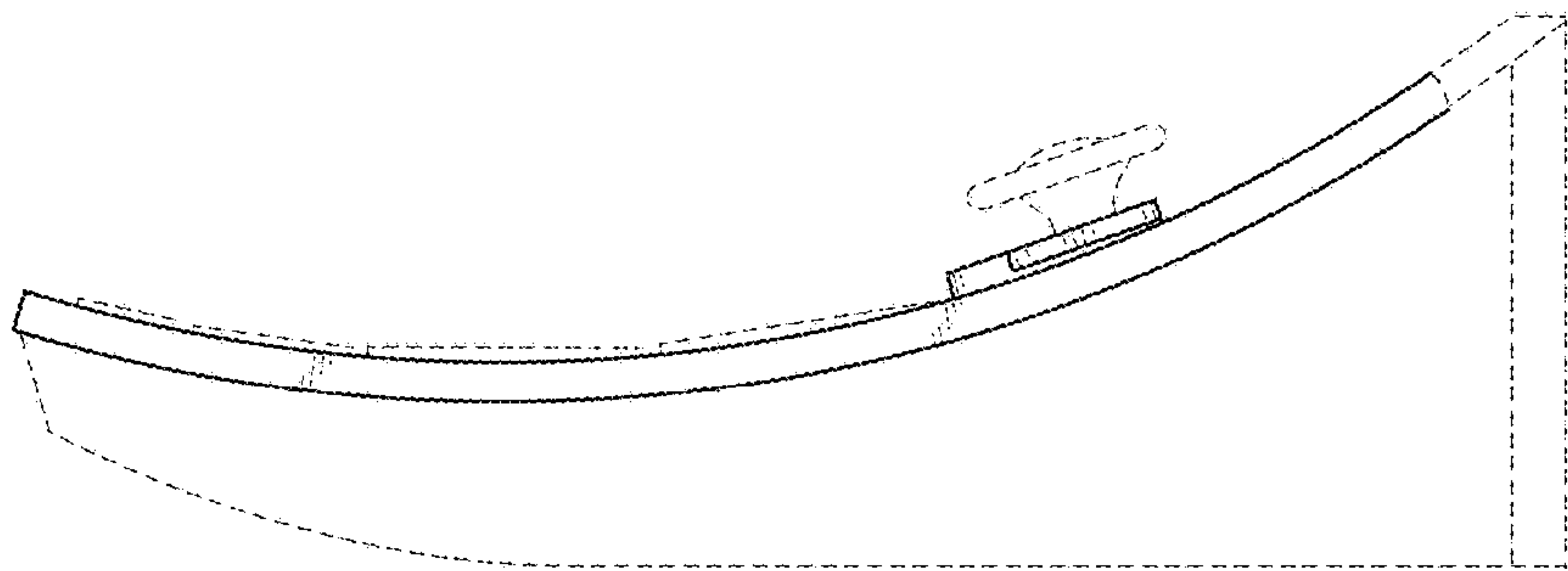


FIG. 4

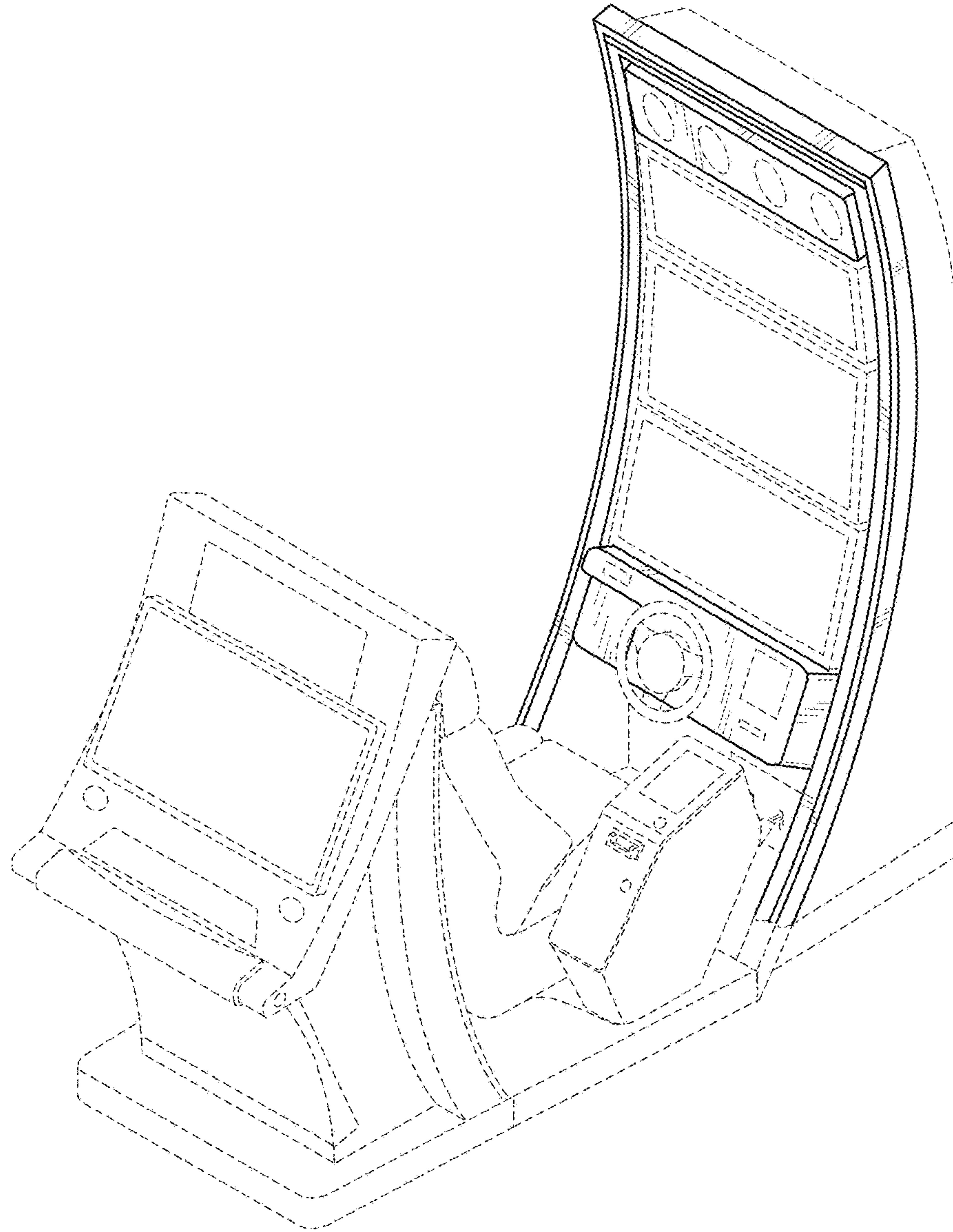


FIG. 8