



US00D851704S

(12) **United States Design Patent** (10) **Patent No.:** **US D851,704 S**
Vadenne (45) **Date of Patent:** **** Jun. 18, 2019**

(54) **CAP FOR WRITING INSTRUMENT**

(71) Applicant: **Societe BIC**, Clichy (FR)
(72) Inventor: **Franck Vadenne**, Bezons (FR)
(73) Assignee: **Societe BIC**, Clichy (FR)
(**) Term: **15 Years**

6,409,407 B1 * 6/2002 Schweizer B43K 19/00
362/118
D474,240 S * 5/2003 Alderson D19/186
D605,694 S * 12/2009 Zhang D19/117
D610,615 S * 2/2010 Li D19/173
D659,141 S * 5/2012 Watson D14/411
D667,878 S * 9/2012 Xie D19/163
D671,167 S * 11/2012 Nichols D19/102
D686,619 S * 7/2013 Liu D14/411
D744,038 S * 11/2015 Wang D19/182

* cited by examiner

(21) Appl. No.: **29/613,311**

(22) Filed: **Aug. 9, 2017**

(51) **LOC (11) Cl.** **19-06**

(52) **U.S. Cl.**
USPC **D19/195; D19/928**

(58) **Field of Classification Search**
USPC D14/411; D19/115–204
CPC . B43K 5/005; B43K 7/12; B43K 8/04; B43K
8/06; B43K 19/00; B43K 19/02; B43K
19/14; B43K 21/006; B43K 21/06
See application file for complete search history.

Primary Examiner — Elizabeth A. Albert
(74) *Attorney, Agent, or Firm* — The H.T. Than Law
Group

(57) **CLAIM**

The ornamental design for cap for writing instrument, as shown and described.

DESCRIPTION

FIG. 1 is a front perspective view of an ornamental design of a cap for writing instrument according to the present invention;

FIG. 2 is a left side plan view thereof;

FIG. 3 is a right side plan view thereof;

FIG. 4 is a back side view thereof;

FIG. 5 is a front side view thereof;

FIG. 6 is a top view thereof;

FIG. 7 is a bottom view; and,

FIG. 8 is another front perspective view thereof.

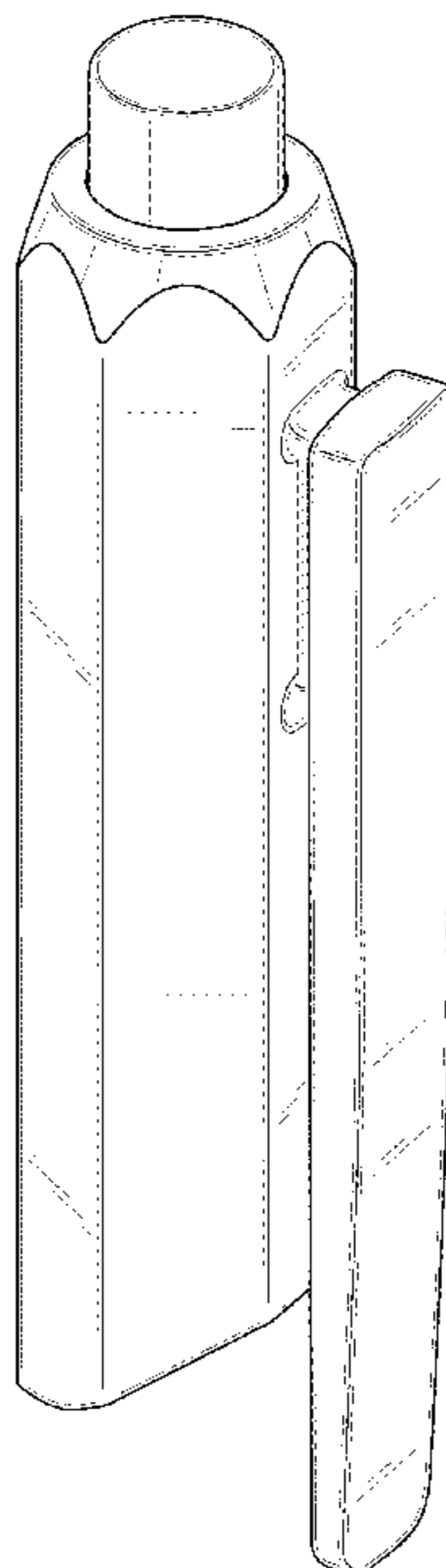
The broken lines in the drawings are included for the purpose of illustrating the environment of the design and portions of the article that form no part of the claimed design.

(56) **References Cited**

U.S. PATENT DOCUMENTS

D74,119 S * 12/1927 Nelson 426/104
D103,387 S * 3/1937 Chesler D19/901
2,332,258 A * 10/1943 Ponath B43K 21/04
401/93
2,502,435 A * 4/1950 Curtis B43K 23/06
401/88
2,765,551 A * 10/1956 Stanek B43K 21/006
40/334
D182,163 S * 2/1958 Carreiro D19/194
D182,216 S * 2/1958 Zierhut D19/195
D384,105 S * 9/1997 Robert D19/195
D405,826 S * 2/1999 Worther D19/169
D437,535 S * 2/2001 Boukhny D8/21

1 Claim, 5 Drawing Sheets



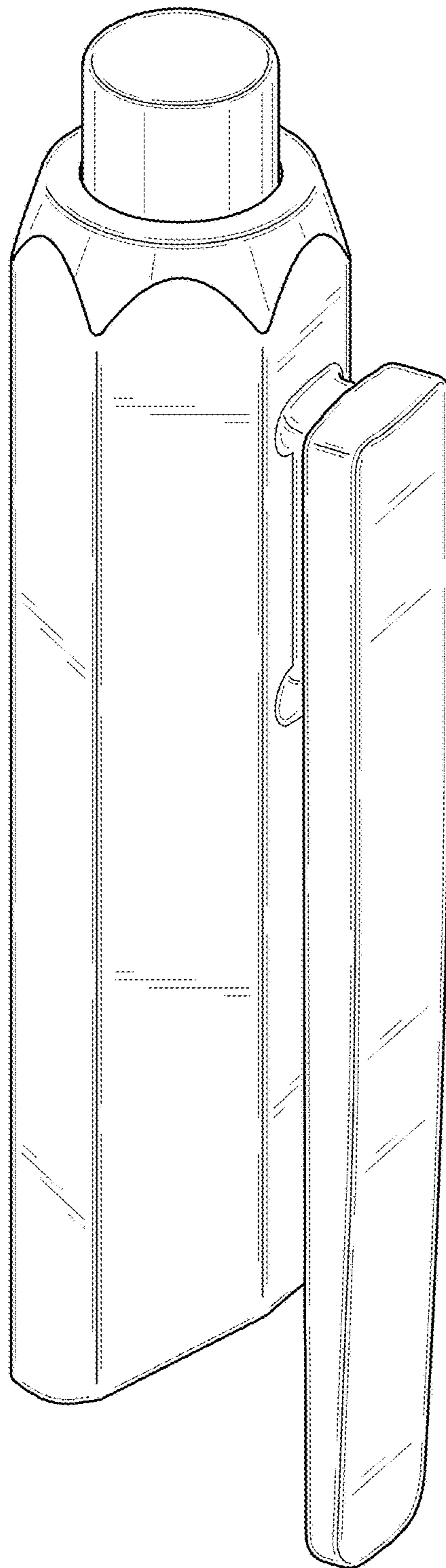


Fig. 1

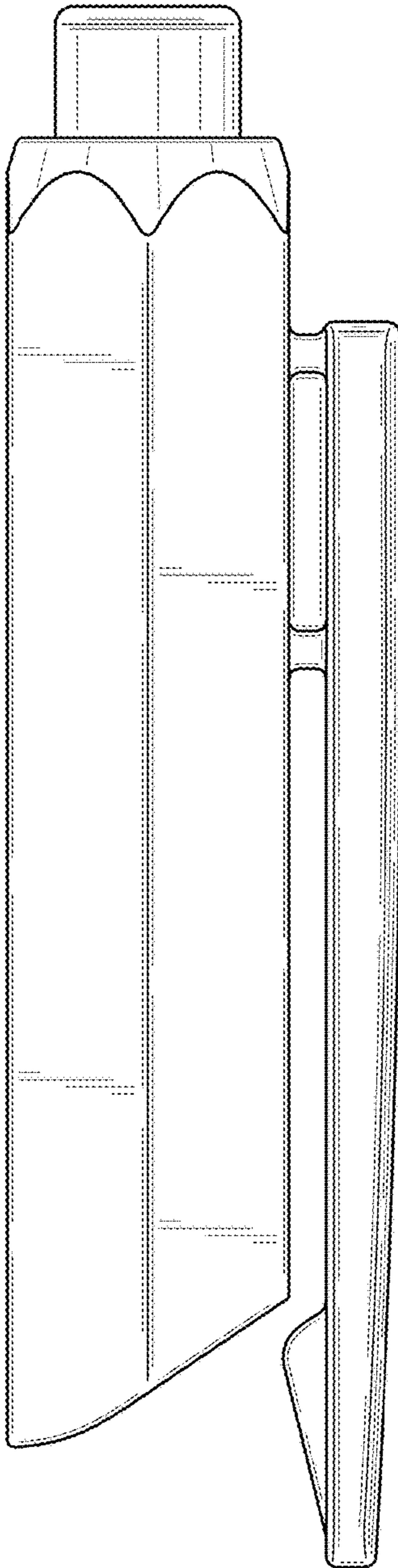


Fig. 2

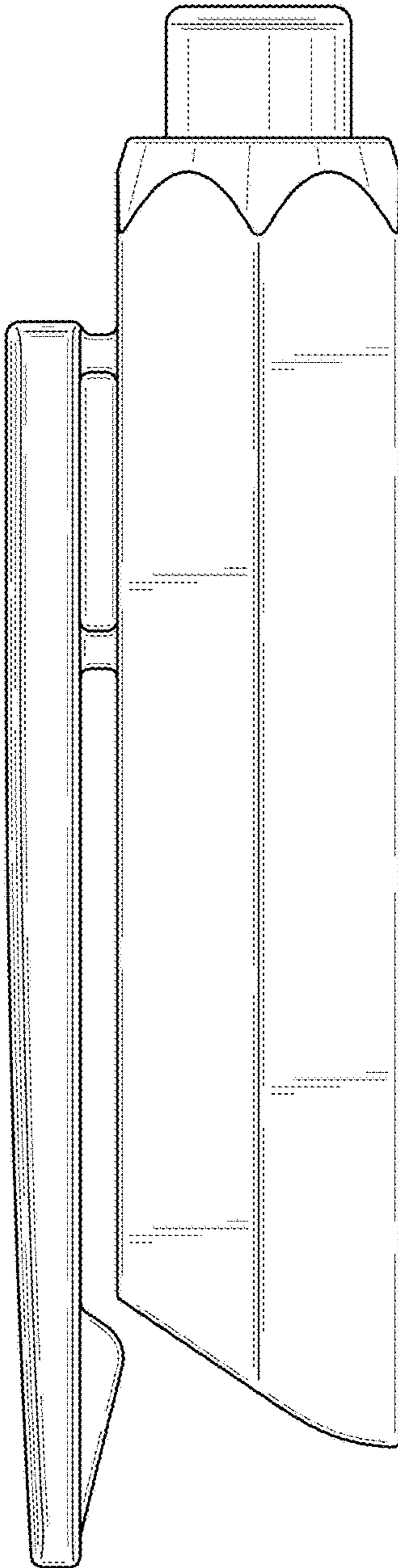


Fig. 3

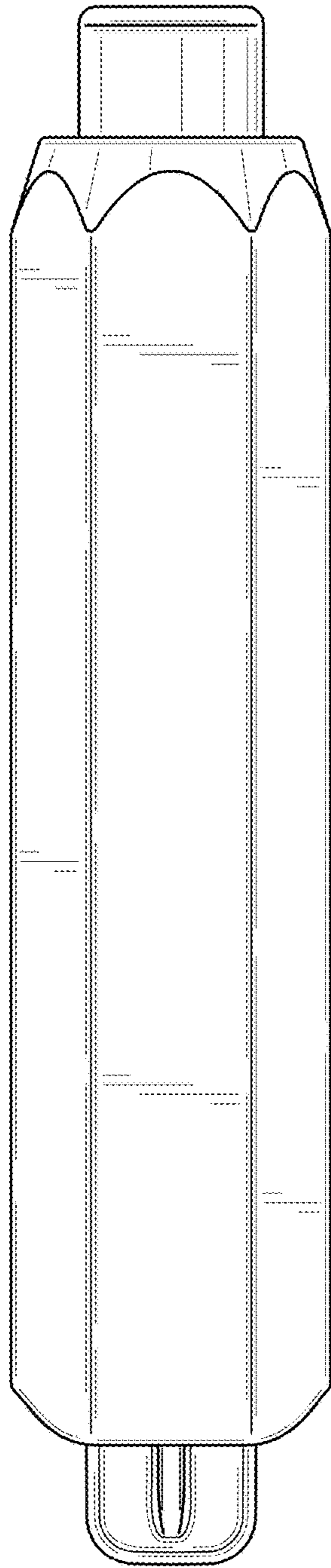


Fig. 4

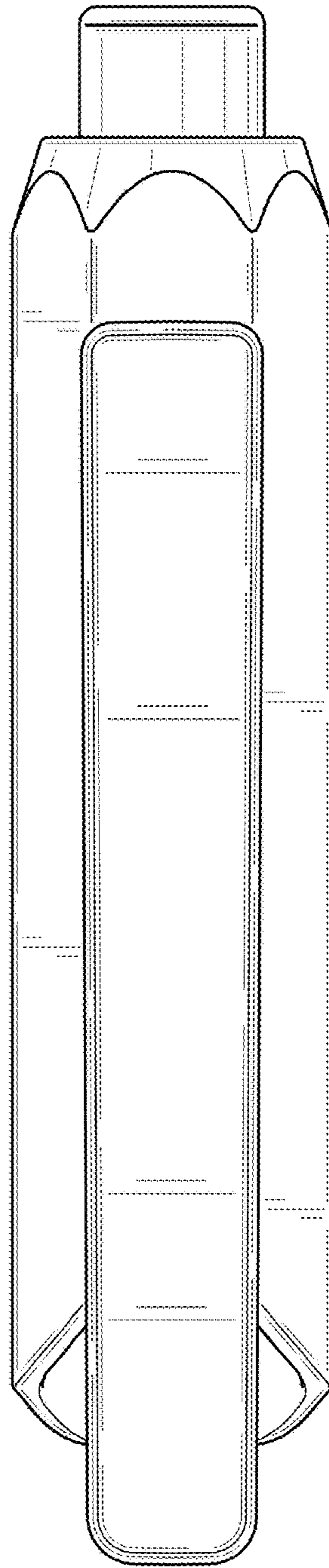


Fig. 5

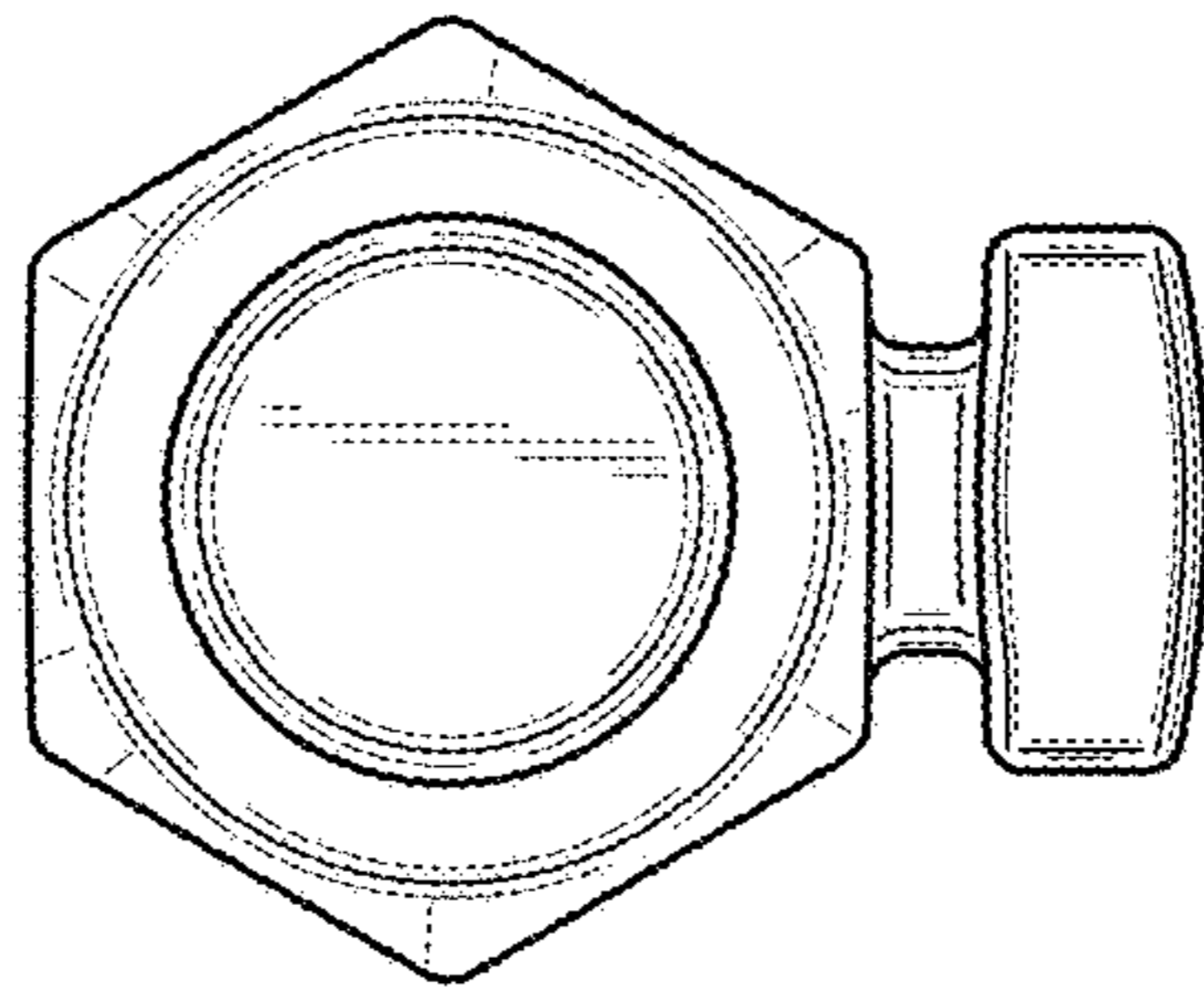


Fig. 6

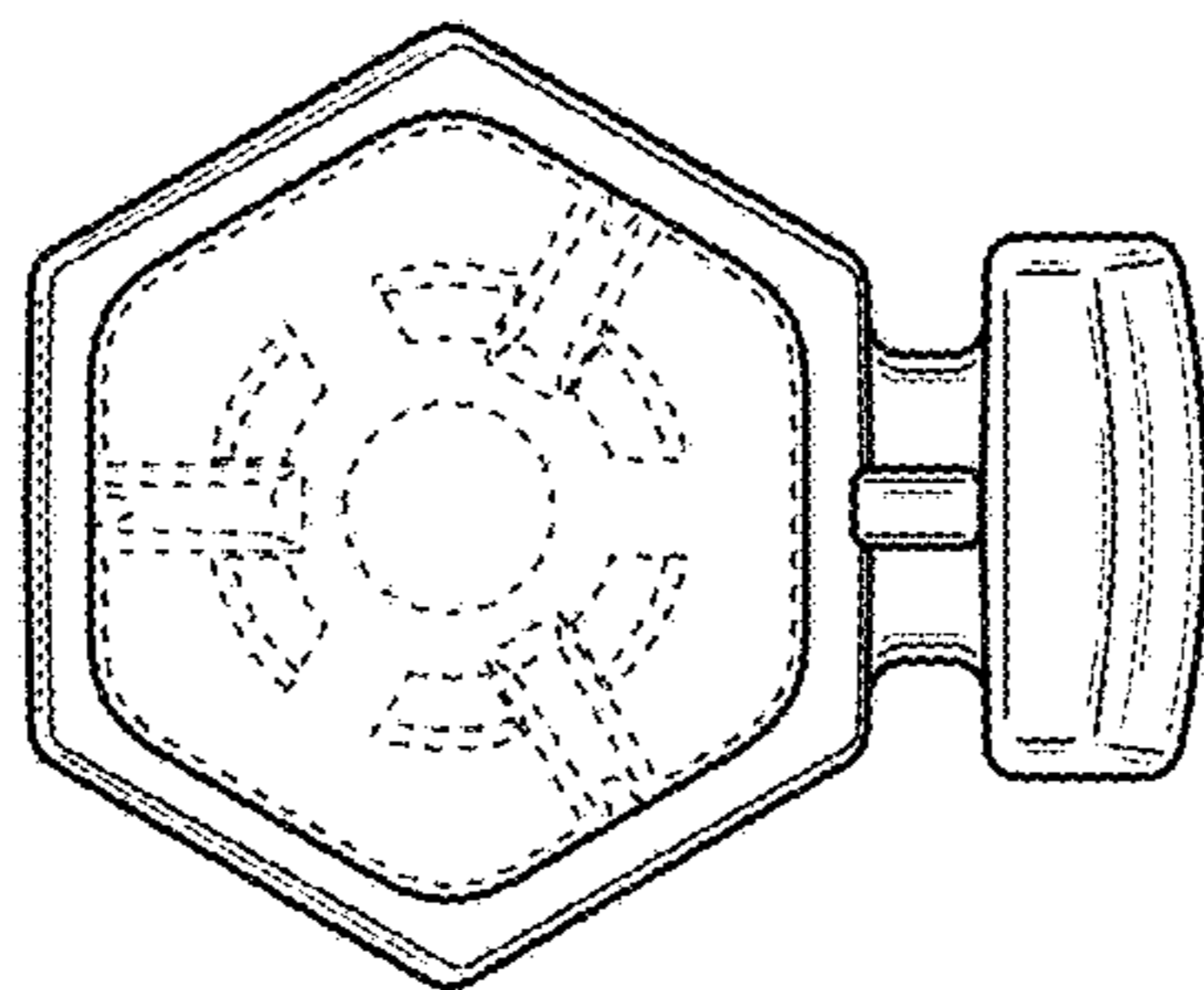


Fig. 7

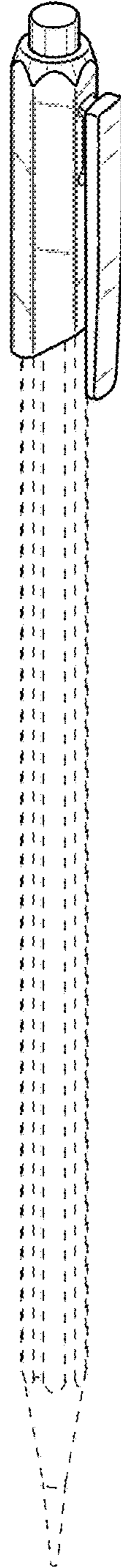


Fig. 8