



US00D851703S

(12) **United States Design Patent**  
**Hung**

(10) **Patent No.:** **US D851,703 S**

(45) **Date of Patent:** **\*\* Jun. 18, 2019**

- (54) **PEN**
- (71) Applicant: **Peter M. H. Hung**, Kowloon (HK)
- (72) Inventor: **Peter M. H. Hung**, Kowloon (HK)
- (73) Assignee: **Fulon Development Limited**, Kowloon (HK)
- (\*\*) Term: **15 Years**
- (21) Appl. No.: **29/615,533**
- (22) Filed: **Aug. 30, 2017**
- (51) **LOC (11) Cl.** ..... **19-06**
- (52) **U.S. Cl.**  
USPC ..... **D19/163**; D19/901; D19/926
- (58) **Field of Classification Search**  
USPC ..... D14/411; D19/115–204  
CPC . B43K 5/005; B43K 7/12; B43K 8/04; B43K 8/06; B43K 19/00; B43K 19/02; B43K 19/14; B43K 21/006; B43K 21/06  
See application file for complete search history.

D585,489 S *	1/2009	Han	.....	D19/117
7,758,267 B1 *	7/2010	Zhang	.....	A45D 40/18 401/52
7,774,963 B2 *	8/2010	Puglisi	.....	G09F 23/00 40/334
D654,626 S *	2/2012	Kolas	.....	D19/200
D656,545 S *	3/2012	Hung	.....	D19/117
D688,792 S *	8/2013	Guarraia	.....	D24/113
D689,927 S *	9/2013	Andre	.....	D19/163
8,668,655 B2 *	3/2014	Destoumieux	.....	A01K 11/003 600/564
D714,384 S *	9/2014	Tam	.....	D19/163
D737,375 S *	8/2015	Tam	.....	D19/118
D790,311 S *	6/2017	Tseng	.....	D8/86

(Continued)

Primary Examiner — Elizabeth A. Albert

(57) **CLAIM**

The ornamental design for a pen, as shown and described.

**DESCRIPTION**

FIG. 1 is a front elevational view of a pen showing my new design;  
 FIG. 2 is a rear elevational view thereof;  
 FIG. 3 is a left side view thereof;  
 FIG. 4 is a right side view thereof;  
 FIG. 5 is a top plan view thereof;  
 FIG. 6 is a bottom plan view thereof;  
 FIG. 7 is a perspective view thereof;  
 FIG. 8 is another perspective view thereof;  
 FIG. 9 is a perspective view with the cap detached thereof;  
 FIG. 10 is a perspective view with the cap attached on back thereof; and,  
 FIG. 11 is a perspective view with another pen attached on back.

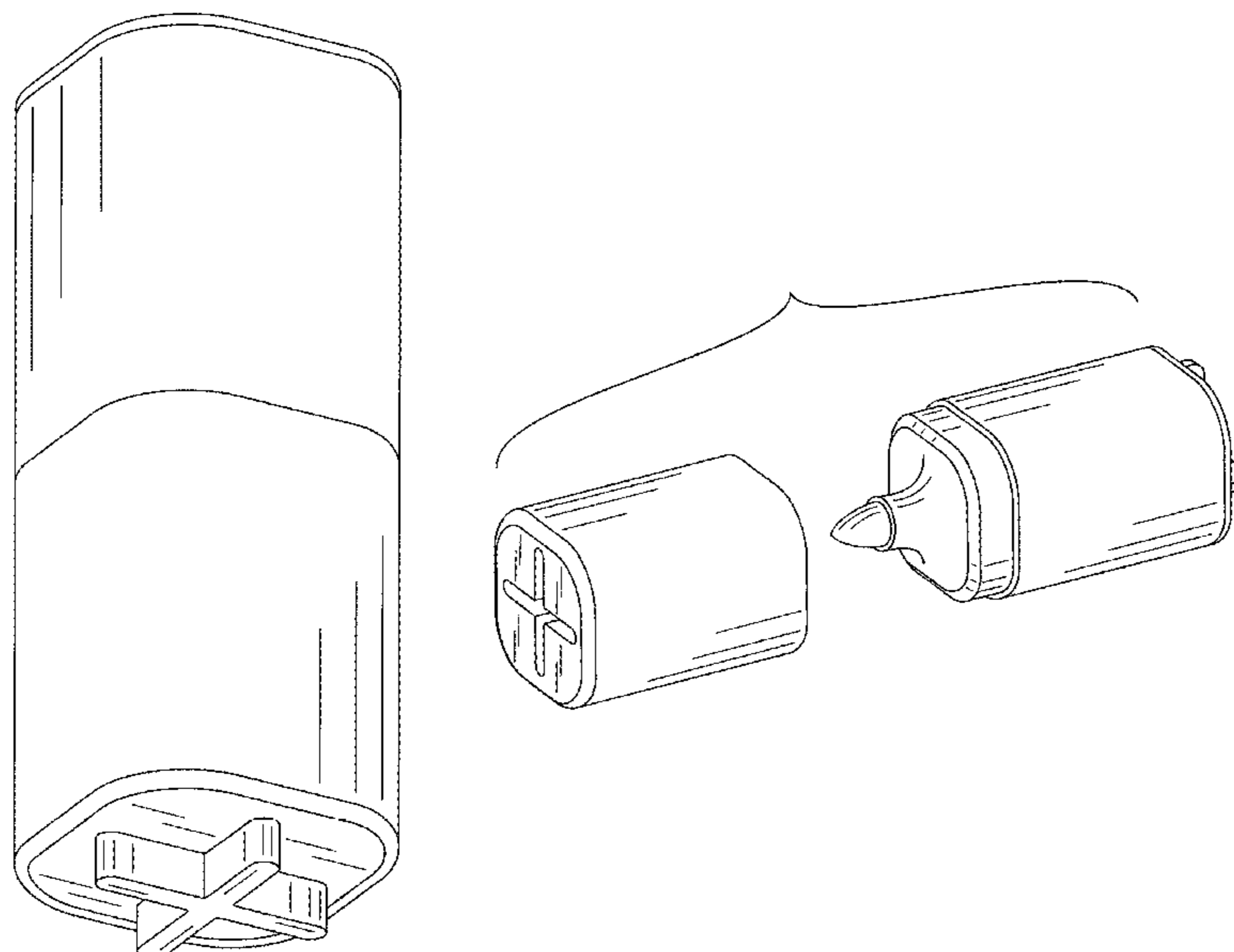
The broken lines in FIGS. 5 and 11 are included for the purpose of illustrating portions of the pen that form no part of the claimed design.

**1 Claim, 11 Drawing Sheets**

(56) **References Cited**

U.S. PATENT DOCUMENTS

2,493,892 A *	1/1950	McPhee	.....	B43K 21/003 401/57
D279,224 S *	6/1985	Wolbrom	.....	D19/71
D301,202 S *	5/1989	Canet	.....	D19/118
4,983,062 A *	1/1991	Hour	.....	A63F 9/001 273/153 S
D335,936 S *	5/1993	Lou	.....	D28/86
D419,187 S *	1/2000	Chuang	.....	D19/118
6,149,330 A *	11/2000	Chuang	.....	B43K 7/005 401/34
6,505,984 B2 *	1/2003	Smith	.....	B43K 19/00 15/424
D475,085 S *	5/2003	Whitehorn	.....	D19/118
D504,344 S *	4/2005	Gotell	.....	D10/107



(56)

**References Cited**

U.S. PATENT DOCUMENTS

2010/0294089 A1 \* 11/2010 Lai ..... B25B 23/0021  
81/177.6

\* cited by examiner

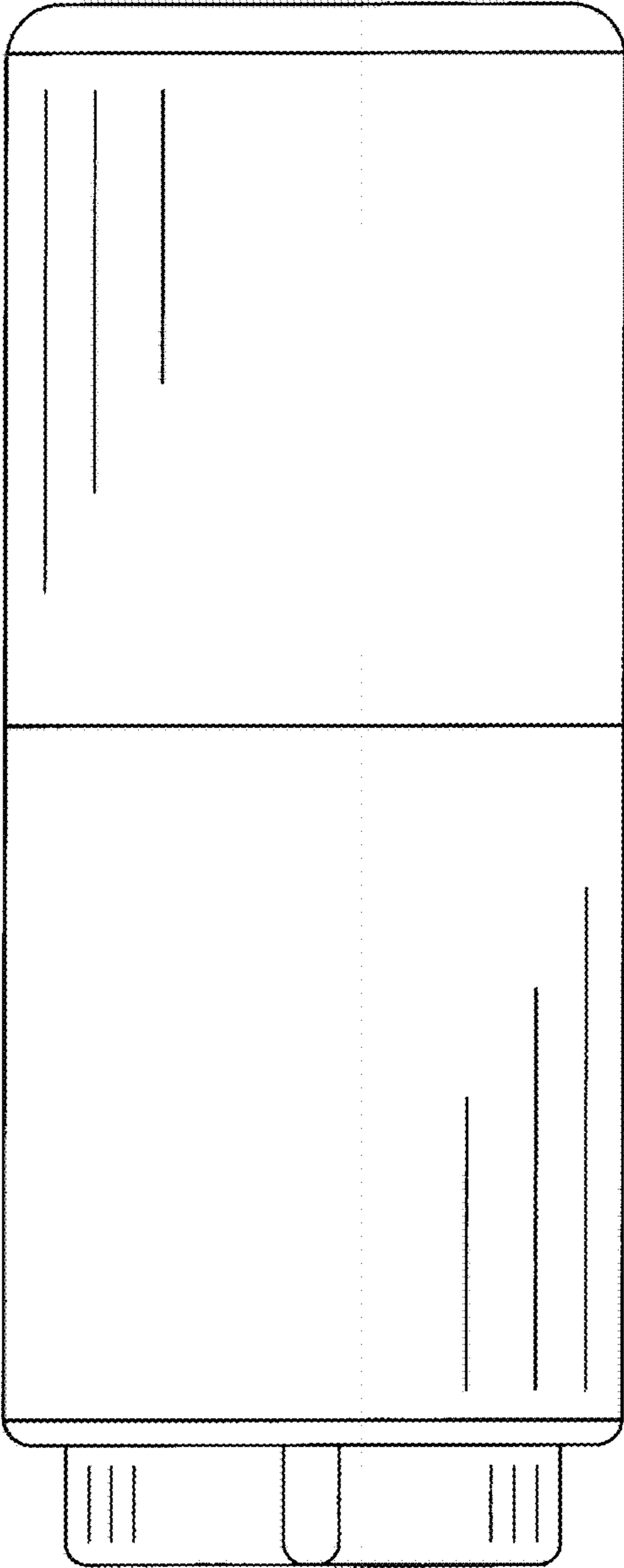


FIG. 1

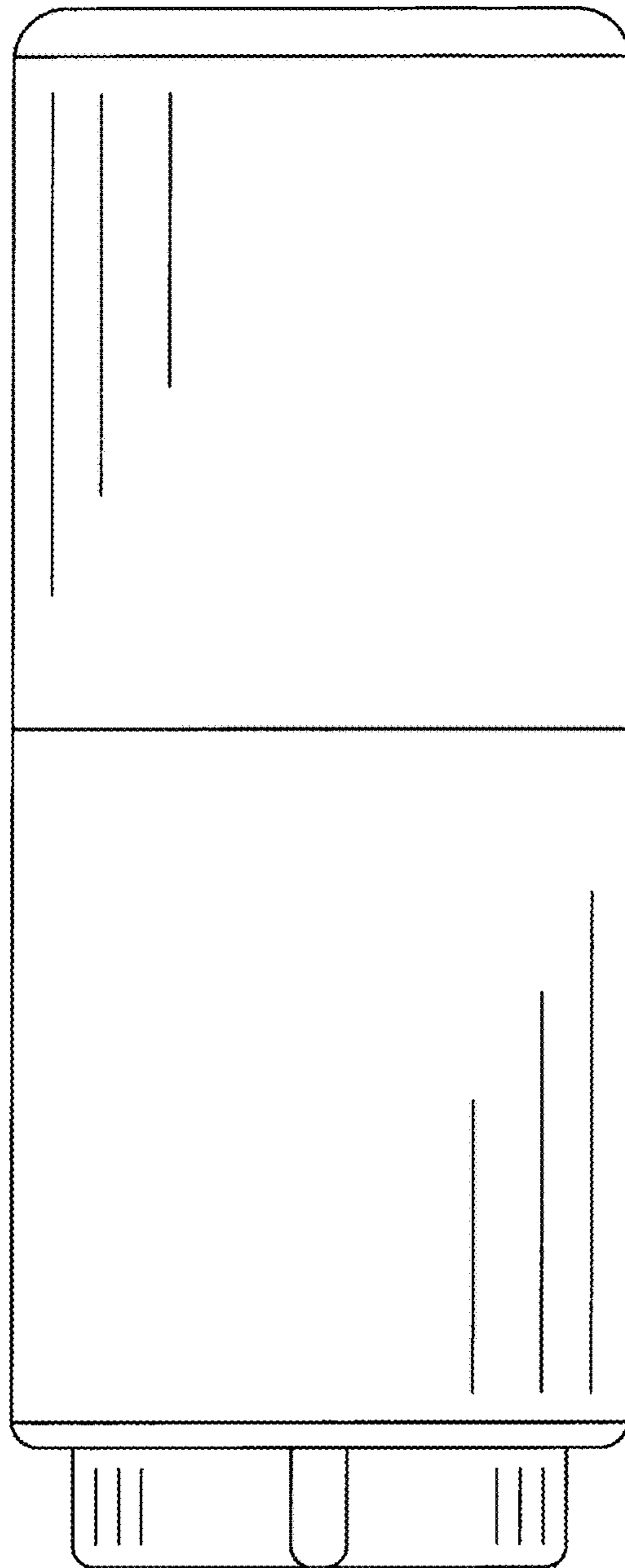


FIG. 2

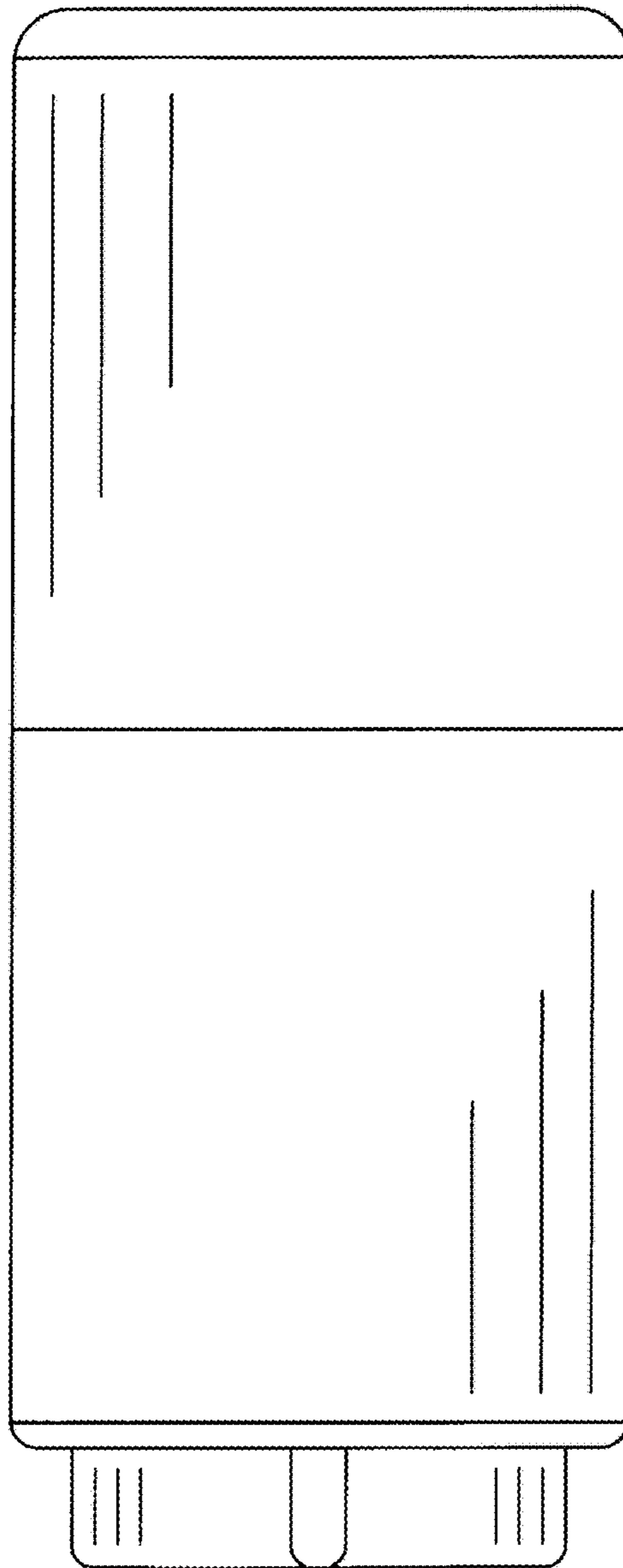


FIG. 3

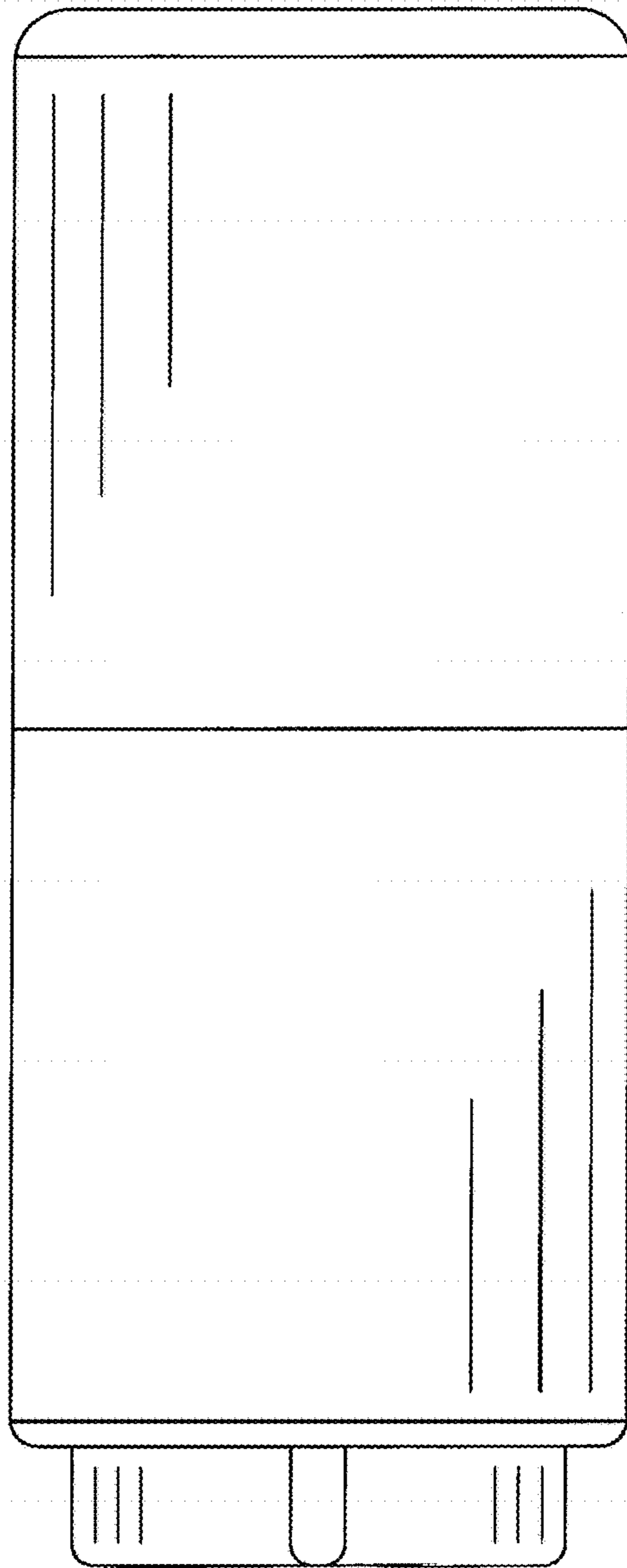


FIG. 4

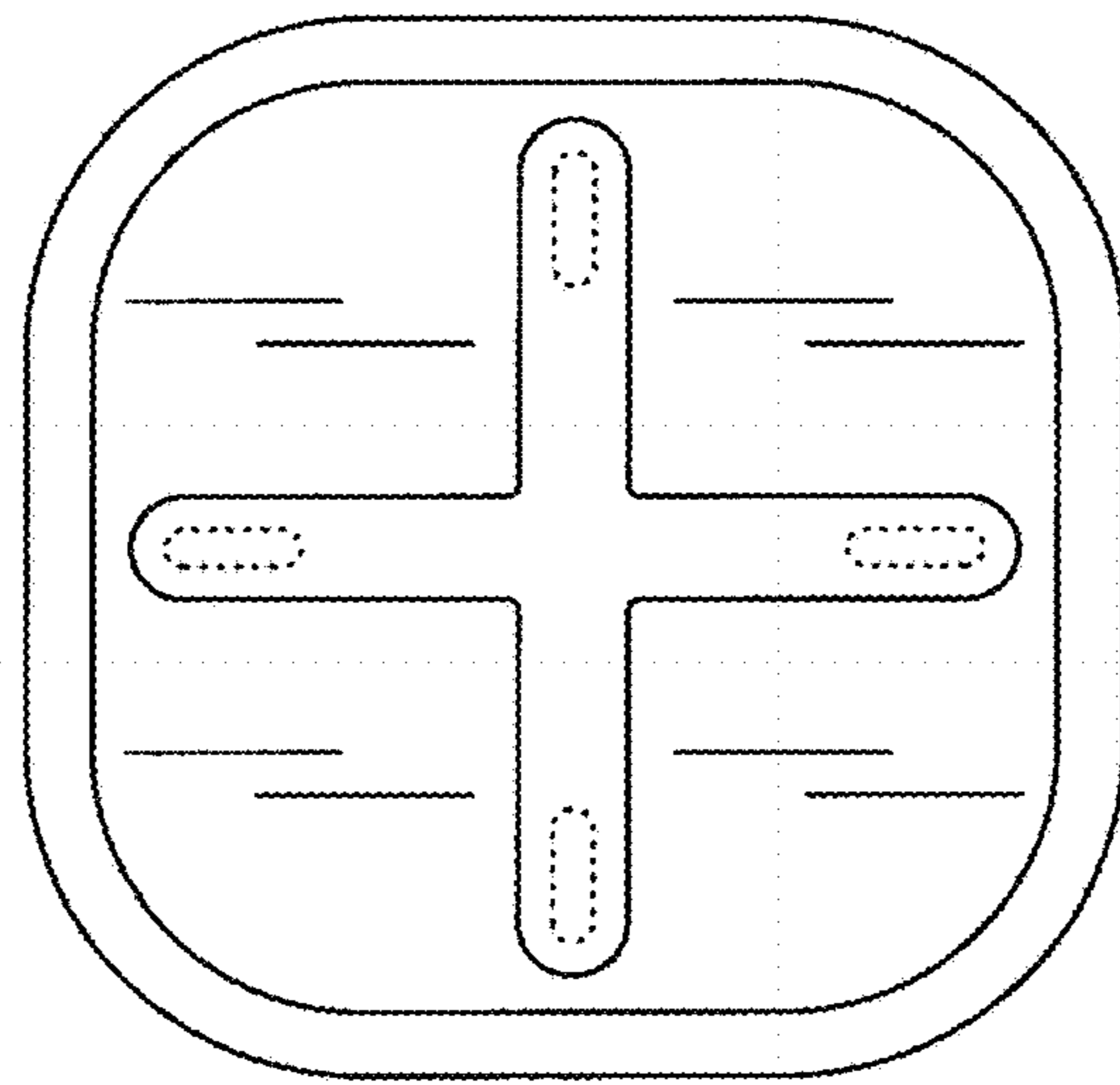


FIG. 5

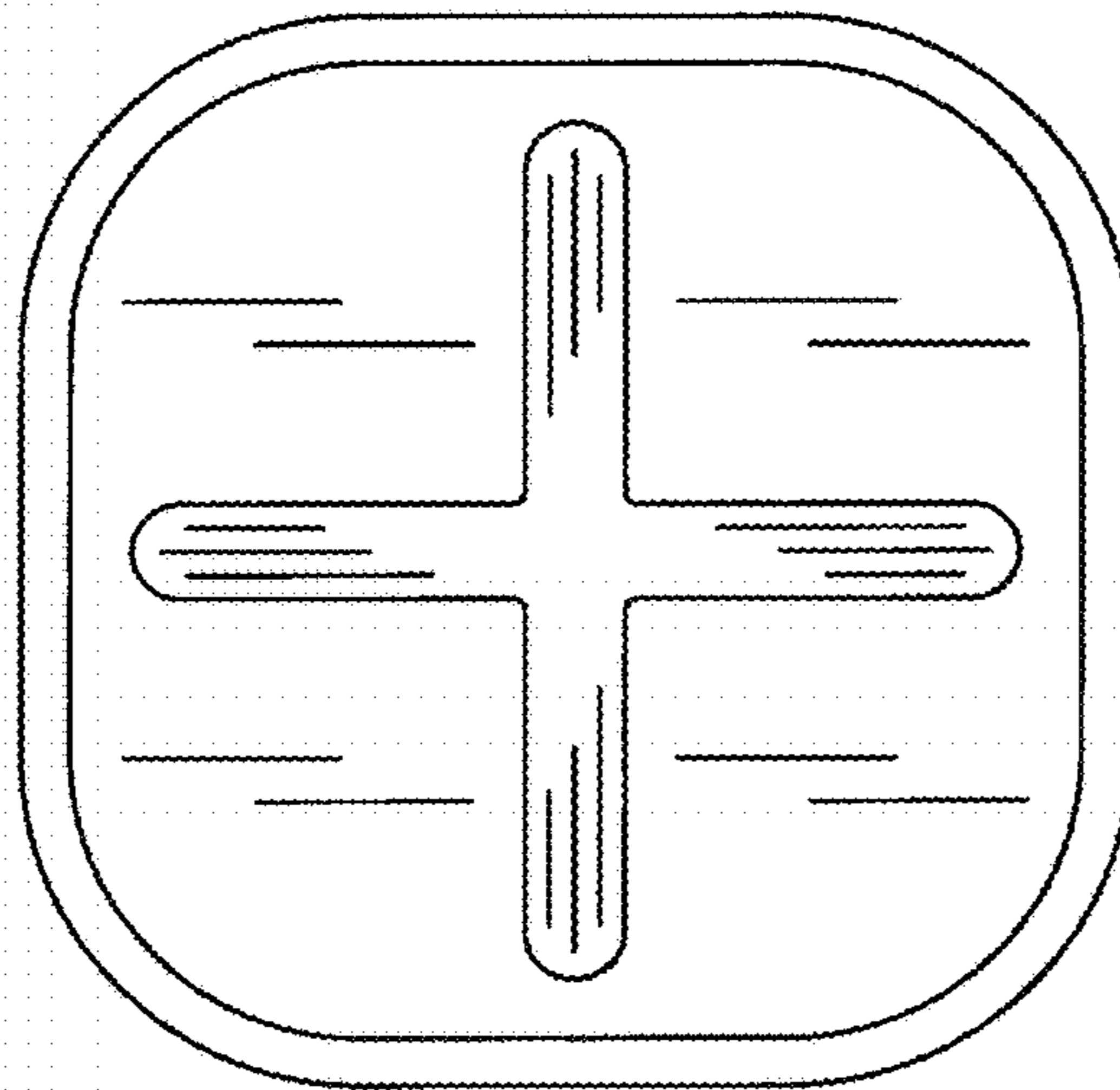


FIG. 6



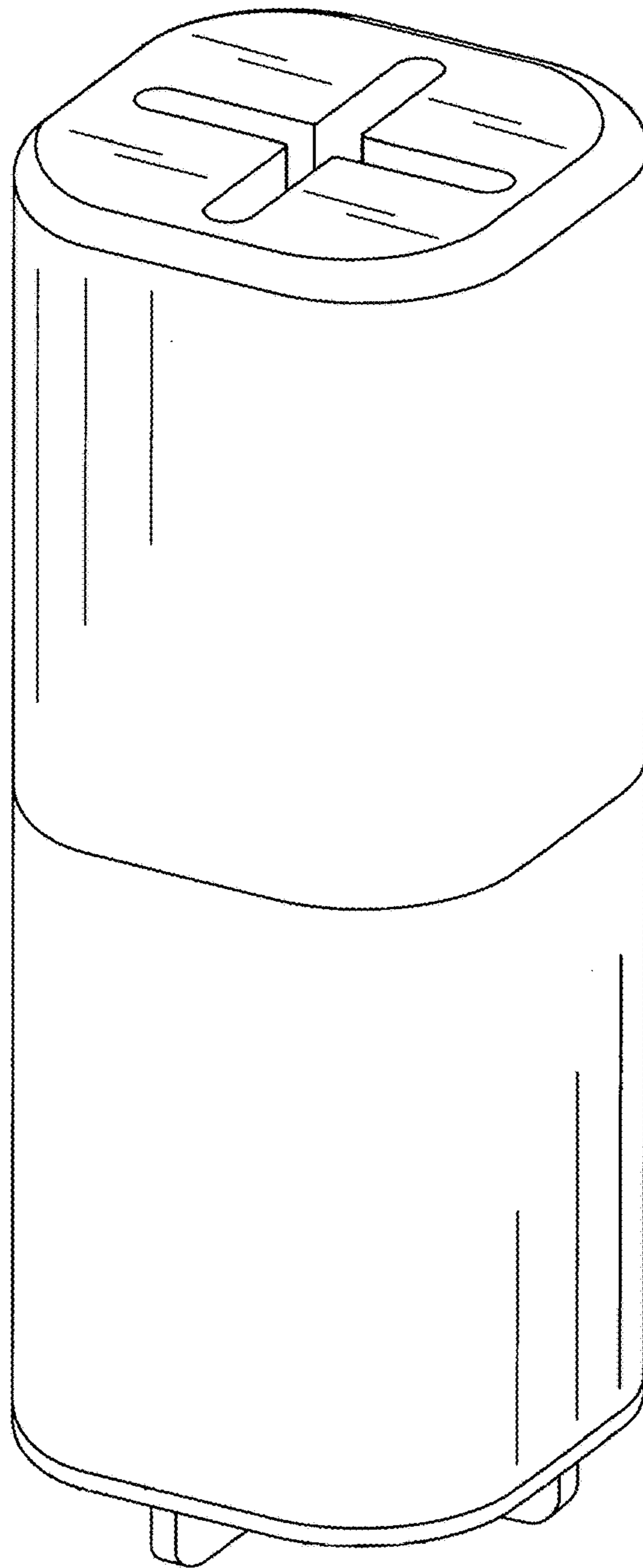


FIG. 7

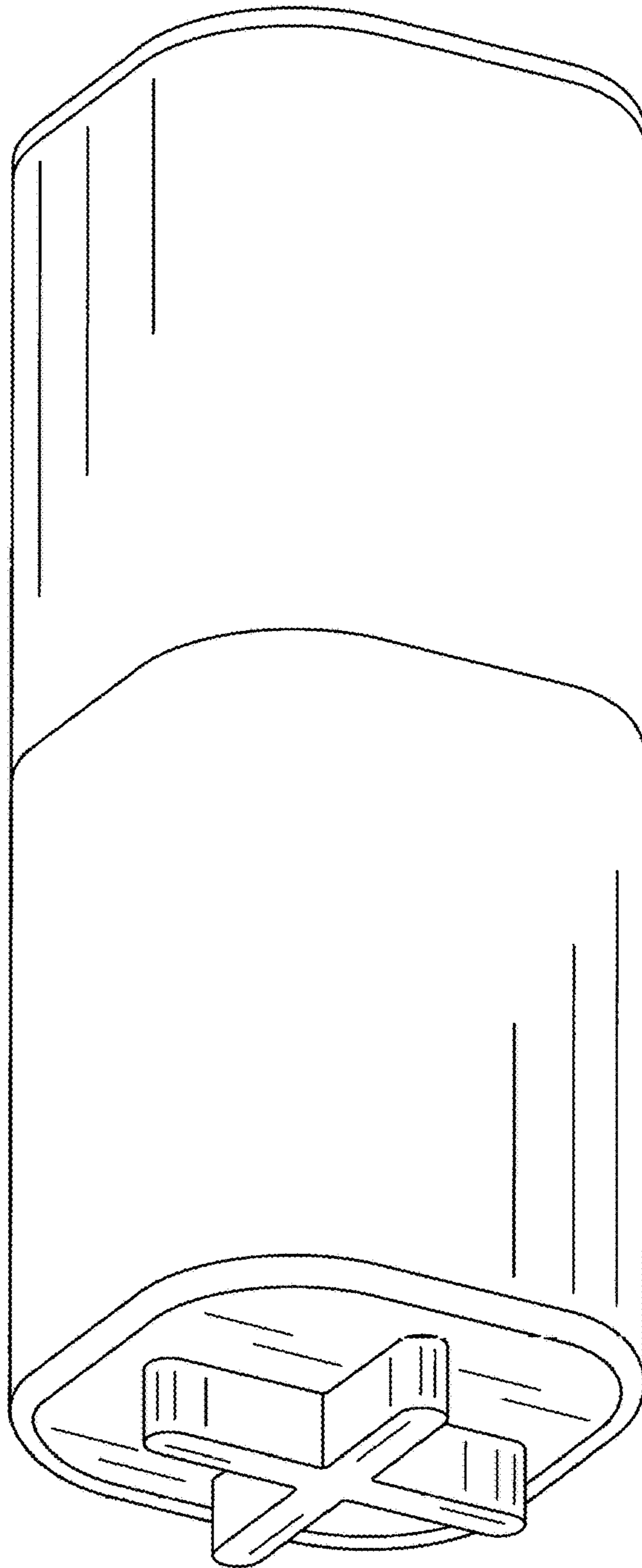


FIG. 8

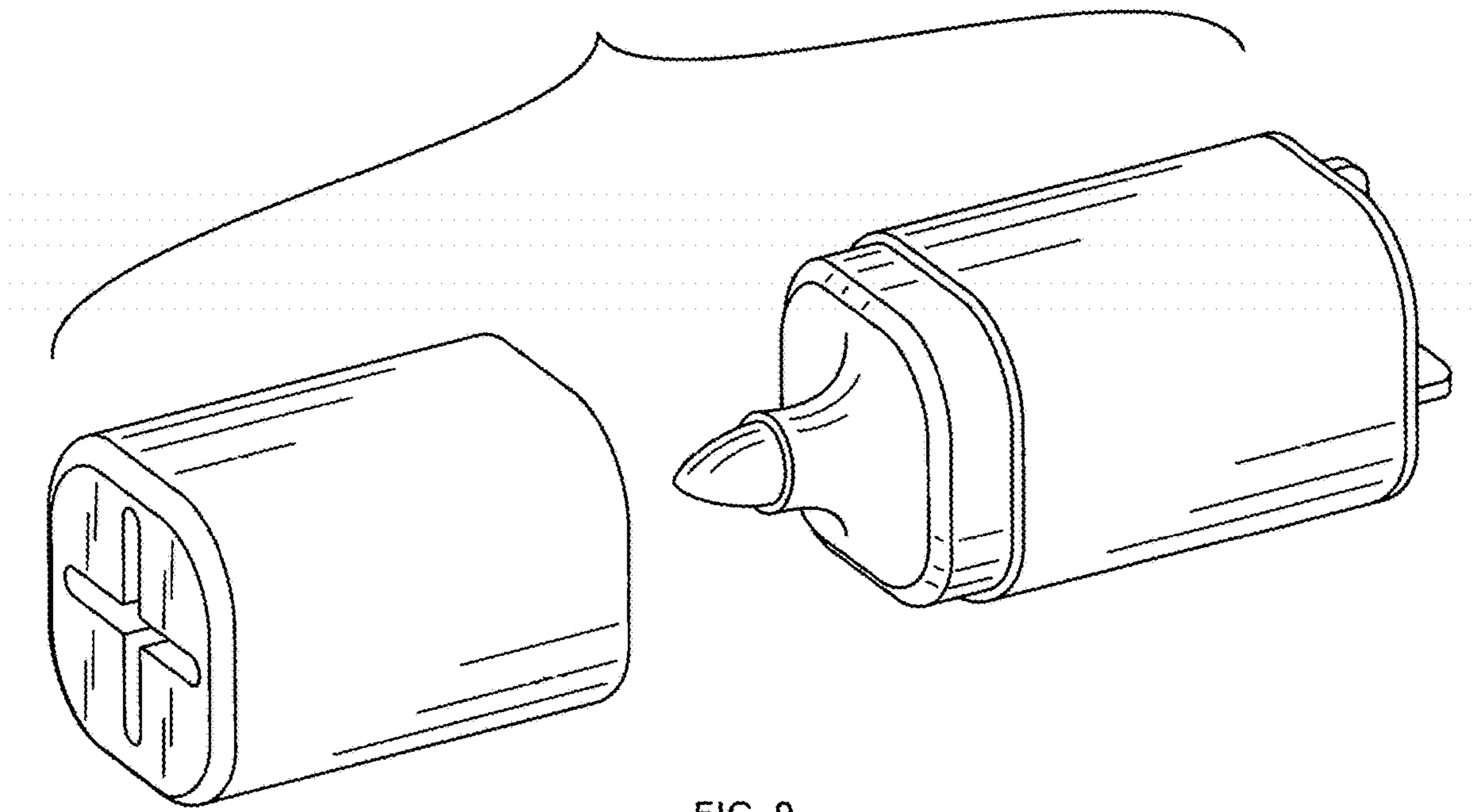


FIG. 9

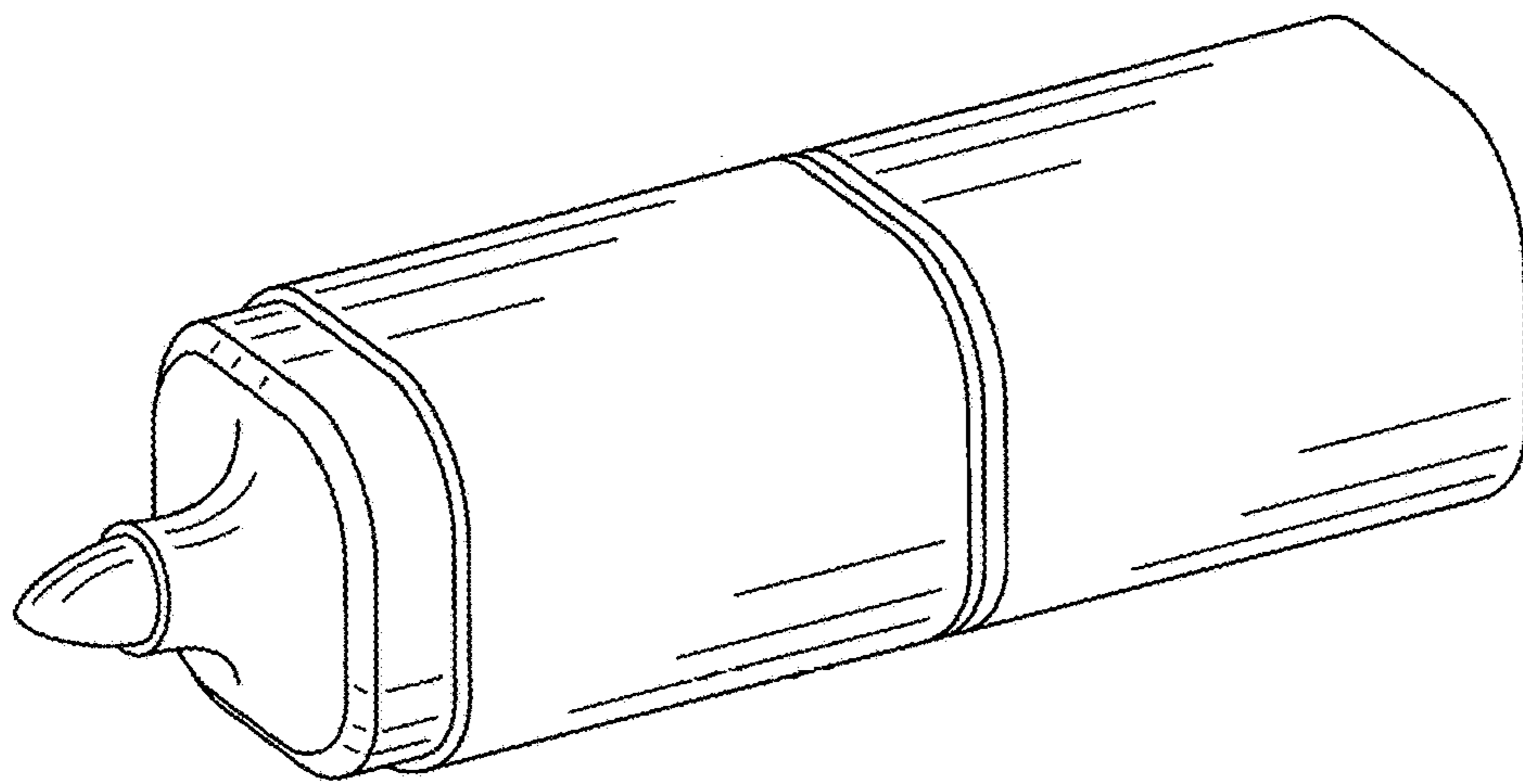


FIG. 10

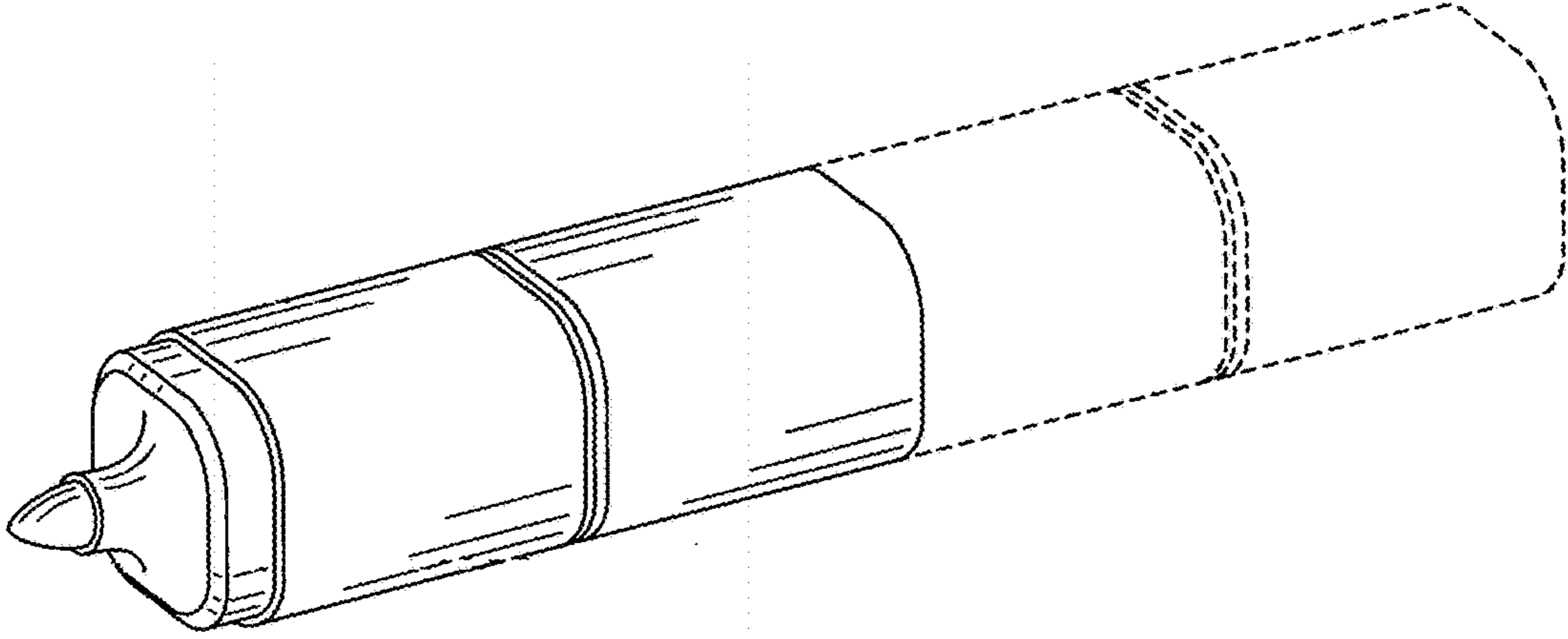


FIG. 11