



US00D851701S

(12) **United States Design Patent**
Carrion et al.

(10) **Patent No.:** **US D851,701 S**
(45) **Date of Patent:** **** Jun. 18, 2019**

- (54) **TAPE DISPENSER**
- (71) Applicant: **Shurtech Brands, LLC.**, Avon, OH (US)
- (72) Inventors: **Heidi Carrion**, Avon, OH (US); **Aaron Misener**, Lakewood, OH (US)
- (73) Assignee: **Shurtech Brands, LLC**, Avon, OH (US)
- (**) Term: **15 Years**
- (21) Appl. No.: **29/619,341**
- (22) Filed: **Sep. 28, 2017**
- (51) **LOC (11) Cl.** **19-02**
- (52) **U.S. Cl.**
USPC **D19/69**
- (58) **Field of Classification Search**
USPC D19/65, 66, 67, 68, 69; D6/515; D9/734
CPC .. B65H 35/00; B65H 35/0006; B65H 35/002;
B65H 35/0026; B65H 35/0033; B65H 35/0053; B65H 35/0073; B65H 35/008;
B65H 35/06
See application file for complete search history.

- 5,921,450 A * 7/1999 Robinson B65H 35/0026
156/579
- D423,054 S * 4/2000 Harris D19/67
- D442,227 S * 5/2001 Carlson B65H 35/0026
D19/67
- D448,413 S * 9/2001 Carlson D19/67
- 6,669,070 B2 * 12/2003 Huang B65H 35/0026
225/56
- 6,719,180 B2 * 4/2004 Shah B65H 35/0026
225/56
- D490,469 S * 5/2004 Chandaria D19/67
- D506,224 S * 6/2005 Farce D19/67
- D507,020 S * 7/2005 Mueller D19/67
- 6,913,060 B2 * 7/2005 Chandaria B65H 35/0026
156/523
- 6,923,358 B2 * 8/2005 Chandaria B65H 35/0026
156/527
- D529,093 S * 9/2006 Gullicks D19/69
- D533,905 S * 12/2006 Gullicks D19/69
- D568,400 S * 5/2008 Packard D19/69
- D588,646 S * 3/2009 Vulpitta D19/69

(Continued)

Primary Examiner — Elizabeth A. Albert
(74) *Attorney, Agent, or Firm* — Fay Sharpe LLP

(57) **CLAIM**

The ornamental design for a tape dispenser, as shown and described.

(56) **References Cited**

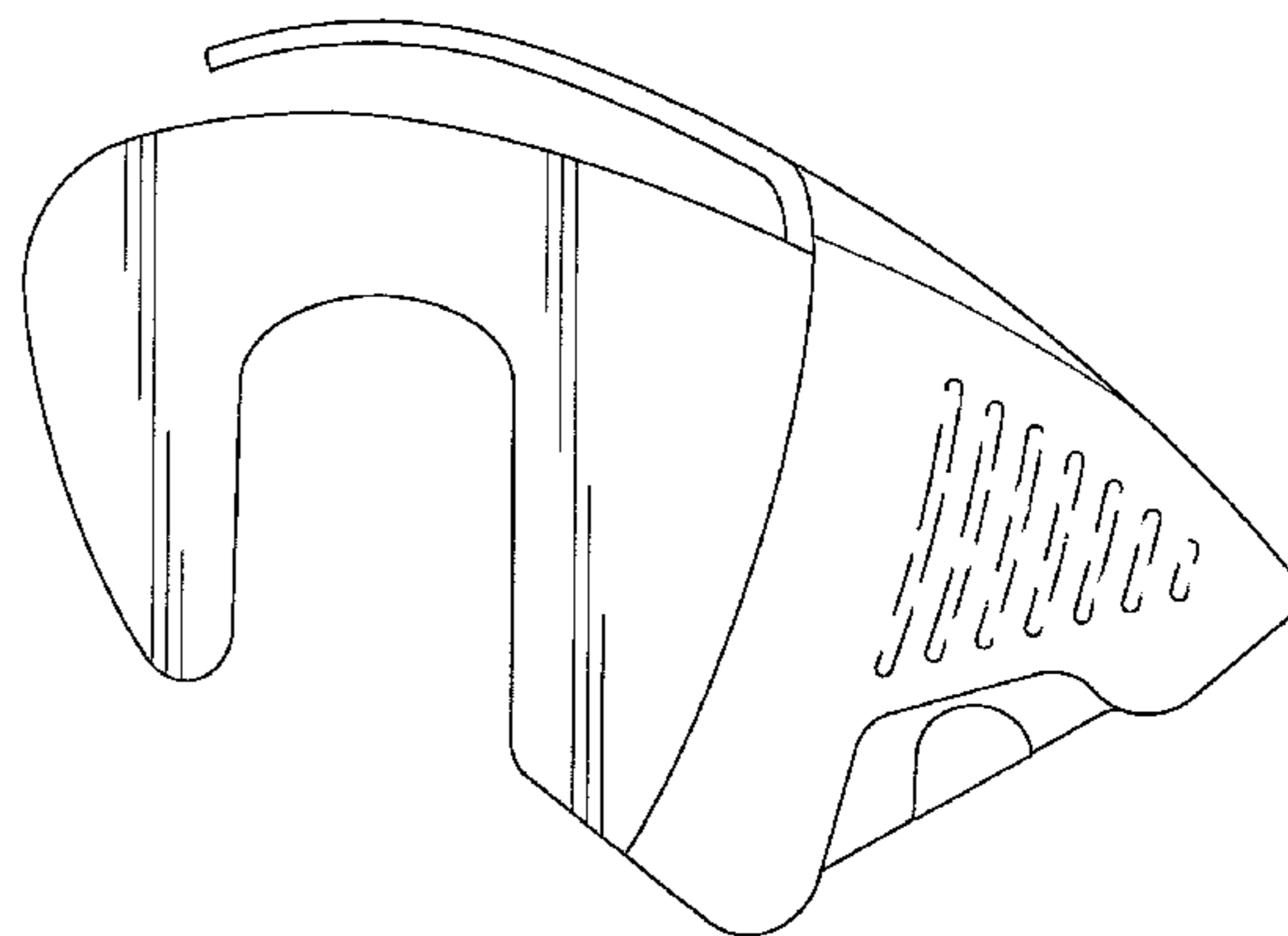
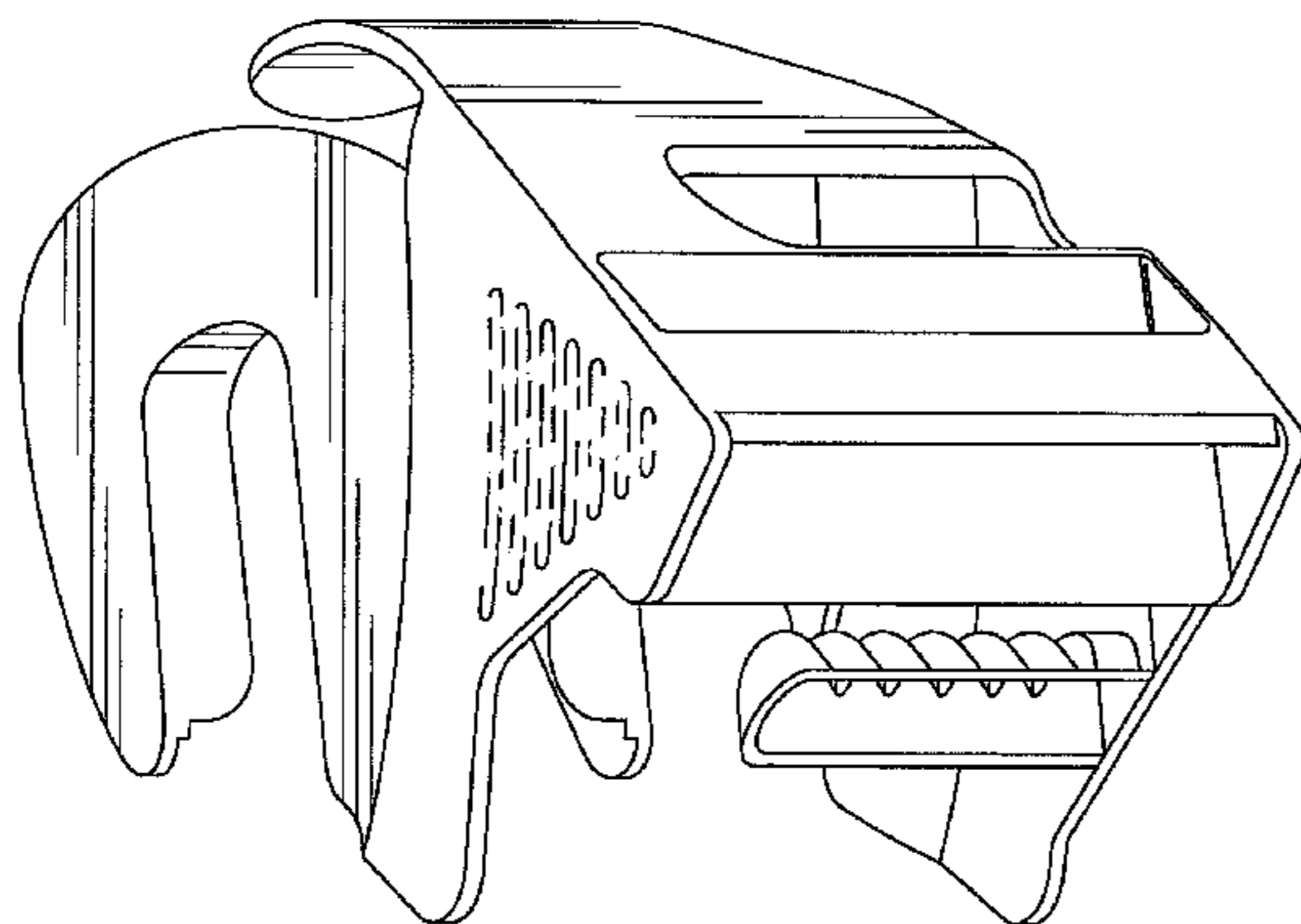
U.S. PATENT DOCUMENTS

- D259,643 S * 6/1981 Pearson D19/69
- 4,961,525 A * 10/1990 Corbo B65H 35/0026
225/56
- 5,071,051 A * 12/1991 Corbo B65H 35/0026
225/56
- D362,684 S * 9/1995 Samuelson D19/67
- 5,468,332 A * 11/1995 Dretzka B65H 35/0026
156/527
- 5,672,238 A * 9/1997 Samuelson B65D 73/0064
156/579
- 5,820,005 A * 10/1998 Perkitny B65H 35/0026
225/65

DESCRIPTION

FIG. 1 is a perspective view of a tape dispenser; FIG. 2 is a first side plan view thereof; FIG. 3 is a rear plan view thereof; FIG. 4 is the other side plan view thereof; FIG. 5 is a front side plan view thereof; FIG. 6 is a top end view thereof; and, FIG. 7 is a bottom end view thereof. The broken lines in FIGS. 1-7 are included for the purpose of illustrating portions of the tape dispenser that form no part of the claimed design.

1 Claim, 3 Drawing Sheets



(56)

References Cited

U.S. PATENT DOCUMENTS

D591,354 S * 4/2009 Vulpitta D19/69
8,191,597 B2 * 6/2012 Vulpitta B65H 35/0026
156/574
D664,201 S * 7/2012 Packard D19/69
D665,027 S * 8/2012 Packard D19/69
D687,102 S * 7/2013 Chandaria D19/69
8,474,504 B2 * 7/2013 Vulpitta B65H 35/0033
156/486
8,813,806 B2 * 8/2014 Vulpitta B65H 35/0013
156/527
D753,762 S * 4/2016 Chandaria D19/69
9,963,317 B2 * 5/2018 Tiedemann B29C 33/005
10,106,360 B2 * 10/2018 Tiedemann B65H 35/0026
10,173,858 B2 * 1/2019 Vulpitta B65H 35/0033
2016/0355365 A1 * 12/2016 Werner B65H 35/008
2018/0009623 A1 * 1/2018 Tiedemann B65H 37/005

* cited by examiner

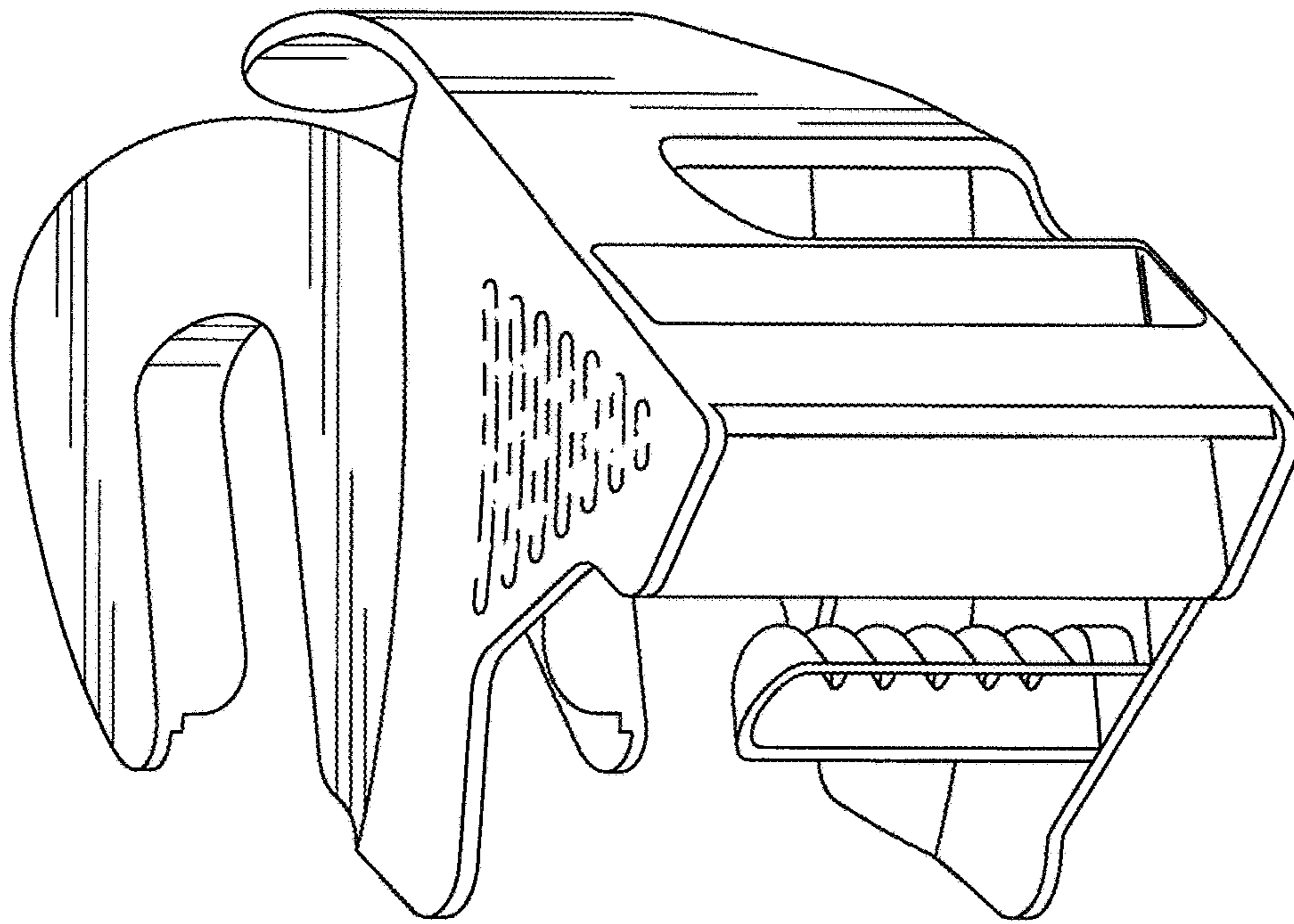


FIG. 1

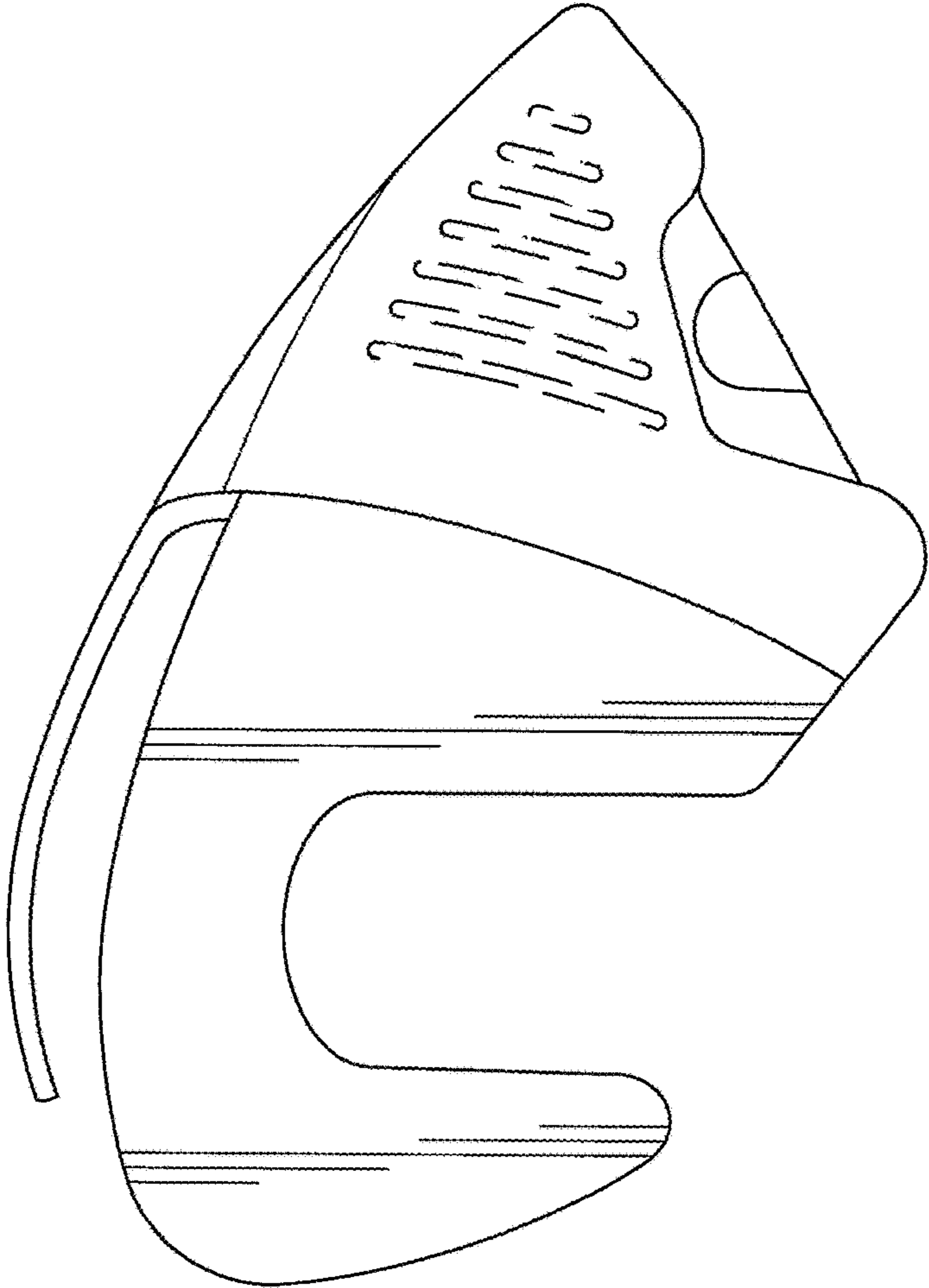


FIG. 2

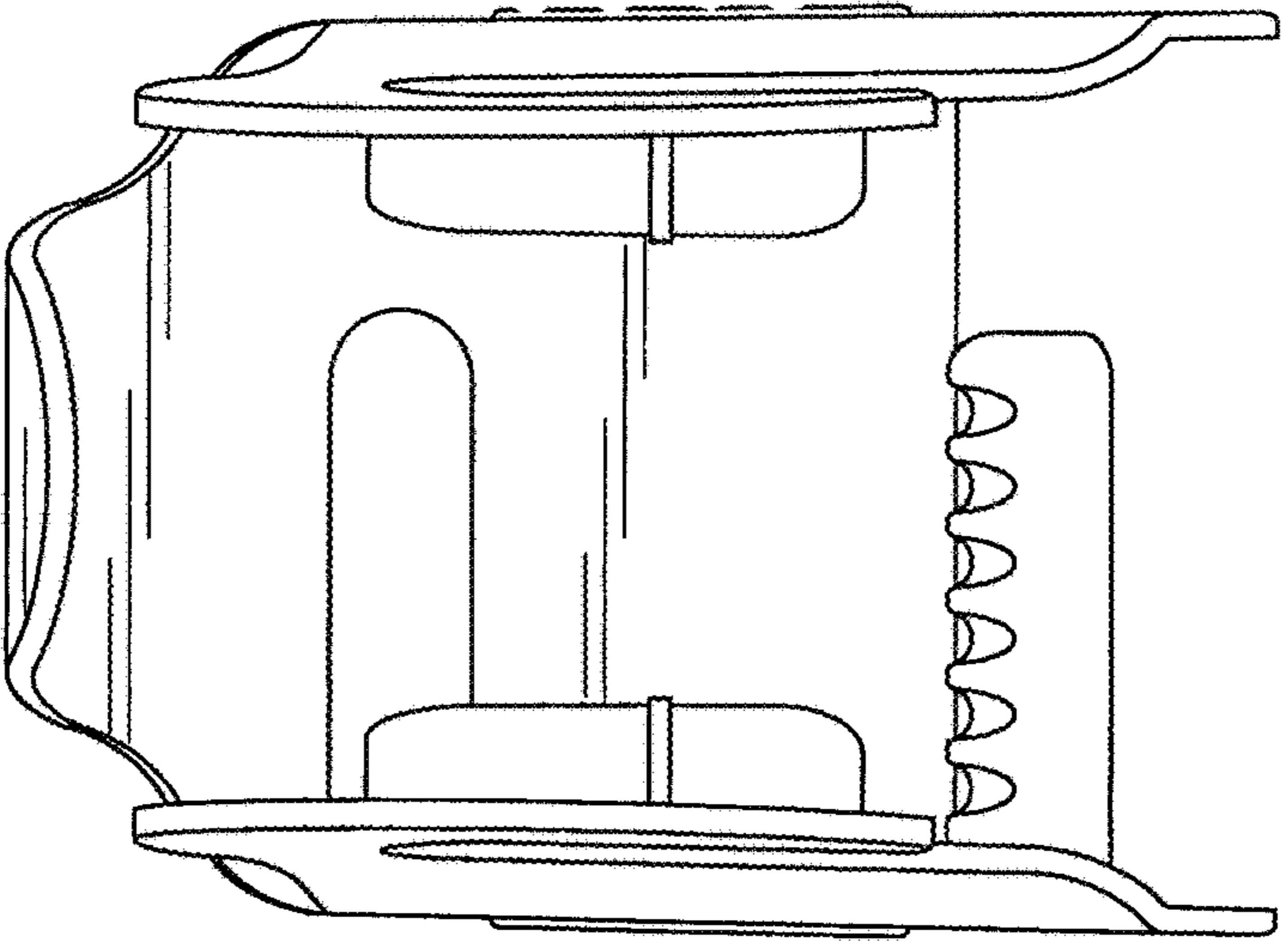


FIG. 3

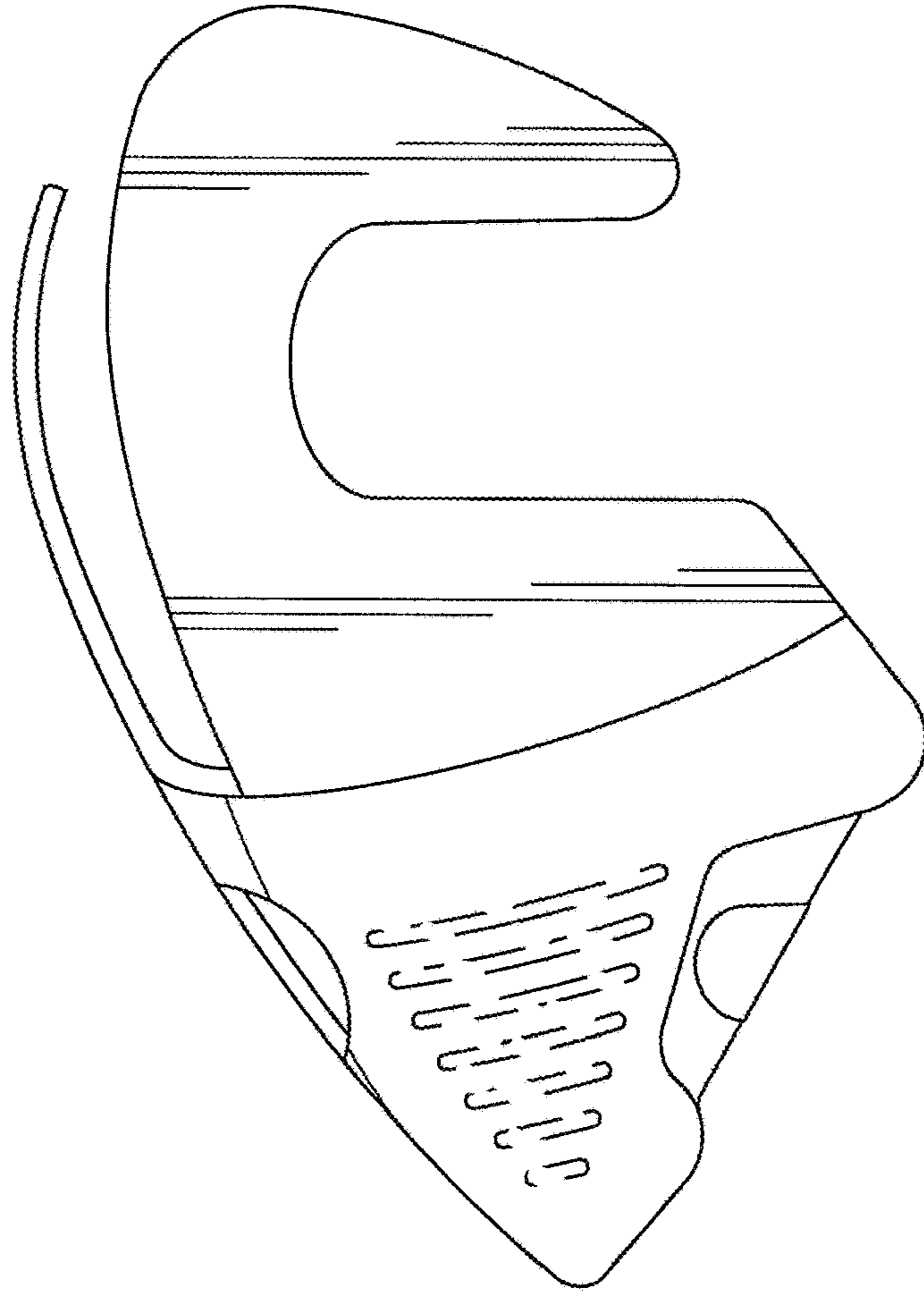


FIG. 4

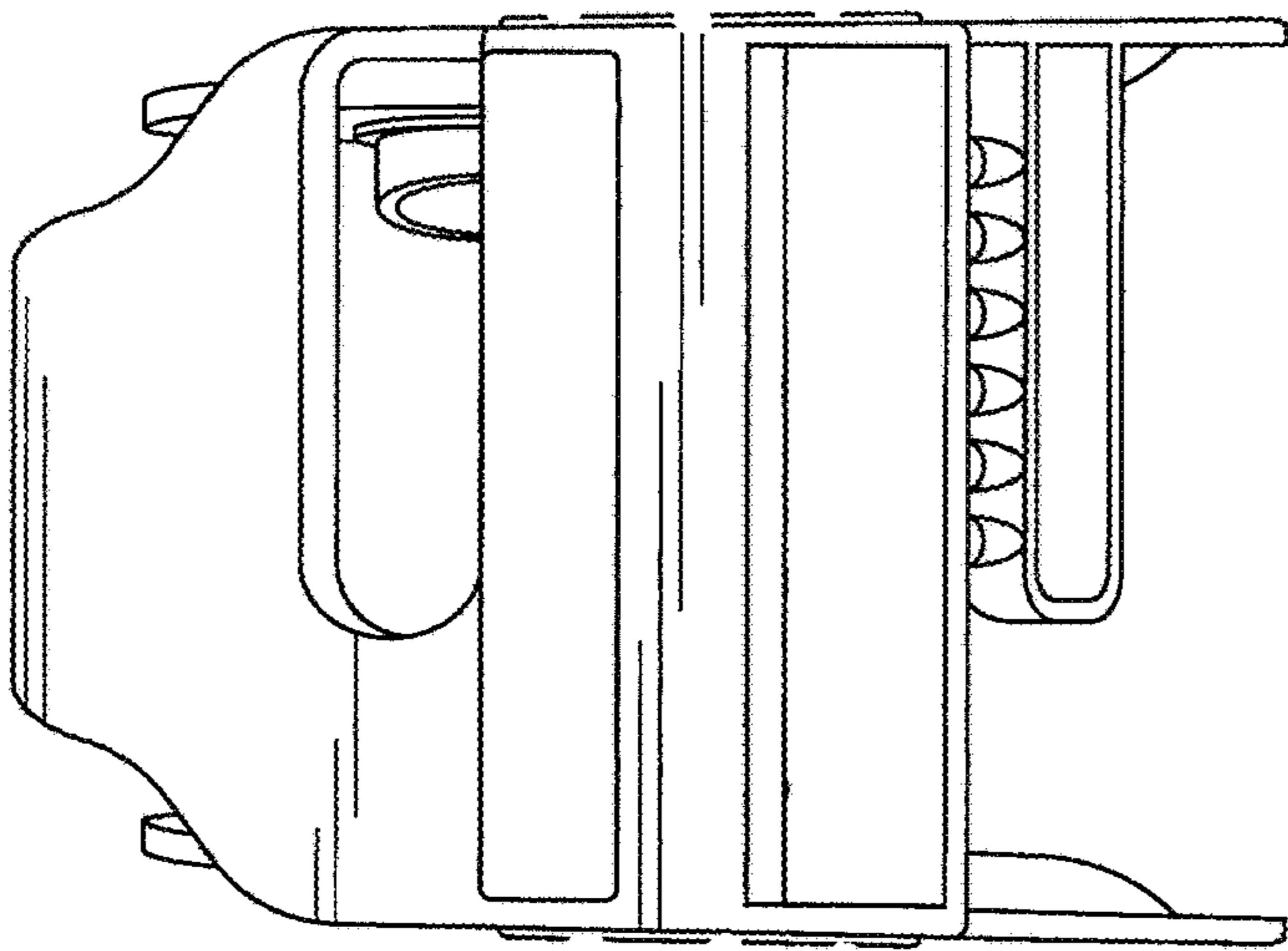


FIG. 5