



US00D851700S

(12) **United States Design Patent** (10) **Patent No.:** **US D851,700 S**
Sudhir (45) **Date of Patent:** **** Jun. 18, 2019**

(54) **TAPE DISPENSER**

(71) Applicant: **Sanandan Sudhir**, Delhi (IN)
(72) Inventor: **Sanandan Sudhir**, Delhi (IN)
(**) Term: **15 Years**
(21) Appl. No.: **29/613,304**
(22) Filed: **Aug. 9, 2017**

OTHER PUBLICATIONS

USPTO Office Action dated Feb. 25, 2015 issued for related U.S. Appl. No. 13/514,983.

(Continued)

Primary Examiner — Elizabeth A. Albert
(74) *Attorney, Agent, or Firm* — D'Ambrosio & Menon, PLLC; Usha Menon

(57) **CLAIM**

The ornamental design for a tape dispenser, as shown and described.

Related U.S. Application Data

(63) Continuation-in-part of application No. 15/599,837, filed on May 19, 2017, which is a continuation-in-part of application No. 13/514,983, filed as application No. PCT/IN2010/000747 on Nov. 16, 2010, now Pat. No. 9,656,827.

(51) **LOC (11) Cl.** **19-02**

(52) **U.S. Cl.**
USPC **D19/69**

(58) **Field of Classification Search**
USPC D19/66-71, 1; D8/356, 358; D10/71; D20/10, 11, 22, 26; D24/189
CPC B65H 35/0026; B65H 35/0033; B65H 35/0073; B65H 35/004; B65H 35/008; C09J 7/02; C09J 7/04; C09J 7/041; C09J 7/045; C09J 7/048; C09J 2205/106; B05B 15/0456

See application file for complete search history.

(56) **References Cited**

U.S. PATENT DOCUMENTS

381,294 A 4/1888 Tea
424,493 A 4/1890 Morris
549,672 A 11/1895 Jewell
1,296,117 A 3/1919 Pierce et al.

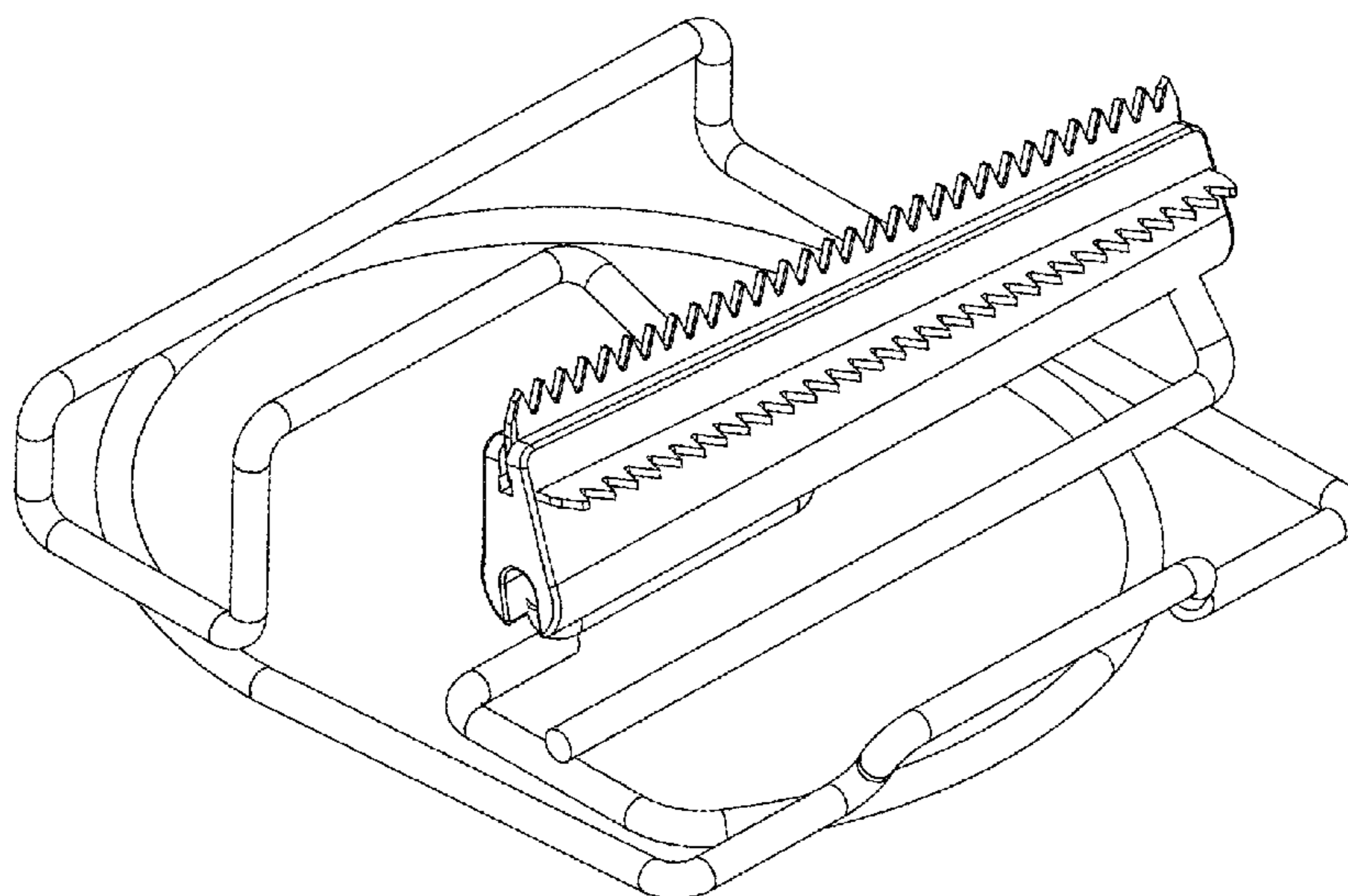
(Continued)

DESCRIPTION

FIG. 1 is a perspective view of a tape dispenser showing my new design;
FIG. 2 is a front view of the tape dispenser shown in FIG. 1;
FIG. 3 is a top view of the tape dispenser shown in FIG. 1;
FIG. 4 is a bottom view of the tape dispenser shown in FIG. 1;
FIG. 5 is a left side view of the tape dispenser shown in FIG. 1;
FIG. 6 is a right side view of the tape dispenser shown in FIG. 1;
FIG. 7 is another perspective view of the tape dispenser shown in FIG. 1;
FIG. 8 another front view of the tape dispenser shown in FIG. 1;
FIG. 9 is another top view of the tape dispenser shown in FIG. 1;
FIG. 10 is another bottom view of the tape dispenser shown in FIG. 1;
FIG. 11 is another left side view of the tape dispenser shown in FIG. 1; and,
FIG. 12 is another right side view of the tape dispenser shown in FIG. 1.

The broken lines in the drawings showing a roll of tape are included to show an article in the environment that forms no part of the claimed design.

1 Claim, 9 Drawing Sheets



(56)

References Cited

U.S. PATENT DOCUMENTS

2,524,453 A * 10/1950 Locke B65H 35/0026
225/25
2,588,043 A 3/1952 Rabinowitz et al.
2,655,214 A 10/1953 Van Cleef
2,670,042 A * 2/1954 Isler B65H 35/0026
225/57
2,703,208 A 3/1955 Tasker
2,704,190 A 3/1955 Schmale et al.
2,706,003 A 4/1955 Isler
2,788,181 A 4/1957 Anderson
D182,792 S * 5/1958 Cullen D19/69
D182,793 S * 5/1958 Cullen D19/69
3,149,764 A 9/1964 Waltz
3,283,977 A 11/1966 Schluchter
3,378,184 A 4/1968 Mallory
3,556,367 A 1/1971 Ikeda
3,684,141 A 8/1972 Hall
3,696,980 A 10/1972 Waltz
3,968,915 A 7/1976 Schleicher
4,093,138 A 6/1978 Shafer
4,194,658 A 3/1980 Tschudin
4,405,068 A 9/1983 Blair
4,606,485 A 8/1986 Rankin
4,667,891 A 5/1987 Pool
4,711,384 A 12/1987 Harris
D308,891 S 6/1990 Harris
5,071,051 A 12/1991 Corbo et al.
5,209,371 A * 5/1993 Daniels A47F 13/085
221/63
5,551,646 A 9/1996 Goldstein
5,556,019 A * 9/1996 Morris B65D 33/002
225/106
5,636,809 A 6/1997 Koch
5,706,993 A 1/1998 Dematteis
5,759,342 A 6/1998 Luhman et al.
5,775,624 A 7/1998 Huerta
5,788,807 A 8/1998 Gratz
5,868,893 A 2/1999 Kipper et al.
5,934,535 A 8/1999 Kannankeril et al.

6,257,298 B1 7/2001 Huang
6,279,806 B1 8/2001 Simhaee
6,561,403 B1 5/2003 Kannankeril et al.
6,648,265 B2 11/2003 Goldberg
6,685,075 B1 * 2/2004 Kannankeril A47F 9/042
225/106
7,387,275 B1 6/2008 Hui
7,841,498 B1 11/2010 Rohrer
8,215,527 B2 * 7/2012 Fathi B65H 35/0026
156/577
8,443,862 B1 5/2013 Manabat
8,844,783 B2 * 9/2014 Tan B26F 3/02
225/106
8,905,283 B2 * 12/2014 Tan B65H 35/10
225/106
8,991,674 B2 3/2015 Lee
9,085,383 B2 * 7/2015 Tan B26F 3/02
9,751,712 B2 * 9/2017 Helseth B65H 35/10
2002/0170937 A1 11/2002 Yeh et al.
2006/0219748 A1 10/2006 Thompson et al.
2008/0041908 A1 2/2008 Daniels
2008/0135181 A1 6/2008 Lee
2009/0302084 A1 12/2009 Liu
2010/0193539 A1 8/2010 Fathi
2011/0073629 A1 3/2011 Tseng
2014/0144966 A1 5/2014 Tan
2014/0209651 A1 7/2014 Wilfong

OTHER PUBLICATIONS

USTPO Office Action dated Jun. 18, 2015 issued for related U.S. Appl. No. 13/514,983.
USPTO Office Action dated Oct. 6, 2015 issued for related U.S. Appl. No. 13/514,983.
USPTO Office Action dated Sep. 10, 2014 issued for related U.S. Appl. No. 13/514,983.
USPTO Office Action dated Feb. 25, 2016 issued for related U.S. Appl. No. 13/514,983.
USTPO Final Office Action dated Sep. 9, 2016 issued for related U.S. Appl. No. 13/514,983.

* cited by examiner

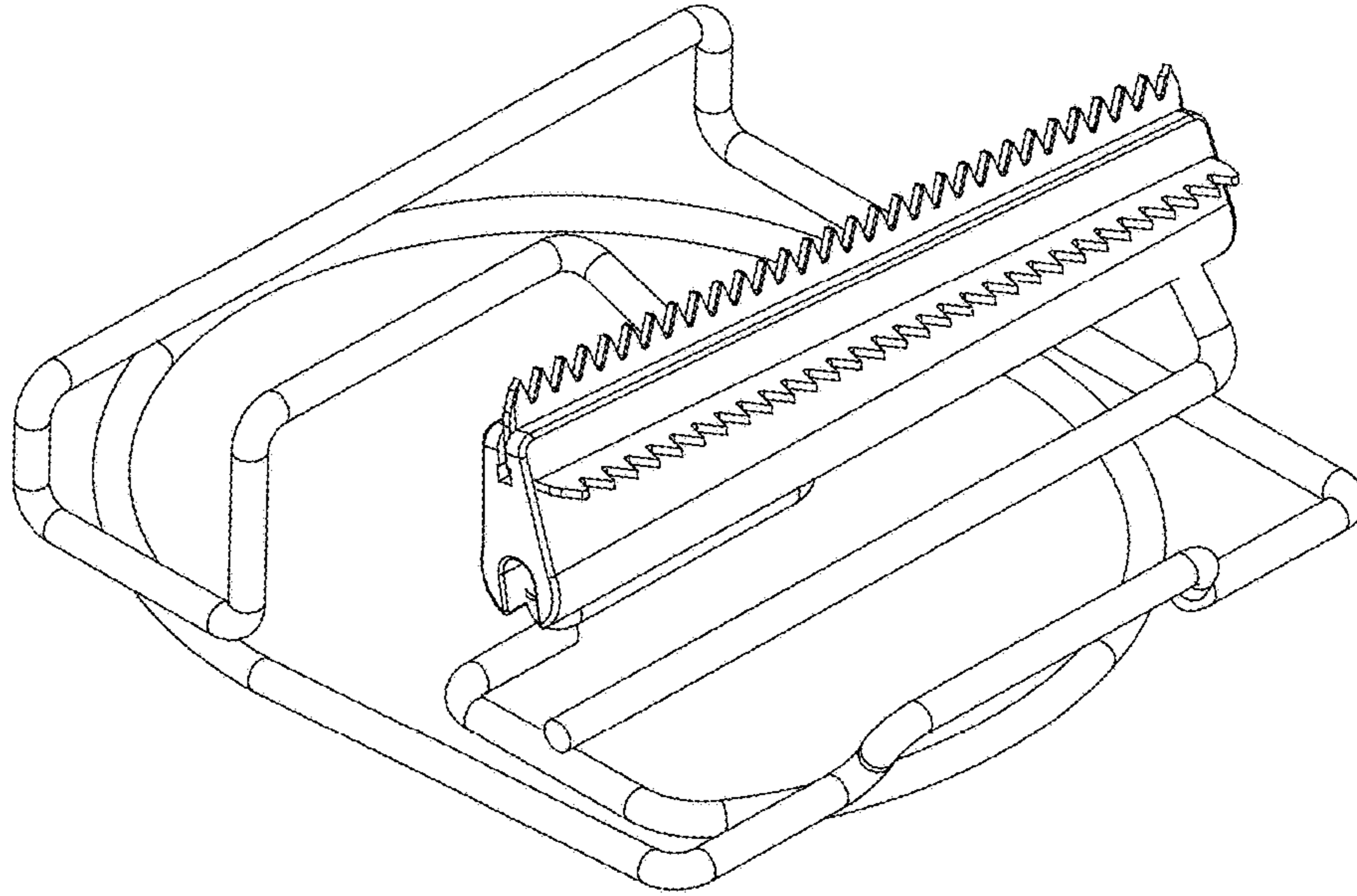


FIGURE 1

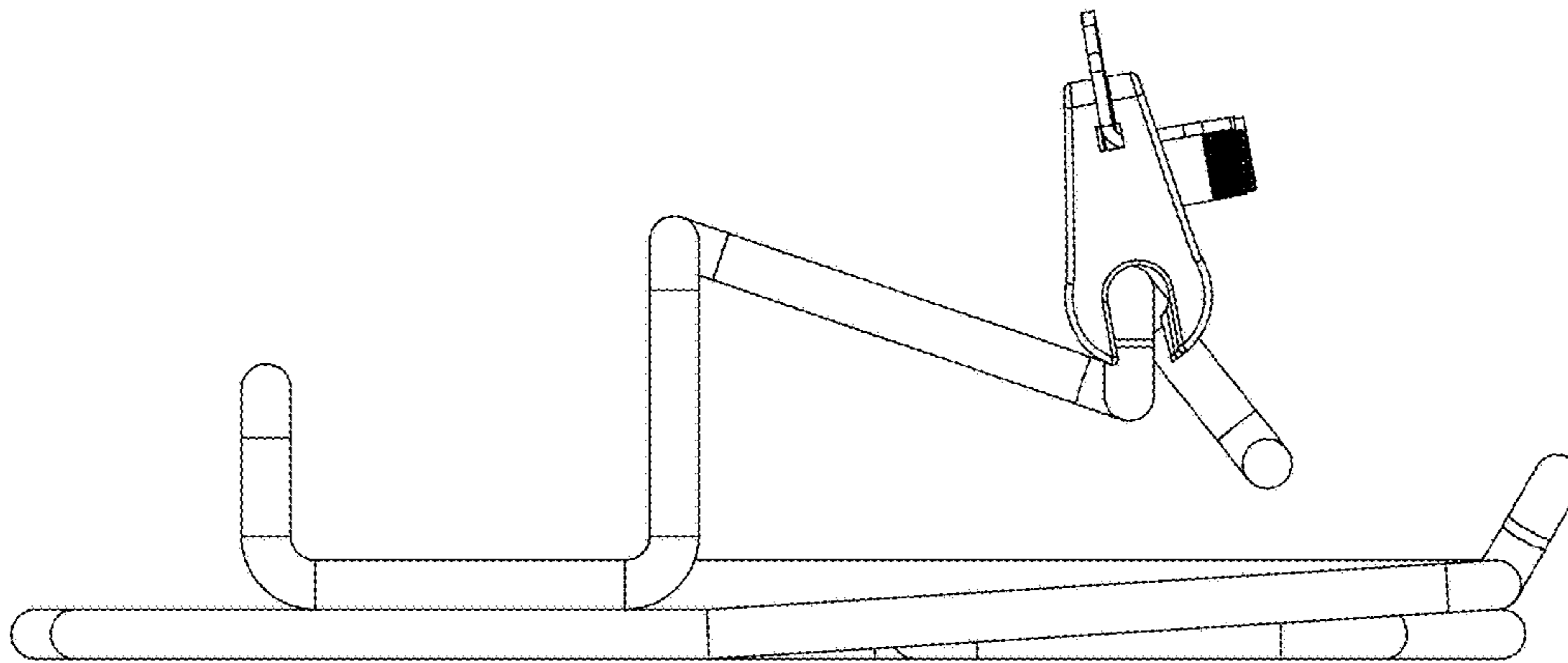


FIGURE 2

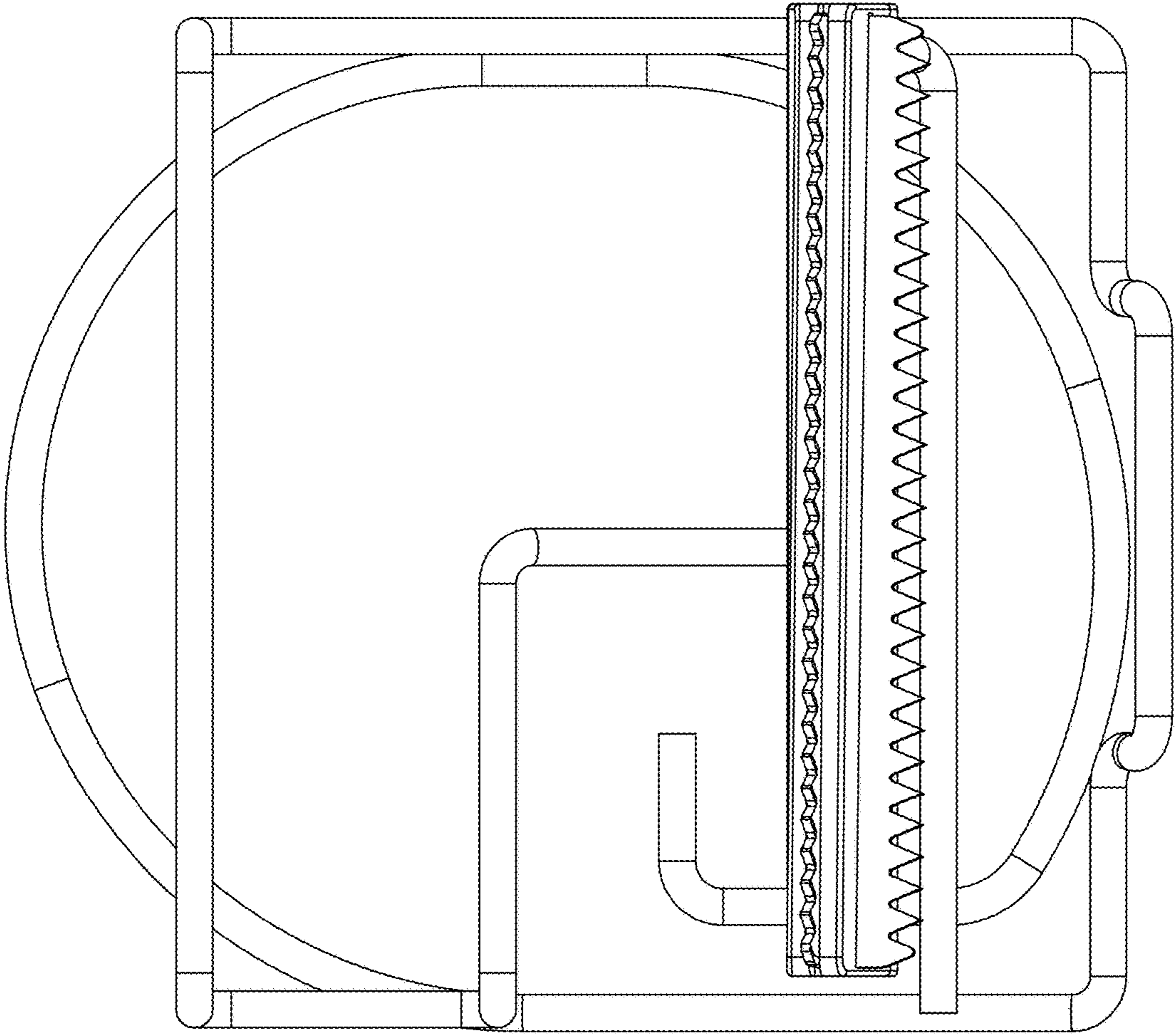


FIGURE 3

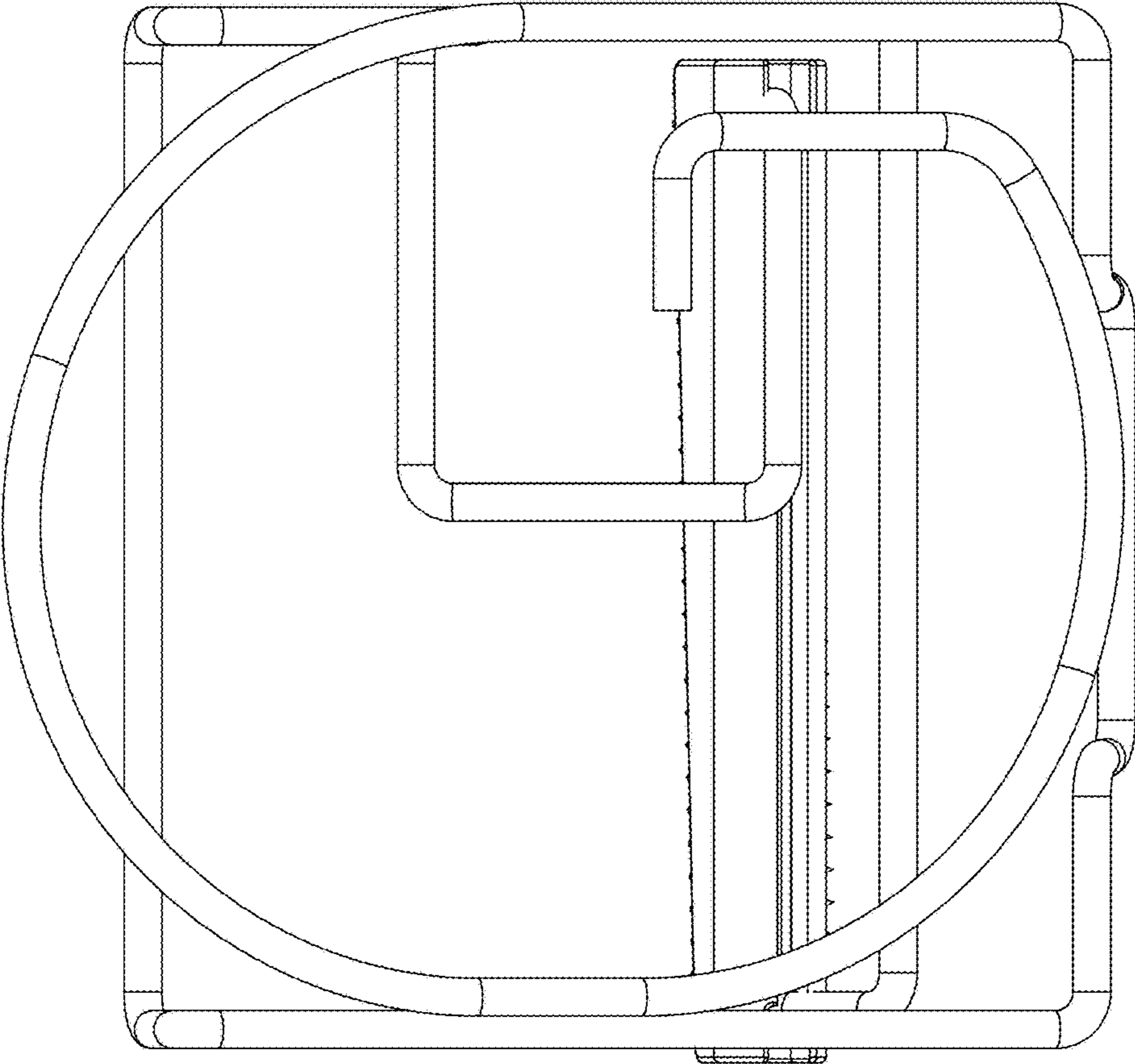


FIGURE 4

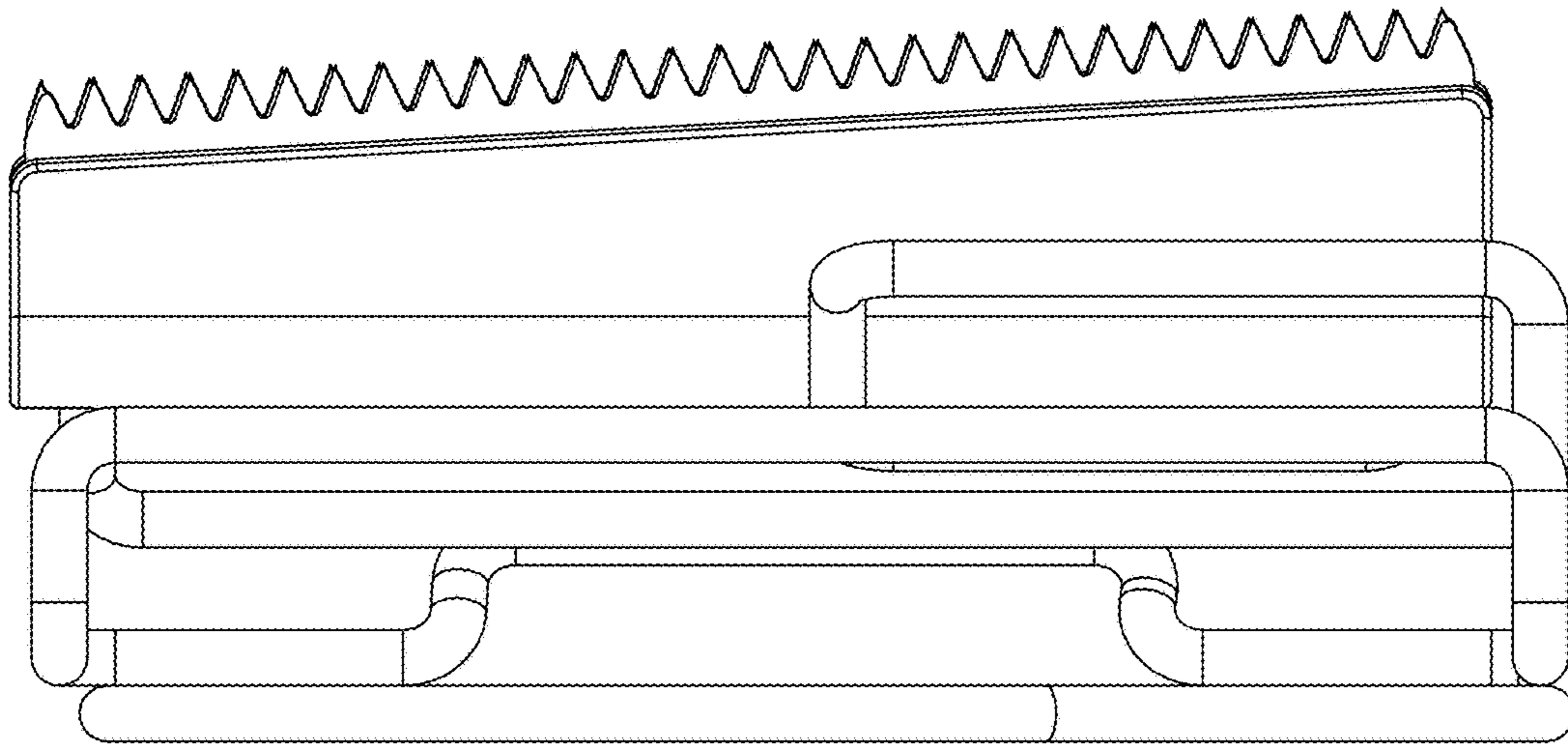


FIGURE 5

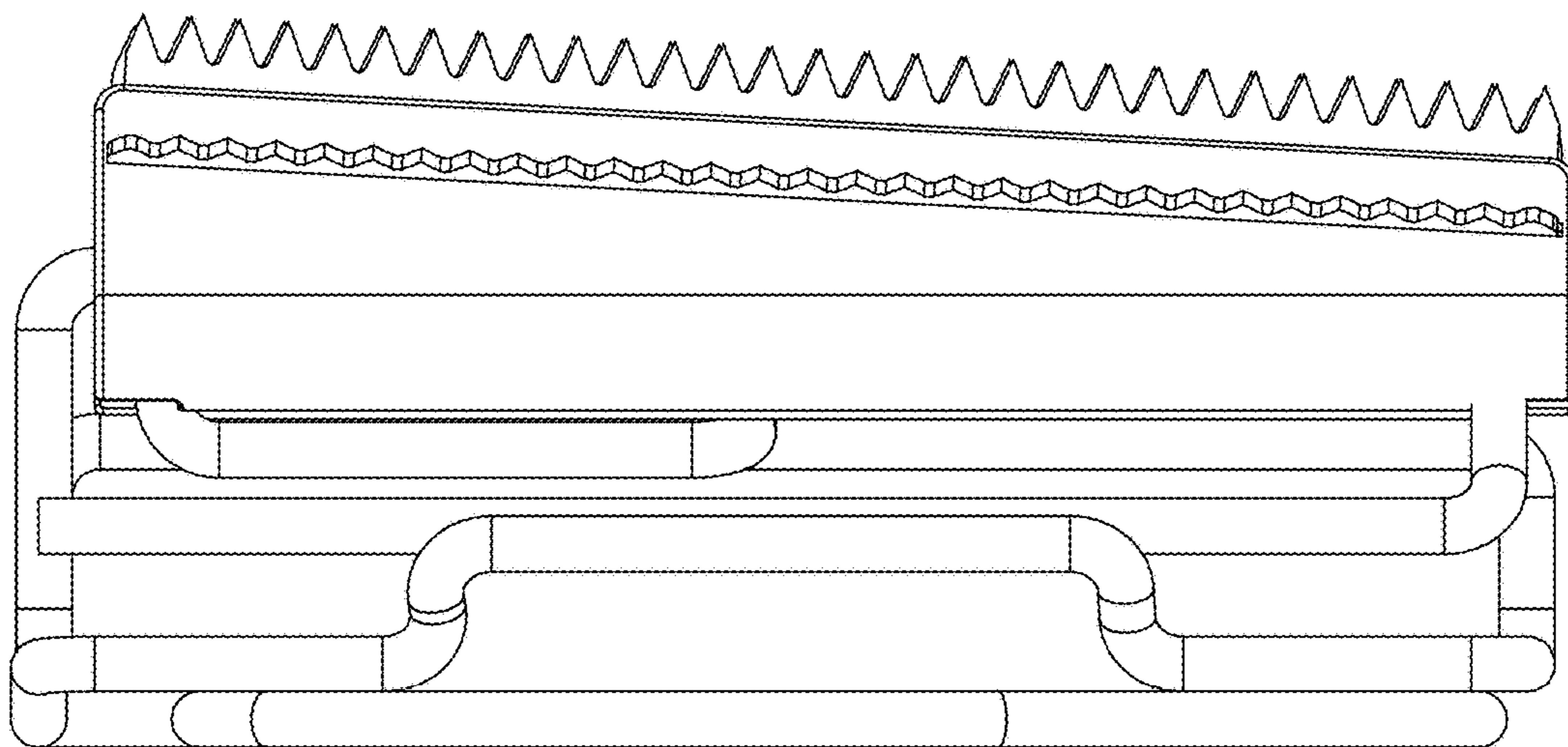


FIGURE 6

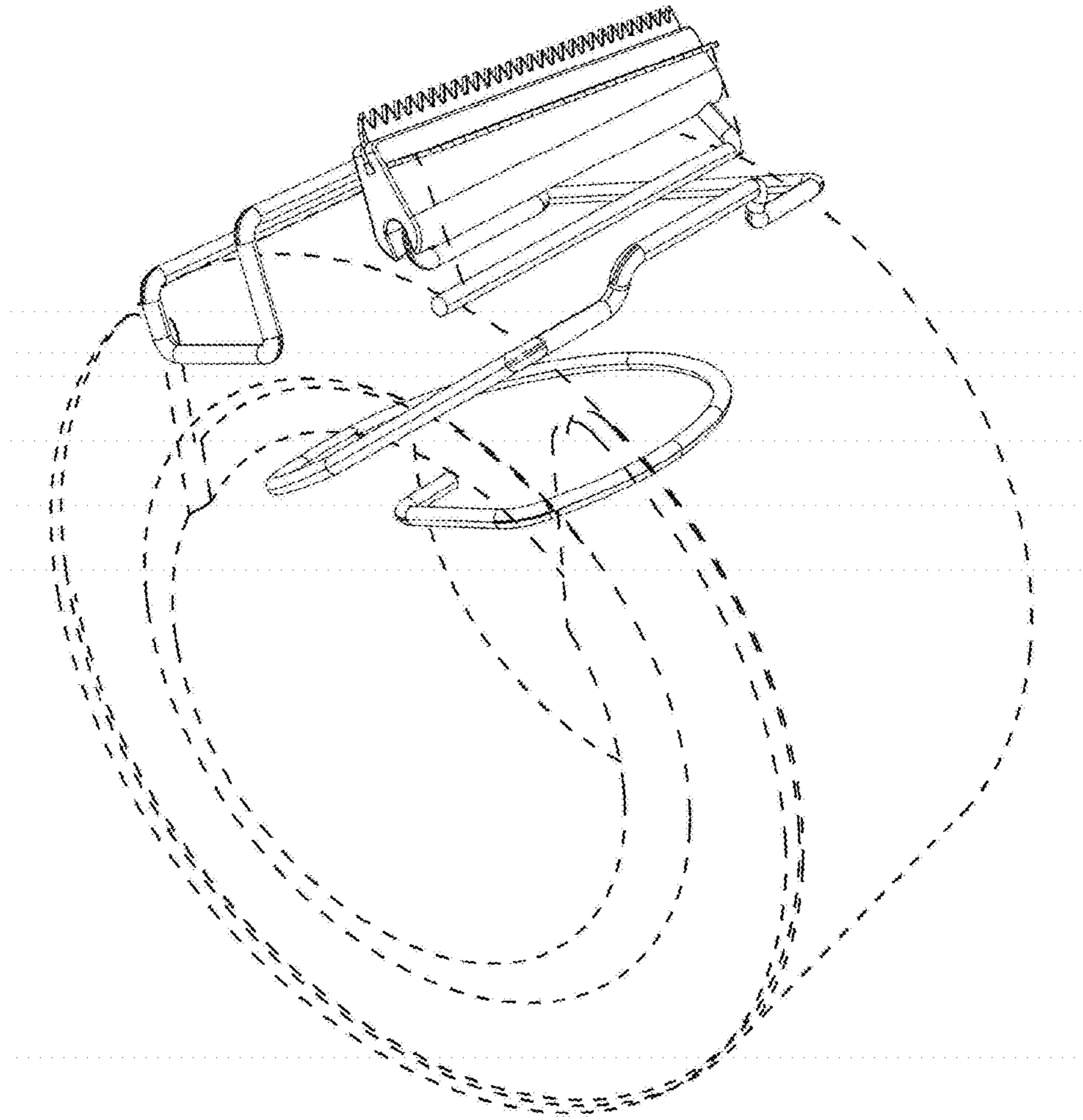


FIGURE 7

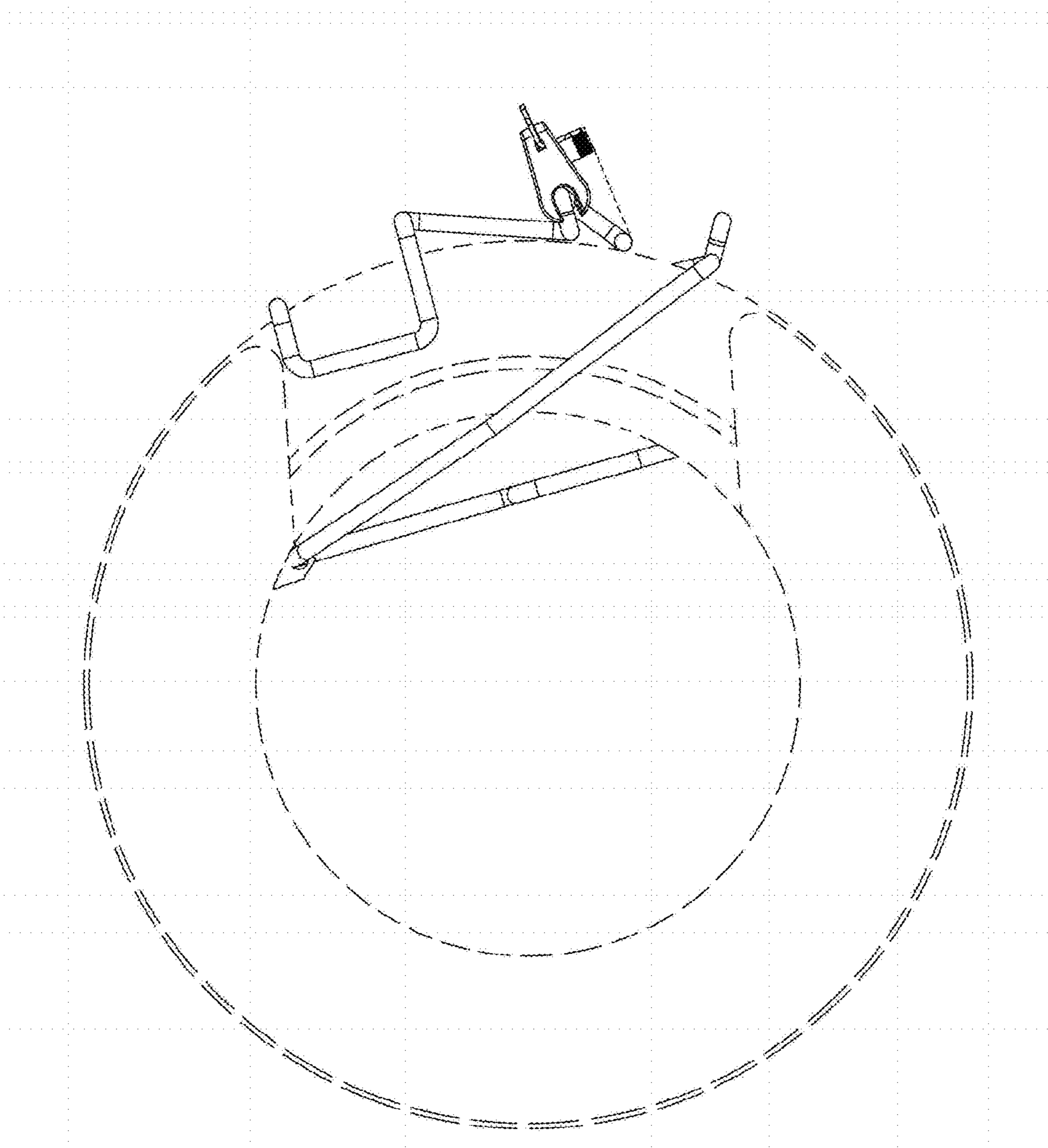


FIGURE 8

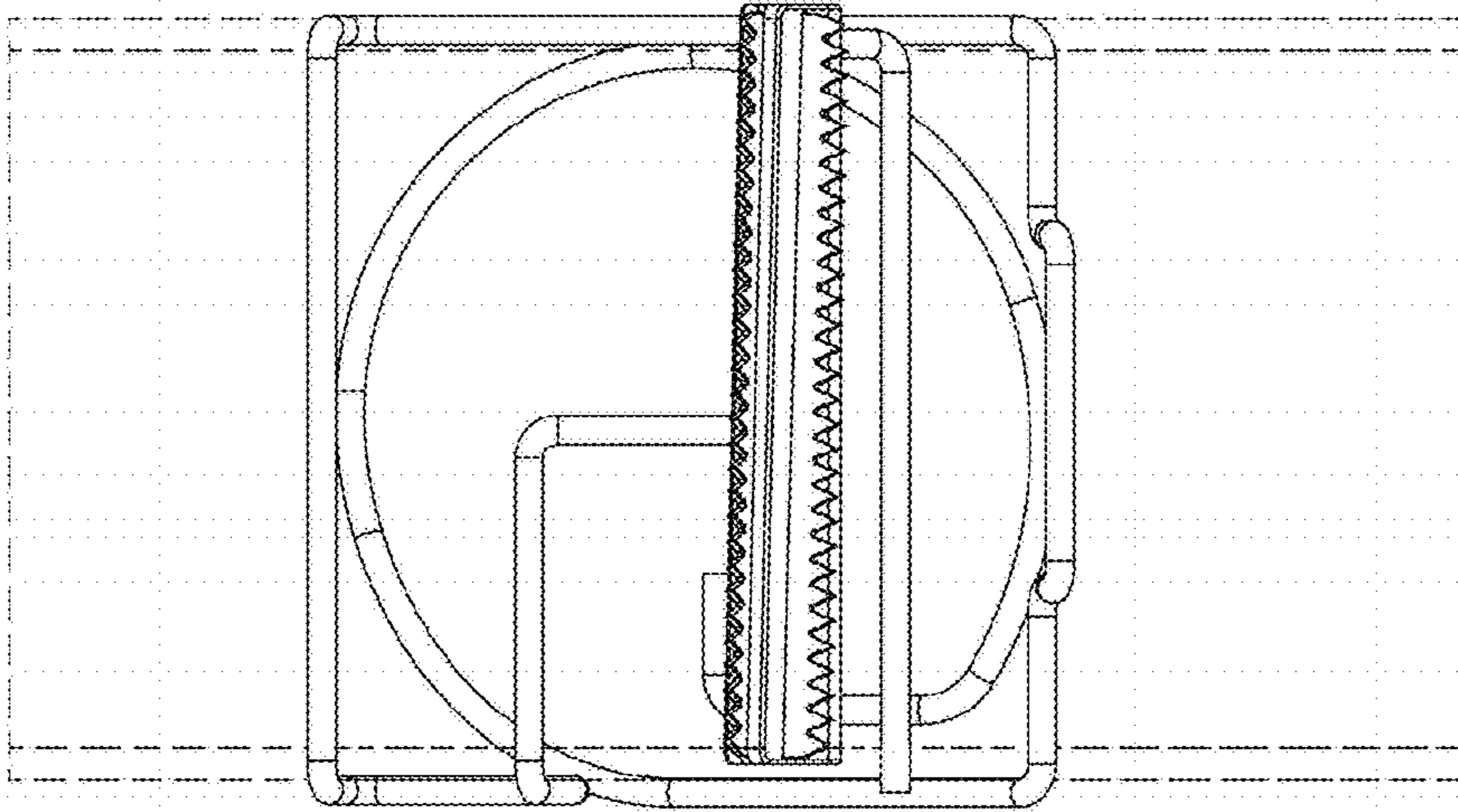


FIGURE 9

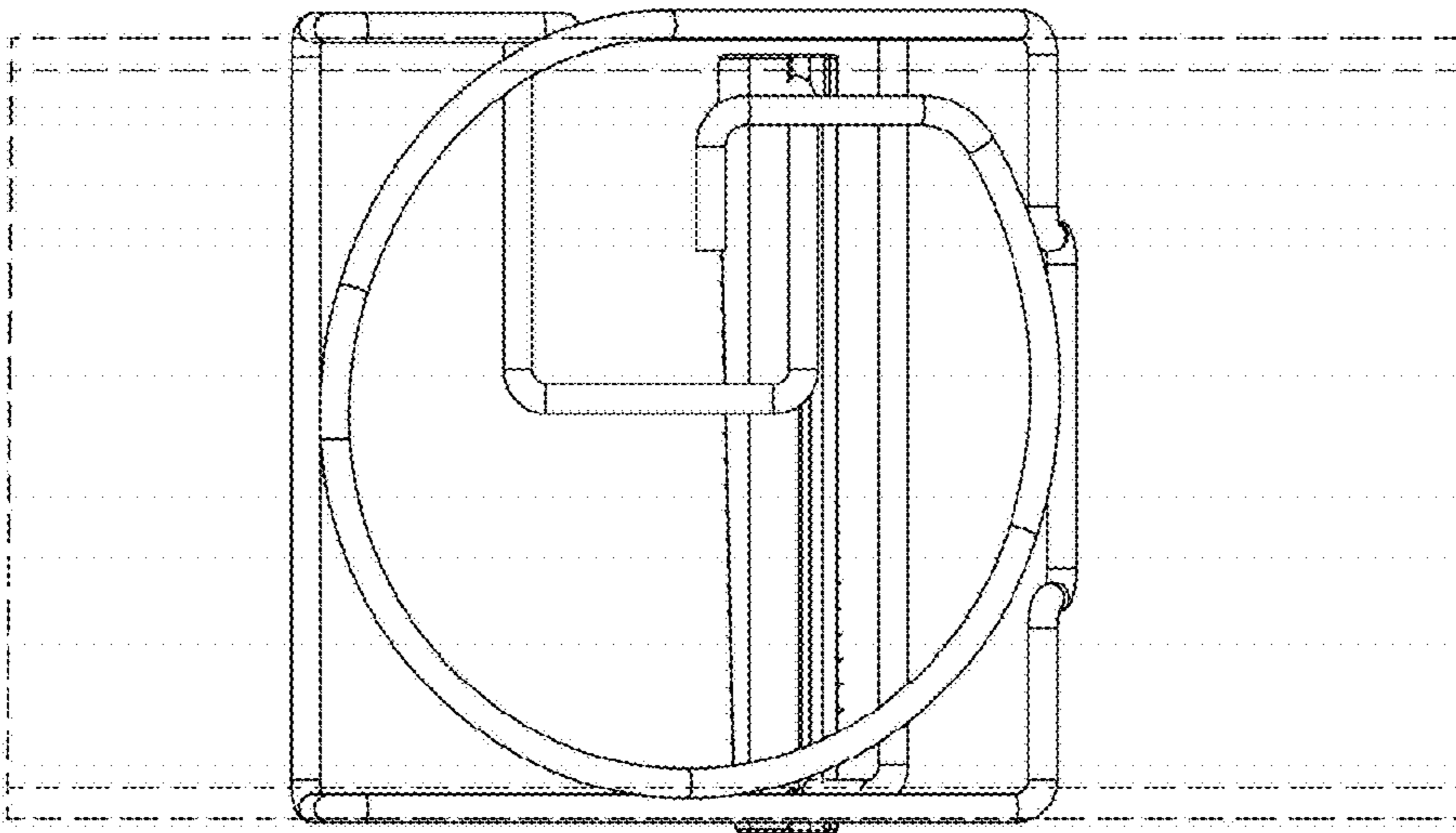


FIGURE 10

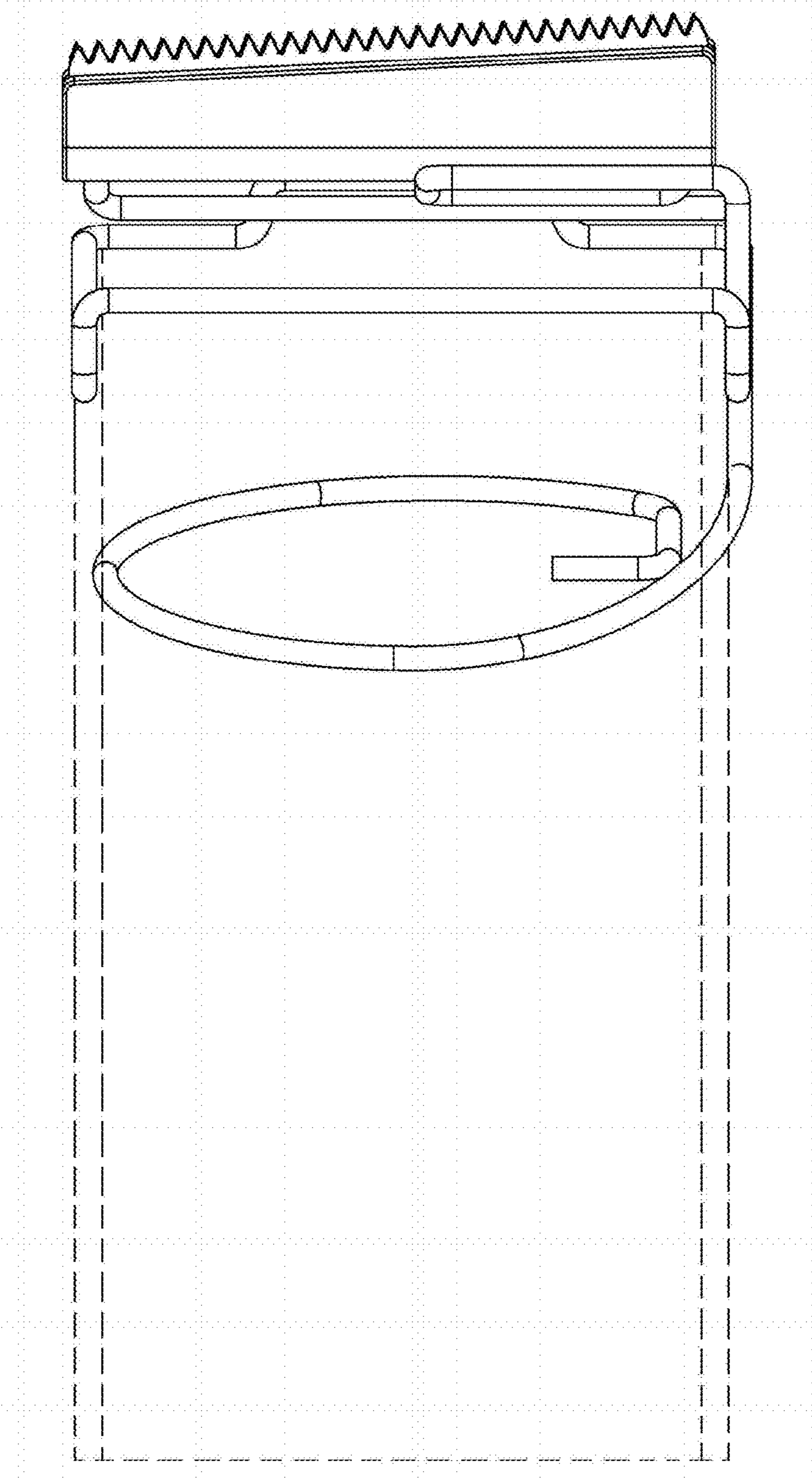


FIGURE 11

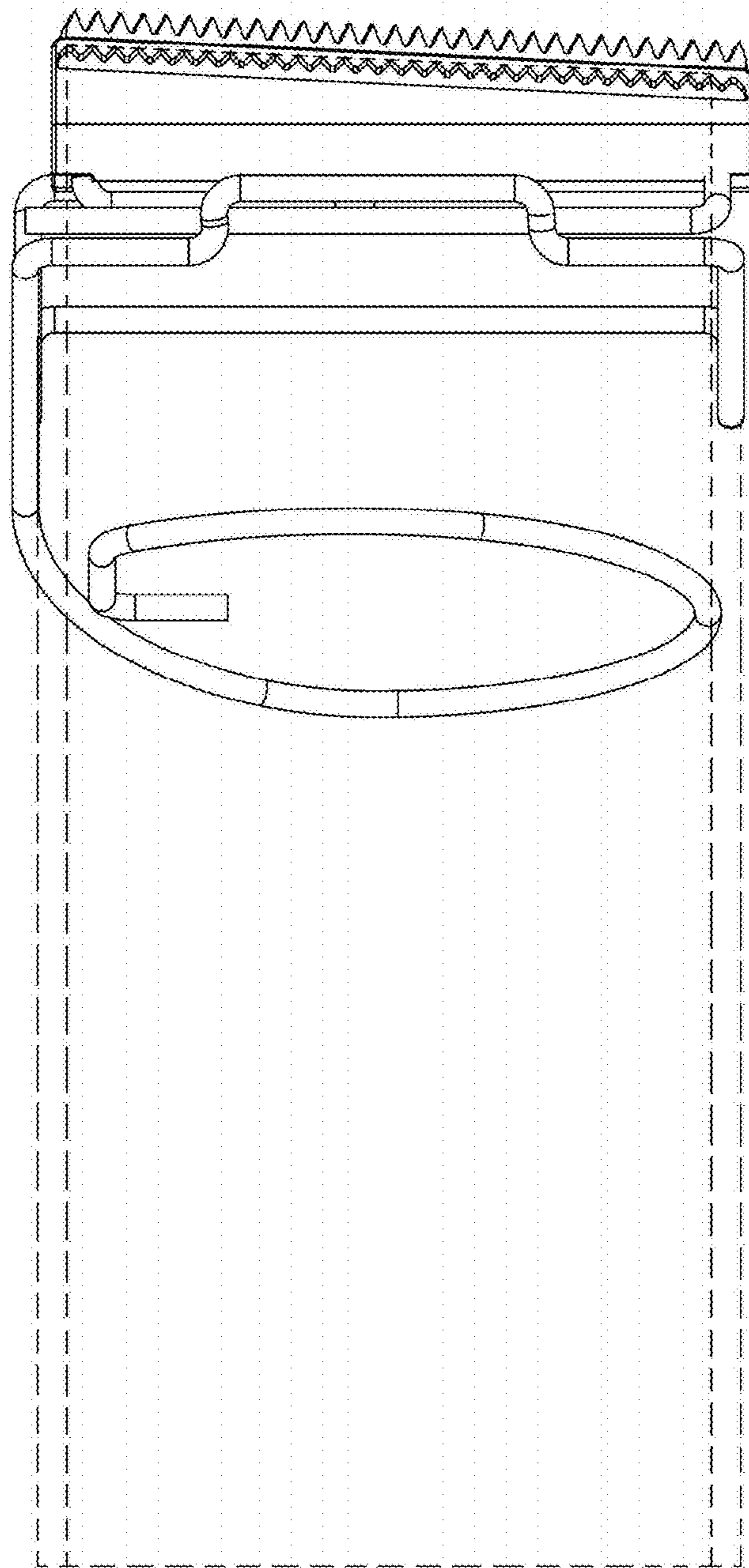


FIGURE 12