



US00D851697S

(12) **United States Design Patent**
Qiu et al.

(10) **Patent No.:** **US D851,697 S**
(45) **Date of Patent:** **** Jun. 18, 2019**

(54) **TABLET**

(71) Applicant: **Clover Network, Inc.**, Sunnyvale, CA (US)
(72) Inventors: **Sam Niansheng Qiu**, Palo Alto, CA (US); **Siva Raja Sekhar Reddy Yeruva**, Menlo Park, CA (US); **Eric David Fuhs**, Sunnyvale, CA (US); **John Daniel Beatty**, Emerald Hills, CA (US); **Vincent Durieux**, Campbell, CA (US); **David Feicher**, Redwood City, CA (US); **David Frederick Lyons**, Palo Alto, CA (US); **Christopher Loew**, Palo Alto, CA (US)

(73) Assignee: **Clover Network, Inc.**, Sunnyvale, CA (US)

(**) Term: **15 Years**

(21) Appl. No.: **29/628,323**

(22) Filed: **Dec. 4, 2017**

(51) **LOC (11) Cl.** **18-01**

(52) **U.S. Cl.**
USPC **D18/4.6; D14/385**

(58) **Field of Classification Search**
USPC ... D18/4.4, 4.5, 4.6, 2, 11, 4, 19–21, 50, 54, D18/99; D14/338, 339, 341, 383, 385, D14/386, 388, 426, 453–455, 496, 137, D14/138 R, 138 G, 154, 168, 218, 248, D14/299, 900, 901, 902, 336, 387, 347; D10/46, 61, 62, 70, 104.1, 104.2, 106.2, D10/106.6, 65, 66; D20/1; D13/168; D3/247
CPC H04W 8/22; H04W 52/0225; H04W 52/0254; G07F 7/088; G07F 7/0873; G07F 7/0886; G07F 7/0893; G07F 7/1025; G07F 7/1041; G07G 1/0009; G07G 1/0018; G06F 1/1626; G06F 1/1633

See application file for complete search history.

(56) **References Cited**

U.S. PATENT DOCUMENTS

D367,044 S *	2/1996	Arakaki	D18/4.6
D377,167 S *	1/1997	High, Sr.	D14/387
D379,825 S *	6/1997	Droege	D18/4.6
D381,675 S *	7/1997	Droege	D18/4.6
D414,163 S *	9/1999	Hesselbach	D14/387
D448,770 S *	10/2001	Morimiya	D14/385
D480,731 S *	10/2003	Becker	D14/302
D598,024 S *	8/2009	Scott	D14/432
D618,355 S *	6/2010	Delaey	D24/158

(Continued)

Primary Examiner — Marie D. Fast Horse

(74) *Attorney, Agent, or Firm* — Eric Scheuerlein; Daylight Law, P.C.

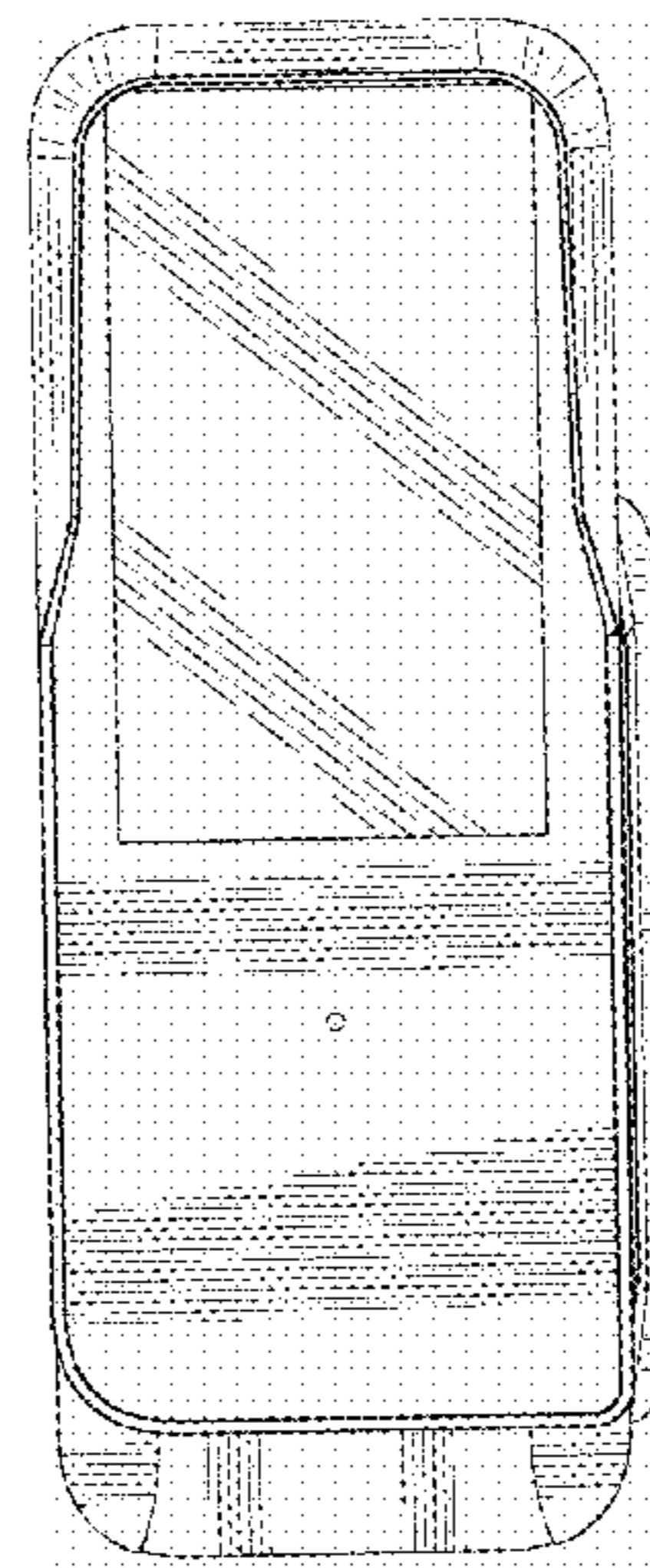
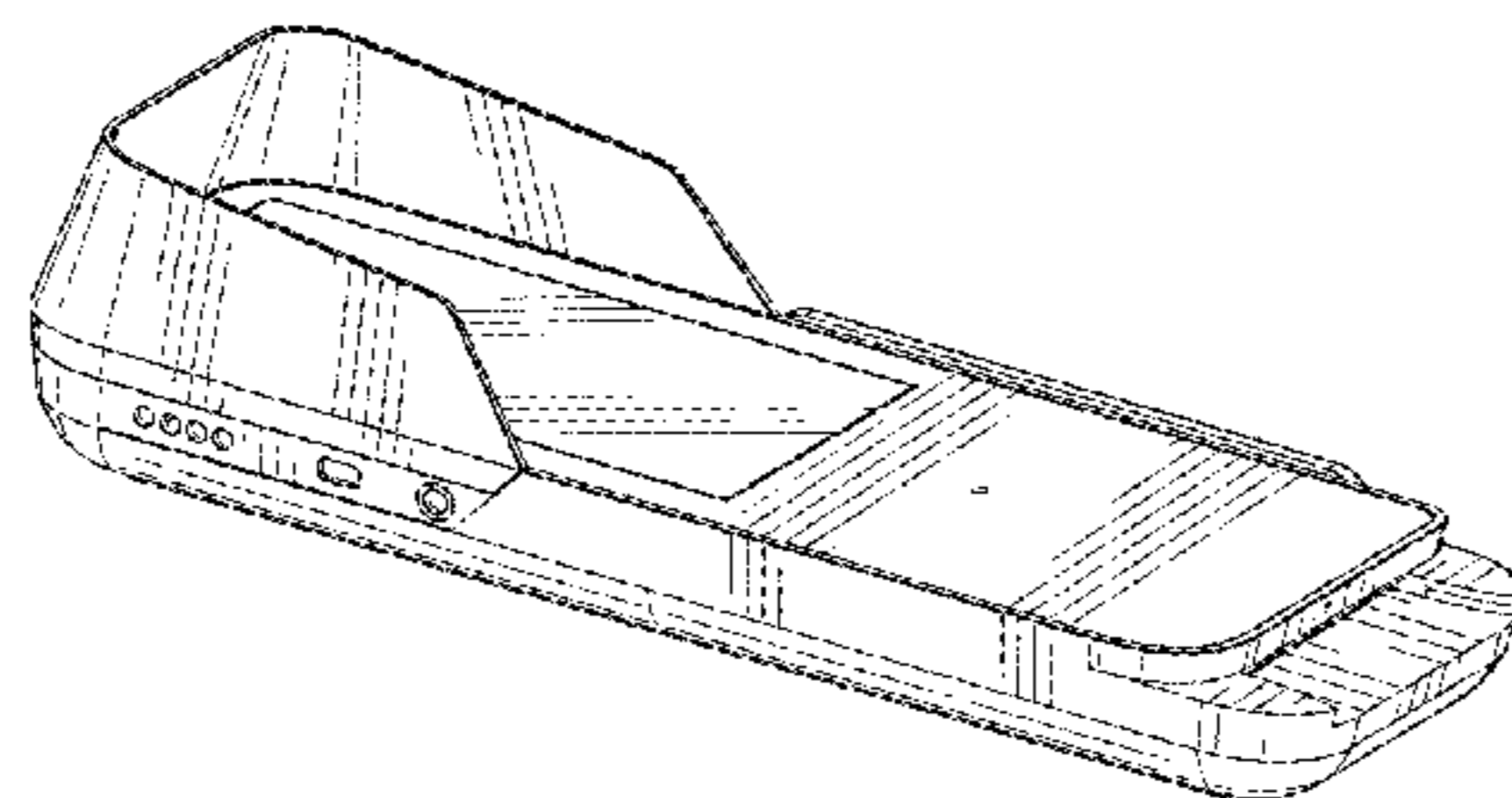
(57) **CLAIM**

The ornamental design for a tablet, as shown and described.

DESCRIPTION

FIG. 1 is a top-left perspective view of a tablet showing our new design;
FIG. 2 is a top-right perspective view thereof;
FIG. 3 is a front view thereof;
FIG. 4 is a back view thereof;
FIG. 5 is a left-side view thereof;
FIG. 6 is a right-side view thereof;
FIG. 7 is a top view thereof; and
FIG. 8 is a bottom view thereof; and,
FIG. 9 is a top-right perspective view of the design shown in a position for use with environmental stand and cabling. The broken lines in FIG. 9 showing the stand and cabling depict environmental subject matter only and form no part of the claimed design, while the broken lines in FIG. 4 depict portions of the tablet that form no part of the claimed design.

1 Claim, 8 Drawing Sheets



(56)

References Cited

U.S. PATENT DOCUMENTS

D624,114 S *	9/2010	Ausems	G07F 7/0886	D18/4.6
D624,115 S *	9/2010	Ausems	G07F 7/0886	D18/4.6
D626,550 S *	11/2010	Julien		D14/341
D638,012 S *	5/2011	Tian		D18/4.6
D648,374 S *	11/2011	Hidaka		D18/4.4
D672,386 S *	12/2012	Matunuma		D18/4.6
D681,036 S *	4/2013	Taunay da Graca Couto		D14/385
D681,639 S *	5/2013	Cruz		D14/385
D682,830 S *	5/2013	Taunay da Graca Couto		D14/385
D684,574 S *	6/2013	Taunay da Graca Couto		D14/385
D691,152 S *	10/2013	Meisel		D14/385
D692,885 S *	11/2013	Cruz		D14/307
D698,384 S *	1/2014	Cruz		D18/4.4
D703,670 S *	4/2014	Rotsaert		D14/307
D705,346 S *	5/2014	Blacken		D18/14
D706,337 S *	6/2014	Blacken		D18/14
D707,676 S *	6/2014	Azuma		D14/307
D707,677 S *	6/2014	Azuma		D14/307
D709,069 S *	7/2014	Cruz		D14/385
D711,460 S *	8/2014	Schwarzkopf		D18/4.6
D716,300 S *	10/2014	Cruz		D14/385
D716,370 S *	10/2014	Park		D18/4.4
D716,372 S *	10/2014	Lee		D18/4.6
D723,031 S *	2/2015	Rawal		D14/385
D725,109 S *	3/2015	Azuma		D14/385
D745,599 S *	12/2015	Tanaka		D18/19
9,323,961 B2 *	4/2016	Azuma		G07F 7/088
D762,766 S *	8/2016	Bedier		D18/4.4
D763,956 S *	8/2016	Lee		D18/50
D764,458 S *	8/2016	Jobetto		D14/341
D765,767 S *	9/2016	Yeruva		D18/12.2
D771,033 S *	11/2016	Jobetto		D14/341
D777,246 S *	1/2017	Tanaka		D18/19
9,679,166 B2 *	6/2017	Yasutomi		G06F 21/86
D798,378 S *	9/2017	Kim		D18/4.6
D806,158 S *	12/2017	Yaginuma		D18/4.6
D808,289 S *	1/2018	Kim		D10/104.1
D810,817 S *	2/2018	Wang		D18/4.6
D813,863 S *	3/2018	Barea		D14/341
D820,825 S *	6/2018	Foster		D14/307
D821,398 S *	6/2018	Karlsson		D14/387
D823,935 S *	7/2018	Wang		D18/4.6
2012/0018288 A1 *	1/2012	Rollet		G06F 21/83
					200/5 A
2014/0347000 A1 *	11/2014	Hamann		G06F 1/189
					320/103
2016/0227663 A1 *	8/2016	Holmes		G06F 1/1603
2016/0335037 A1 *	11/2016	Baranowski		B41J 3/36
2017/0061746 A1 *	3/2017	Tanaka		G07F 7/0886
2018/0068300 A1 *	3/2018	Saeed		G07F 7/0886
2018/0150838 A1 *	5/2018	Ausems		G07F 7/0873

* cited by examiner

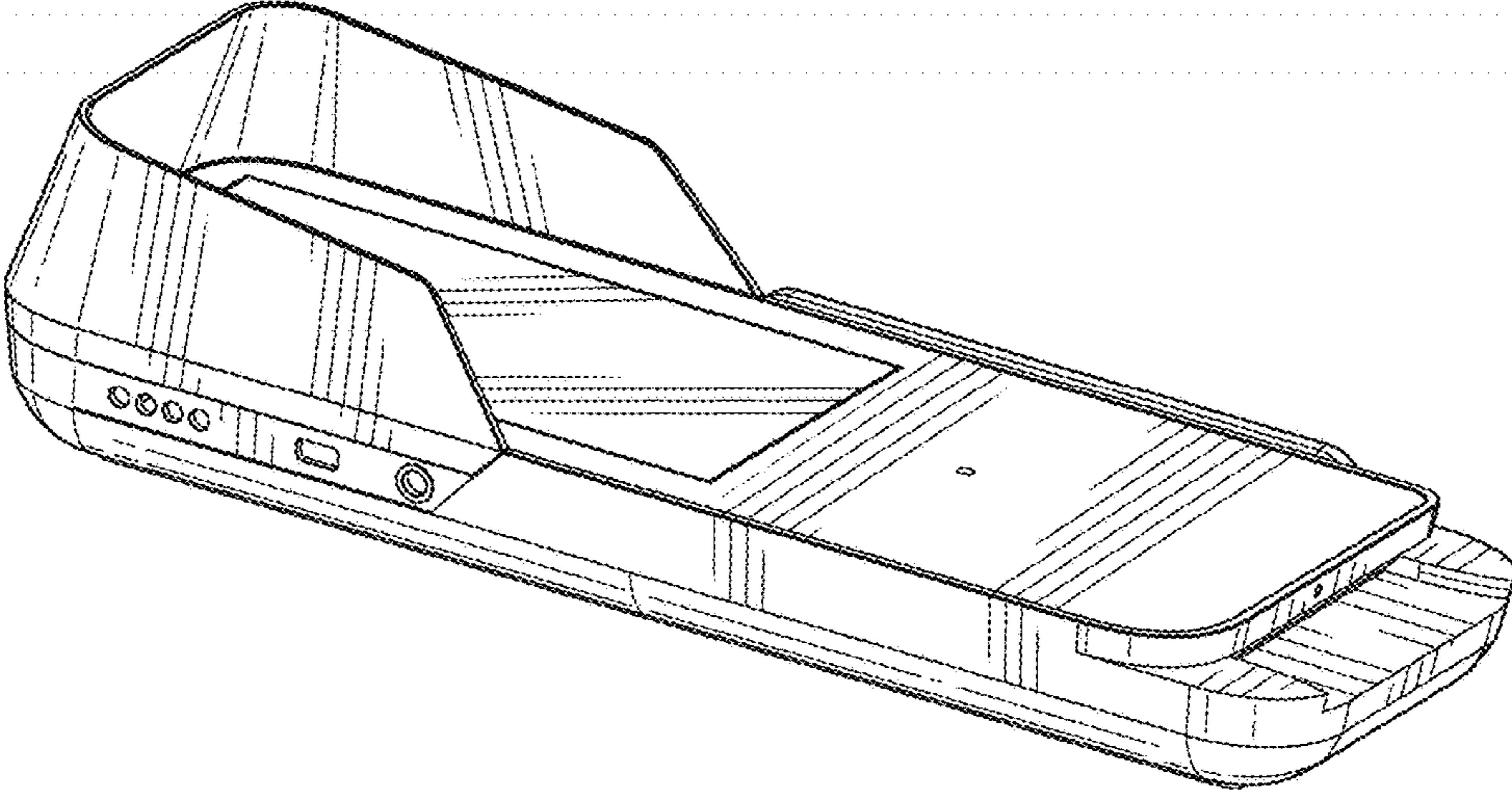


FIG. 1

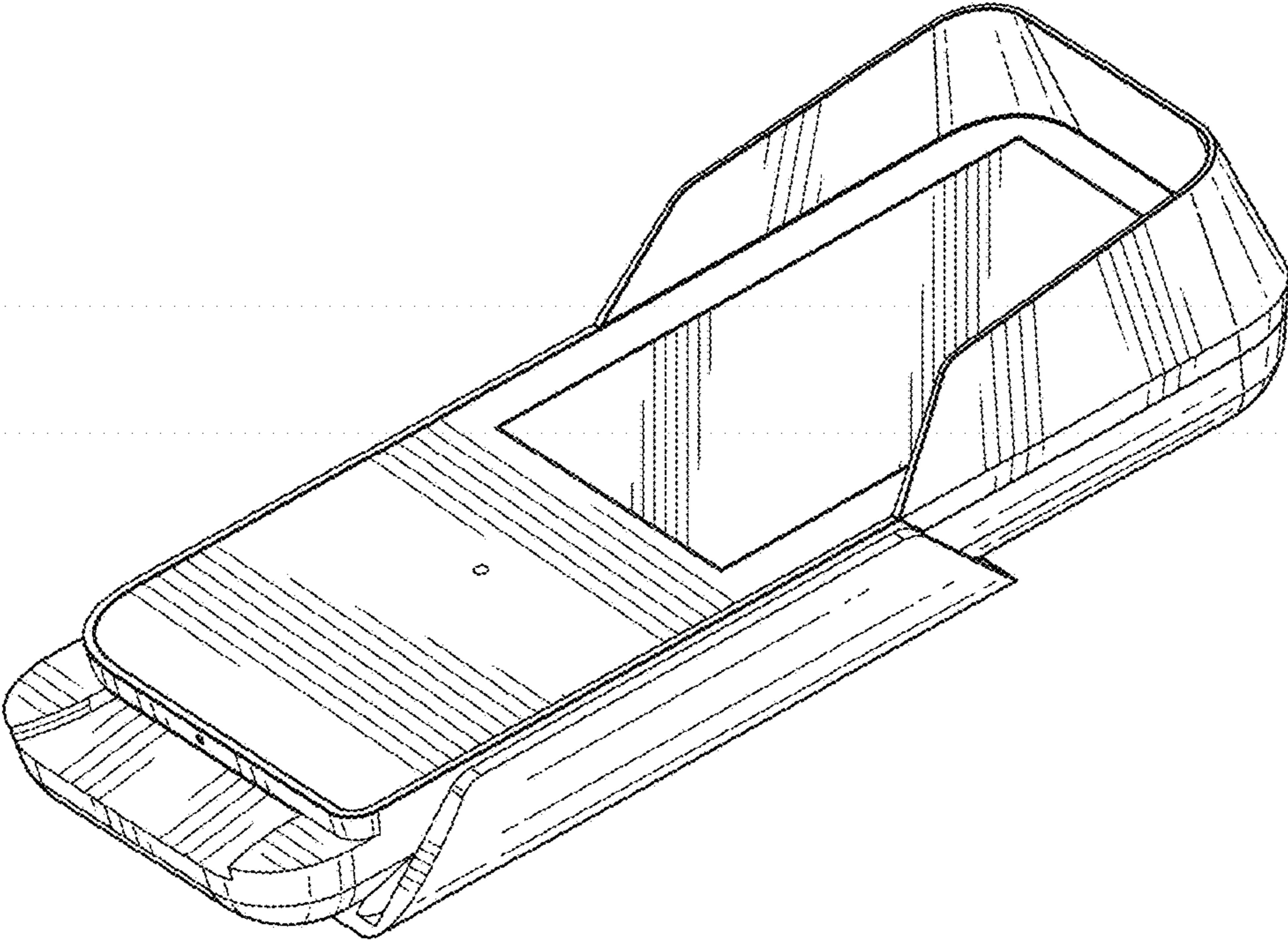


FIG. 2

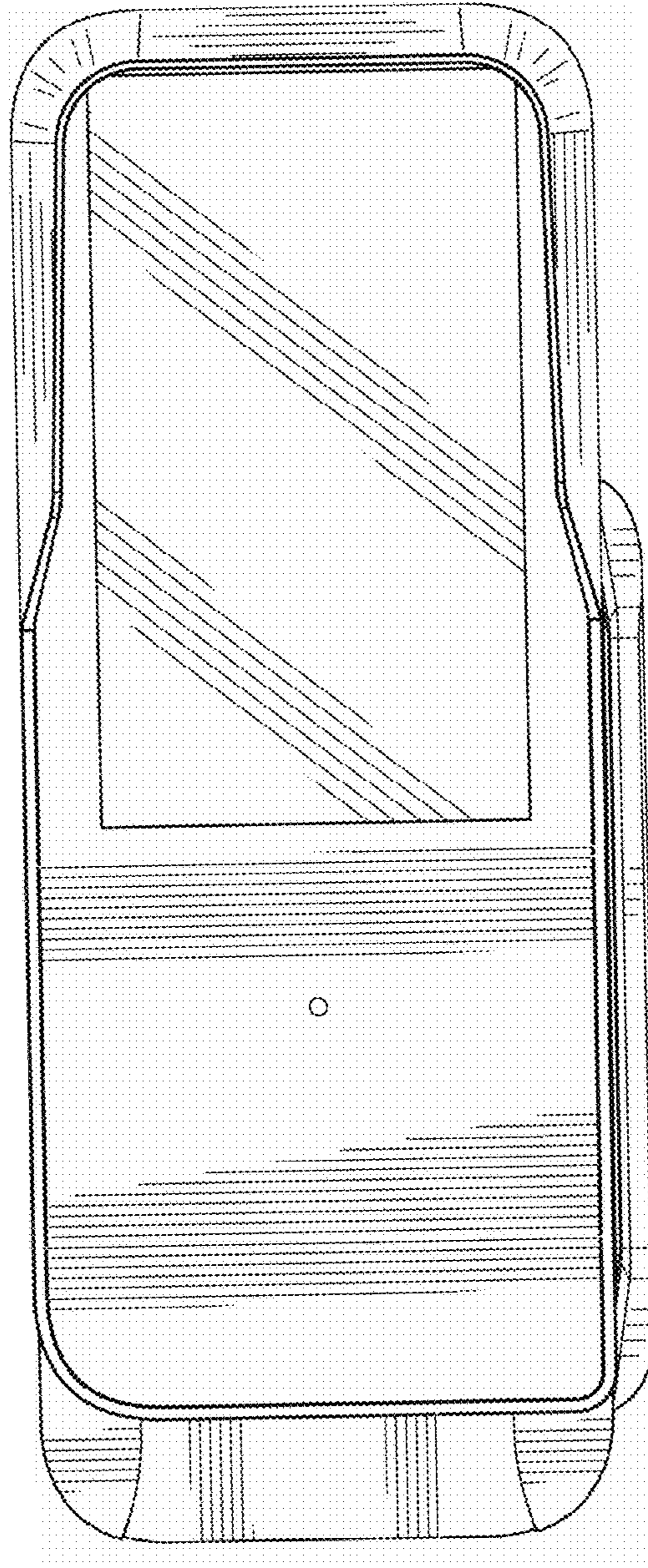


FIG. 3

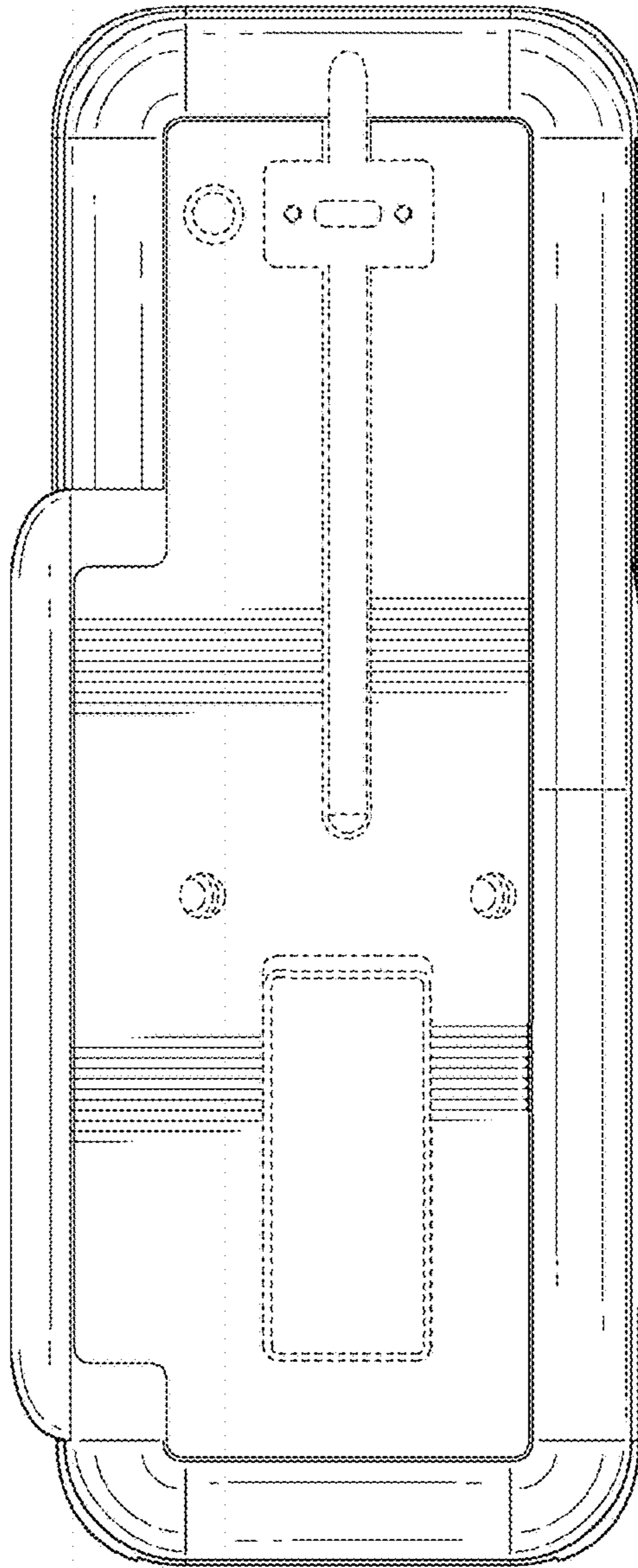


FIG. 4

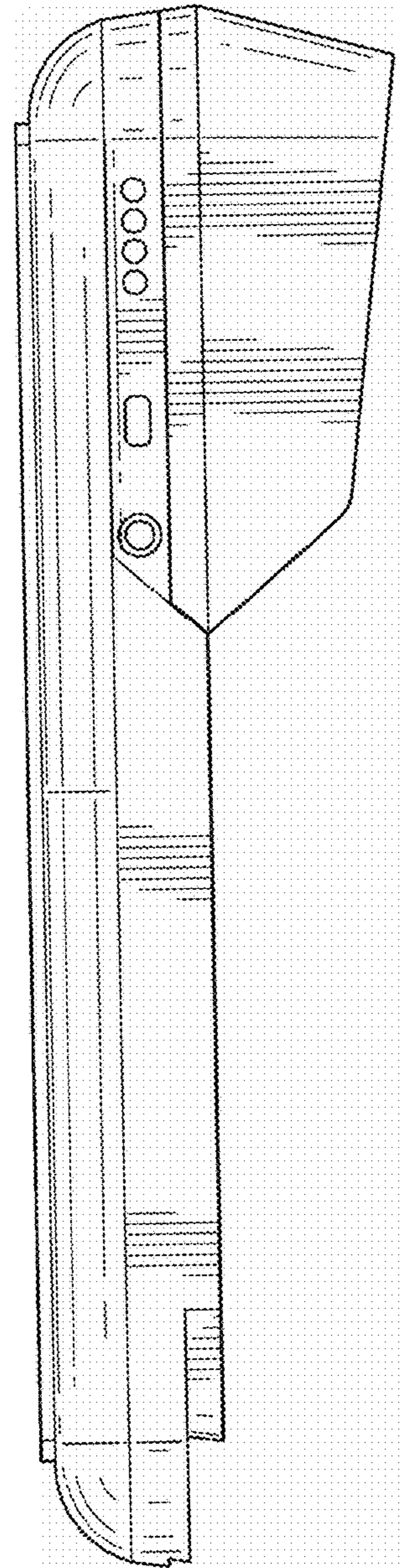


FIG. 5

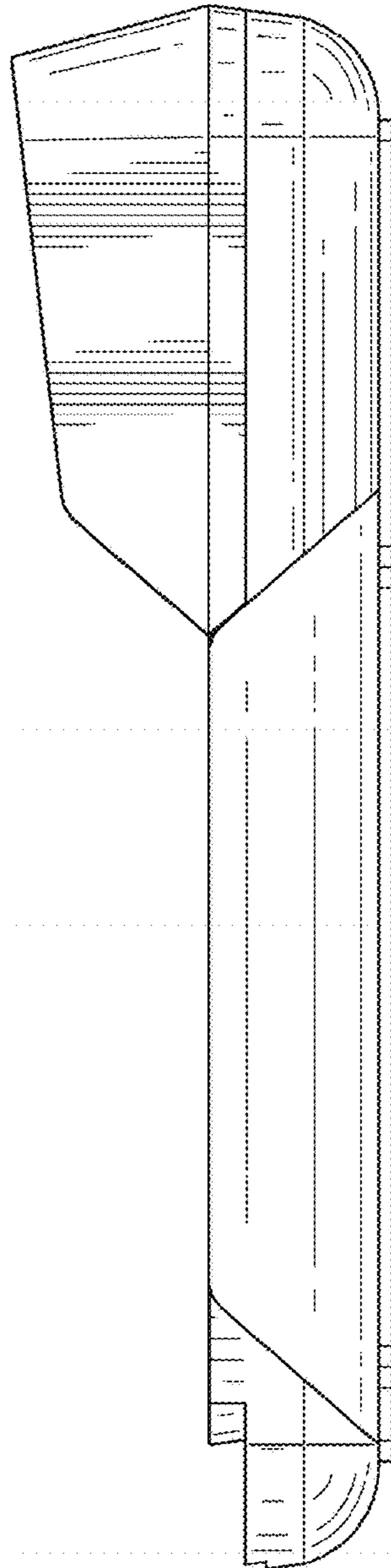


FIG. 6

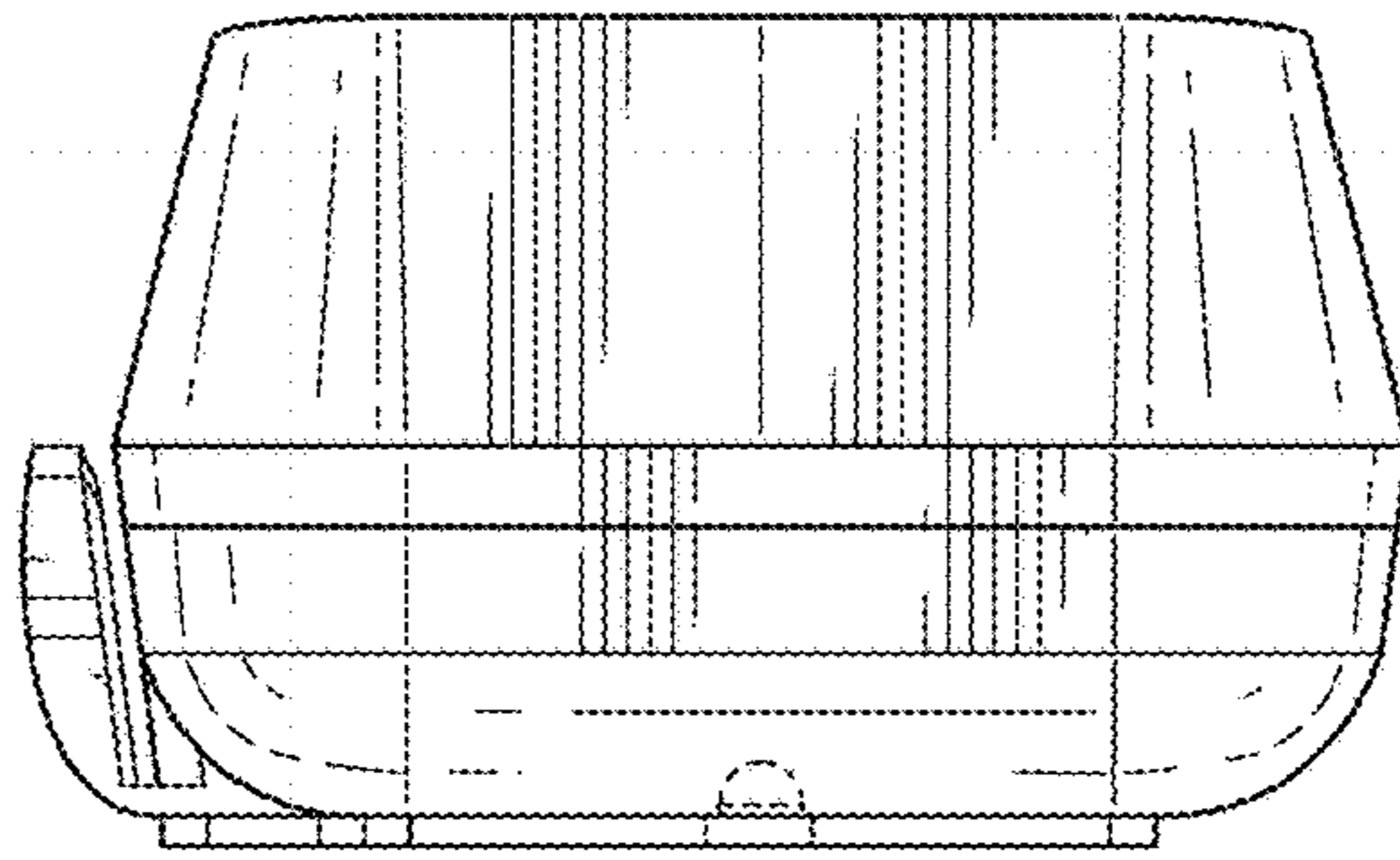


FIG. 7

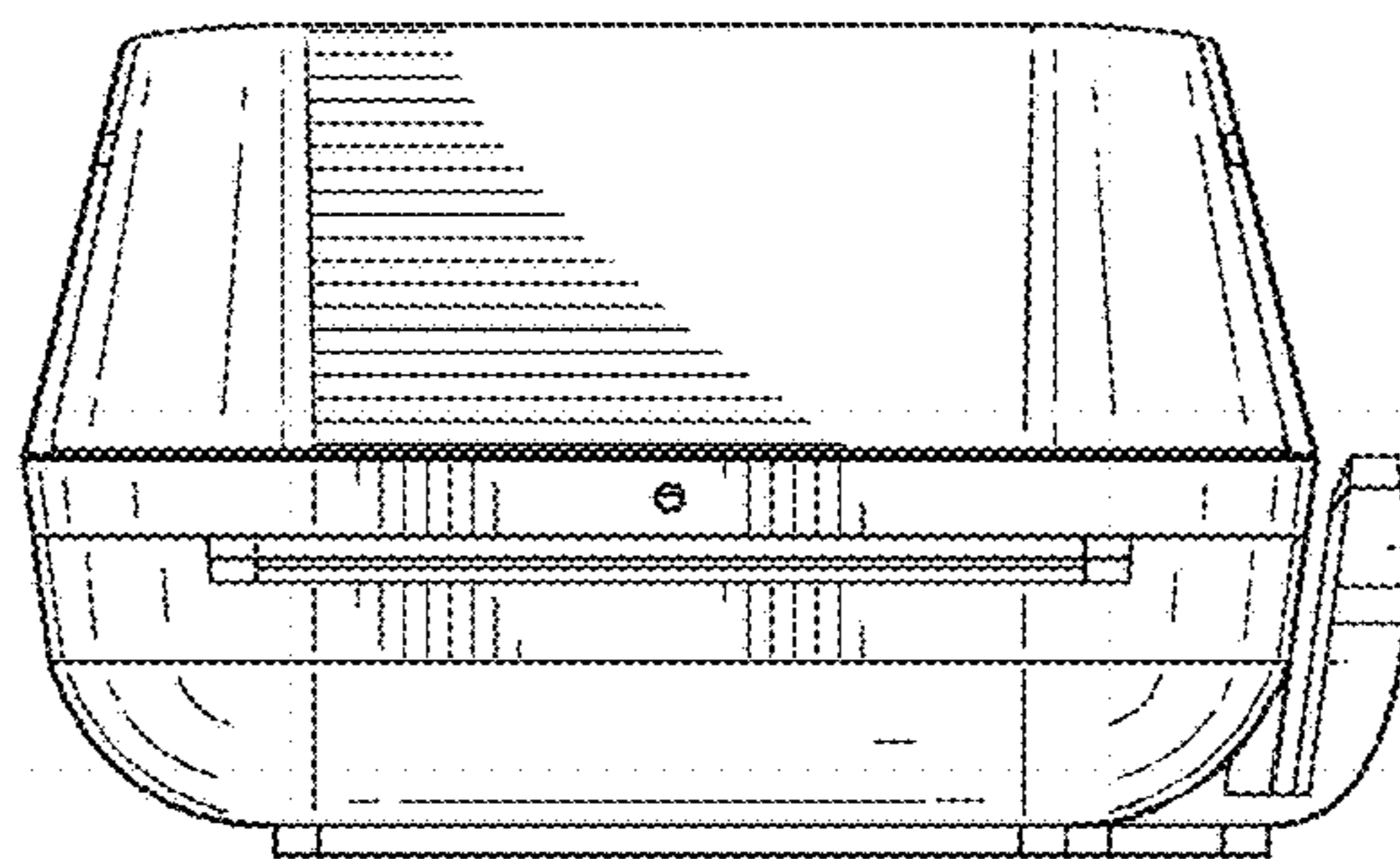


FIG. 8

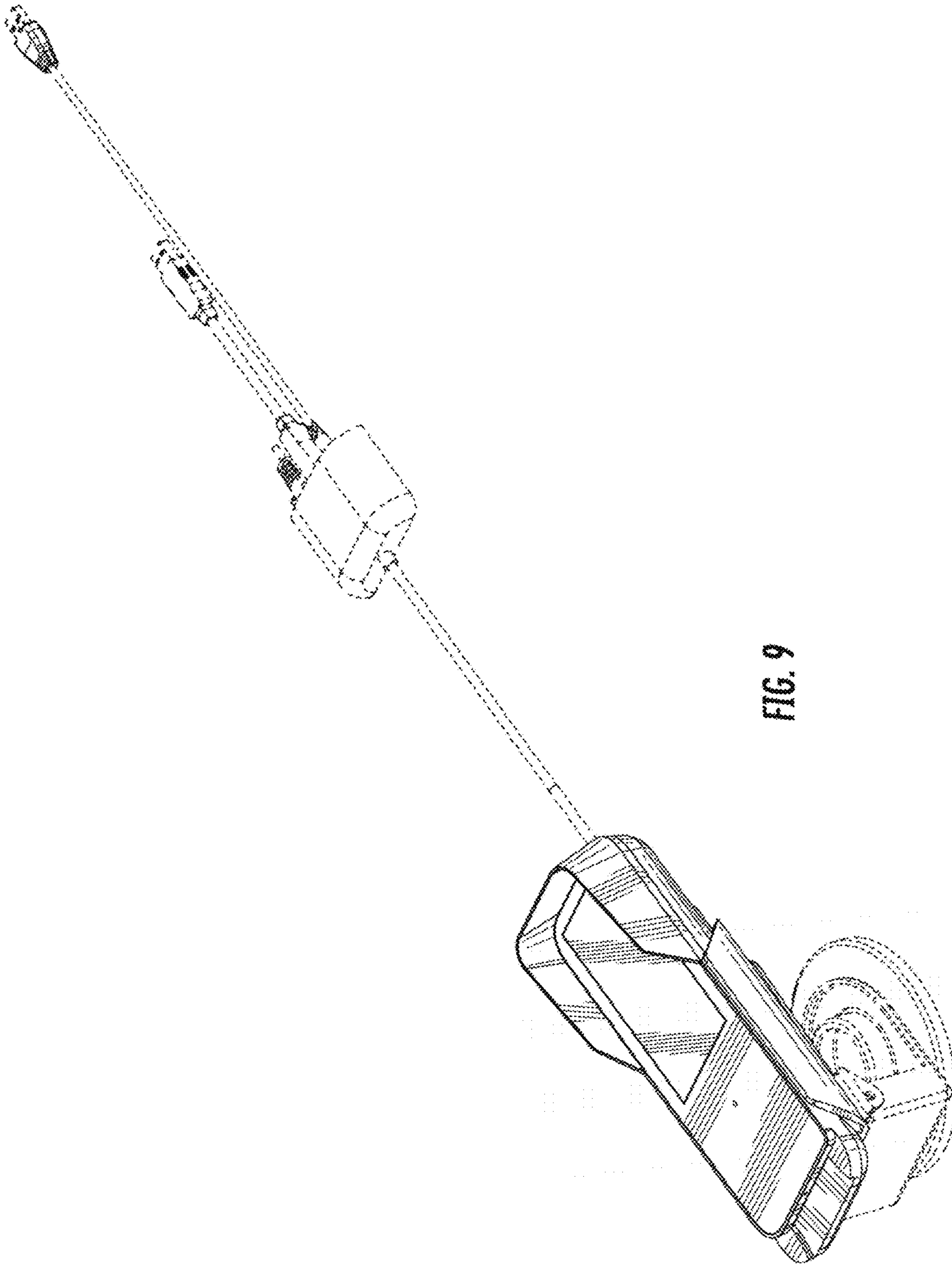


FIG. 9