



US00D851695S

(12) **United States Design Patent**
Wang

(10) **Patent No.:** **US D851,695 S**

(45) **Date of Patent:** **** Jun. 18, 2019**

(54) **PROJECTOR**

(71) Applicant: **Shenzhen Qianhai Value Online Ecommerce Co., Ltd.**, Guangdong (CN)

(72) Inventor: **Yan Wang**, Guangdong (CN)

(**) Term: **15 Years**

(21) Appl. No.: **29/617,242**

(22) Filed: **Sep. 13, 2017**

(30) **Foreign Application Priority Data**

Jun. 20, 2017 (EM) 004057255

(51) **LOC (11) Cl.** **16-02**

(52) **U.S. Cl.**
USPC **D16/230**

(58) **Field of Classification Search**
USPC D16/221, 225, 230–231, 234–235;
D21/514; D14/188, 168; D13/162
CPC G03B 21/145; G03B 21/14; G03B 21/12;
G03B 21/001; G03B 21/003; G03B 21/00
See application file for complete search history.

(56) **References Cited**

U.S. PATENT DOCUMENTS

D591,784 S * 5/2009 Inoue D16/230
D631,080 S * 1/2011 Han D16/225

D659,737 S * 5/2012 Inoue D16/225
D664,585 S * 7/2012 Senda D16/225
8,333,477 B2 * 12/2012 Kamiya G03B 21/14
353/119
D789,437 S * 6/2017 Kimura D16/225

* cited by examiner

Primary Examiner — Wan Laymon

(74) *Attorney, Agent, or Firm* — Prakash Nama; Global IP Services, PLLC

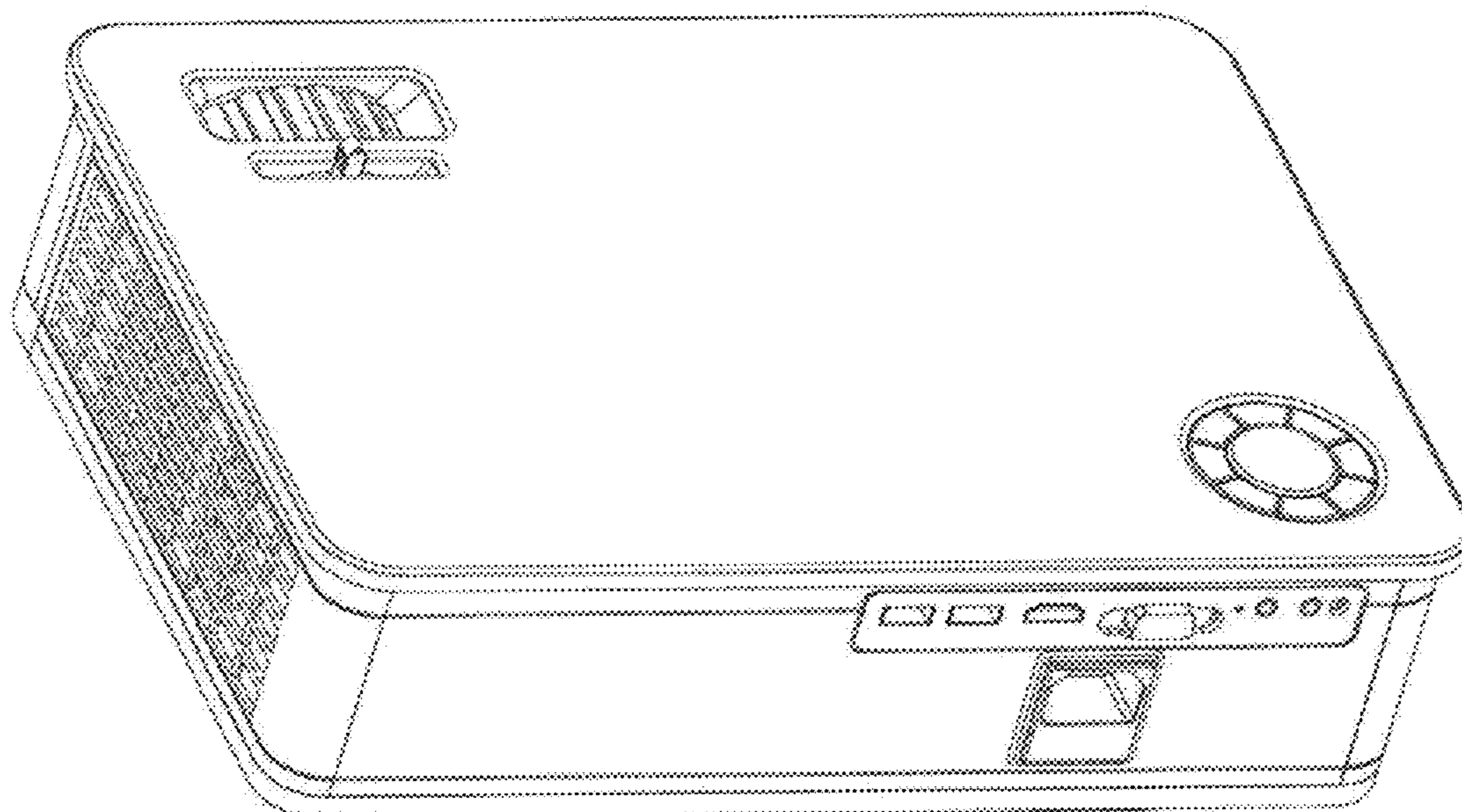
(57) **CLAIM**

The ornamental design for a projector, as shown and described.

DESCRIPTION

FIG. 1 is a front elevational view of a projector showing my new design;
FIG. 2 is a left side view thereof;
FIG. 3 is a right side view thereof;
FIG. 4 is a top plan view thereof,
FIG. 5 is a bottom plan view thereof; and,
FIG. 6 is a perspective view thereof.
The broken lines shown in projector form no part of the claimed design.

1 Claim, 4 Drawing Sheets



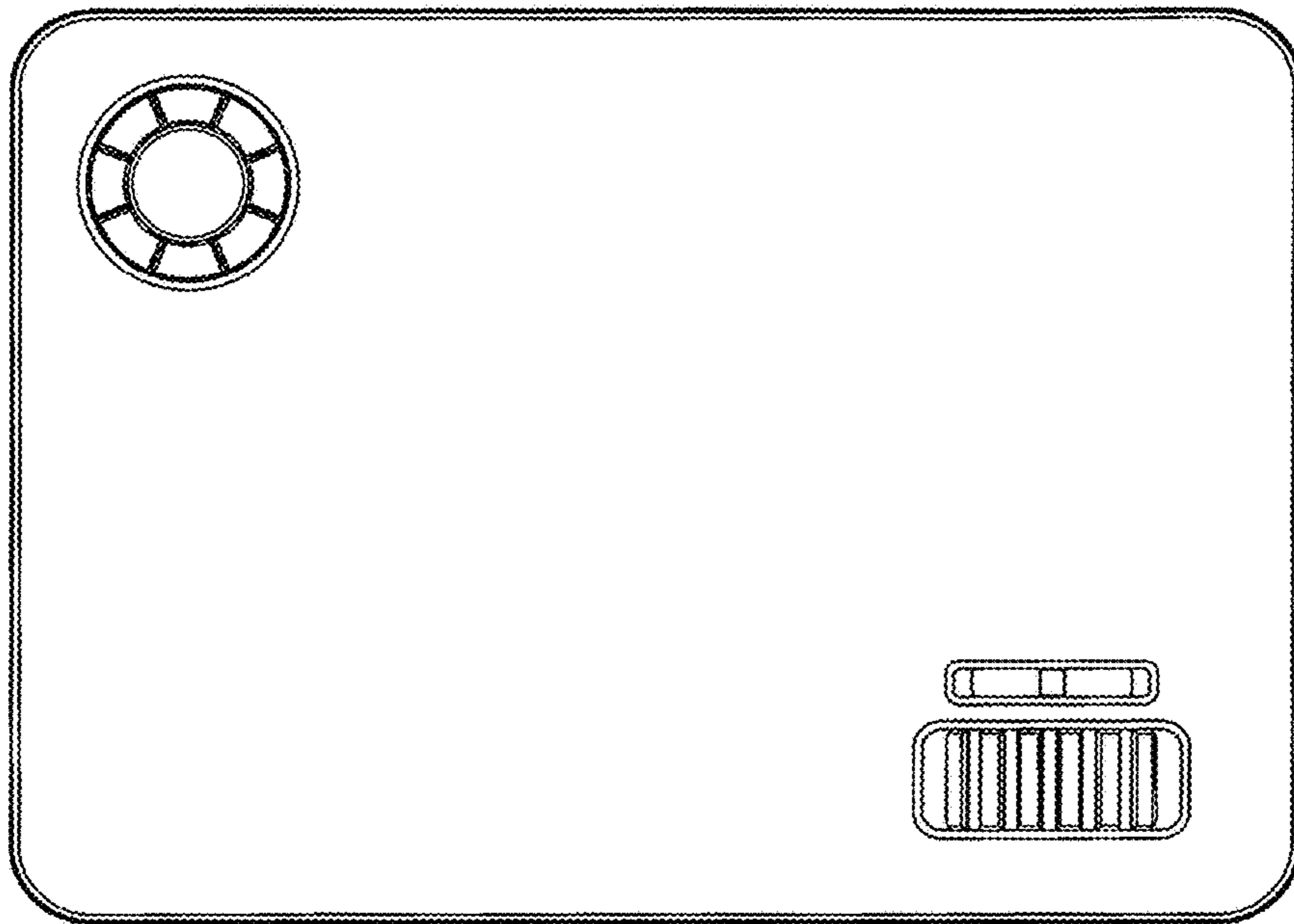


FIG.1

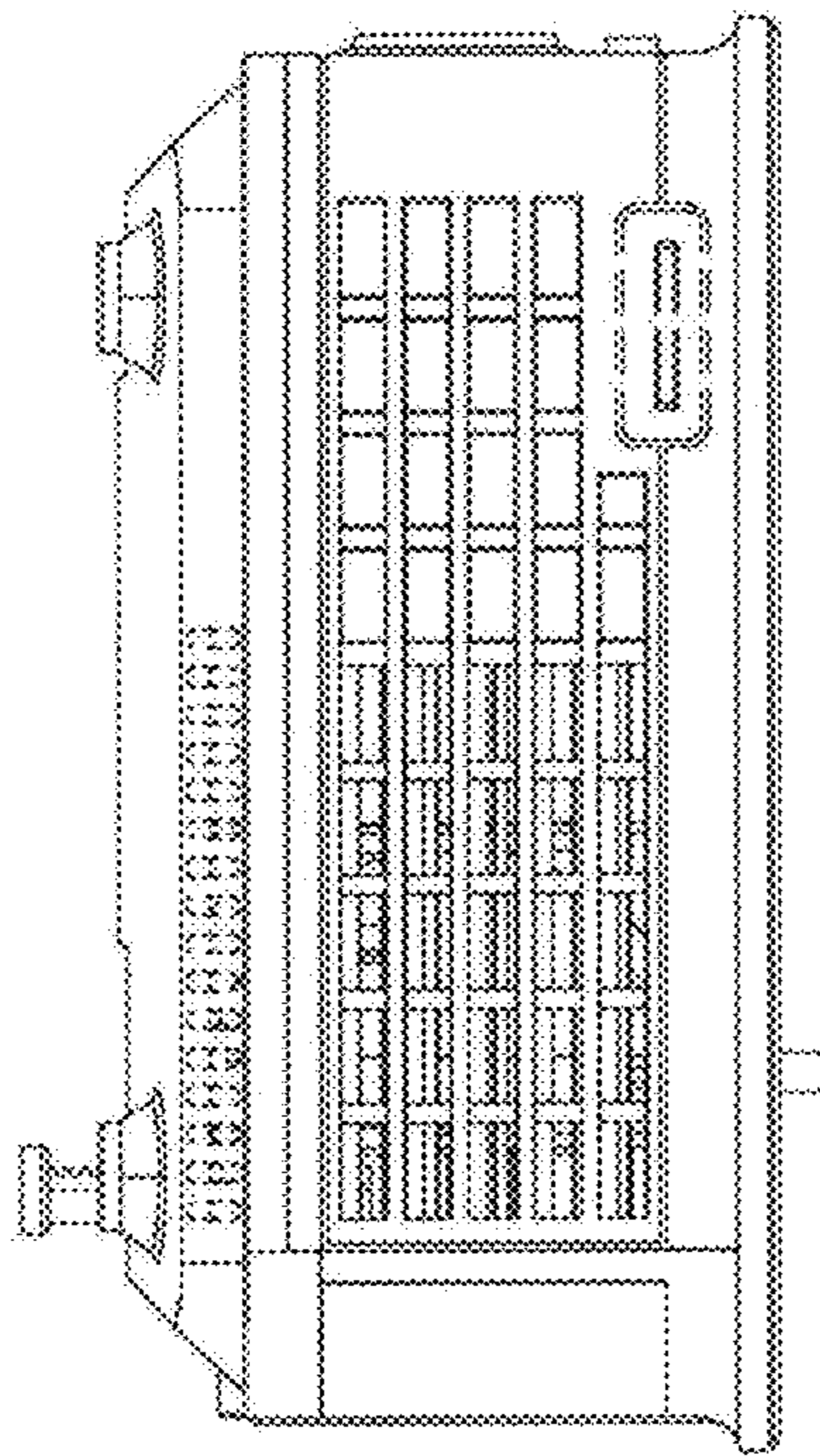


FIG. 2

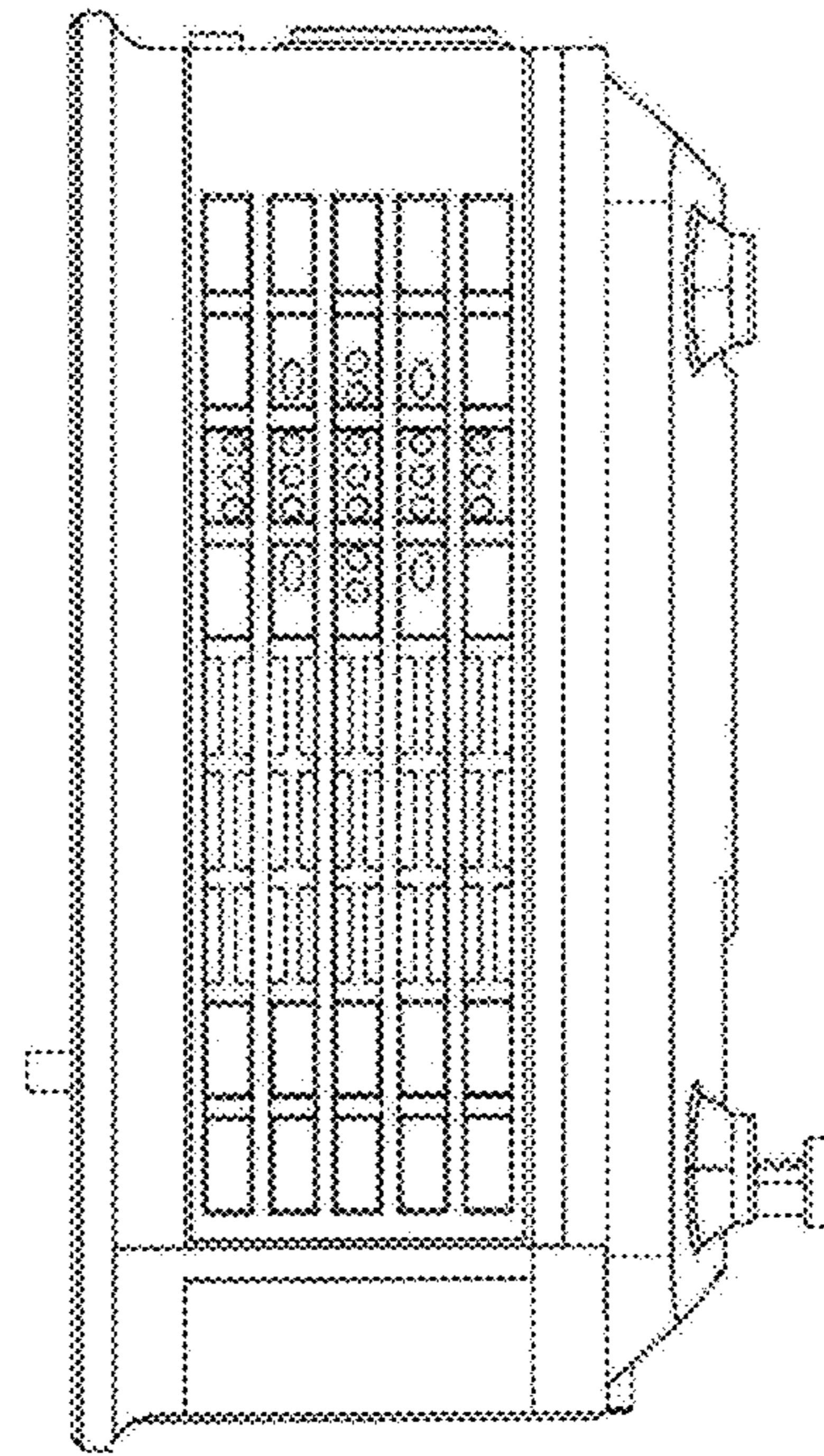


FIG. 3

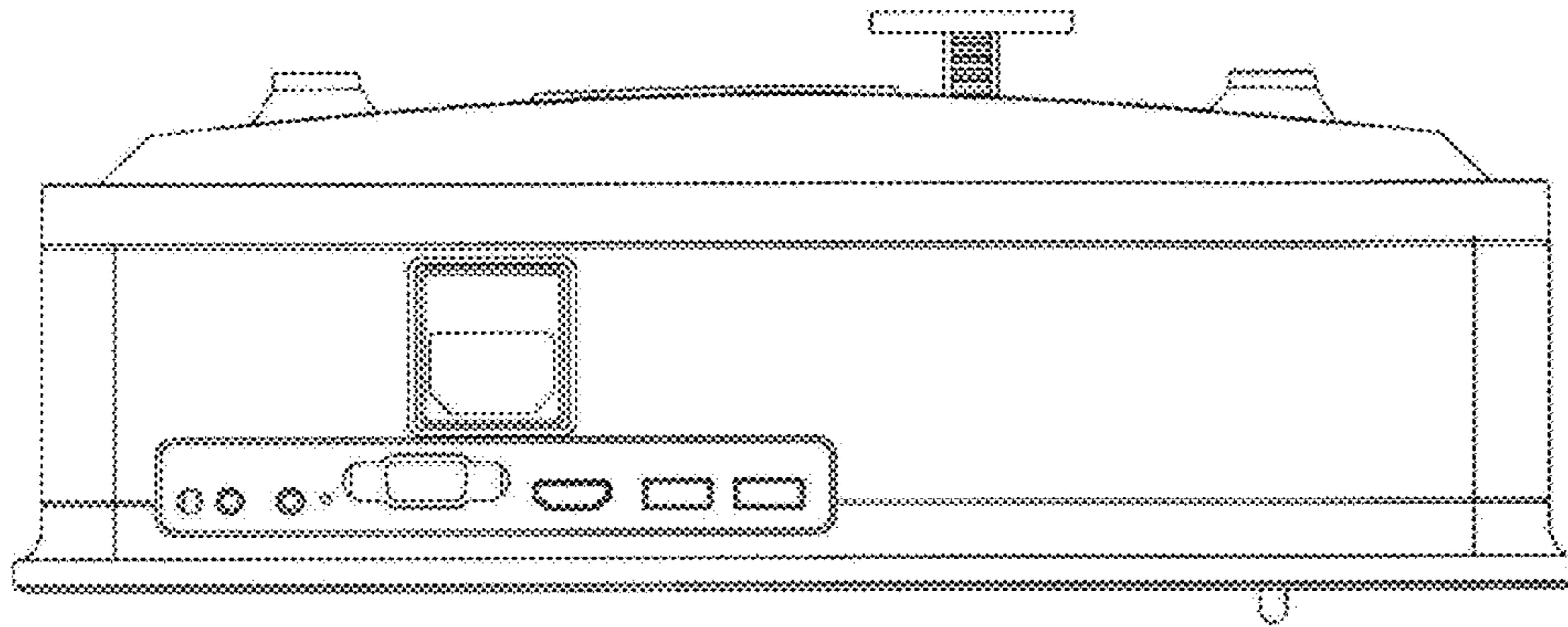


FIG. 4

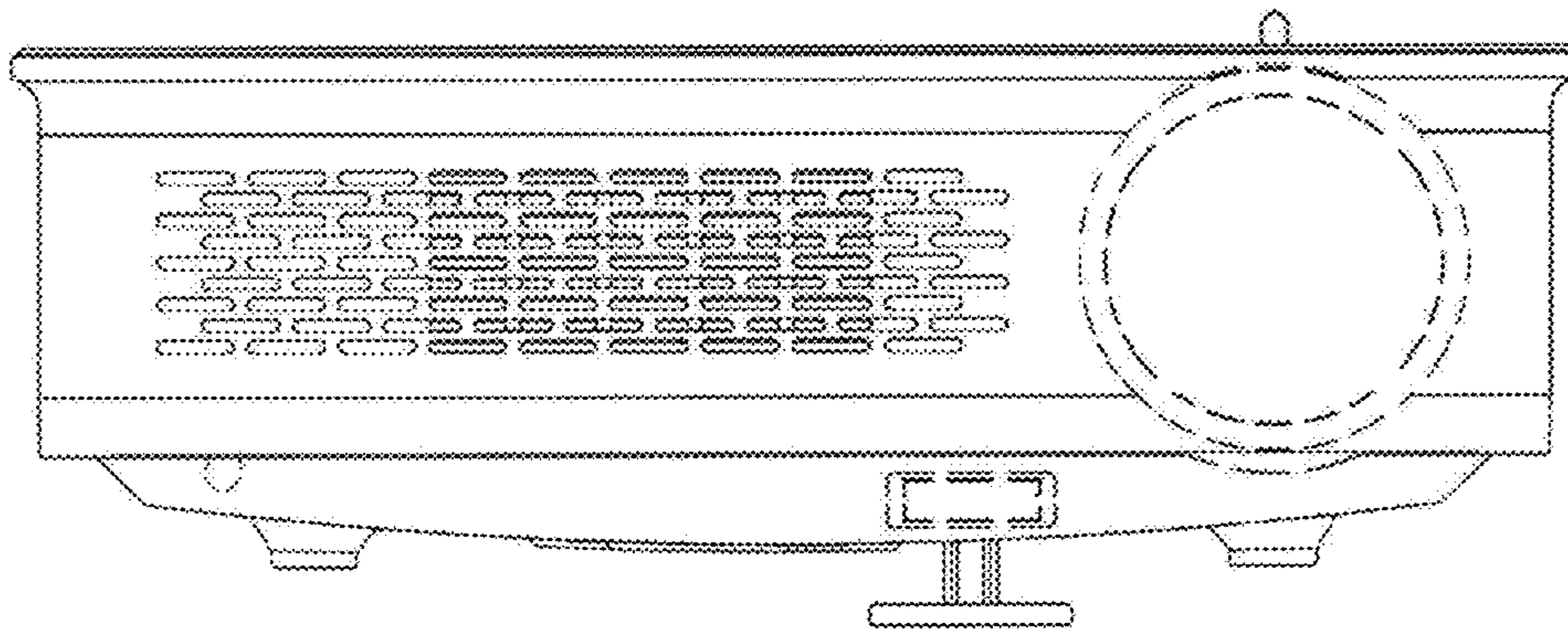


FIG. 5

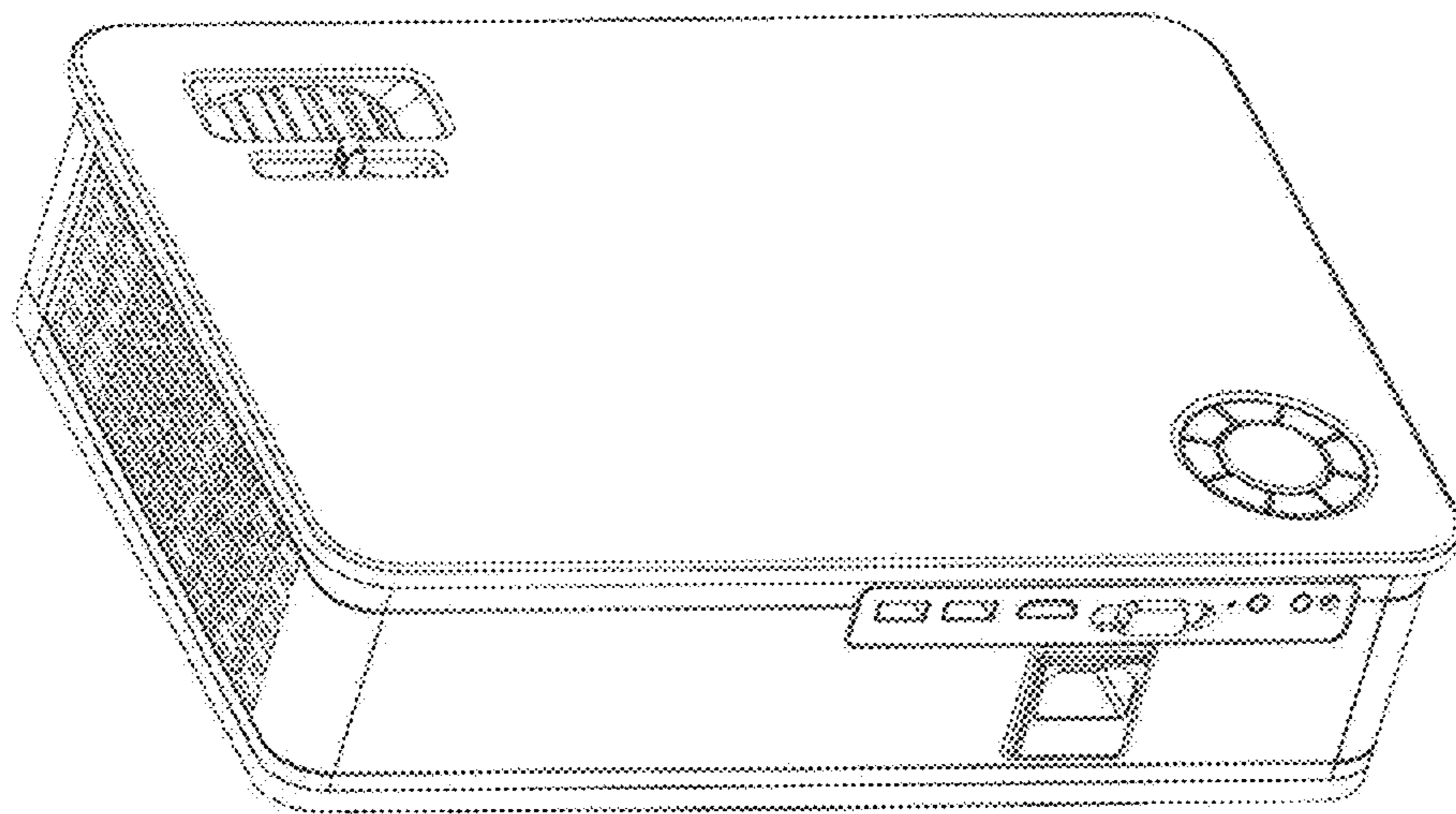


FIG.6