



US00D851694S

(12) **United States Design Patent** (10) **Patent No.:** **US D851,694 S**  
**Chastine et al.** (45) **Date of Patent:** **\*\* Jun. 18, 2019**

(54) **HOT MELT DISPENSER**  
(71) Applicant: **NORDSON CORPORATION**,  
Westlake, OH (US)  
(72) Inventors: **Christopher R. Chastine**,  
Lawrenceville, GA (US); **Leonard J. Lanier, II**,  
Duluth, GA (US); **Justin Clark**, Suwanee, GA (US); **Paula Ruse**,  
Lawrenceville, GA (US)  
(73) Assignee: **Nordson Corporation**, Westlake, MD (US)  
(\*\*) Term: **15 Years**  
(21) Appl. No.: **29/655,480**  
(22) Filed: **Jul. 3, 2018**

D365,830 S 1/1996 Hubbard et al.  
5,556,471 A 9/1996 Boccagno et al.  
D401,600 S 11/1998 Byerly et al.  
5,887,757 A 3/1999 Jenkins et al.  
D425,530 S 5/2000 Lafitte  
D429,263 S 8/2000 Auber et al.  
D451,525 S 12/2001 Ganzer  
D452,516 S 12/2001 Zook  
D456,427 S 4/2002 Gressett et al.  
D466,140 S 11/2002 Huey  
D473,883 S 4/2003 Huey et al.  
D474,214 S 5/2003 Huey et al.  
D496,671 S 9/2004 Nanto et al.  
D507,287 S 7/2005 Saidman  
D521,035 S 5/2006 De et al.  
D577,046 S 9/2008 Ganzer et al.  
D641,767 S 7/2011 Juergens  
D643,054 S 8/2011 Sennrich  
D673,594 S 1/2013 Ganzer  
D824,968 S \* 8/2018 Chastine ..... D15/144  
2007/0204462 A1 9/2007 Finnegan et al.

\* cited by examiner

**Related U.S. Application Data**

(62) Division of application No. 29/582,731, filed on Oct. 30, 2016, now Pat. No. Des. 824,968.  
(51) **LOC (11) Cl.** ..... **15-09**  
(52) **U.S. Cl.**  
USPC ..... **D15/144**  
(58) **Field of Classification Search**  
USPC ..... D15/144, 144.1, 144.2  
CPC ..... F24H 8/006; Y02B 30/106  
See application file for complete search history.

*Primary Examiner* — Patricia A Palasik  
(74) *Attorney, Agent, or Firm* — Baker & Hostetler LLP

(57) **CLAIM**

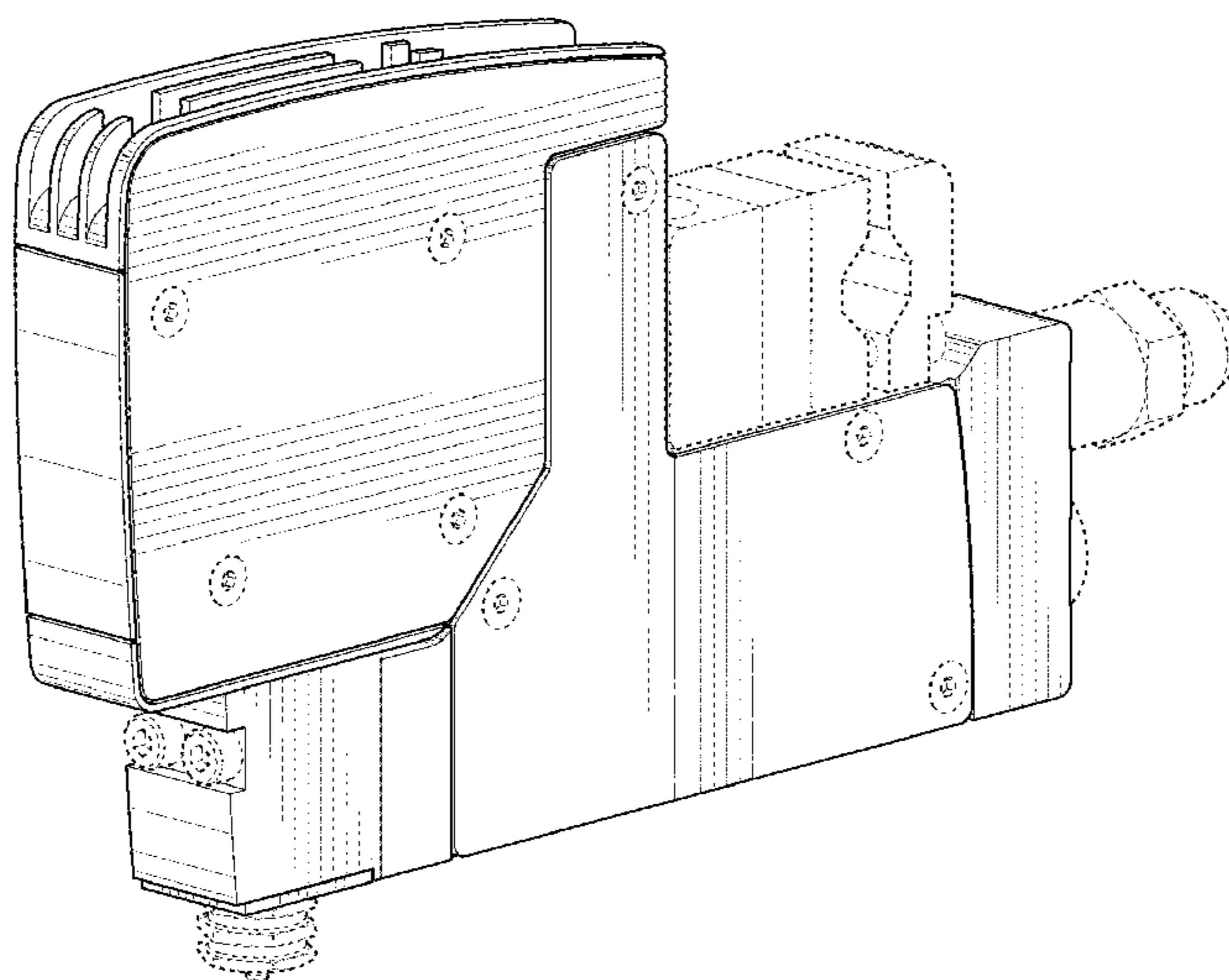
The ornamental design for a hot melt dispenser, as shown and described.

**DESCRIPTION**

FIG. 1 is a top perspective view of a hot melt dispenser; FIG. 2 is a left side view thereof; FIG. 3 is a right side view thereof; FIG. 4 is a front end view thereof; FIG. 5 is a rear end view thereof; FIG. 6 is a top end view thereof; and, FIG. 7 is a bottom end view thereof. The broken lines and the areas inside the broken lines depict unclaimed environmental subject matter.

(56) **References Cited**  
U.S. PATENT DOCUMENTS  
4,227,069 A 10/1980 Gardner et al.  
4,659,016 A 4/1987 Faulkner, III  
4,790,455 A 12/1988 Dieringer et al.  
D302,433 S 7/1989 Niedrig  
5,169,071 A 12/1992 Boger et al.  
D354,295 S 1/1995 Walsh et al.  
D354,296 S 1/1995 Walsh

**1 Claim, 5 Drawing Sheets**



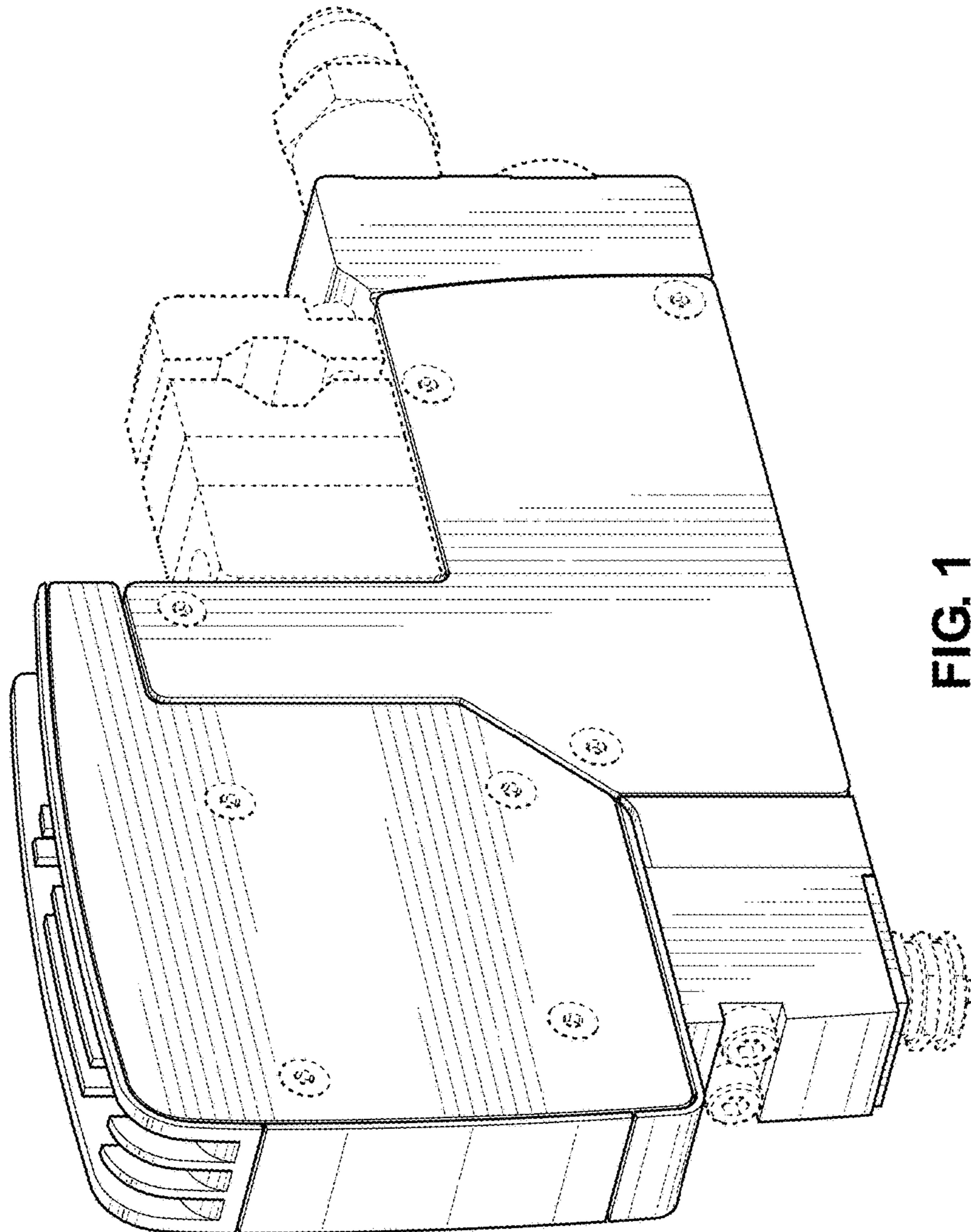


FIG. 1

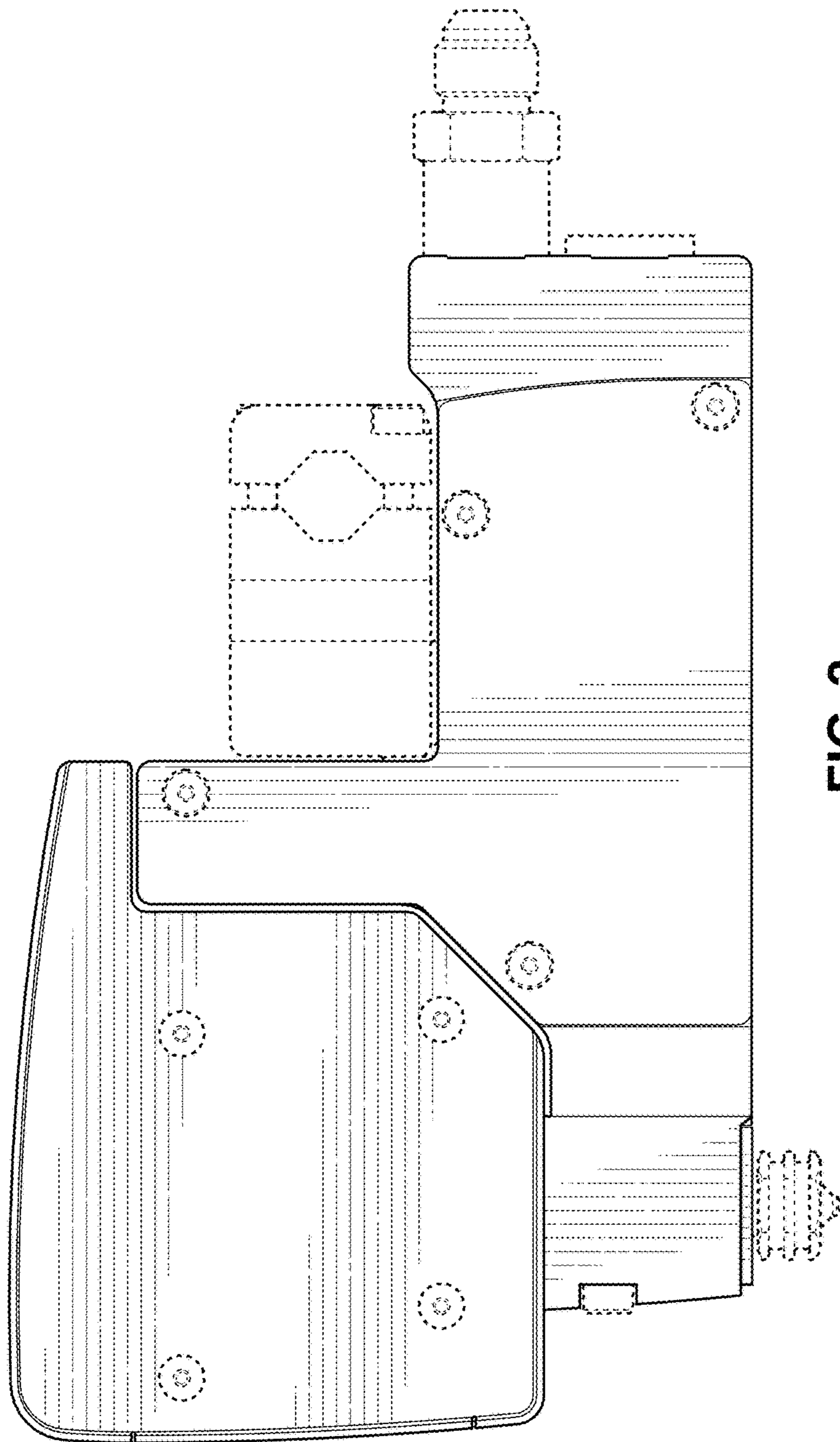


FIG. 2

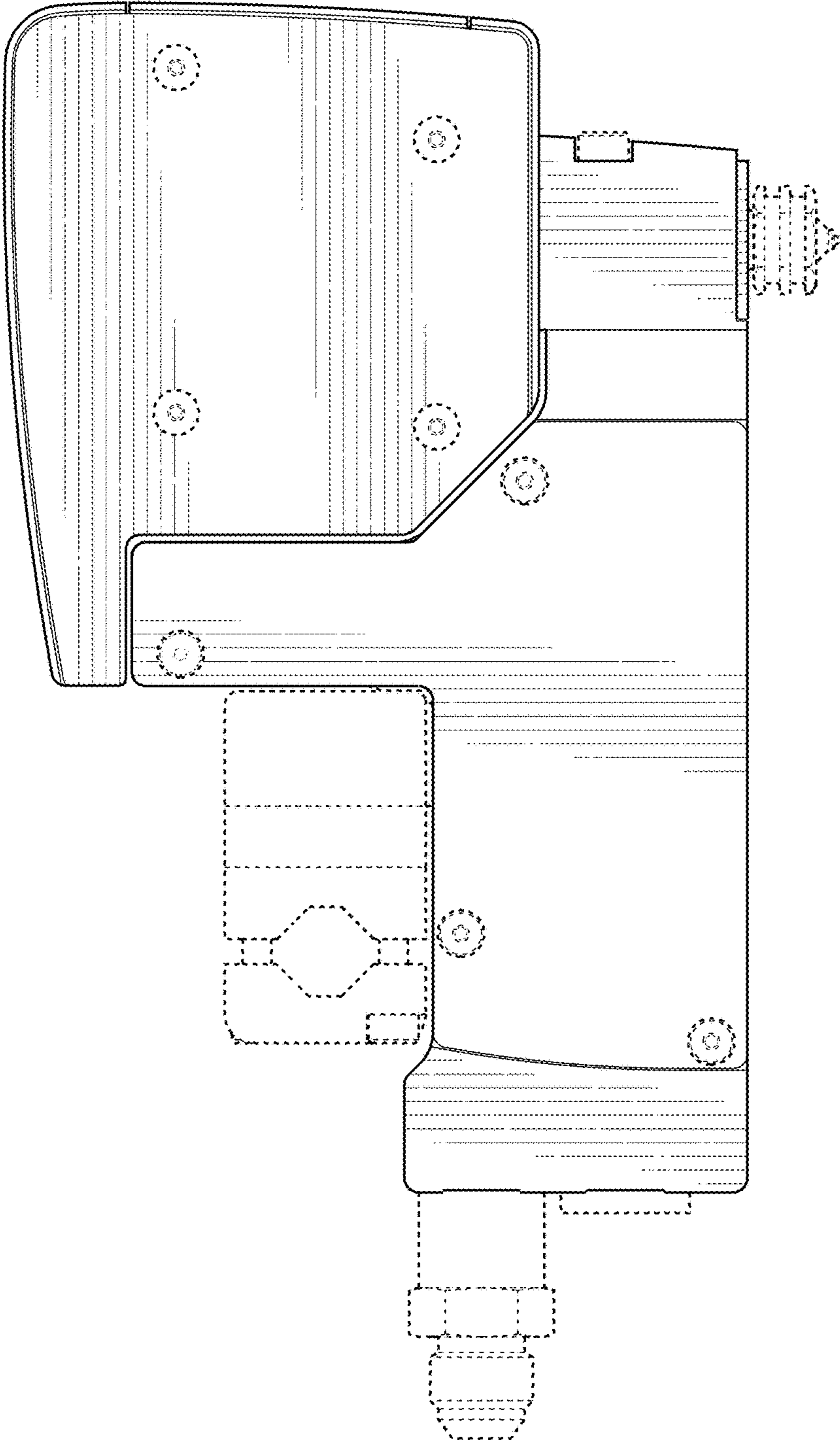


FIG. 3

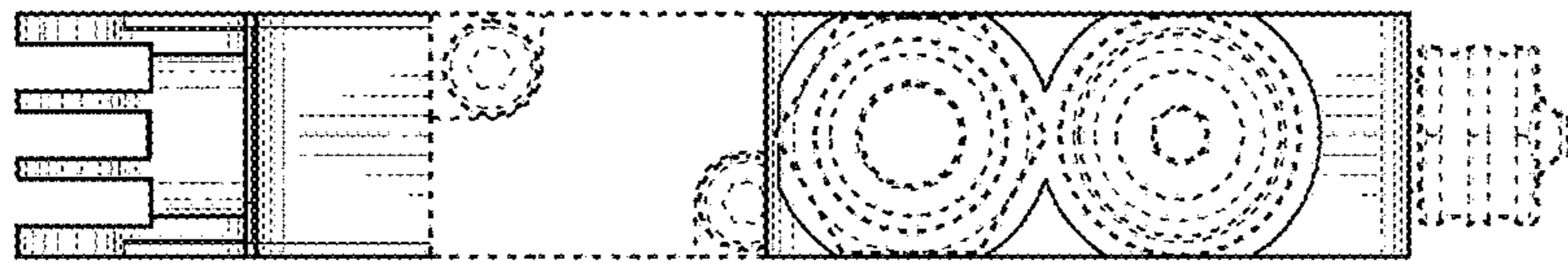


FIG. 5

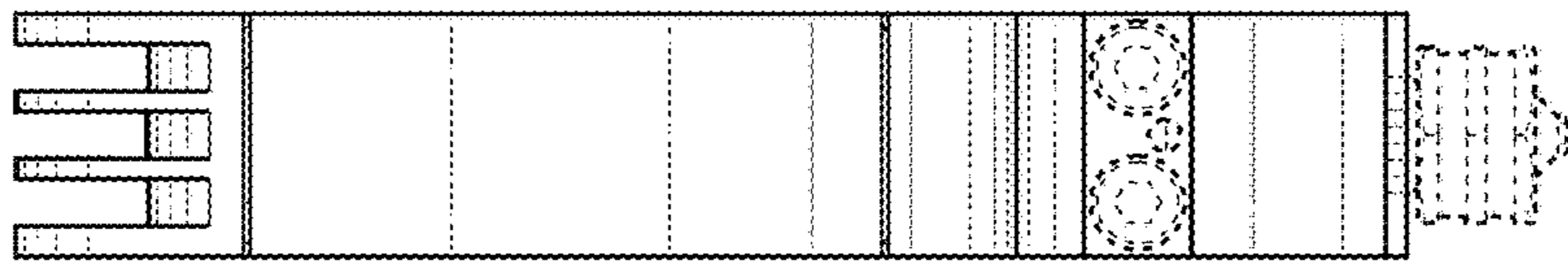


FIG. 4

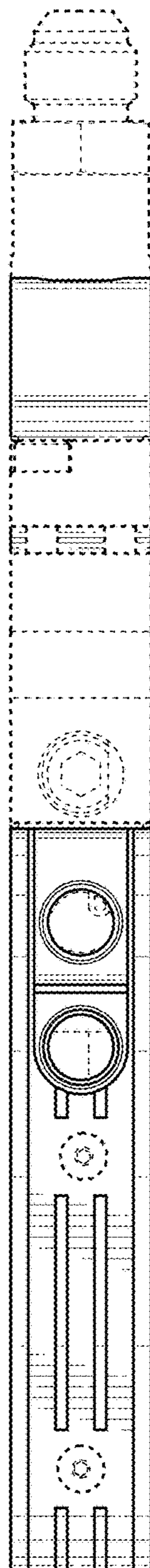


FIG. 6

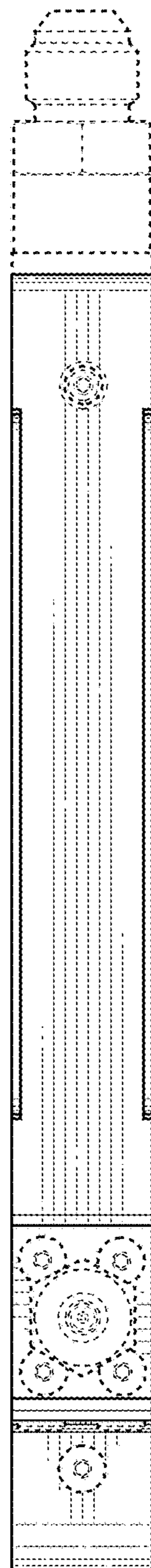


FIG. 7