



US00D851692S

(12) **United States Design Patent**  
**Cigarini et al.**

(10) **Patent No.:** **US D851,692 S**  
(45) **Date of Patent:** **\*\* Jun. 18, 2019**

(54) **SHARPENING MACHINE**  
(71) Applicant: **TECOMEC S.R.L.**, Reggio Emilia (IT)  
(72) Inventors: **Enrico Cigarini**, Reggio Emilia (IT);  
**Salvatore Longo**, Cadelbosco Sopra (IT)  
(73) Assignee: **TECOMEC S.R.L.**, Reggio Emilia (IT)  
(\*\*) Term: **15 Years**  
(21) Appl. No.: **29/601,050**  
(22) Filed: **Apr. 18, 2017**

D594,887 S 6/2009 Cigarini  
D594,888 S 6/2009 Cigarini  
D595,318 S 6/2009 Cigarini  
D756,737 S 5/2016 Cigarini  
D757,514 S 5/2016 Cigarini  
2008/0280548 A1\* 11/2008 Wilson ..... B24B 3/003  
451/282

\* cited by examiner

*Primary Examiner* — Patricia A Palasik  
(74) *Attorney, Agent, or Firm* — Pearne & Gordon LLP

(30) **Foreign Application Priority Data**  
Nov. 15, 2016 (EM) ..... 003463793  
(51) **LOC (11) Cl.** ..... **15-09**  
(52) **U.S. Cl.**  
USPC ..... **D15/126**  
(58) **Field of Classification Search**  
USPC ..... D8/61, 63, 64-69; D15/124, 125, 126,  
D15/130, 133, 134  
CPC ..... B23D 59/04; B23D 63/16; B24B 55/02;  
B24B 3/58; B23Q 11/10  
See application file for complete search history.

(57) **CLAIM**

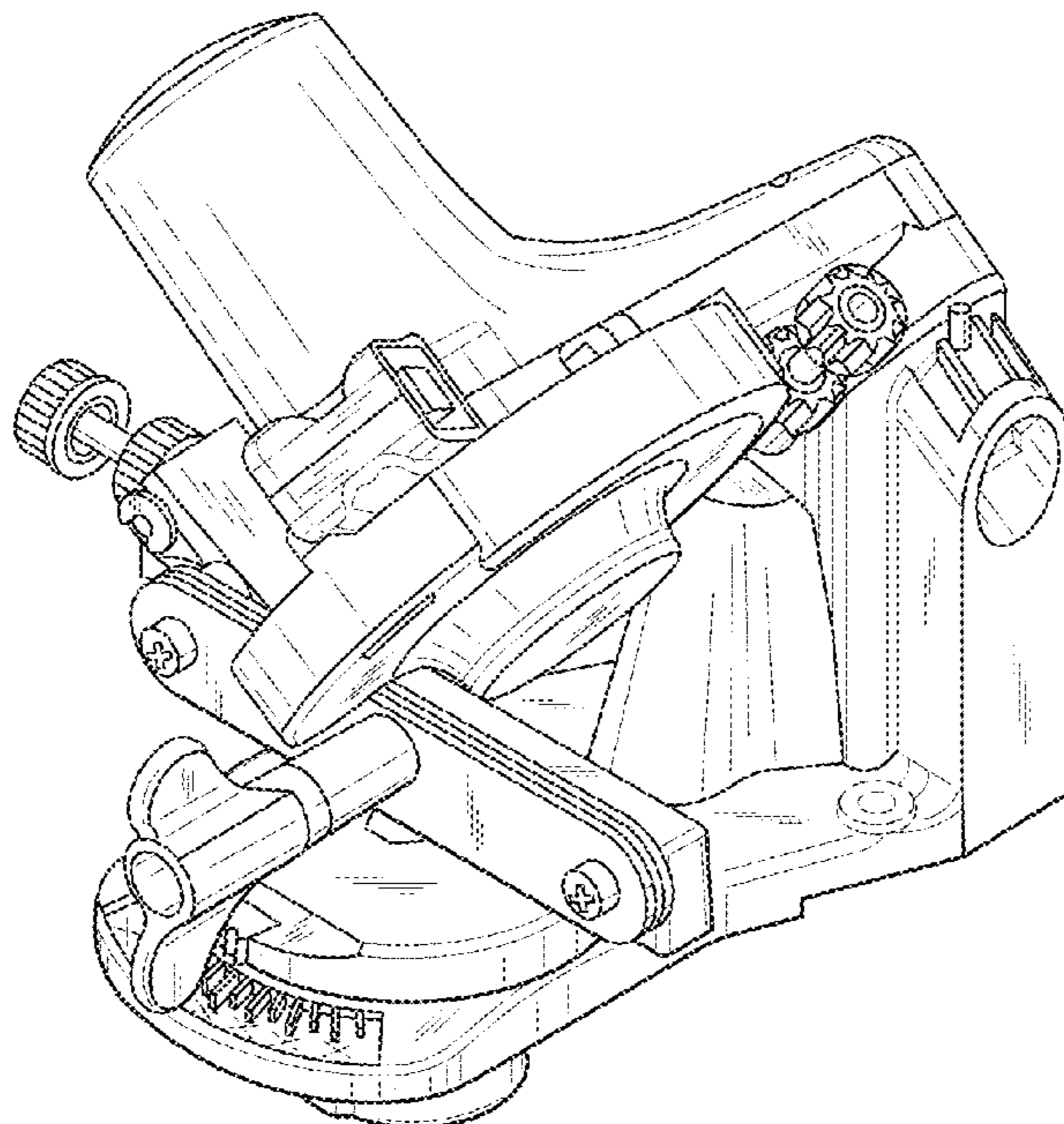
The ornamental design for a sharpening machine, as shown and described.

**DESCRIPTION**

FIG. 1 is a perspective view of a sharpening machine, showing our new design;  
FIG. 2 is a front view thereof;  
FIG. 3 is a right side view thereof;  
FIG. 4 is a back view thereof;  
FIG. 5 is a left side view thereof;  
FIG. 6 is a top view thereof; and,  
FIG. 7 is a bottom view thereof.  
The broken lines in the drawings illustrate portions of the sharpening machine and form no part of the claimed design.

(56) **References Cited**  
**U.S. PATENT DOCUMENTS**  
D366,662 S \* 1/1996 Haffely ..... D15/124  
7,121,932 B2 \* 10/2006 Liao ..... B24B 3/24  
451/179

**1 Claim, 4 Drawing Sheets**



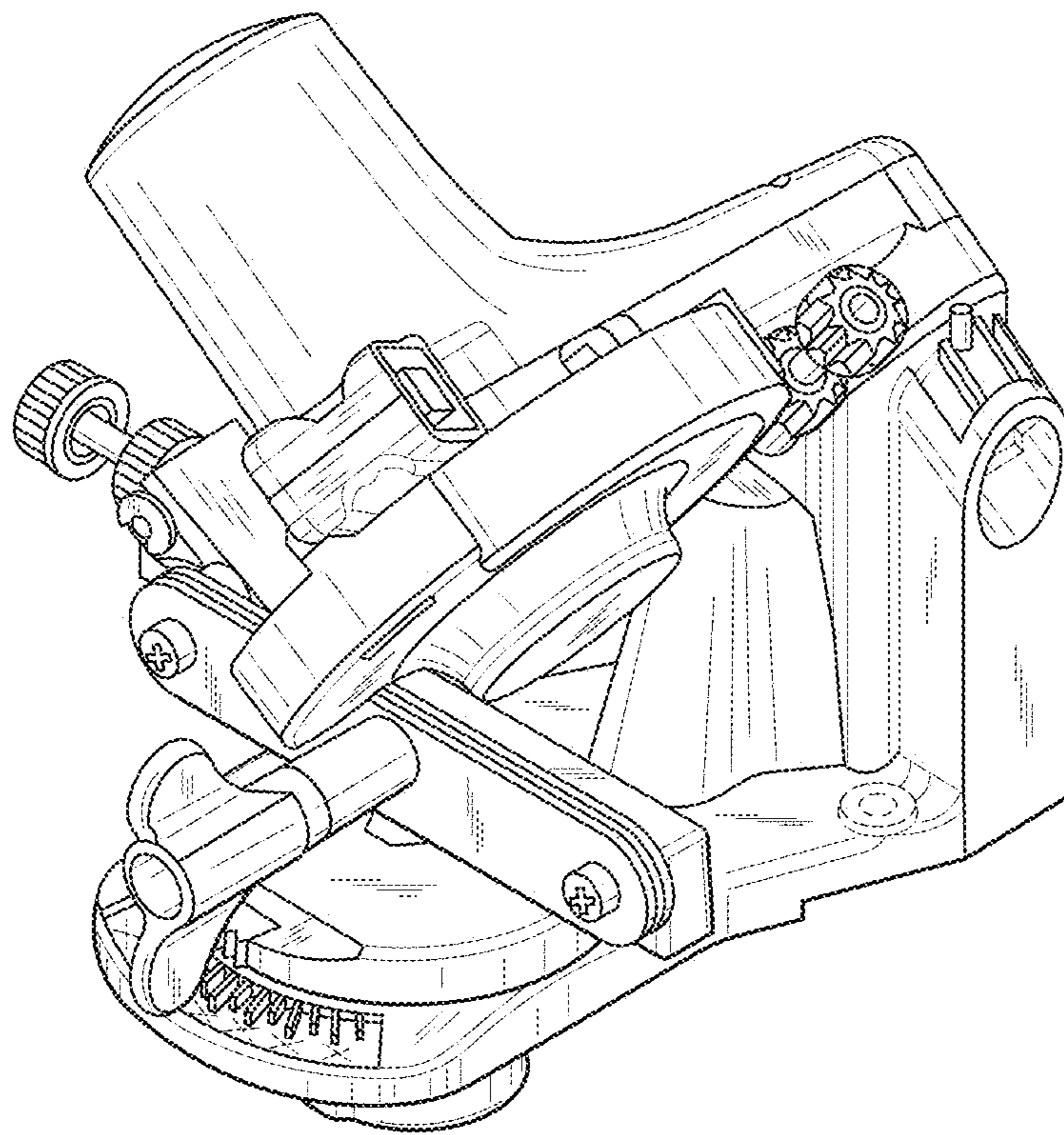


FIG. 1

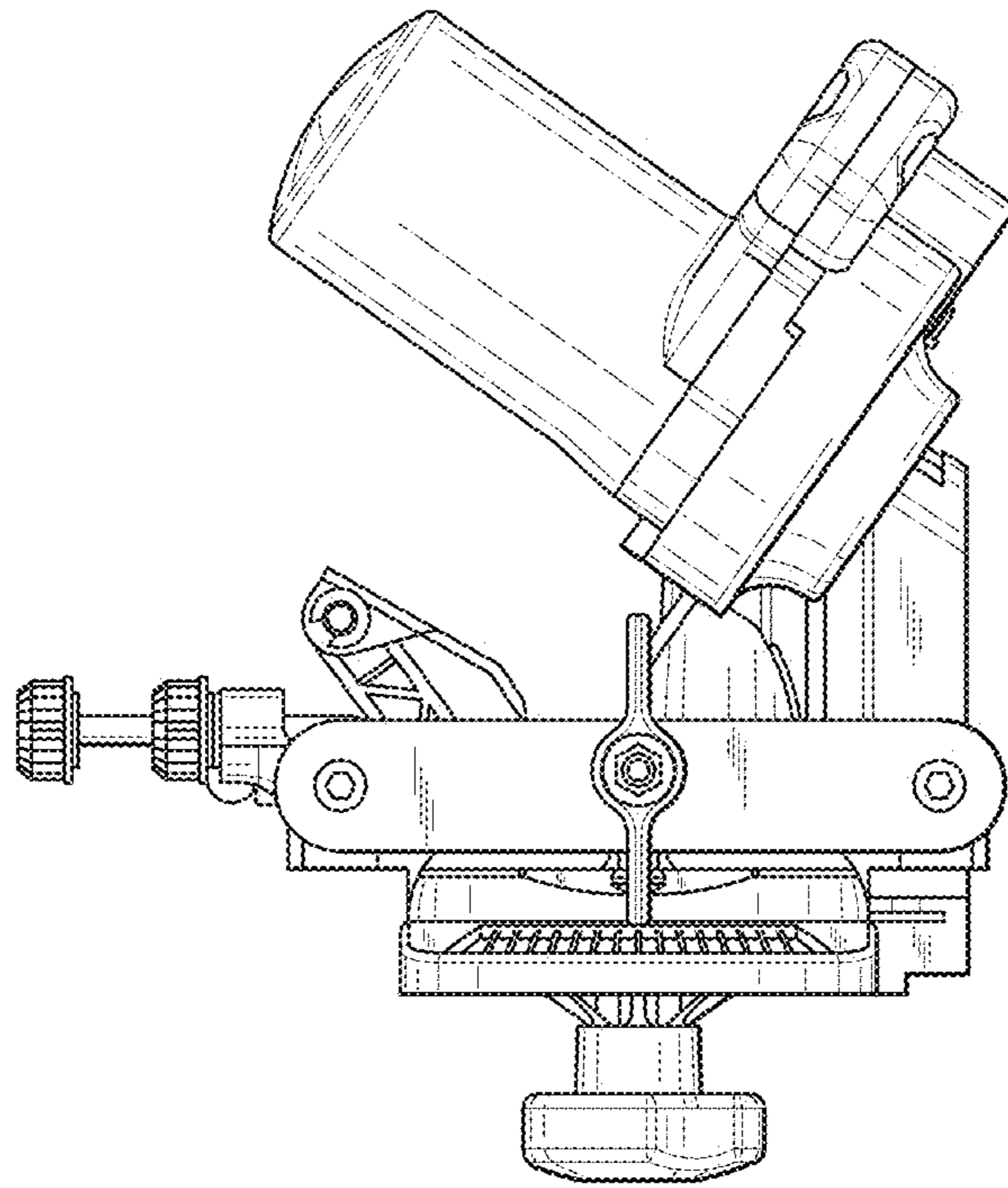


FIG. 2

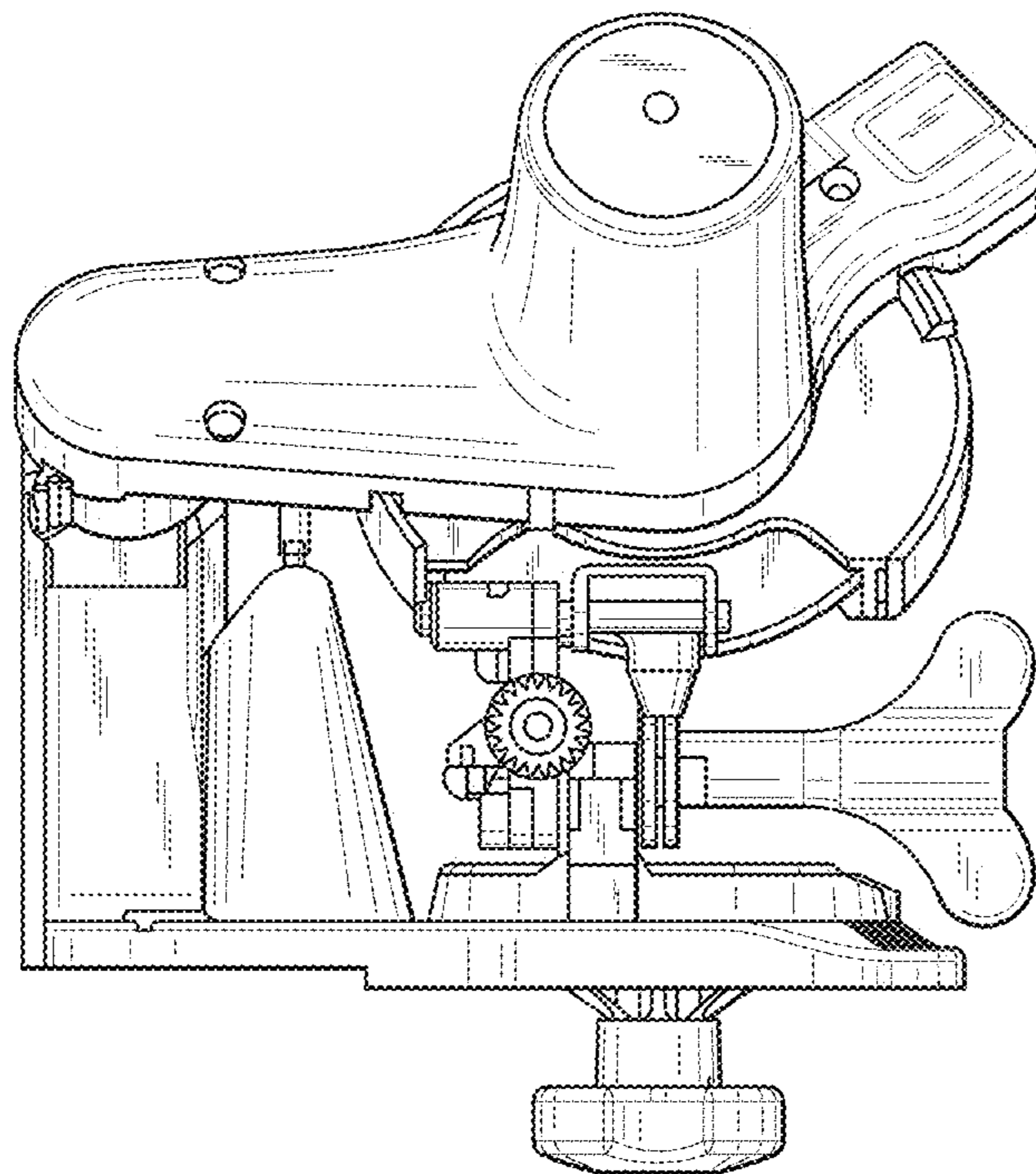


FIG. 3



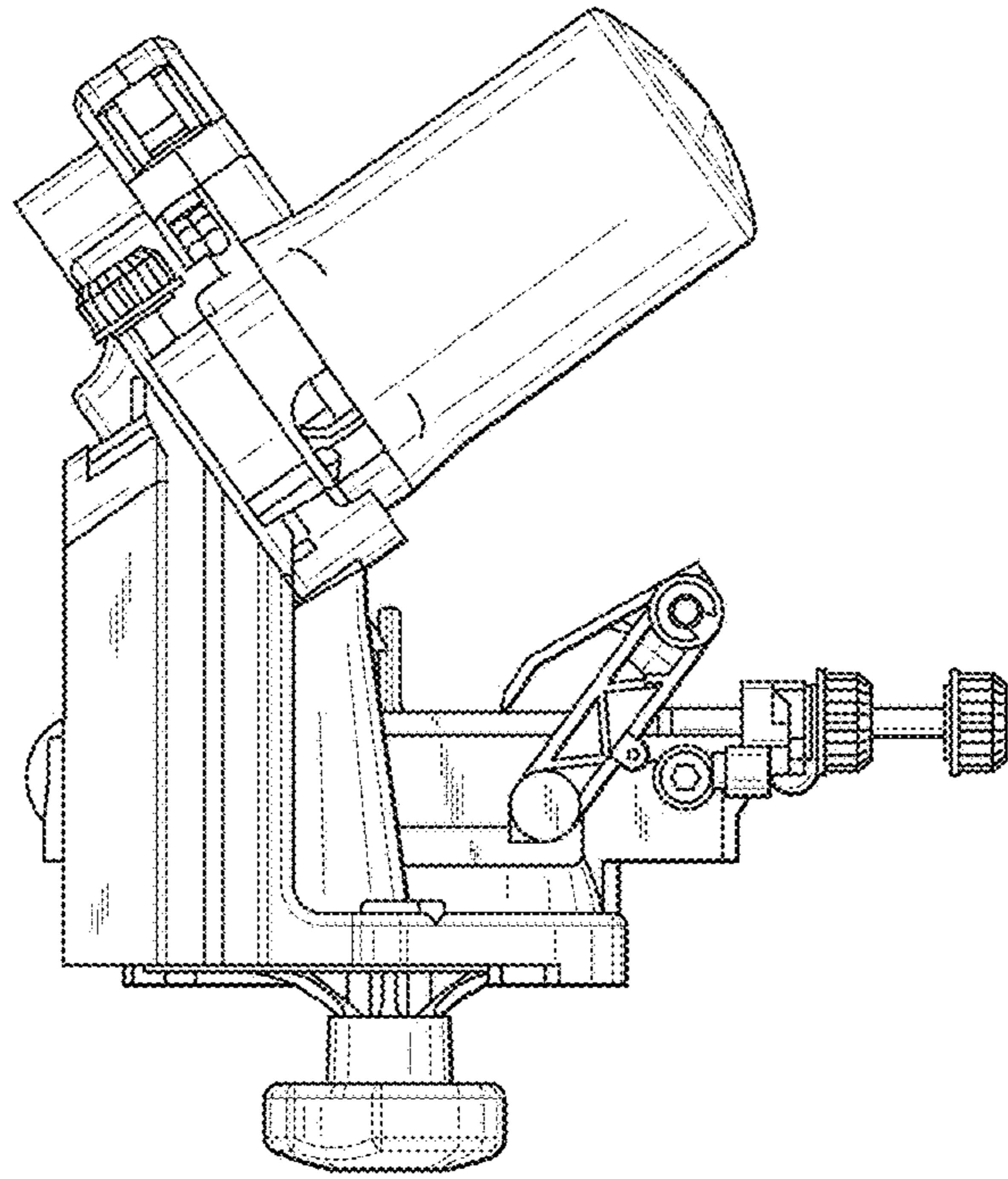


FIG. 4

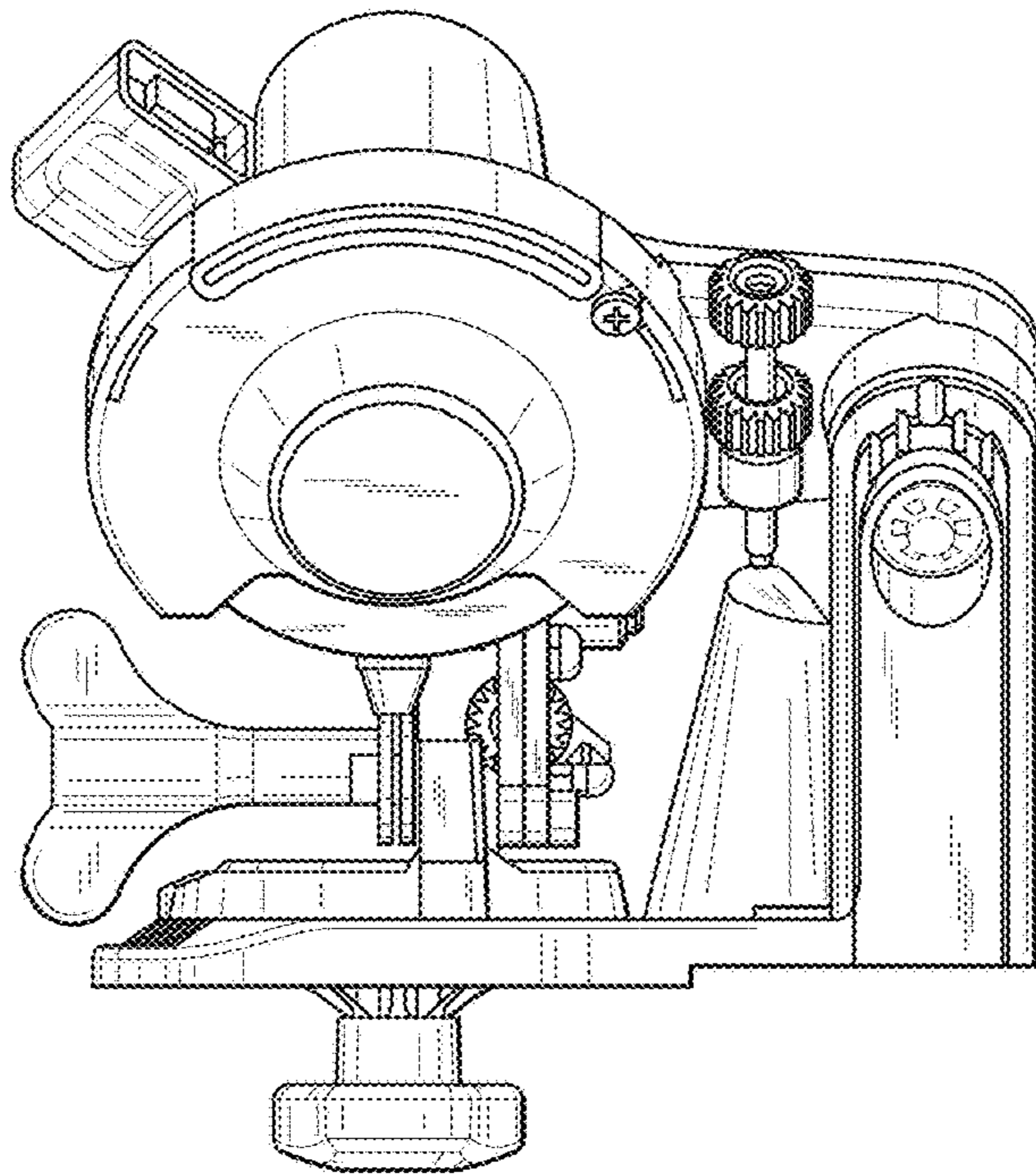


FIG. 5

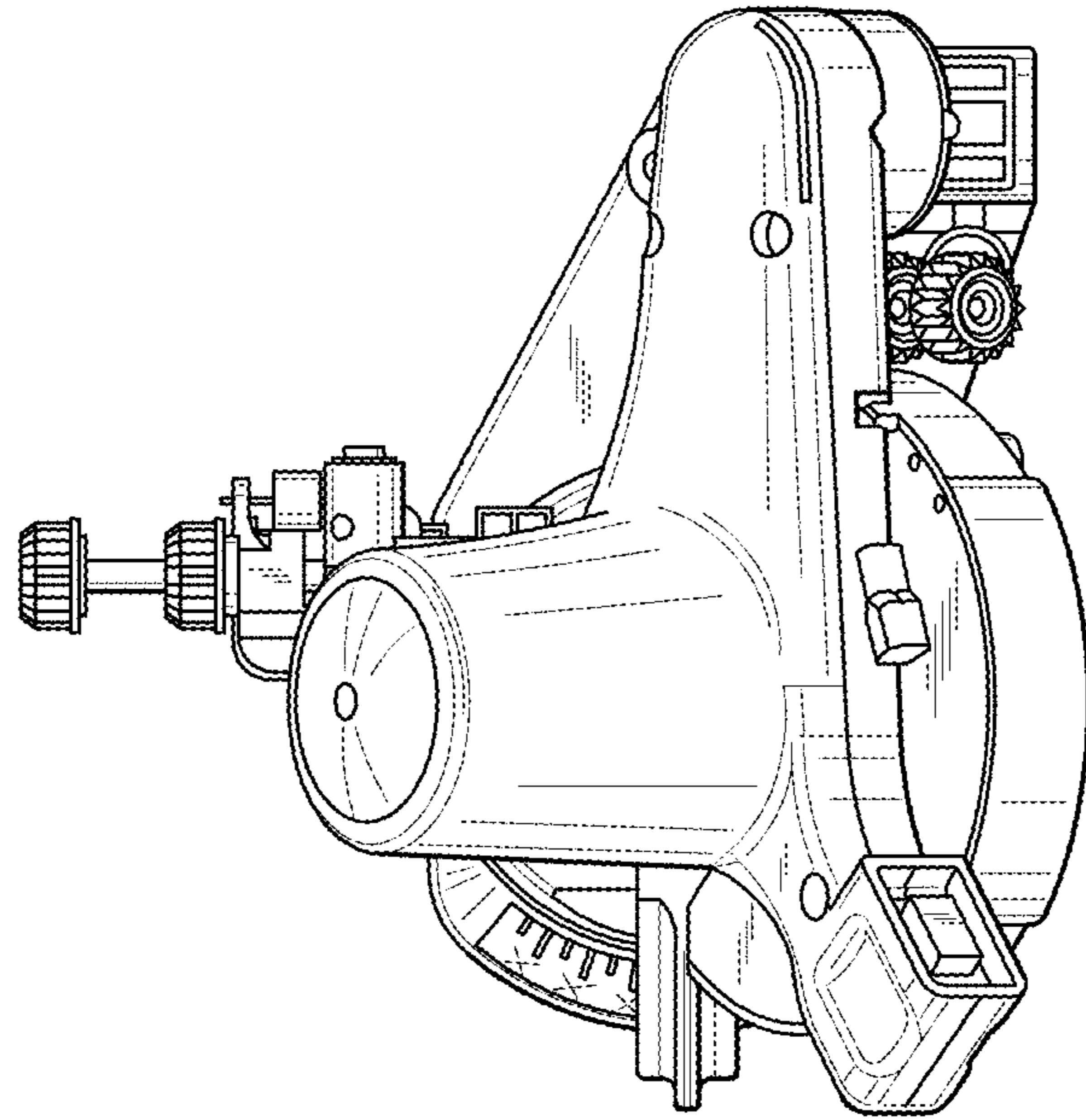


FIG. 6

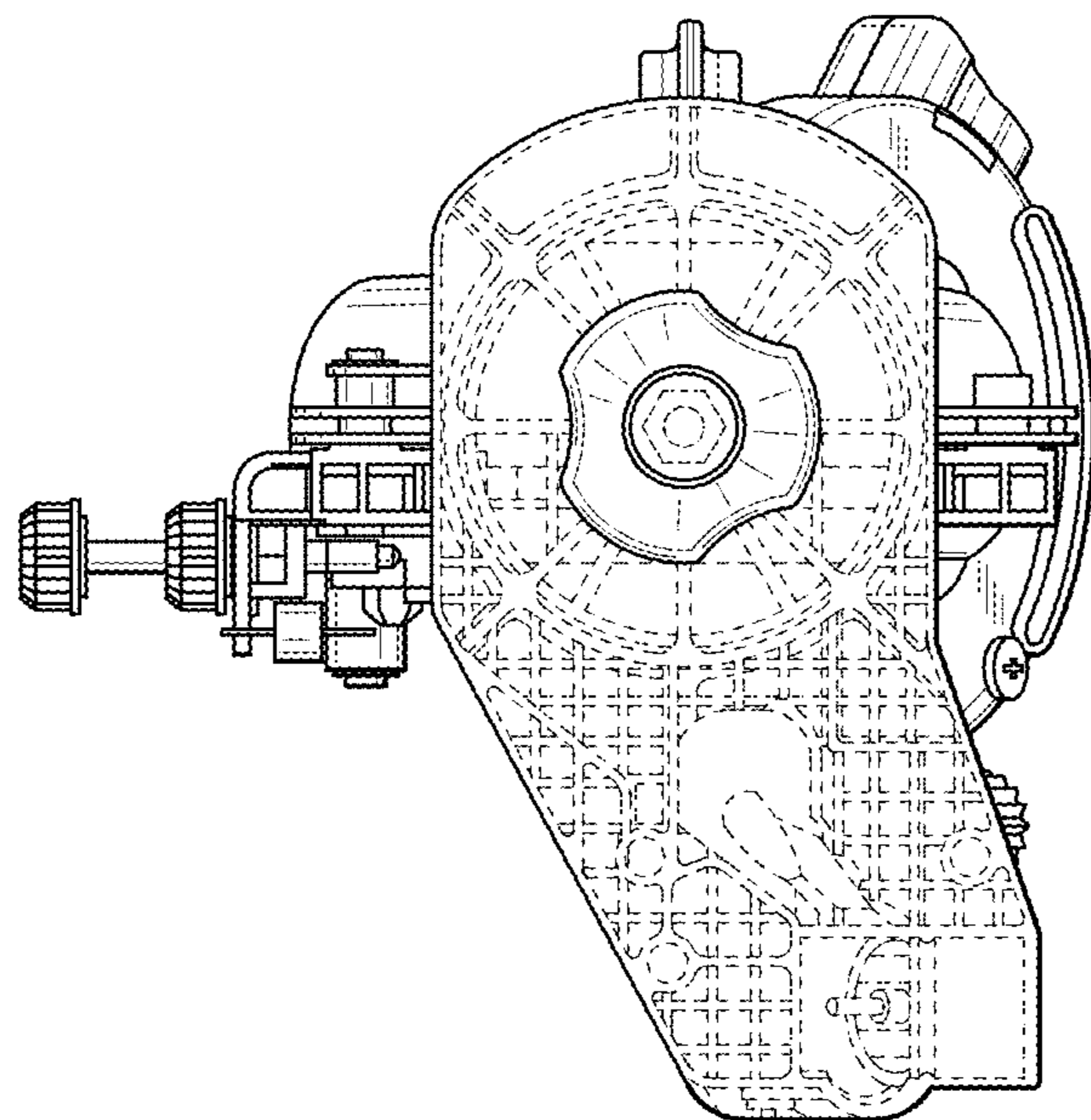


FIG. 7