



US00D851691S

(12) **United States Design Patent** (10) **Patent No.:** **US D851,691 S**
Dai (45) **Date of Patent:** **** Jun. 18, 2019**

(54) **PORTABLE REFRIGERANT CONTAINER**

F25D 2700/123; F25D 2317/061; F25D
23/069; F25D 23/087; F25D 11/006;
F25D 11/027

(71) Applicant: **Pinling Dai**, Guangdong (CN)

See application file for complete search history.

(72) Inventor: **Pinling Dai**, Guangdong (CN)

(56) **References Cited**

(73) Assignee: **Shenzhen Dezhongxing Technology Co., Ltd.**, Shenzhen (CN)

U.S. PATENT DOCUMENTS

(**) Term: **15 Years**

D711,439 S *	8/2014	Garg	D15/90
D711,945 S *	8/2014	Garg	D15/90
D712,442 S *	9/2014	Garg	D15/90
D741,920 S *	10/2015	Seiders	D15/90
D746,343 S *	12/2015	Mount	D15/90
D788,192 S *	5/2017	Seiders	D15/90
D788,829 S *	6/2017	Seiders	D15/90
D791,201 S *	7/2017	Kim	D15/90
D803,066 S *	11/2017	Rudolf	D9/569
D804,543 S *	12/2017	Carvajal	D15/90

(21) Appl. No.: **29/648,065**

(22) Filed: **May 18, 2018**

(30) **Foreign Application Priority Data**

Apr. 13, 2018 (CN) 2018 3 01522898

* cited by examiner

(51) **LOC (11) Cl.** **15-07**

Primary Examiner — Khawaja Anwar

(52) **U.S. Cl.**
USPC **D15/90**

(57) **CLAIM**

(58) **Field of Classification Search**

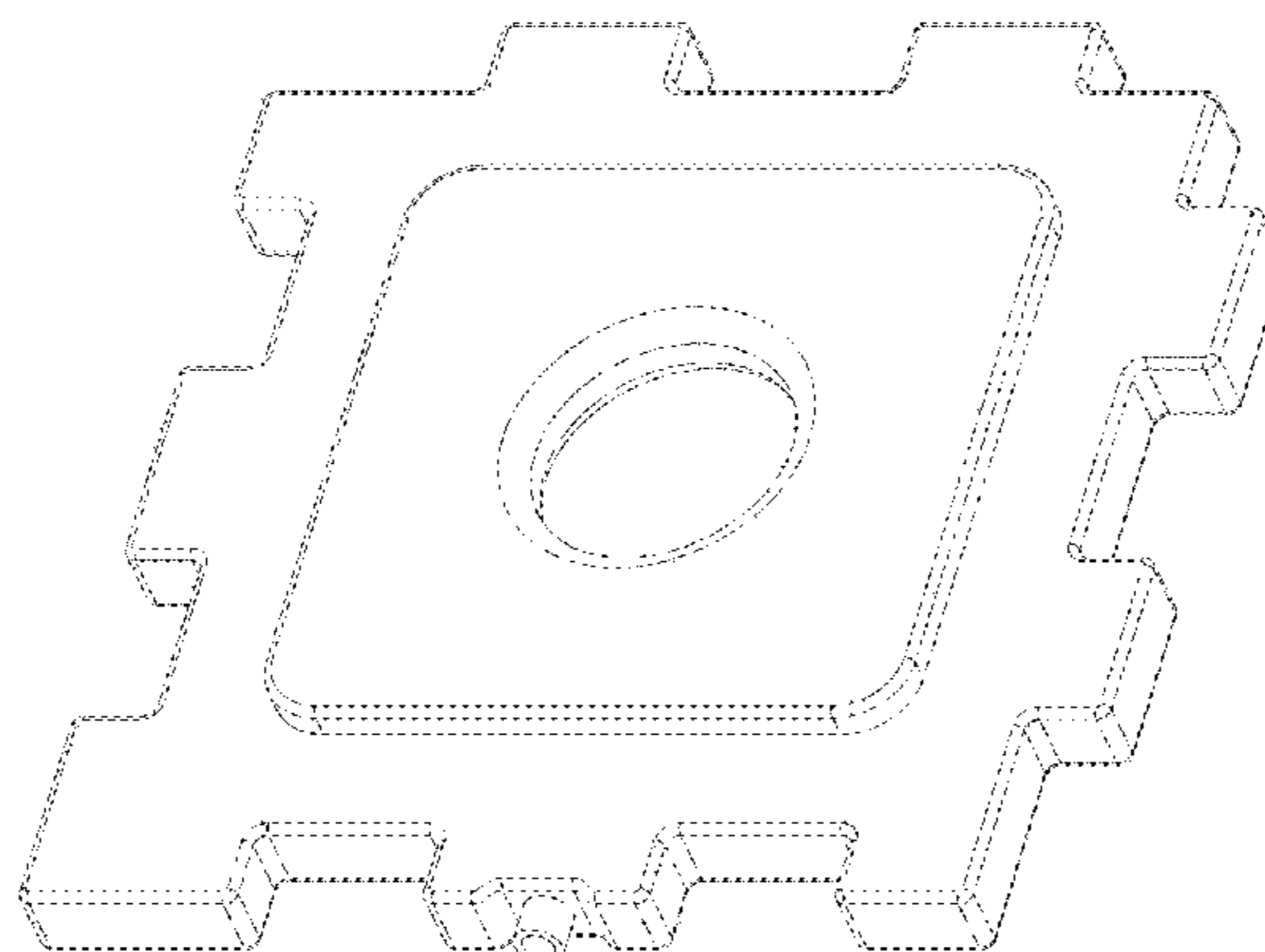
The ornamental design for a portable refrigerant container, as shown and described.

USPC D15/79-91
CPC F25D 27/00; F25D 2323/021; F25D 23/00;
F25D 23/02; F25D 2400/361; F25D
2500/06; F25D 25/025; F25D 29/00;
F25D 29/005; F25D 11/00; F25D 17/062;
F25D 17/067; F25D 17/08; F25D 21/04;
F25D 2201/10; F25D 2325/021; F25D
23/028; F25D 23/04; F25D 23/062; F25D
23/067; F25D 23/12; F25D 2400/02;
F25D 2400/40; F25D 25/02; F25D
25/024; F25D 2600/00; F25D 2700/00;
F25D 2700/02; F25D 2700/06; F25D
2700/08; F25D 2700/16; F25D 23/021;
F25D 11/022; F25D 17/065; F25D 11/02;
F25D 11/025; F25D 17/042; F25D 23/10;
F25D 25/04; F25D 15/00; F25D 17/045;
F25D 2400/36; F25D 17/02; F25D
2317/043; F25D 23/003; F25D 23/065;

DESCRIPTION

FIG. 1 is a perspective view of a portable refrigerant container showing my new design;
FIG. 2 is a front elevational view thereof;
FIG. 3 is a rear elevational view thereof;
FIG. 4 is a left side view thereof;
FIG. 5 is a right side view thereof;
FIG. 6 is a top plan view thereof;
FIG. 7 is a bottom plan view thereof;
FIG. 8 is an alternate perspective view thereof showing the portable refrigerant container before refrigerant is filled;
and,
FIG. 9 is another alternate perspective view thereof showing the portable refrigerant container after refrigerant has been filled.

1 Claim, 7 Drawing Sheets



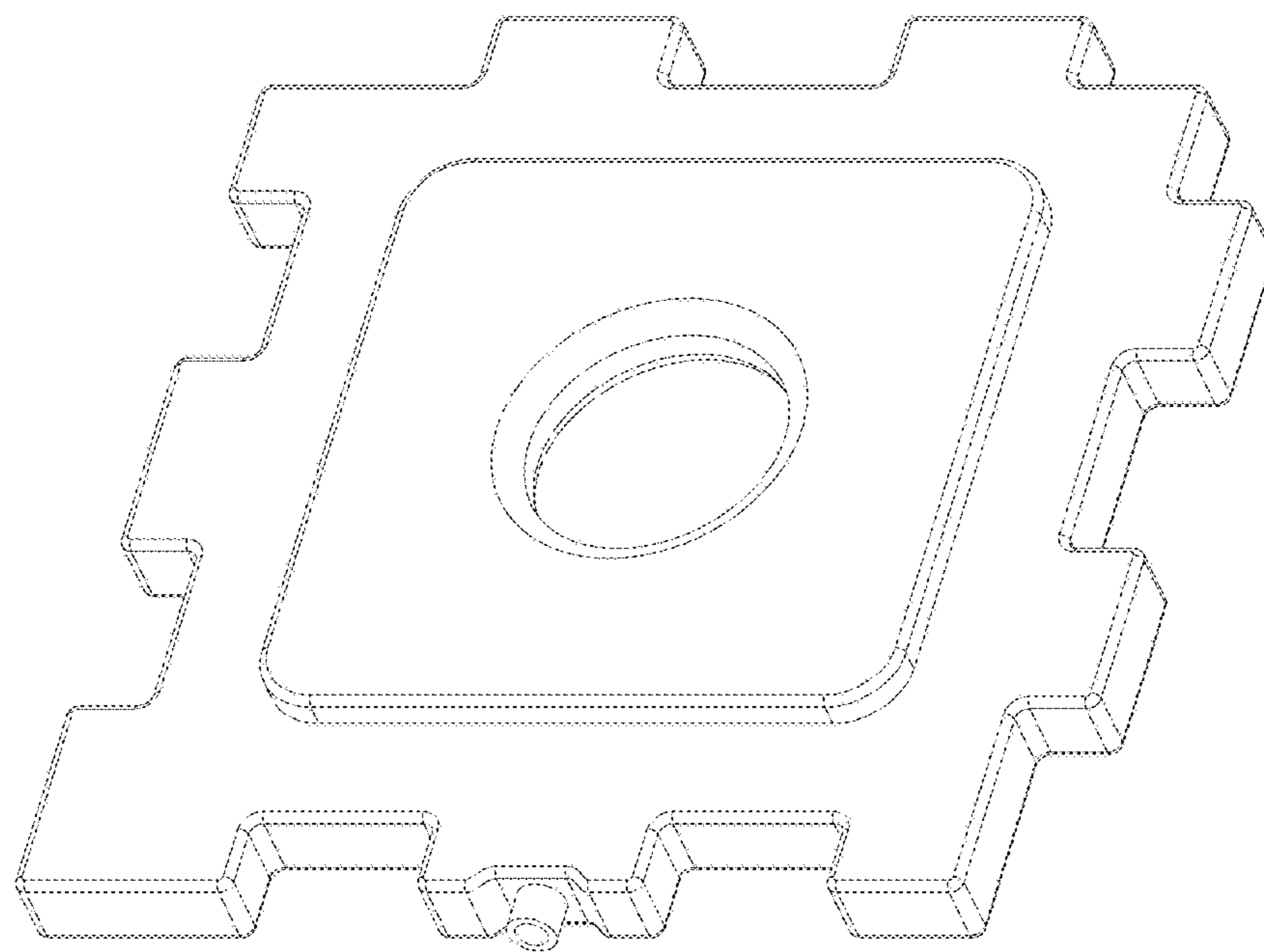


FIG. 1

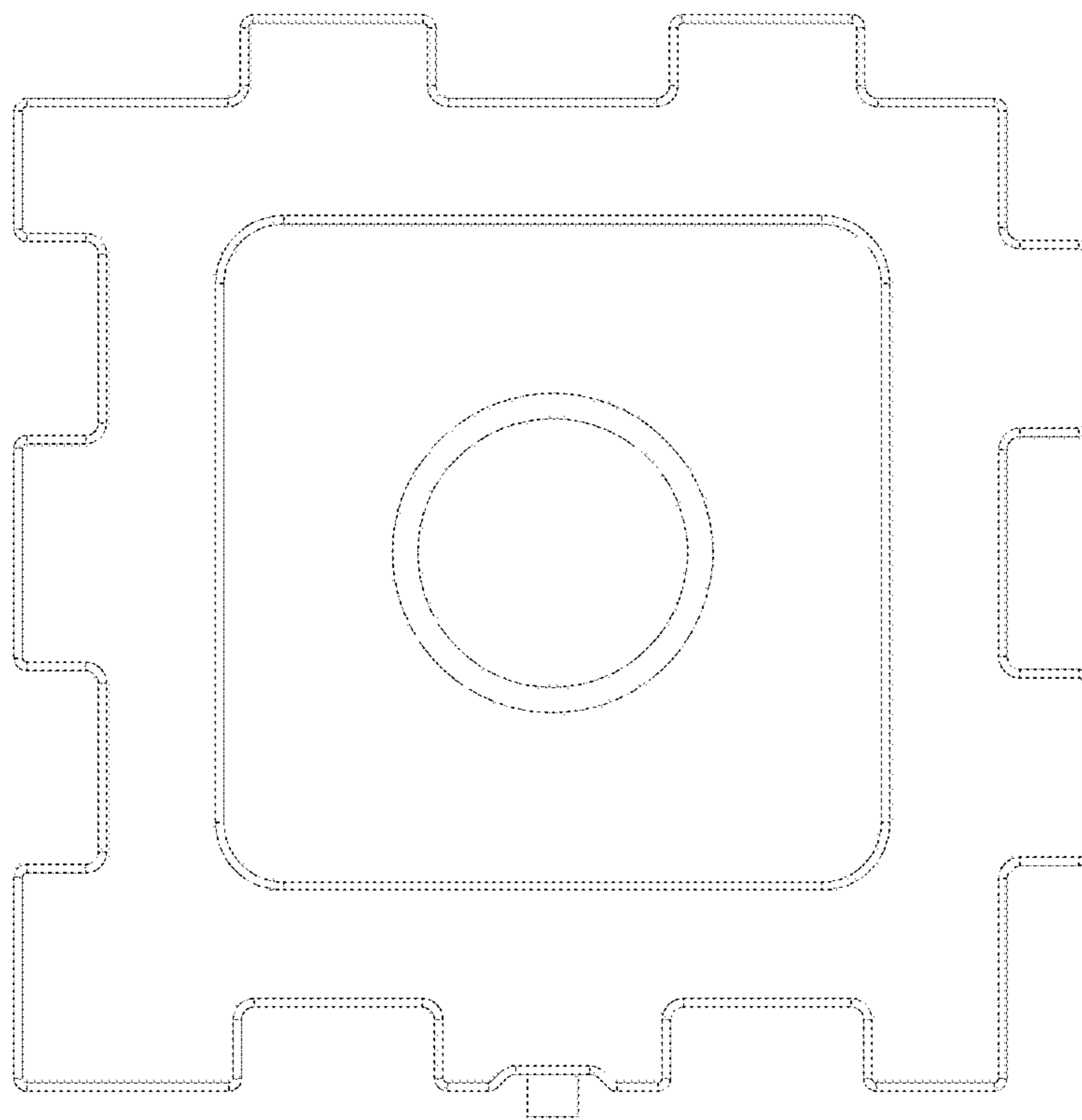


FIG. 2

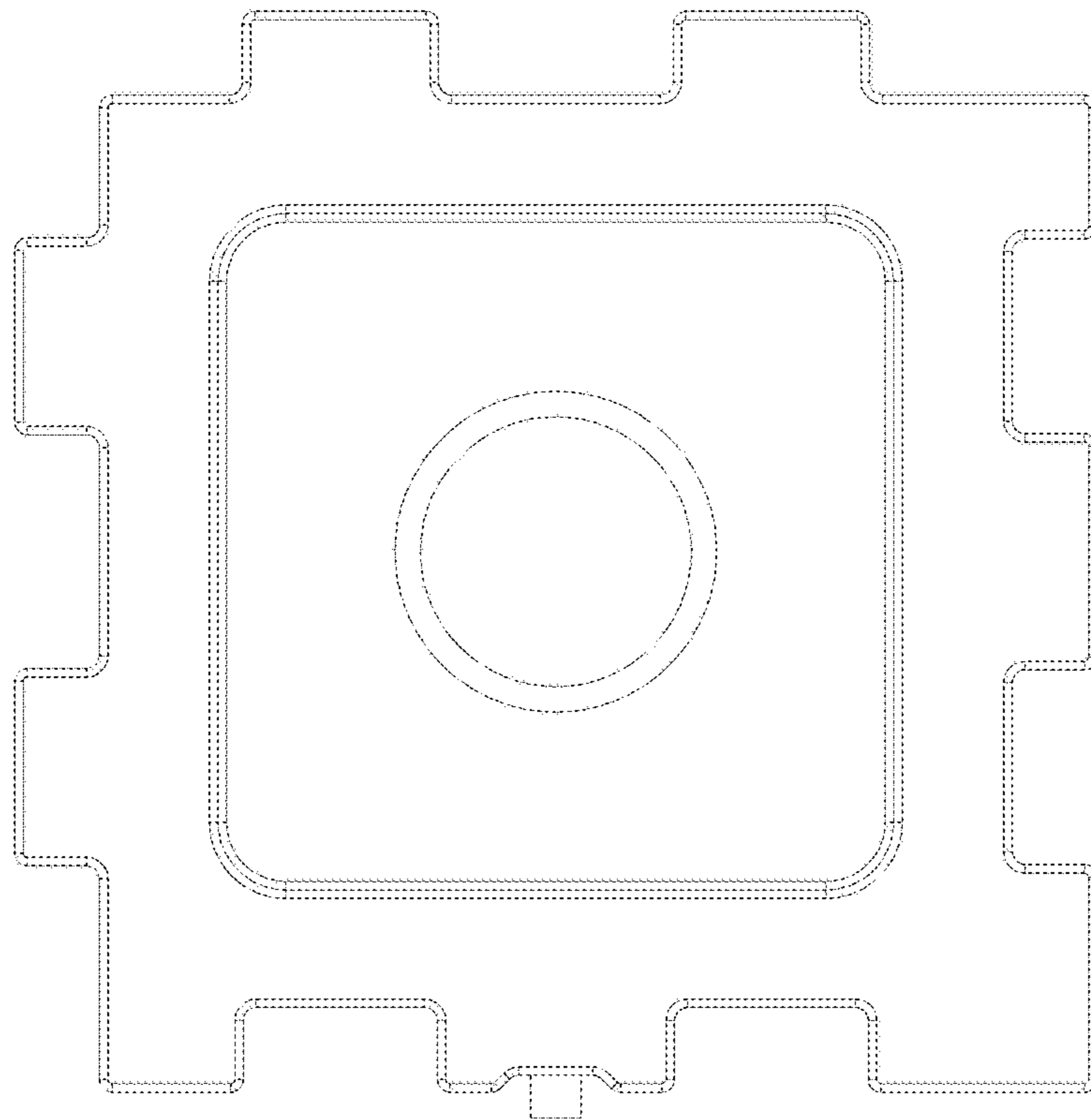


FIG. 3

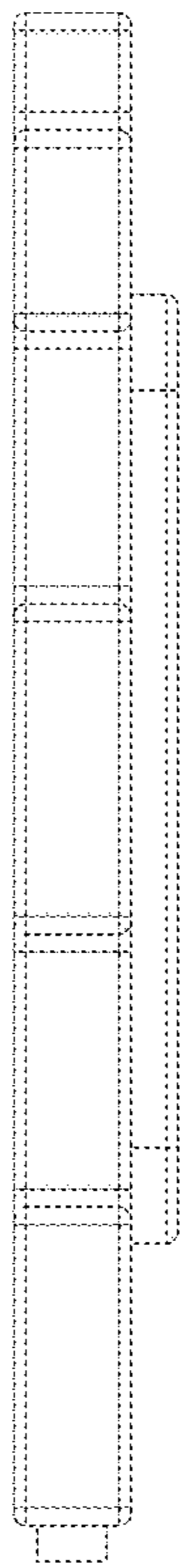


FIG. 4



FIG. 5



FIG. 6

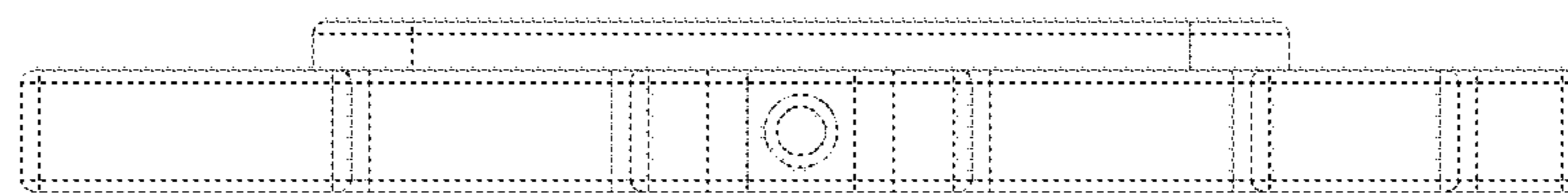


FIG. 7

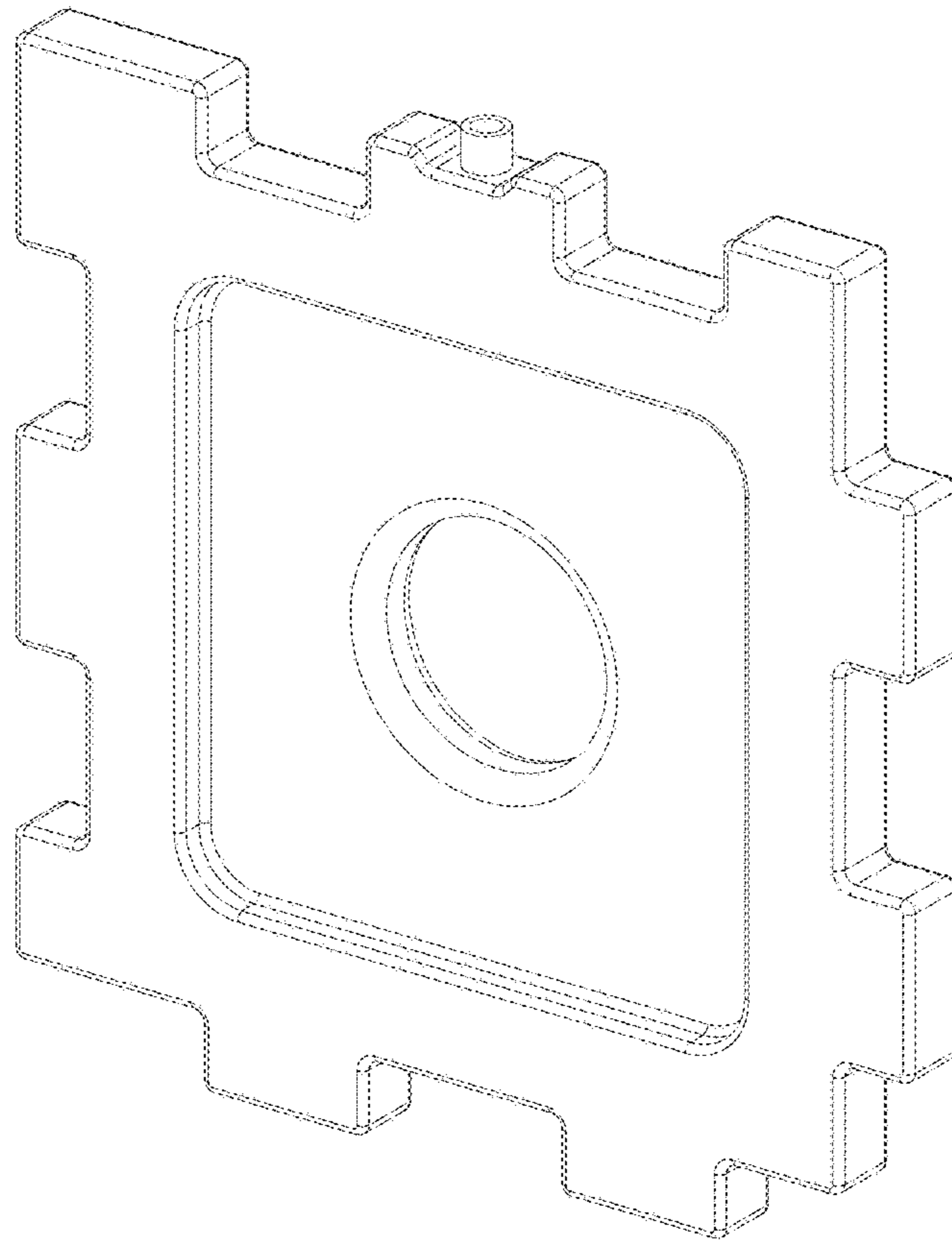


FIG. 8

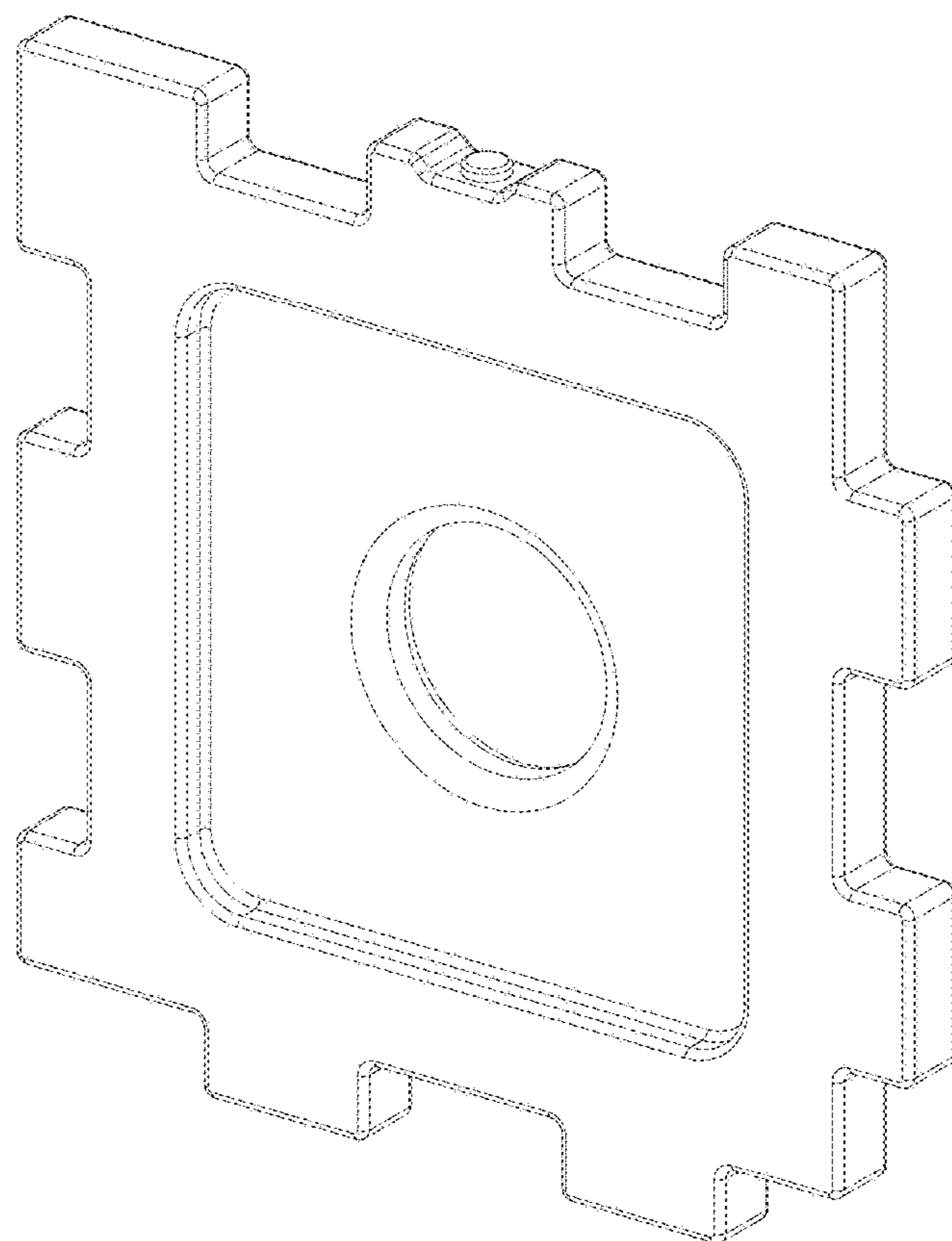


FIG. 9