



US00D851690S

(12) **United States Design Patent** (10) **Patent No.:** **US D851,690 S**
Seiders et al. (45) **Date of Patent:** **** Jun. 18, 2019**

(54) **ICE PACK**

(71) Applicant: **YETI Coolers, LLC**, Austin, TX (US)

(72) Inventors: **Roy Joseph Seiders**, Austin, TX (US);
John Alan Tolman, Austin, TX (US);
Kyle Thomas Miller, Austin, TX (US);
Steve Charles Nichols, Austin, TX (US)

(73) Assignee: **YETI Coolers, LLC**, Austin, TX (US)

(**) Term: **15 Years**

(21) Appl. No.: **29/614,994**

(22) Filed: **Aug. 24, 2017**

Related U.S. Application Data

(63) Continuation of application No. 29/552,582, filed on Jan. 22, 2016, now Pat. No. Des. 797,821.

(51) **LOC (11) Cl.** **15-07**

(52) **U.S. Cl.**
USPC **D15/90**

(58) **Field of Classification Search**

USPC D15/79-91; D9/432, 766, 770;
D7/550.1, 552.2, 553.1, 553.2, 553.3,
D7/555, 566, 587, 603
CPC F25D 2400/02; F25D 11/006; F25D 11/02;
F25D 11/022; F25D 11/025; F25D 16/00;
F25D 17/045; F25D 21/006; F25D 21/04;
F25D 21/08; F25D 2323/024; F25D
2325/021; F25D 23/028; F25D 23/067;
F25D 2400/06; F25D 25/02; F25D
25/025; F25D 2600/00; F25D 2600/04;
F25D 2700/04; F25D 27/00; F25D 29/00;
F25D 29/005; F25D 3/045

See application file for complete search history.

(56) **References Cited**

U.S. PATENT DOCUMENTS

3,233,817 A	2/1966	Casady
D267,544 S	1/1983	Neto et al.
D285,413 S	9/1986	Carlson
D289,974 S	5/1987	Hamilton et al.
D312,303 S	11/1990	Gustavsson
D322,383 S	12/1991	Jones
D336,595 S	6/1993	Jones
D340,642 S	10/1993	Detzel et al.
D351,532 S	10/1994	Wolfenden
D357,179 S	4/1995	Nedstedt
D376,876 S	12/1996	McInnes
D377,179 S	1/1997	Sundheim et al.

(Continued)

OTHER PUBLICATIONS

<http://yeti.com/yeti-ice>—Retrieved Oct. 31, 2016.

(Continued)

Primary Examiner — Khawaja Anwar

(74) *Attorney, Agent, or Firm* — Banner & Witcoff, Ltd.

(57) **CLAIM**

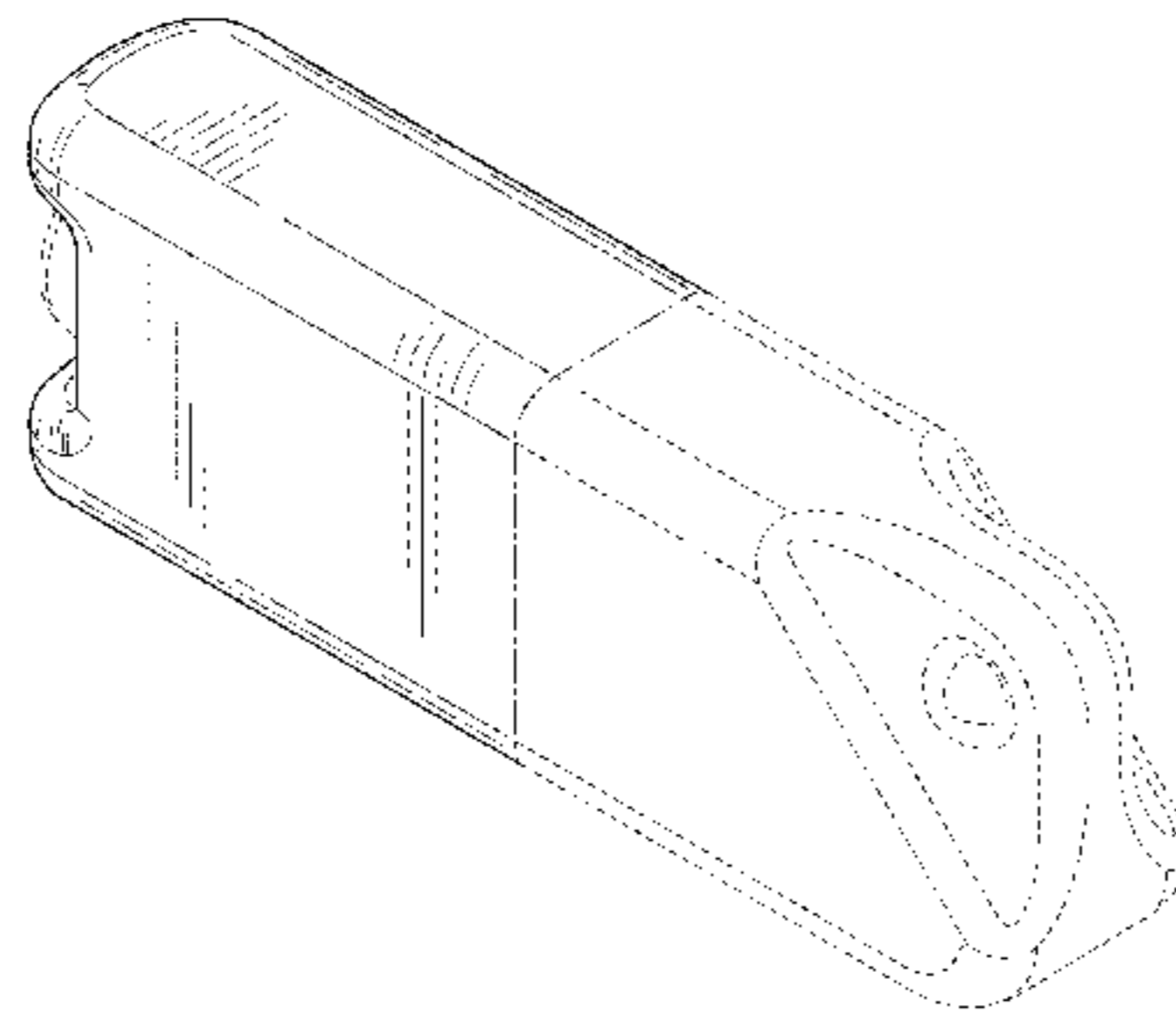
The ornamental design for an ice pack, as shown and described.

DESCRIPTION

FIG. 1 is a top, front, left perspective view of an ice pack showing our new design;
FIG. 2 is a left side view thereof;
FIG. 3 is a right side view thereof;
FIG. 4 is a front view thereof;
FIG. 5 is a rear view thereof;
FIG. 6 is a top view thereof; and,
FIG. 7 is a bottom view thereof.

The uneven-length broken lines represent unclaimed boundaries of the claimed design. The even-length broken lines showing the remainder of the ice pack represent unclaimed subject matter and form no part of the claimed design.

1 Claim, 3 Drawing Sheets



(56)

References Cited

U.S. PATENT DOCUMENTS

5,640,852 A 6/1997 Atlas
 D389,639 S 1/1998 Priebe
 D466,412 S 12/2002 Baskinger et al.
 D473,572 S * 4/2003 Linberg D15/90
 D474,209 S 5/2003 Seymour et al.
 D482,373 S 11/2003 Seymour et al.
 D537,851 S * 3/2007 Mount D15/90
 D538,309 S * 3/2007 Mount D15/90
 D595,128 S 6/2009 Bouveret et al.
 D643,298 S 8/2011 Gillespie
 D686,491 S 7/2013 Kuo et al.
 D687,679 S 8/2013 Mikulka
 D691,182 S 10/2013 Chiorazzi et al.
 D711,438 S * 8/2014 Garg D15/90
 D711,439 S * 8/2014 Garg D15/90
 D711,945 S * 8/2014 Garg D15/90
 D712,442 S * 9/2014 Garg D15/90
 D741,919 S 10/2015 Seiders et al.
 D741,920 S 10/2015 Seiders et al.

D747,102 S 1/2016 Kraemer
 D750,498 S 3/2016 Sezanayev
 D754,545 S 4/2016 Sezanayev
 D762,747 S * 8/2016 Glass D15/90
 D764,285 S 8/2016 Akana et al.
 D783,062 S * 4/2017 Seiders D15/90
 D795,313 S * 8/2017 Seiders D15/90
 D797,165 S * 9/2017 Seiders D15/90
 D797,166 S * 9/2017 Seiders D15/90
 D797,821 S * 9/2017 Seiders D15/90
 D803,066 S * 11/2017 Rudolf D9/569
 D804,543 S * 12/2017 Carvajal D15/90
 2009/0048650 A1 2/2009 Junkins

OTHER PUBLICATIONS

<https://www.amazon.com/Yeti-ICE-1lb-Substitute-pack/dp/dp/B01C7Y5DVC/> -Available as early as Apr. 15, 2016.
<https://www.amazon.com/Ice-Packs-Pcs-Reusable-Colorful/dp/B00GWDYD48/> -Available as early as Nov. 25, 2013.

* cited by examiner

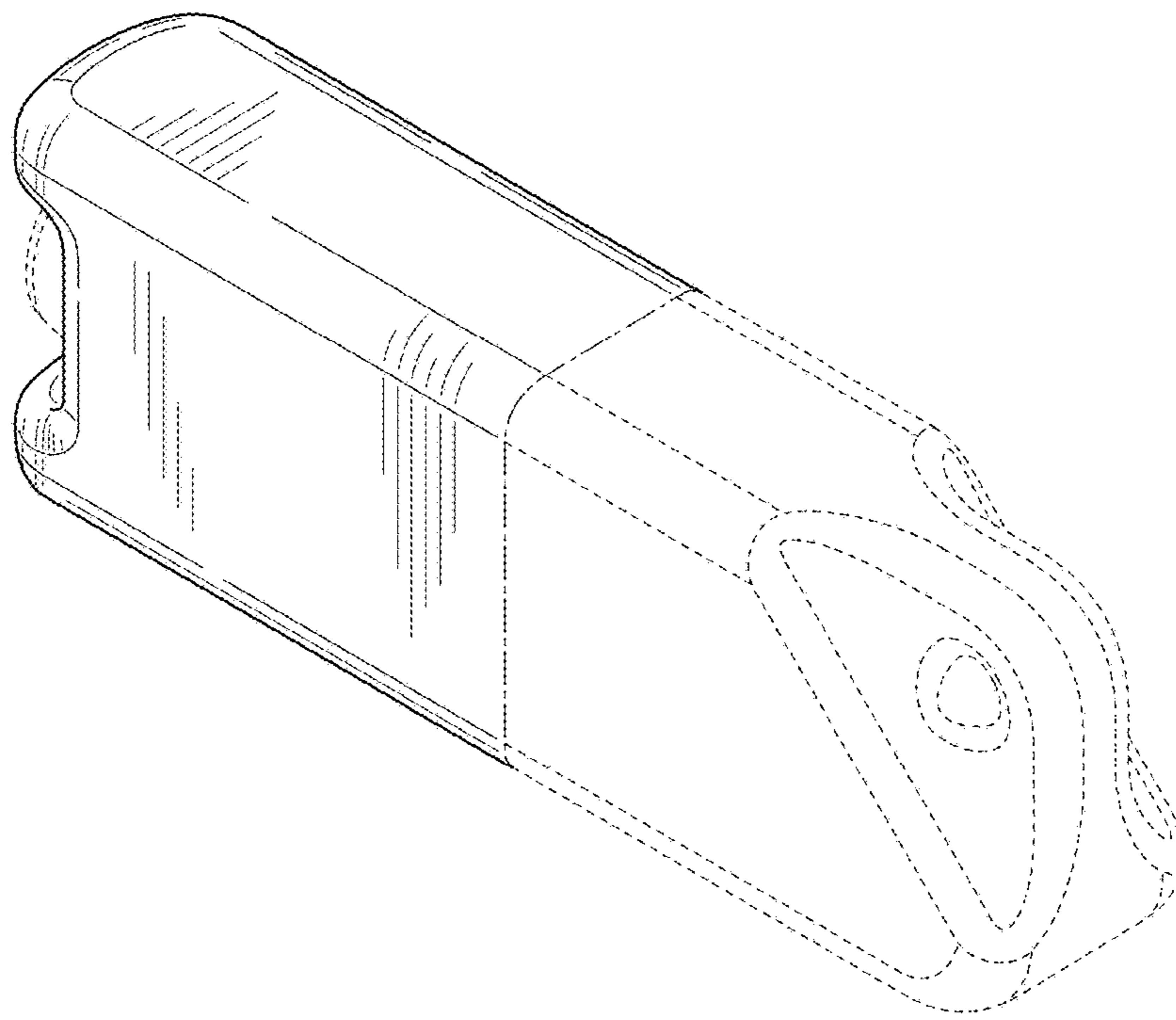


FIG. 1

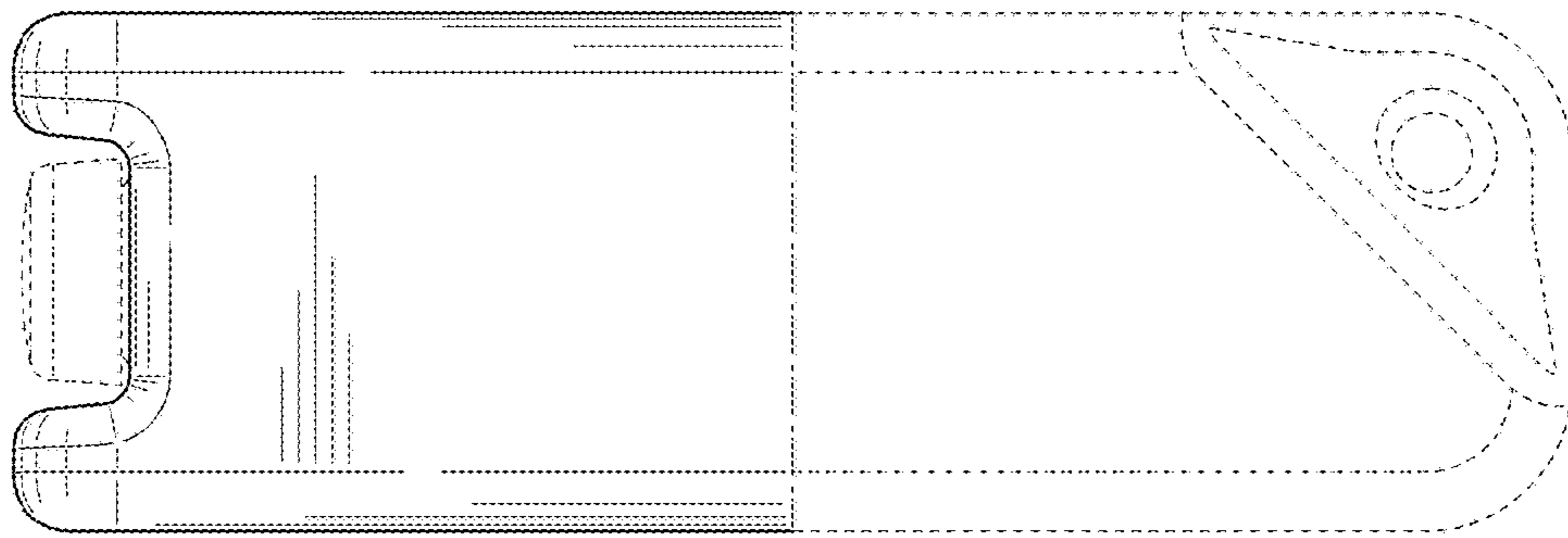


FIG. 2

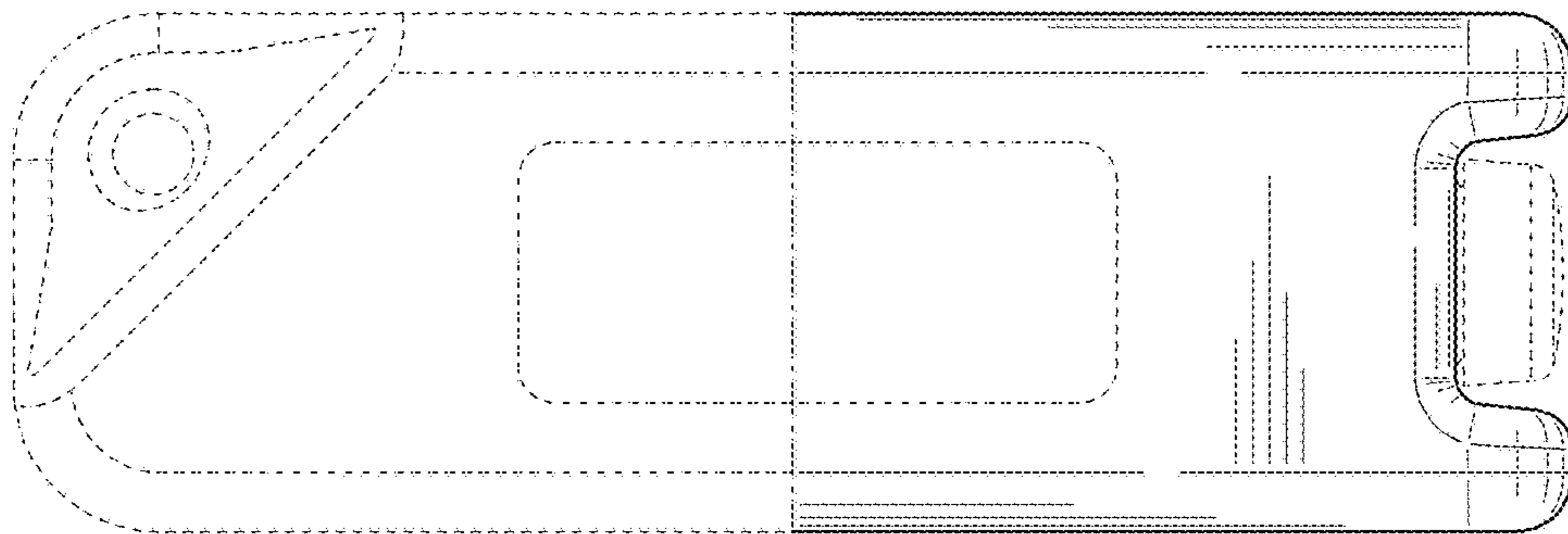


FIG. 3

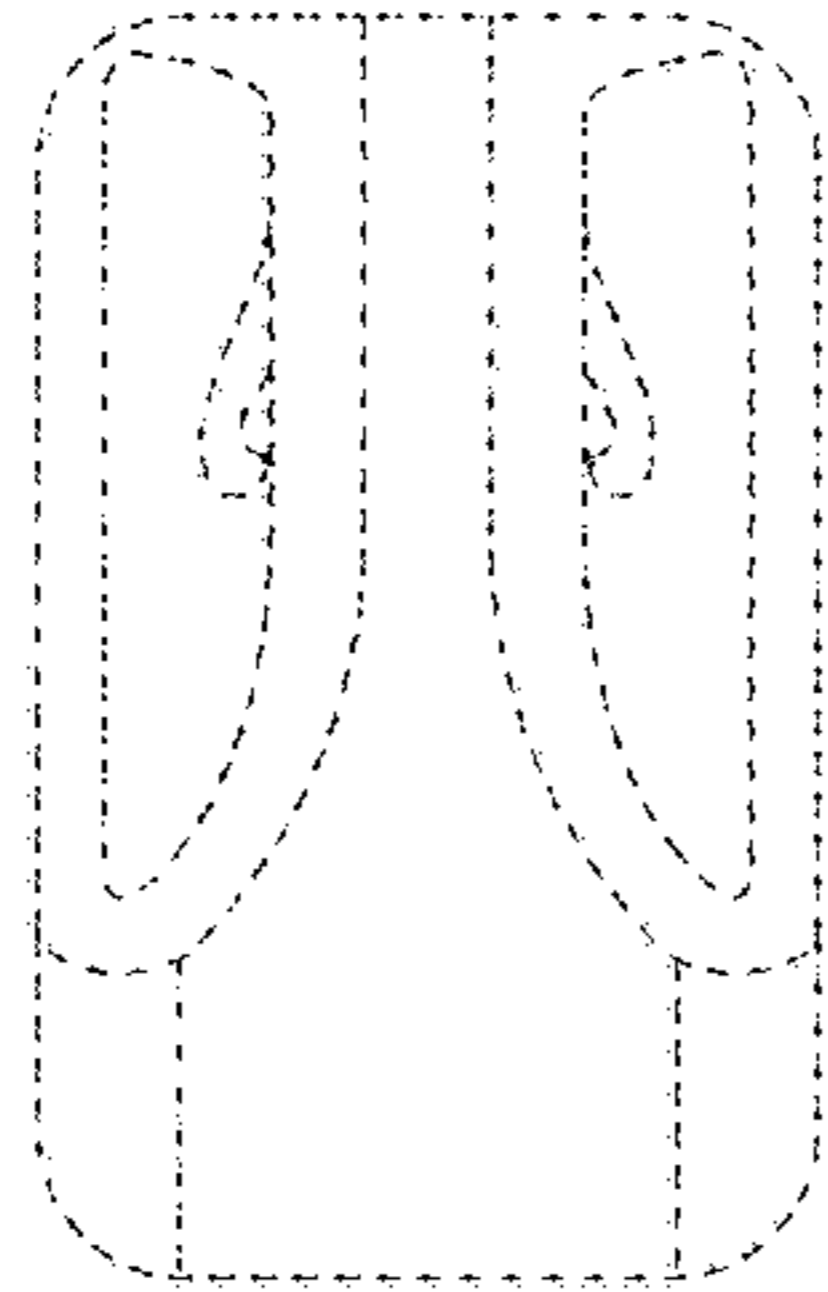


FIG. 4

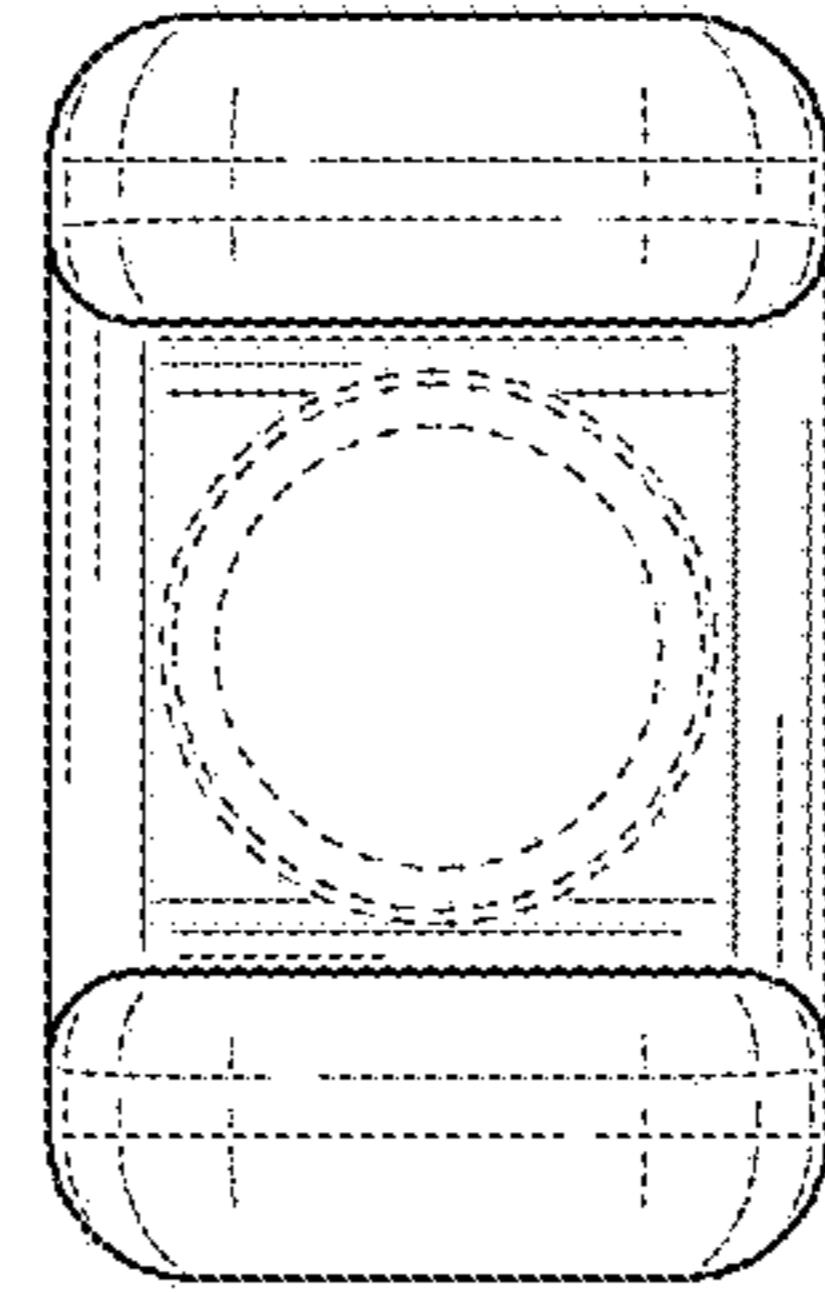


FIG. 5

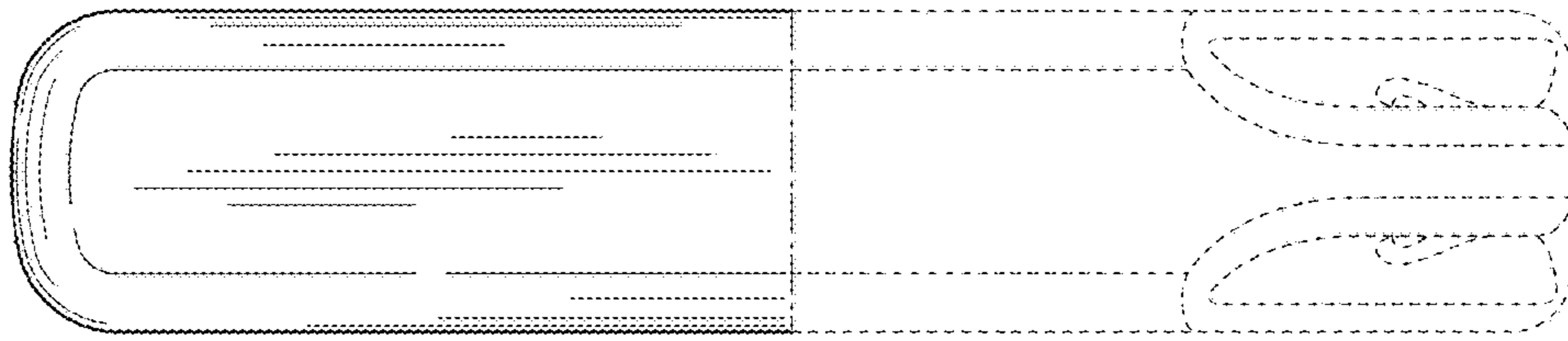


FIG. 6

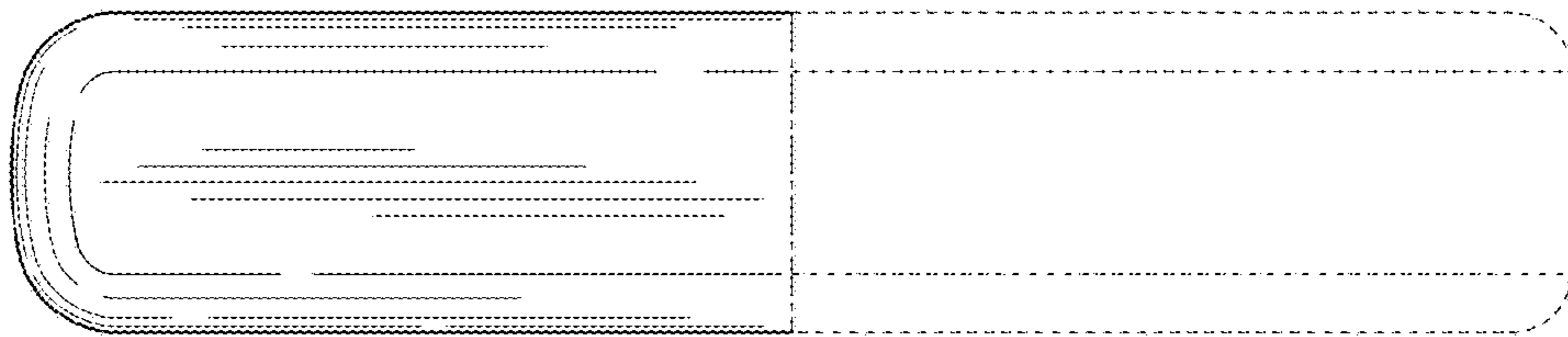


FIG. 7