



US00D851689S

(12) **United States Design Patent** (10) **Patent No.:** **US D851,689 S**
You et al. (45) **Date of Patent:** **** Jun. 18, 2019**

(54) **REFRIGERATOR**

(71) Applicant: **Dayou Winia Co., Ltd.**, Gwangju (KR)

(72) Inventors: **Myung Dong You**, Incheon (KR); **Ye Ji An**, Suwon-si (KR); **Bong Jun Kim**, Incheon (KR); **Jung Sun Park**, Seoul (KR)

(73) Assignee: **Dayou Winia Co., Ltd.**, Gwangju (KR)

(**) Term: **15 Years**

(21) Appl. No.: **29/635,483**

(22) Filed: **Jan. 31, 2018**

(30) **Foreign Application Priority Data**

Jul. 31, 2017 (KR) 30-2017-0035363

(51) **LOC (11) Cl.** **15-07**

(52) **U.S. Cl.**
USPC **D15/81**

(58) **Field of Classification Search**
USPC D15/79-91; D7/603-608; D3/272-274
CPC F25D 17/02; F25D 11/003; F25D 19/003;
F25D 19/02; F25D 21/04; F25D 2201/14;
F25D 2331/803; F25D 2331/805; F25D
23/006; F25D 23/028; F25D 23/065;
F25D 23/066; F25D 23/085; F25D
2400/20; F25D 2400/28; F25D 2400/38;
F25D 2700/16; F25D 29/00; F25D
29/003; F25D 29/005; F25D 31/006;
F25D 31/007

See application file for complete search history.

(56) **References Cited**

U.S. PATENT DOCUMENTS

D439,913 S *	4/2001	Jobst	D15/84
D477,617 S *	7/2003	Resch	D15/83
D483,045 S *	12/2003	Resch	D15/83
D524,330 S *	7/2006	Pedersen	D15/81
D530,346 S *	10/2006	Resch	D15/83
D541,827 S *	5/2007	Resch	D15/83
D548,491 S *	8/2007	Cohen	D6/661.2
D596,651 S *	7/2009	Li	D15/79
D697,954 S *	1/2014	Resch	D15/83

* cited by examiner

Primary Examiner — Khawaja Anwar

(74) *Attorney, Agent, or Firm* — NSIP Law

(57) **CLAIM**

We claim the ornamental design for a refrigerator, as shown and described.

DESCRIPTION

FIG. 1 is a front perspective view of a refrigerator showing our new design;

FIG. 2 is a front view thereof;

FIG. 3 is a rear view thereof;

FIG. 4 is a left-side view thereof;

FIG. 5 is a right-side view thereof;

FIG. 6 is a top view thereof;

FIG. 7 is a bottom view thereof; and,

FIG. 8 is another front perspective view thereof, shown with unclaimed environment.

The broken lines in the figures show portions of the refrigerator which form no part of the claimed design.

1 Claim, 8 Drawing Sheets

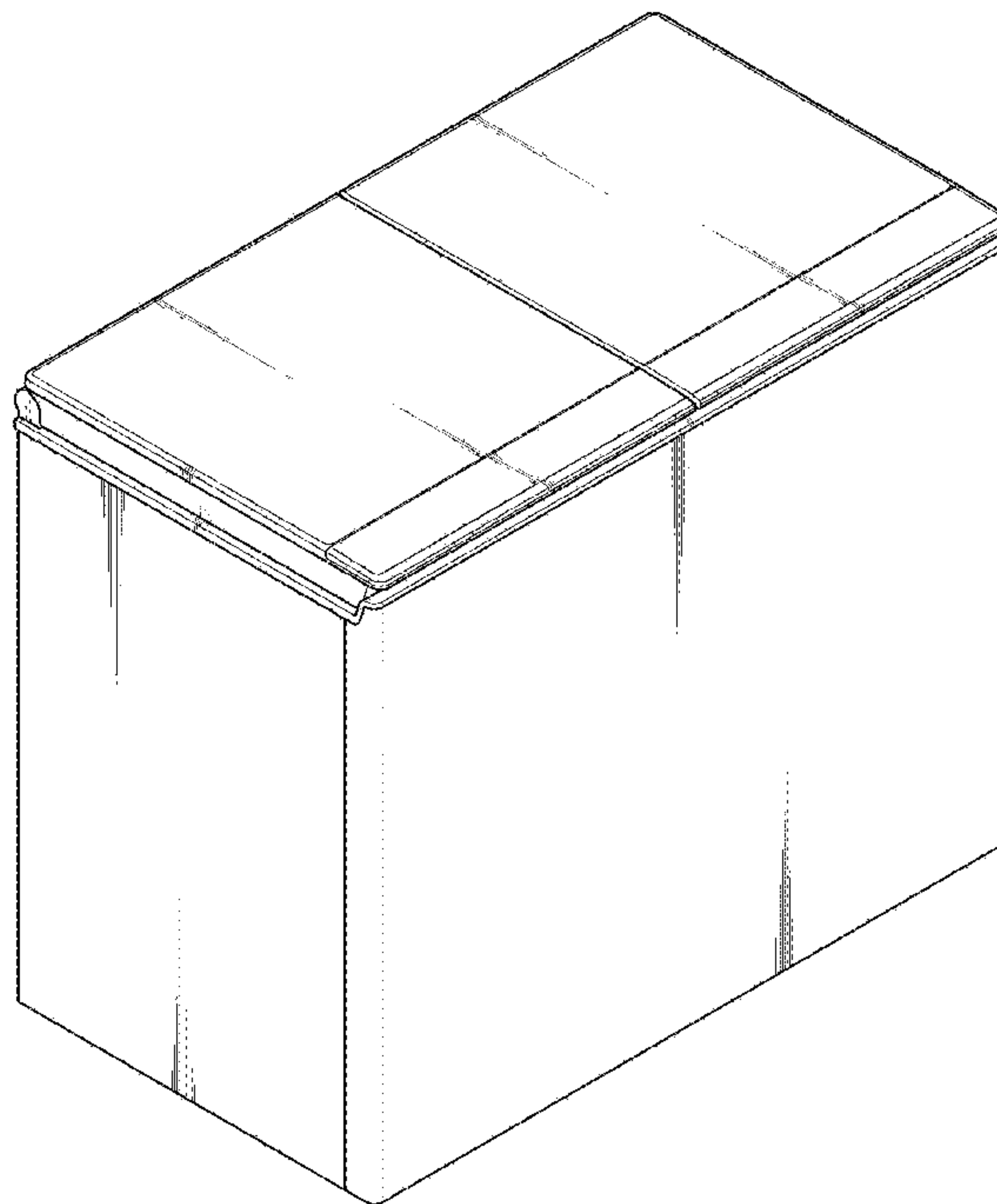


FIG. 1

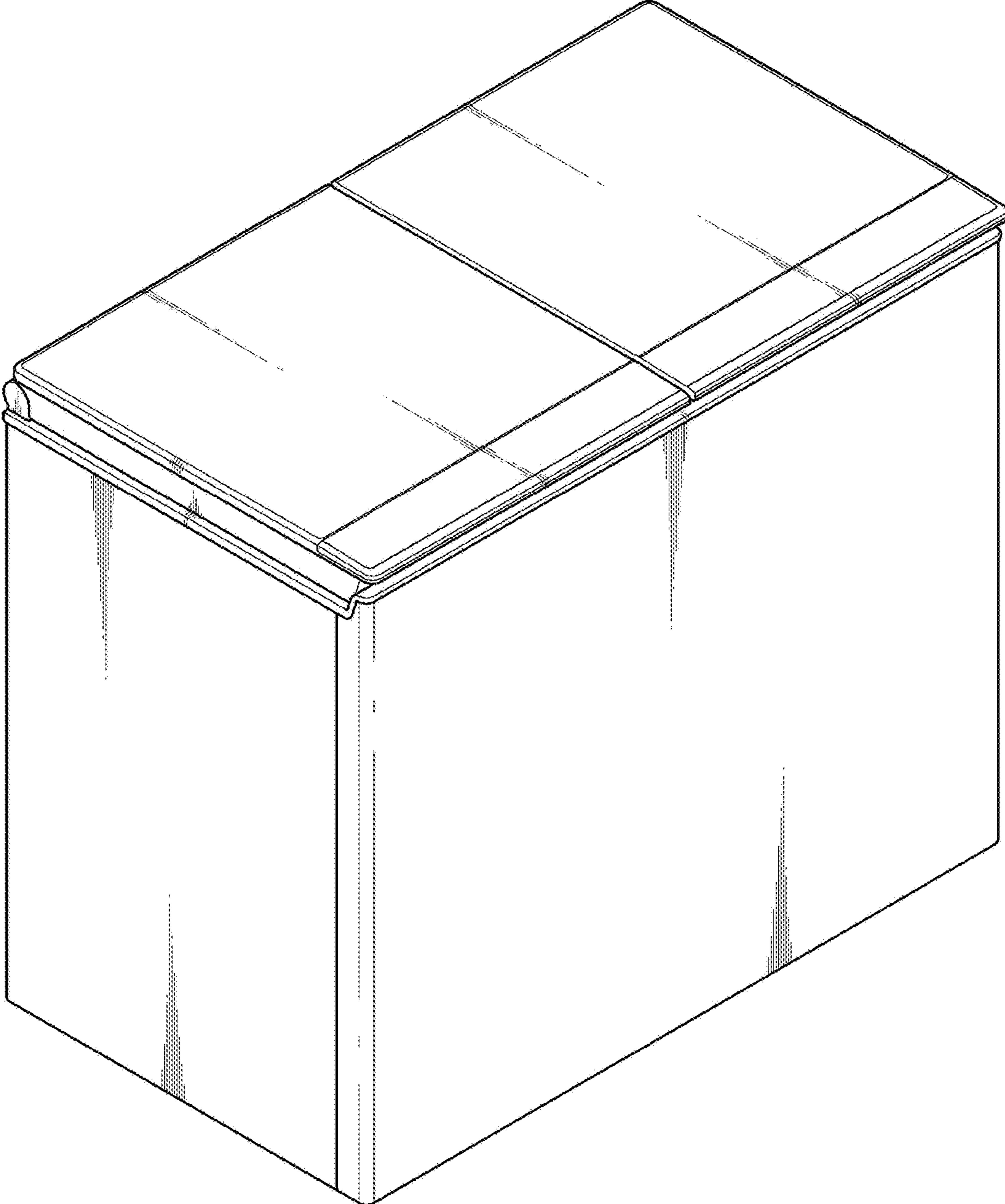


FIG. 2

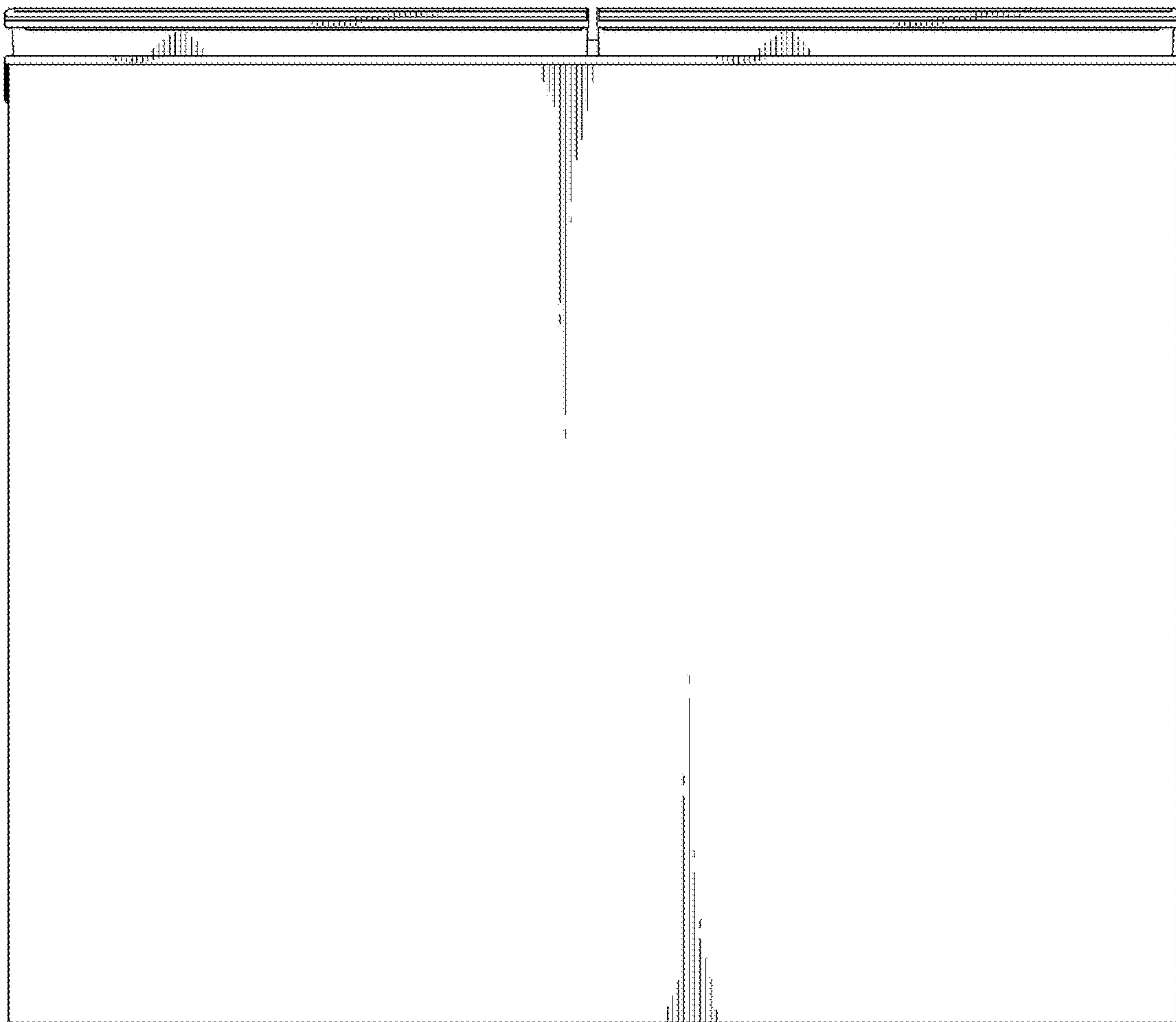


FIG. 3

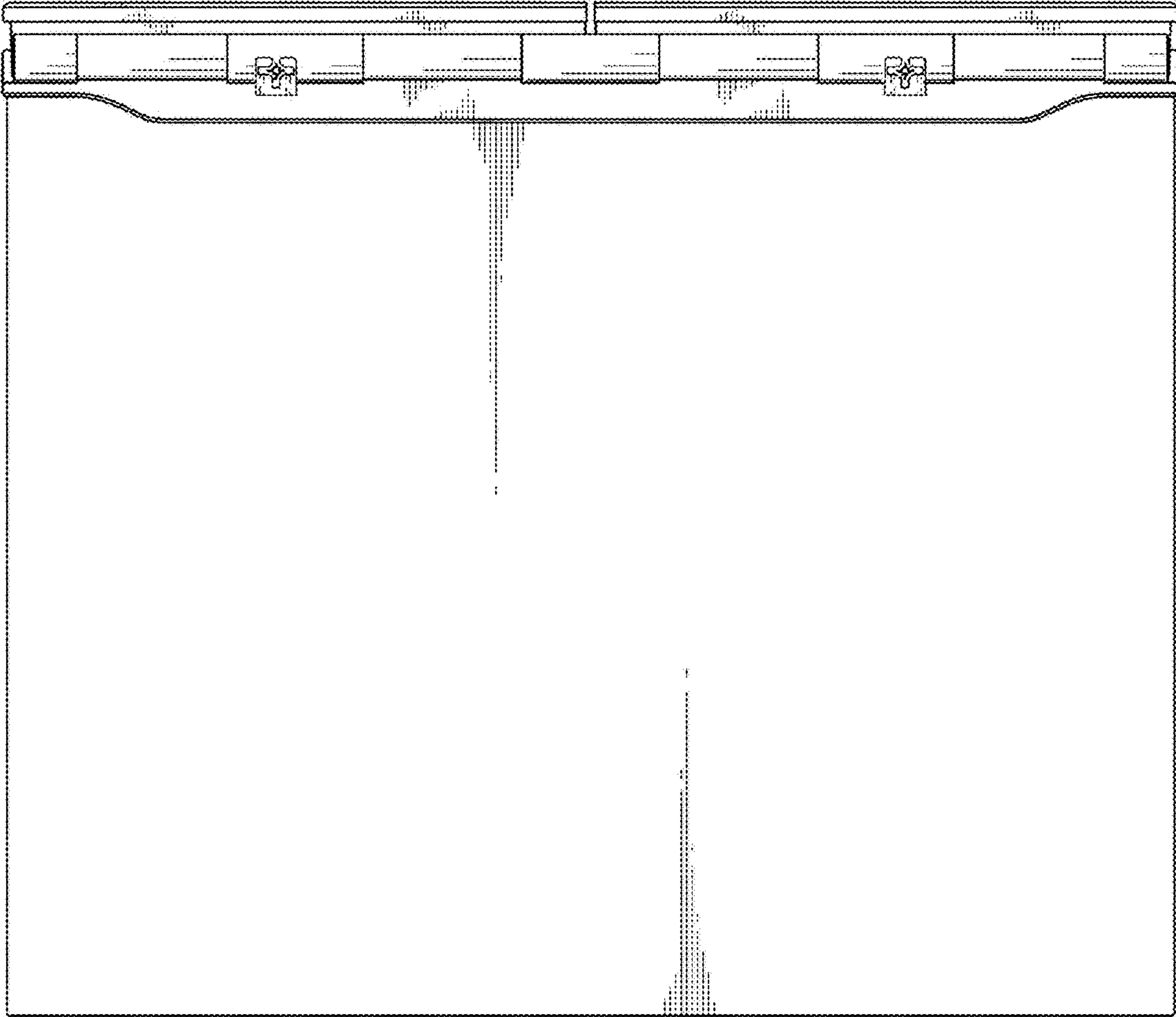


FIG. 4

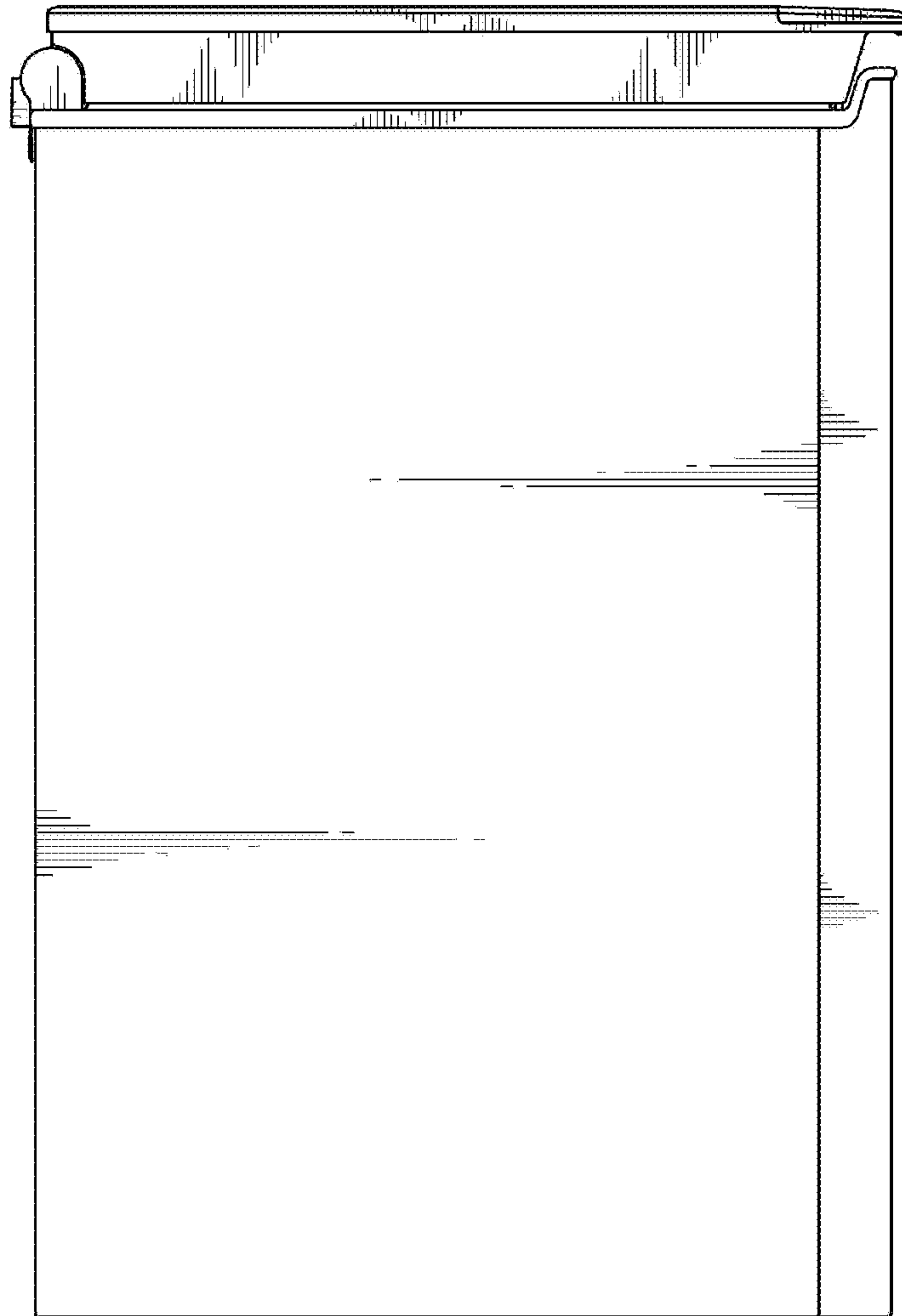


FIG. 5

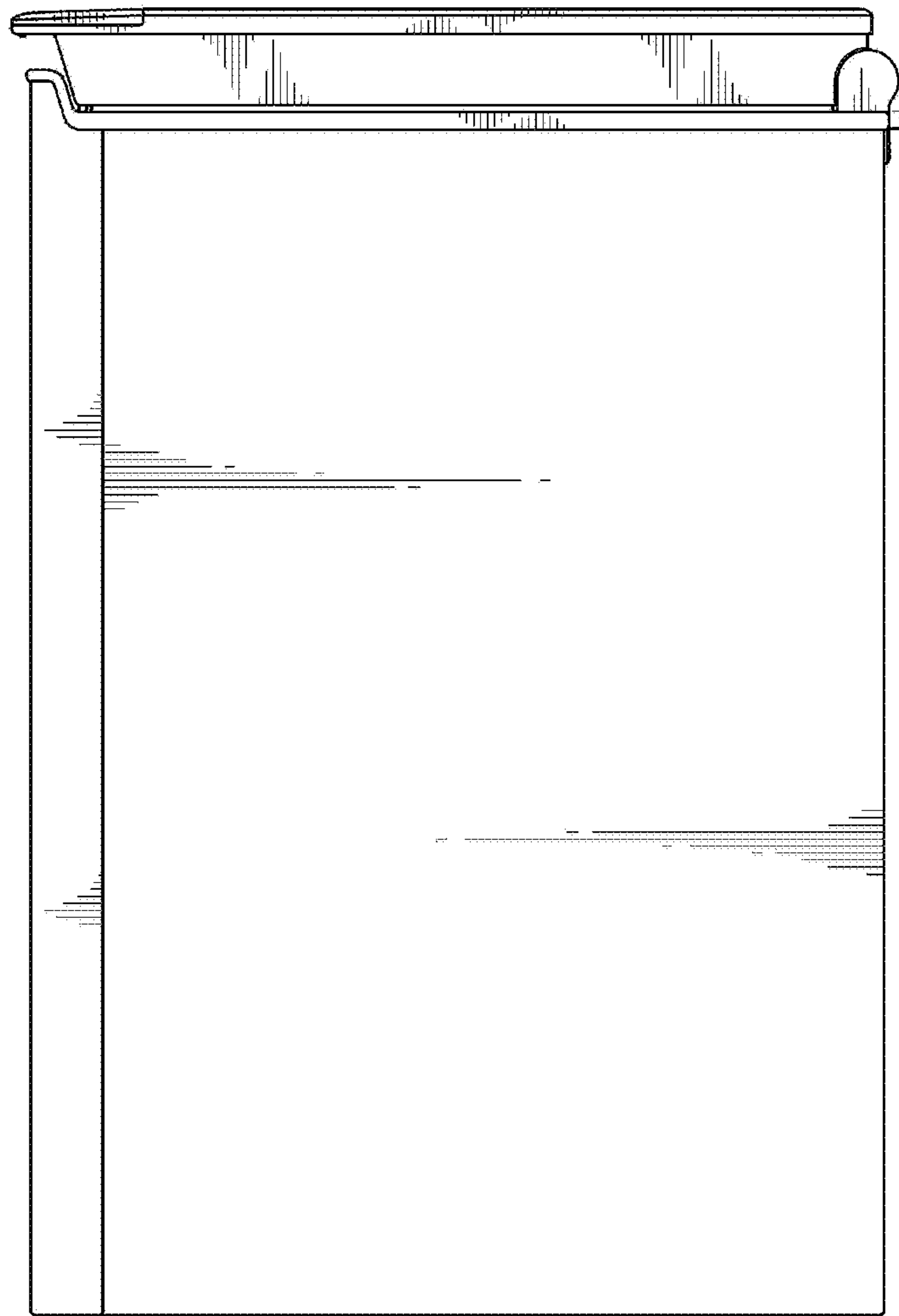


FIG. 6

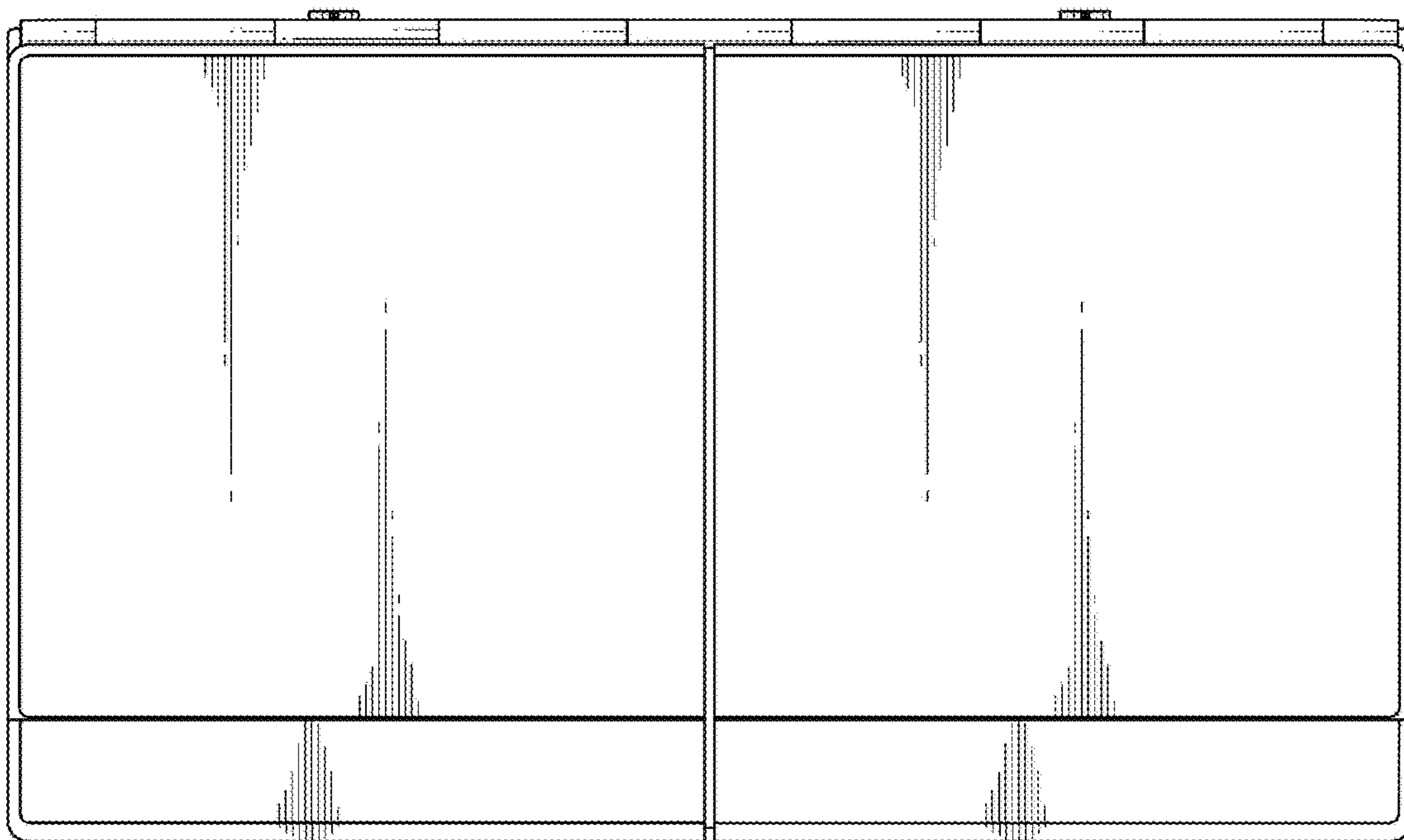


FIG. 7

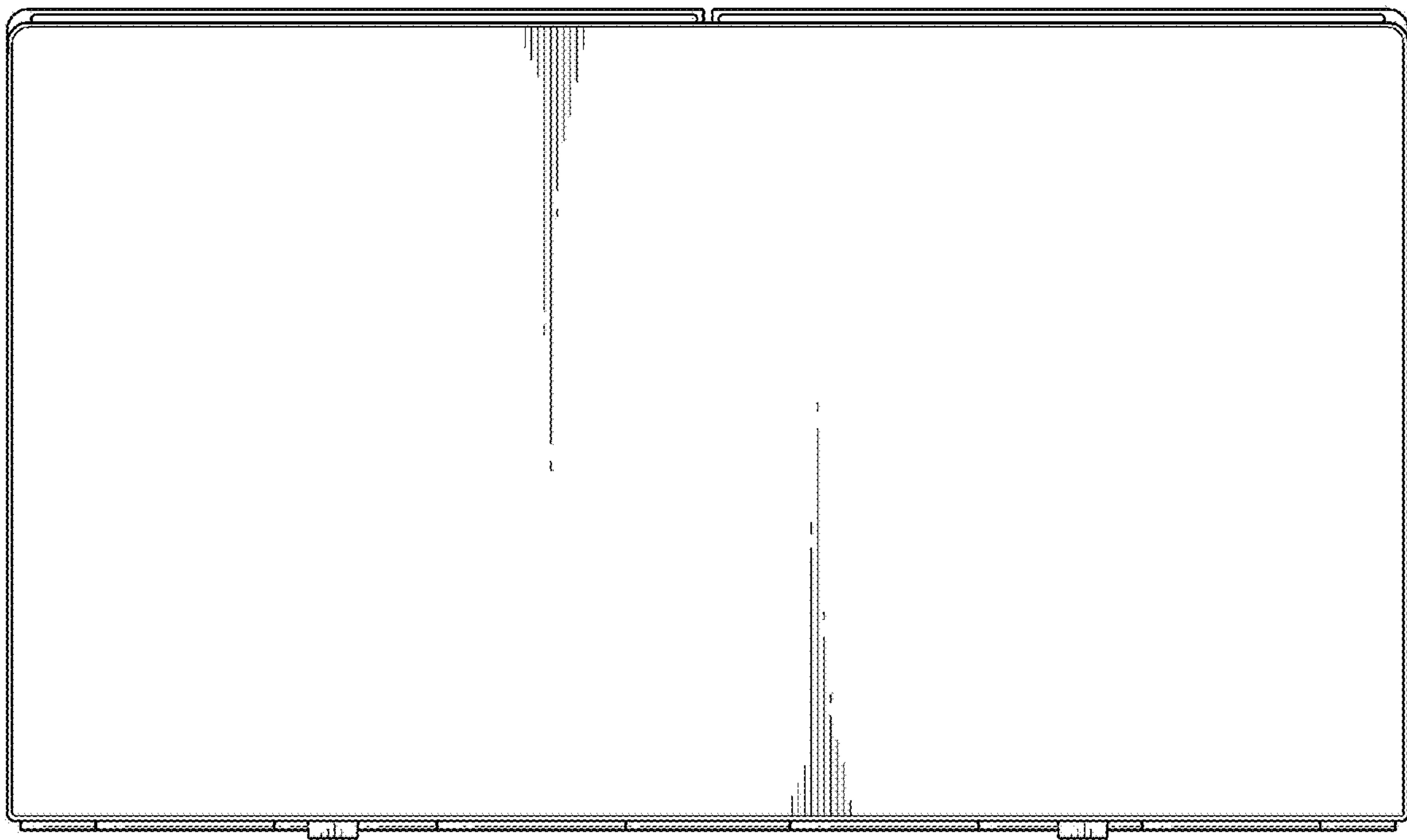


FIG. 8

