



US00D851688S

(12) **United States Design Patent**
Cosgrove et al.

(10) **Patent No.:** **US D851,688 S**
(45) **Date of Patent:** **** Jun. 18, 2019**

(54) **HORIZONTAL DIRECTIONAL DRILL**
(71) Applicant: **The Charles Machine Works, Inc.**,
Perry, OK (US)
(72) Inventors: **Clinton T. Cosgrove**, Perry, OK (US);
Cole J. Rush, Morrison, OK (US); **Pete**
Ramos, Enid, OK (US); **Dirk A.**
Wilson, Stillwater, OK (US); **Seth T.**
Matthesen, Stillwater, OK (US); **David**
Thimm, Plymouth, MI (US); **Josiah**
LaColla, Farmington Hills, MI (US)

D264,590 S * 5/1982 Thomas D15/21
D267,719 S * 1/1983 Case D15/21
4,371,041 A * 2/1983 Becker E21B 3/02
173/147
4,449,592 A * 5/1984 Mayer E21B 19/20
173/164
5,806,616 A * 9/1998 Enlund B60G 17/005
180/9.52
5,844,133 A * 12/1998 Goto E21B 44/00
73/152.54

(Continued)

(73) Assignee: **The Charles Machine Works, Inc.**,
Perry, OK (US)

OTHER PUBLICATIONS
The Charles Machine Works, Inc., "JT20 Horizontal Directional
Drill", catalog, 2015, 5 pages.

(Continued)

(**) Term: **15 Years**

Primary Examiner — Mark A Goodwin

(21) Appl. No.: **29/633,898**

(74) *Attorney, Agent, or Firm* — Tomlinson McKinstry,
P.C.

(22) Filed: **Jan. 17, 2018**

(51) **LOC (11) Cl.** **15-03**

(52) **U.S. Cl.**

USPC **D15/21**

(58) **Field of Classification Search**

USPC D15/21, 22–26, 132; 172/52, 162;
173/25, 27, 28, 189, 9.5, 9.52; 73/152.4,
73/152.46; 180/9.1–9.44, 9.54, 9.62, 41,
180/6.48, 9.6

CPC E21B 7/023; E21B 7/024; E21B 7/022;
E21B 7/02; E21B 7/027; E21B 3/02;
B60G 17/005; B60G 2300/09; B60G
2300/32; B60G 2300/40; B62D 55/116;
B62D 55/104

See application file for complete search history.

(56) **References Cited**

U.S. PATENT DOCUMENTS

D226,262 S * 2/1973 Trueblood D12/96
D253,535 S * 11/1979 Schmidt D15/21

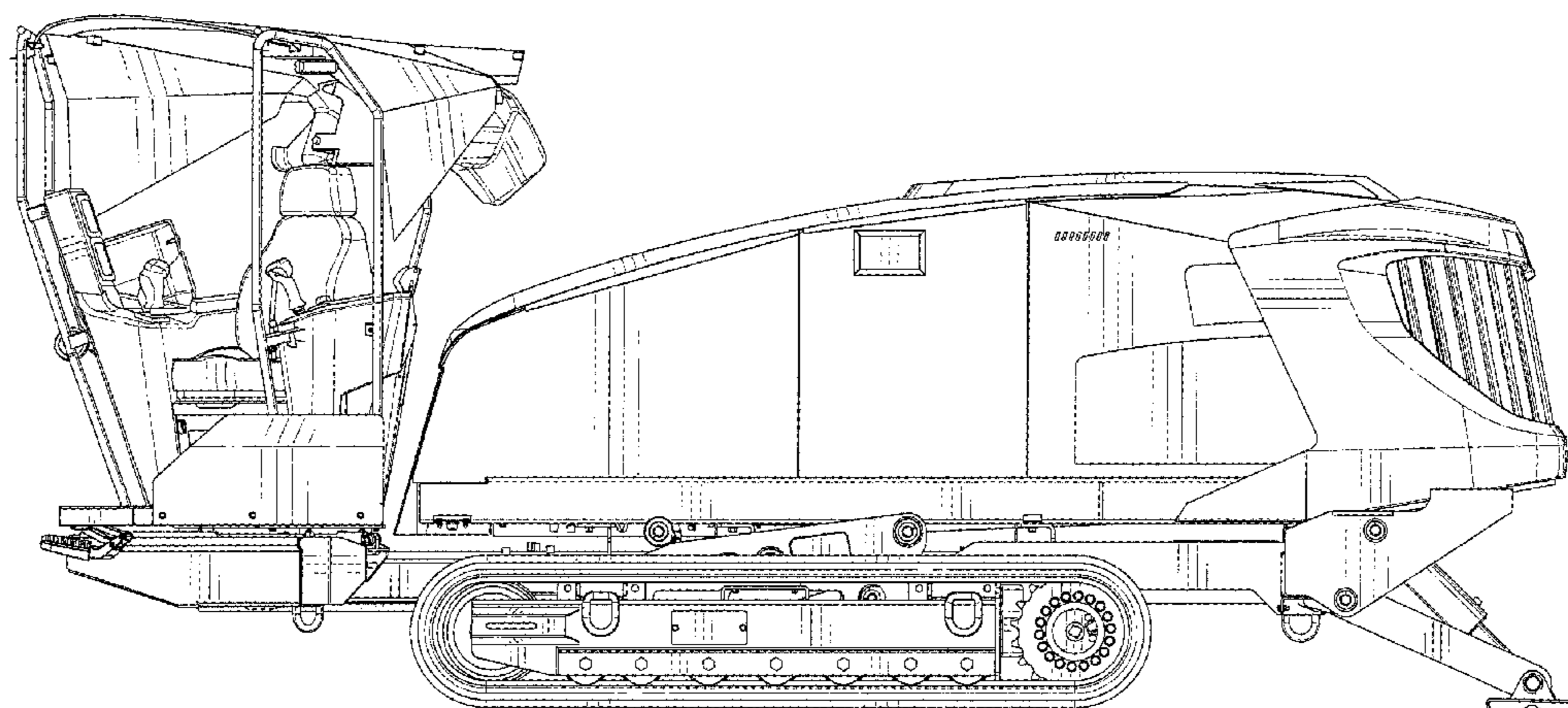
(57) **CLAIM**

The ornamental design for a horizontal directional drill, as
shown and described.

DESCRIPTION

FIG. 1 is a right side view of a horizontal directional drill,
showing our design.
FIG. 2 is a back right top perspective view thereof.
FIG. 3 is a left side view thereof.
FIG. 4 is a back view thereof.
FIG. 5 is a front view thereof.
FIG. 6 is a back left top perspective view thereof.
FIG. 7 is a top view thereof.
FIG. 8 is a back view with a canopy removed.
FIG. 9 is a front view thereof with the canopy removed.
FIG. 10 is a right side view with the canopy removed; and,
FIG. 11 is a back right top perspective view with the canopy
removed.

1 Claim, 11 Drawing Sheets



(56)

References Cited

U.S. PATENT DOCUMENTS

5,941,324	A *	8/1999	Bennett	E21B 19/155 166/77.51
D413,907	S *	9/1999	Suzaki	D15/132
D453,023	S *	1/2002	Kaneko	D15/21
D477,332	S *	7/2003	Bennett	D15/21
D506,483	S *	6/2005	Saari	D15/132
D725,156	S *	3/2015	Saari	D15/21
9,091,125	B2 *	7/2015	Konduc	E21B 15/00
D780,812	S *	3/2017	Niemczyk	D15/21
2008/0142235	A1 *	6/2008	Jacobsson	B60K 11/04 173/27

OTHER PUBLICATIONS

The Charles Machine Works, Inc., "JT60 Horizontal Directional Drill", catalog, 2017, 3 pages.
 The Charles Machine Works, Inc., "JT30 Horizontal Directional Drill", catalog, 2015, 3 pages.
 Toro, "Toro Horizontal Directional Drills", pages from website, 2018, 2 pages.

Vermeer, "D100x120 Series II Navigator Horizontal Directional Drill", catalog, Apr. 2013, 6 pages.
 Vermeer, "D220x300 Navigator Horizontal Directional Drill", catalog, 2015, 2 pages.
 Vermeer, "D330x500 Navigator Horizontal Directional Drill", catalog, Oct. 2015, 2 pages.
 Vermeer, "D6x6 Navigator Horizontal Directional Drill", catalog, Dec. 2015, 2 pages.
 Vermeer, "D8x12 Navigator Horizontal Directional Drill", catalog, Oct. 2017, 2 pages.
 Vermeer, "D40x55DR S3 Navigator Horizontal Directional Drill", catalog, Apr. 2018, 2 pages.
 Vermeer, "D36x50DR Series II Navigator Horizontal Directional Drill", catalog, Mar. 2016, 2 pages.
 Vermeer, "D60x90 S3 Navigator Horizontal Directional Drill", catalog, May 2016, 2 pages.
 Vermeer, "D24x40 S3 Navigator Horizontal Directional Drill", catalog, Jan. 2016, 2 pages.
 Vermeer, "D20x22 S3 Navigator Horizontal Directional Drill", catalog, Mar. 2016, 2 pages.

* cited by examiner

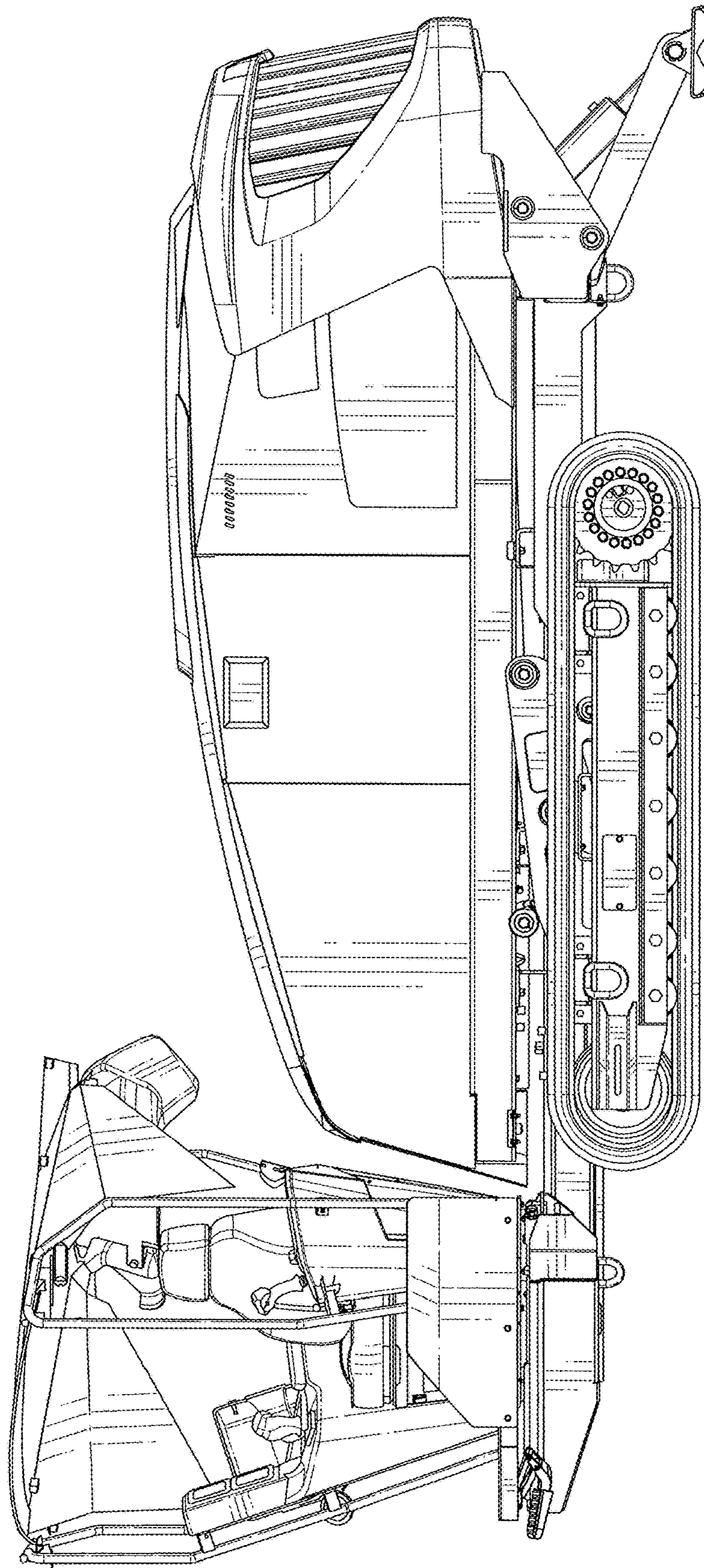


FIG. 1

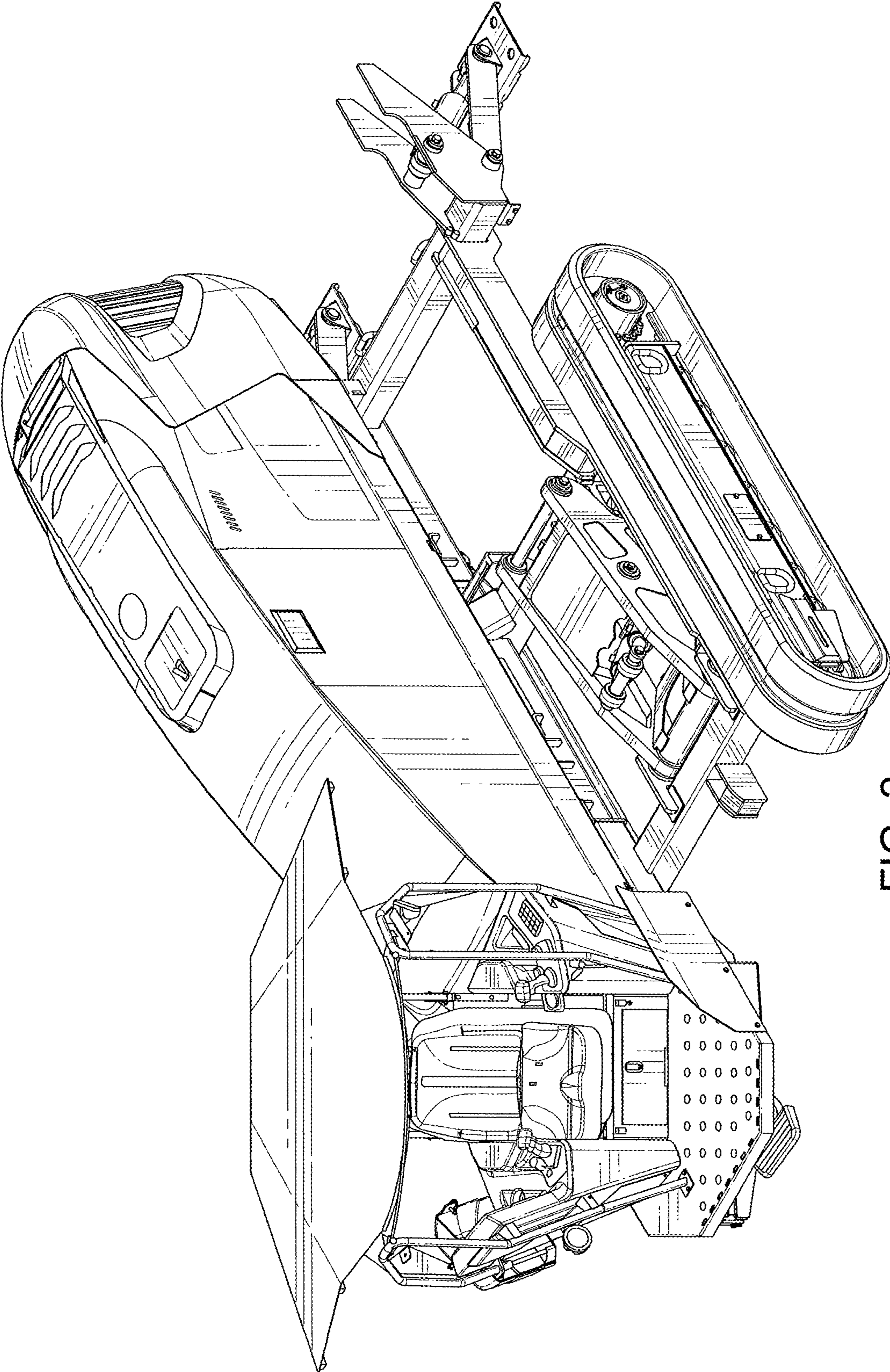


FIG. 2

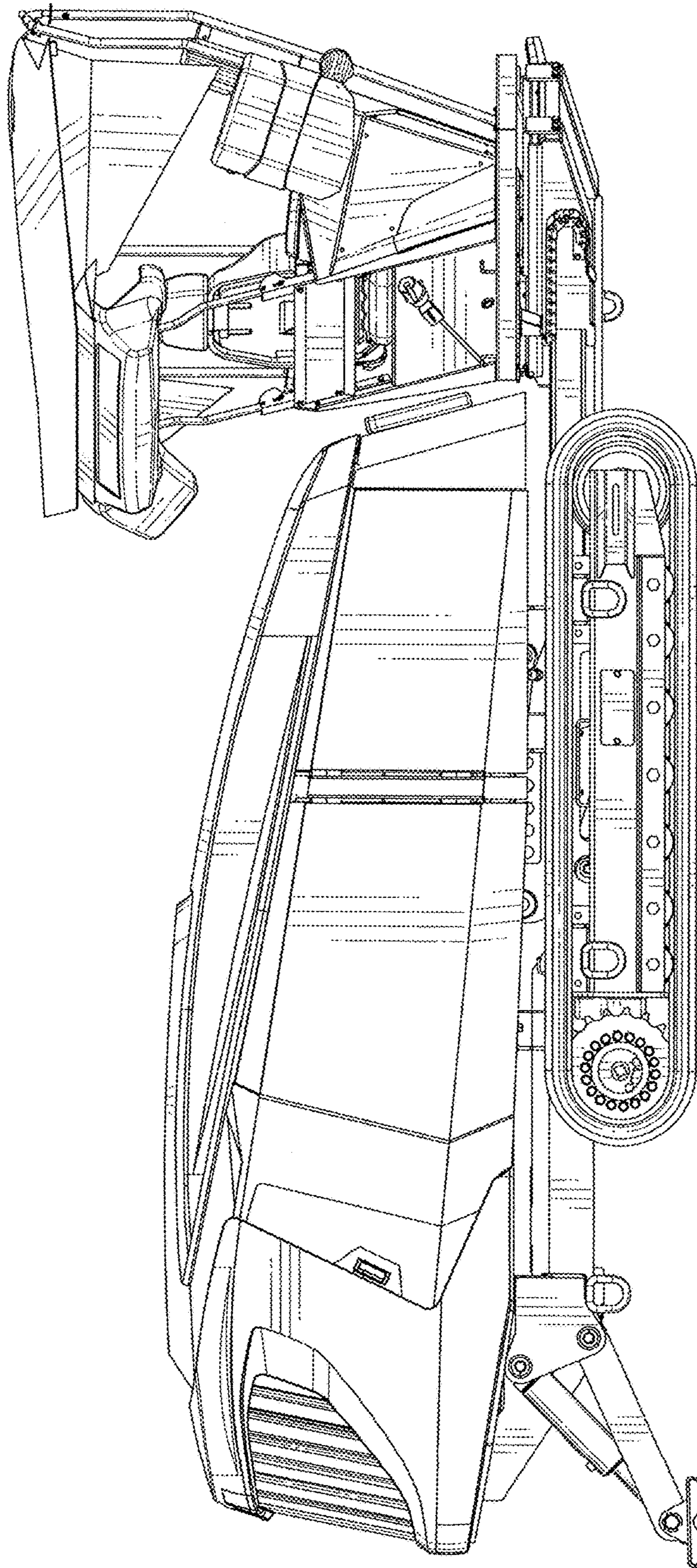


FIG. 3

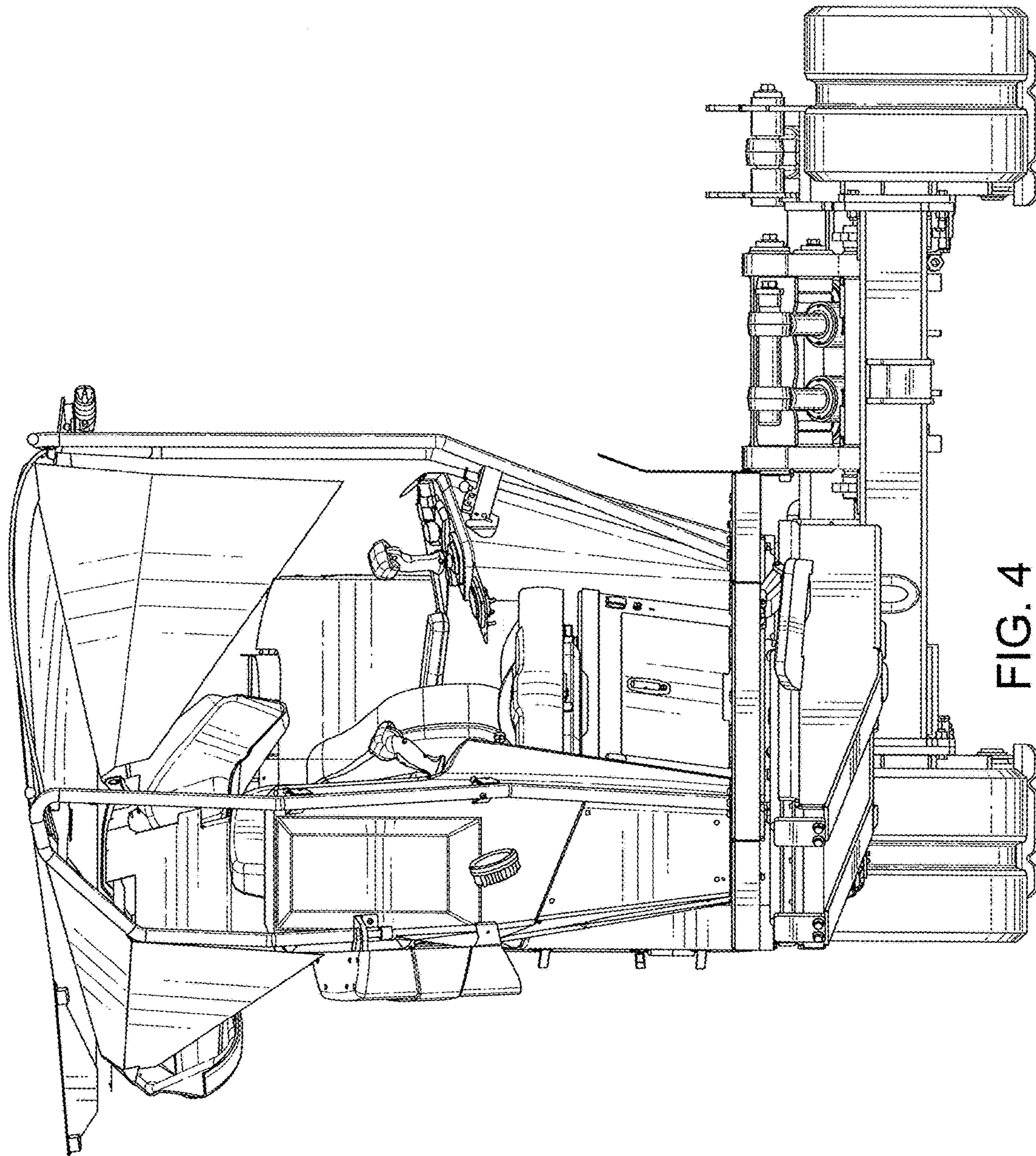


FIG. 4

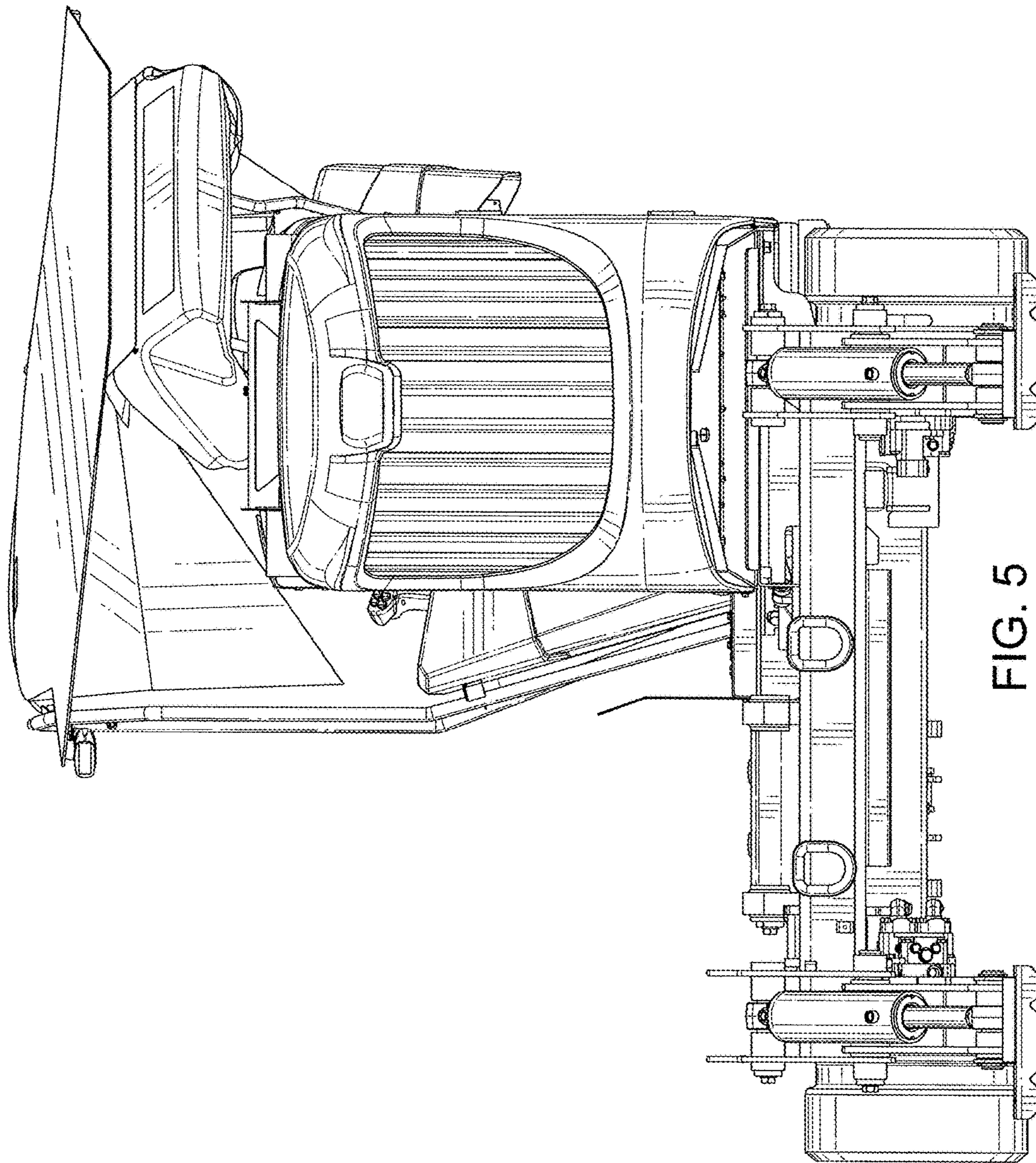


FIG. 5

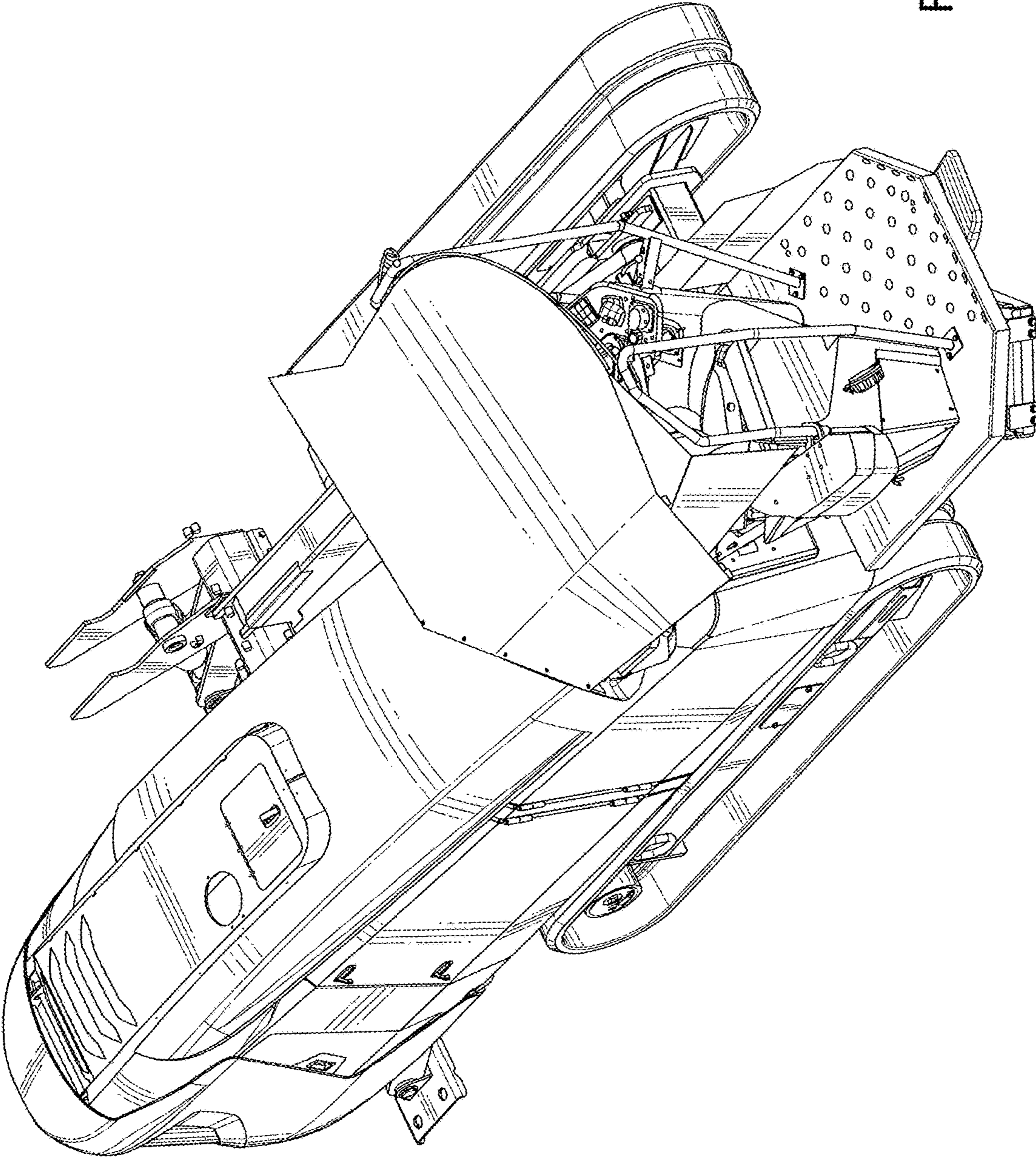


FIG. 6

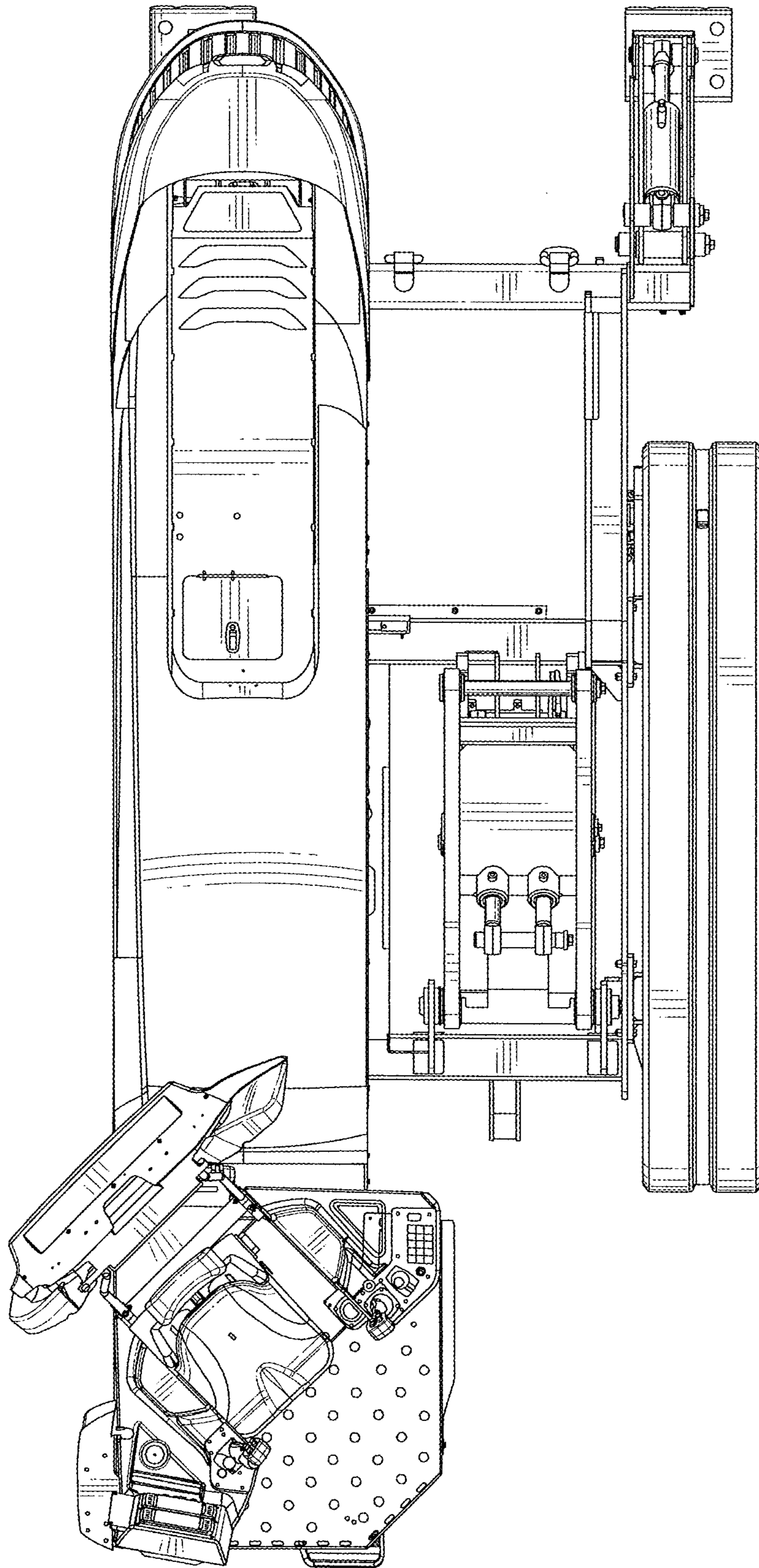


FIG. 7

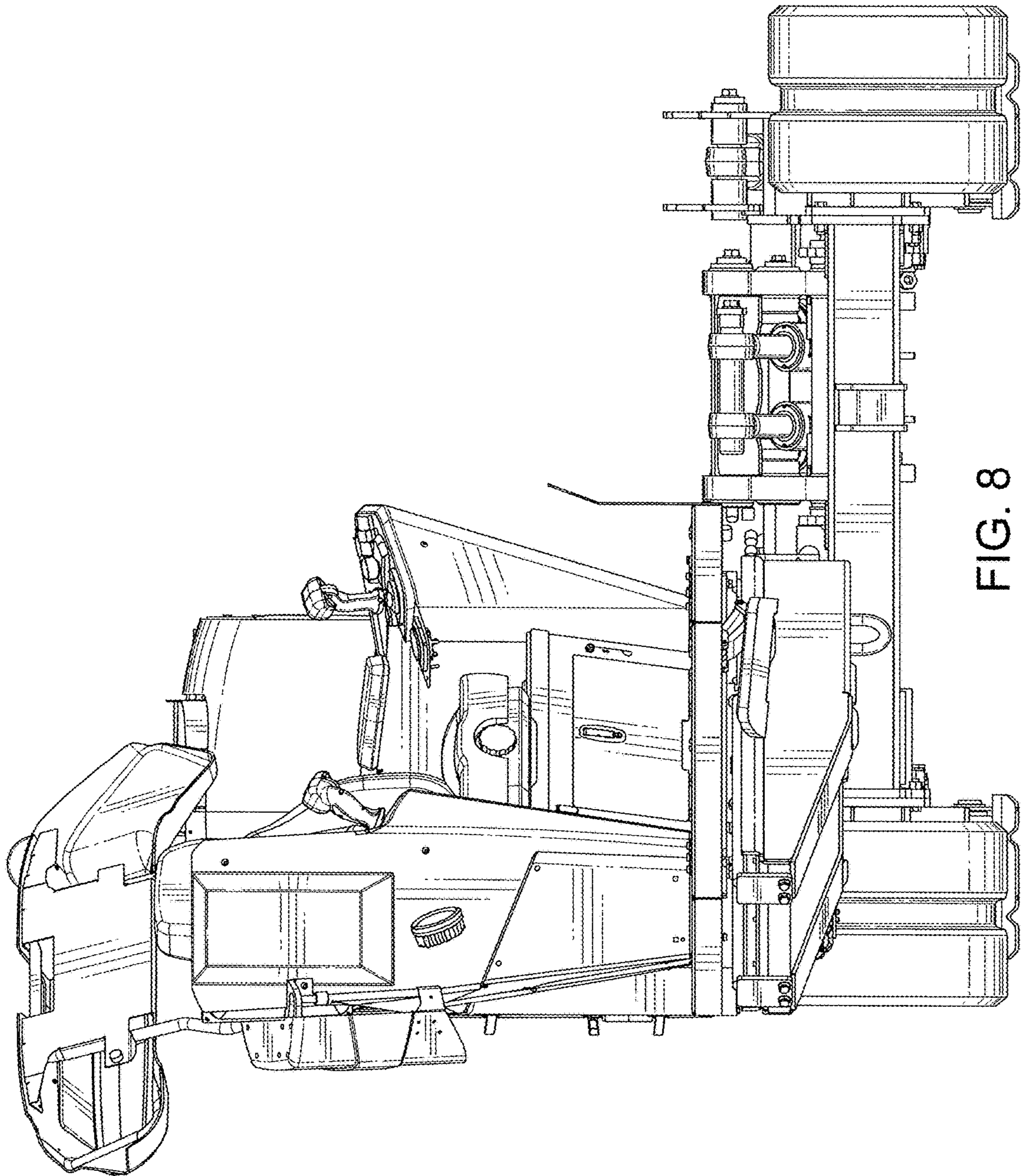


FIG. 8

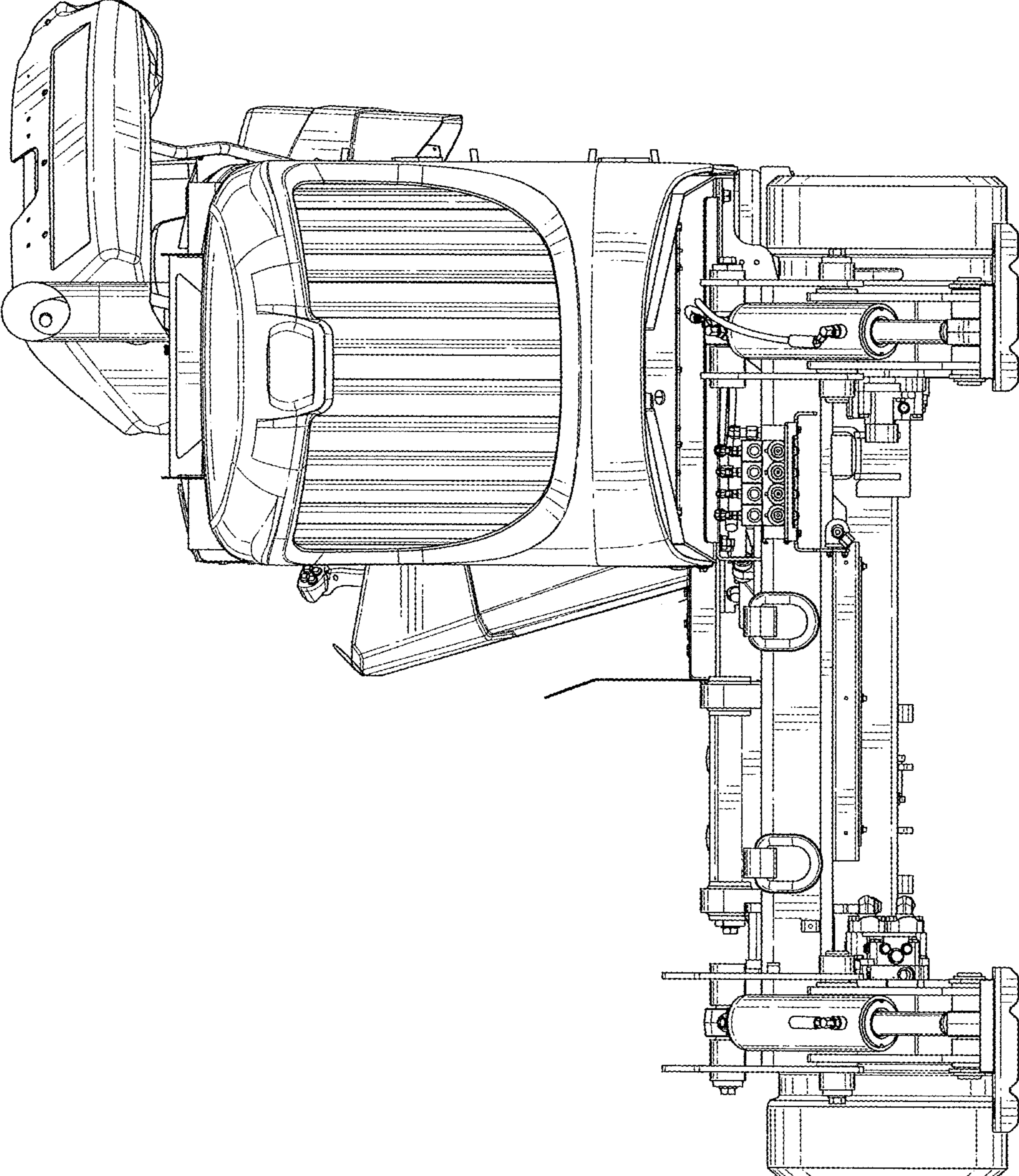


FIG. 9

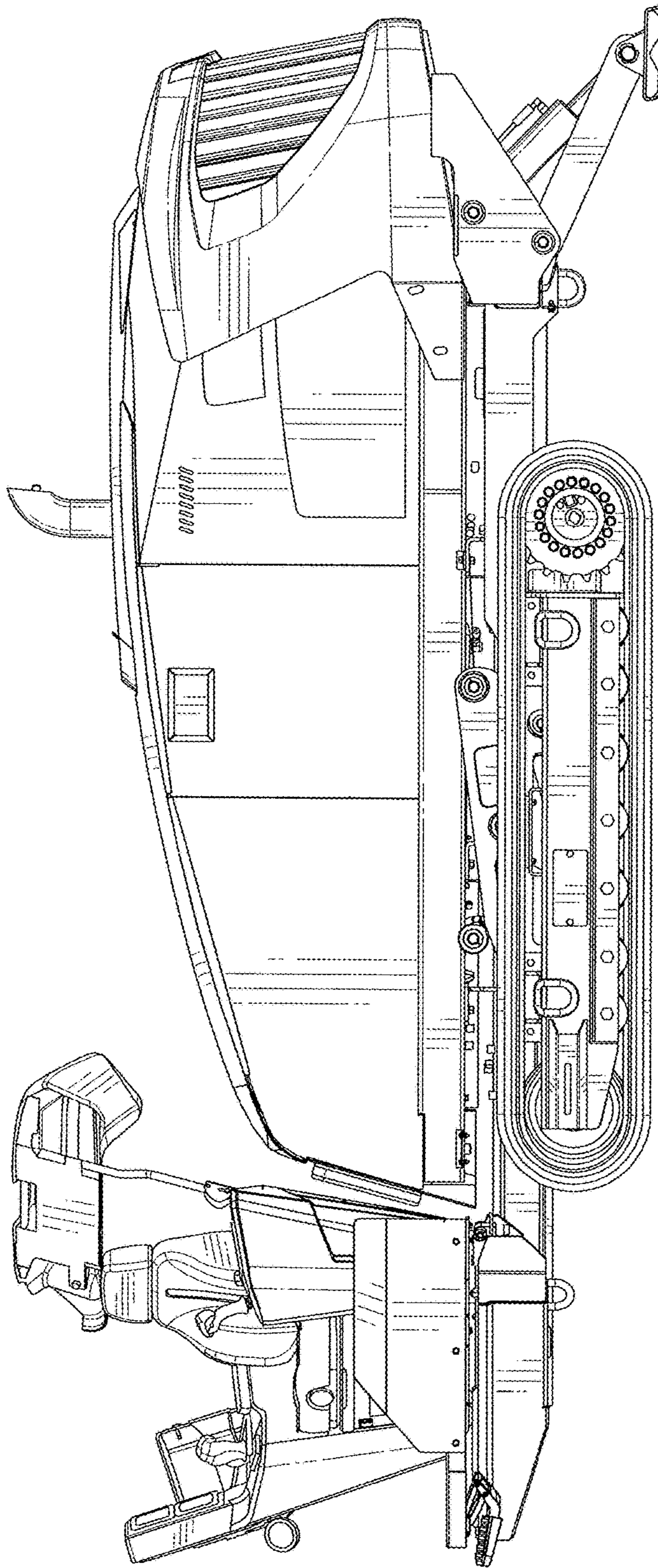


FIG. 10

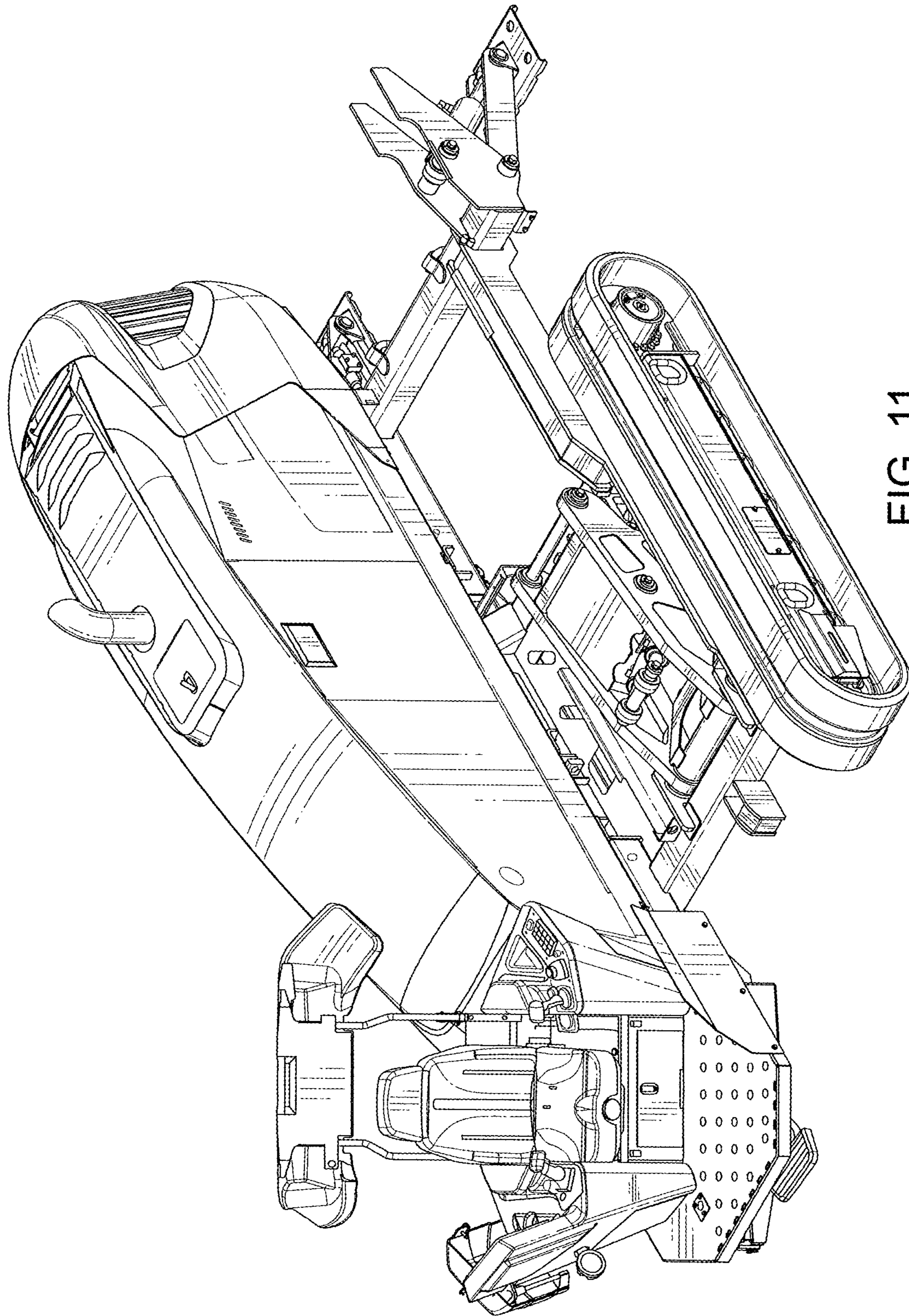


FIG. 11