



US00D851687S

(12) **United States Design Patent** (10) **Patent No.:** **US D851,687 S**
Kroll et al. (45) **Date of Patent:** **** *Jun. 18, 2019**

- (54) **SEED TENDER LOAD CELL**
- (71) Applicants: **William P. Kroll**, Medina, MN (US);
Randie Evenson, Blaine, MN (US)
- (72) Inventors: **William P. Kroll**, Medina, MN (US);
Randie Evenson, Blaine, MN (US)
- (73) Assignee: **Intercomp Company**, Medina, MN (US)
- (*) Notice: This patent is subject to a terminal disclaimer.
- (**) Term: **15 Years**
- (21) Appl. No.: **29/544,409**
- (22) Filed: **Nov. 3, 2015**
- (51) **LOC (11) Cl.** **15-03**
- (52) **U.S. Cl.**
USPC **D15/13**
- (58) **Field of Classification Search**
USPC D15/10, 11, 13, 20, 21, 26, 27, 28, 29,
D15/32, 199
CPC . E02F 3/404; E02F 3/962; E02F 3/407; E02F 3/40; E02F 3/4075; E02F 3/964; E02F 3/963; E02F 3/34; E02F 3/3604; E02F 3/3631; E02F 3/384; E02F 3/4135; E02F 3/8152; E02F 3/965; E02F 3/301; E02F 3/3414; E02F 3/3627; E02F 3/36; E02F 3/3411; E02F 3/3622; E02F 3/3636; E02F 3/364; E02F 3/3645; E02F 3/3677; E02F 3/401; E02F 3/431; E02F 3/627; E02F 3/6273; E02F 3/64; E02F 3/6418; E02F 3/653; E02F 3/815; E02F 3/8155; E02F 3/966; E02F 3/09; B65D 88/76; B65D 88/06; B65D 90/205; B65D 90/24; B65D 90/08; B65D 90/028; B65D 88/08; B65D 90/022; B65D 90/22; B65D 19/00; B65D 21/0204; B65D 25/00; B65D 90/00; B65D 90/0033; B65D 90/105; B65D

90/12; B65D 88/005; B65D 25/16; B65D 33/00; B65D 51/16; B65D 77/0466; B65D 7/32; B65D 81/245; B65D 88/00; B65D 88/025; B65D 88/027; B65D 88/04; B65D 88/12; B65D 88/128; B65D 88/1606; B65D 88/1656; B65D 88/524; B65D 88/528; B65D 88/741

See application file for complete search history.

(56) **References Cited**

U.S. PATENT DOCUMENTS

3,393,835 A *	7/1968	Kantor	B60P 3/426 222/105
D687,866 S *	8/2013	Thompson	D15/28
D687,867 S *	8/2013	Thompson	D15/28
D693,856 S *	11/2013	Thompson	D15/28
D708,649 S *	7/2014	Rollenhagen	D15/28
D709,935 S *	7/2014	Stevens	D15/199
D765,736 S *	9/2016	Roemer	D15/28

* cited by examiner

Primary Examiner — Khawaja Anwar

(74) *Attorney, Agent, or Firm* — Skinner and Associates; Joel Skinner

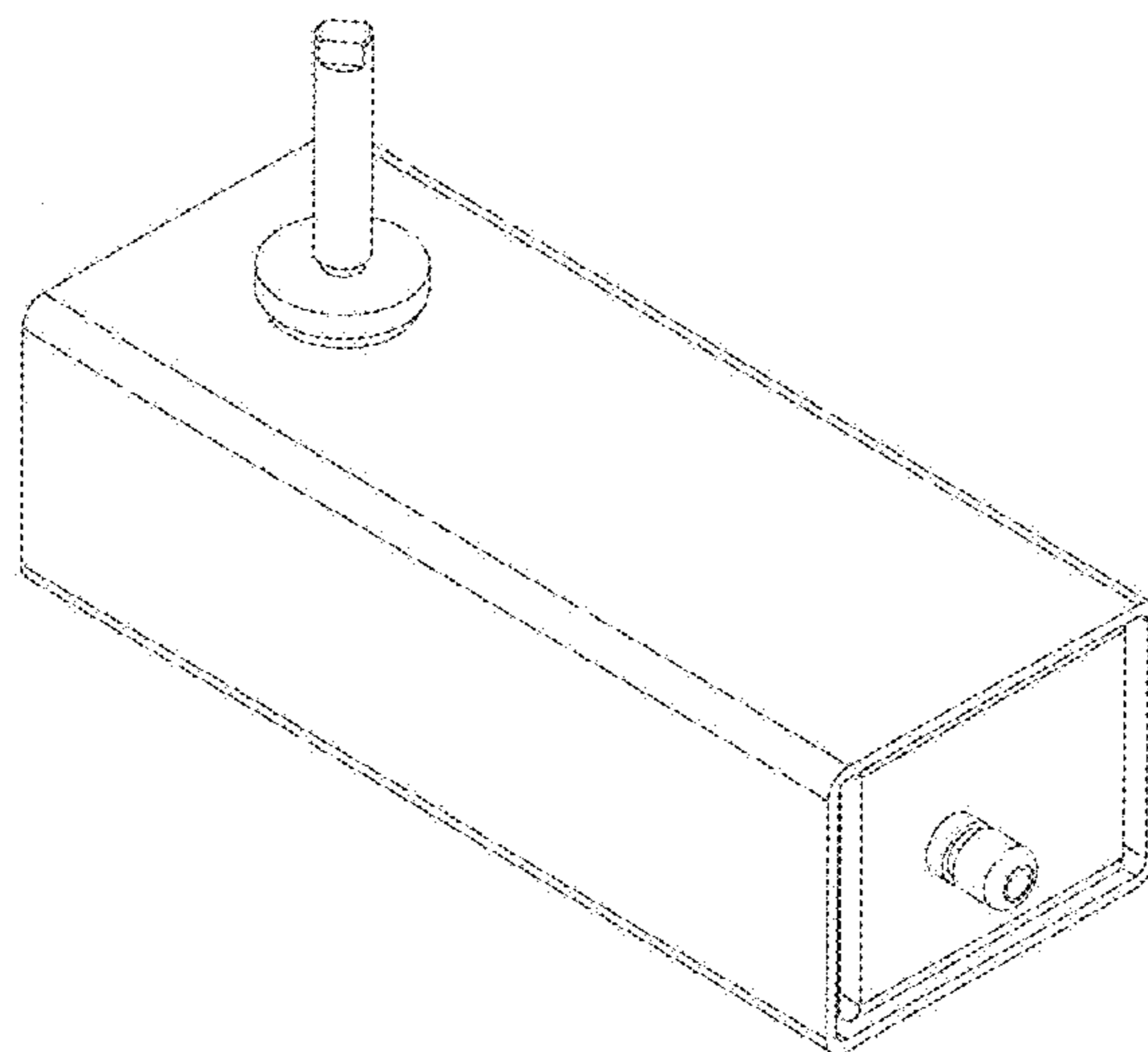
(57) **CLAIM**

The ornamental design for a seed tender load cell, as shown and described.

DESCRIPTION

FIG. 1 is a perspective view of a seed tender load cell, showing our new design.
FIG. 2 is another perspective view thereof.
FIG. 3 is a side elevation view thereof.
FIG. 4 is a bottom view thereof.
FIG. 5 is an end view thereof.
FIG. 6 is a top view thereof; and,
FIG. 7 is an opposite end view thereof.

1 Claim, 7 Drawing Sheets



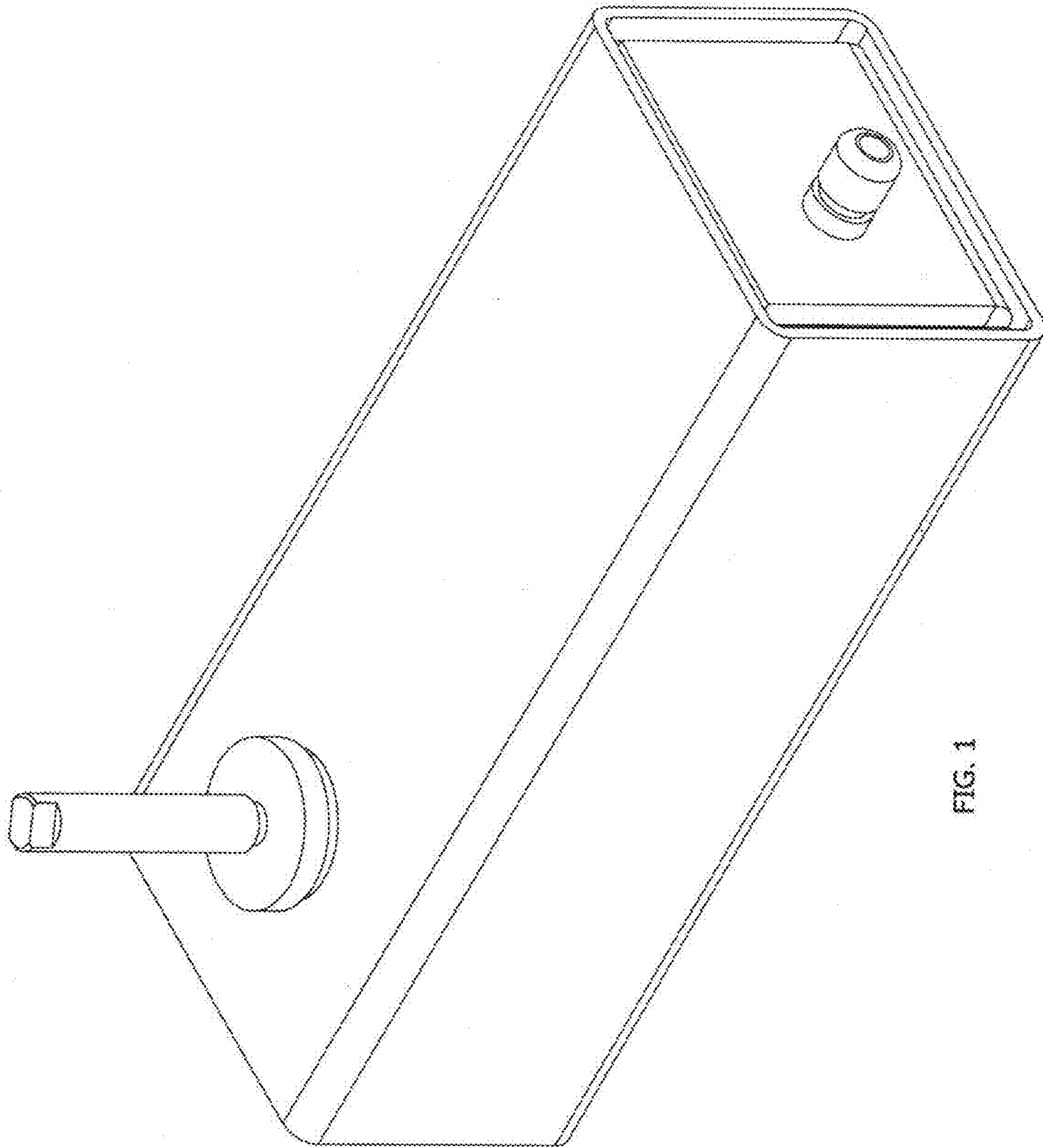


FIG. 1

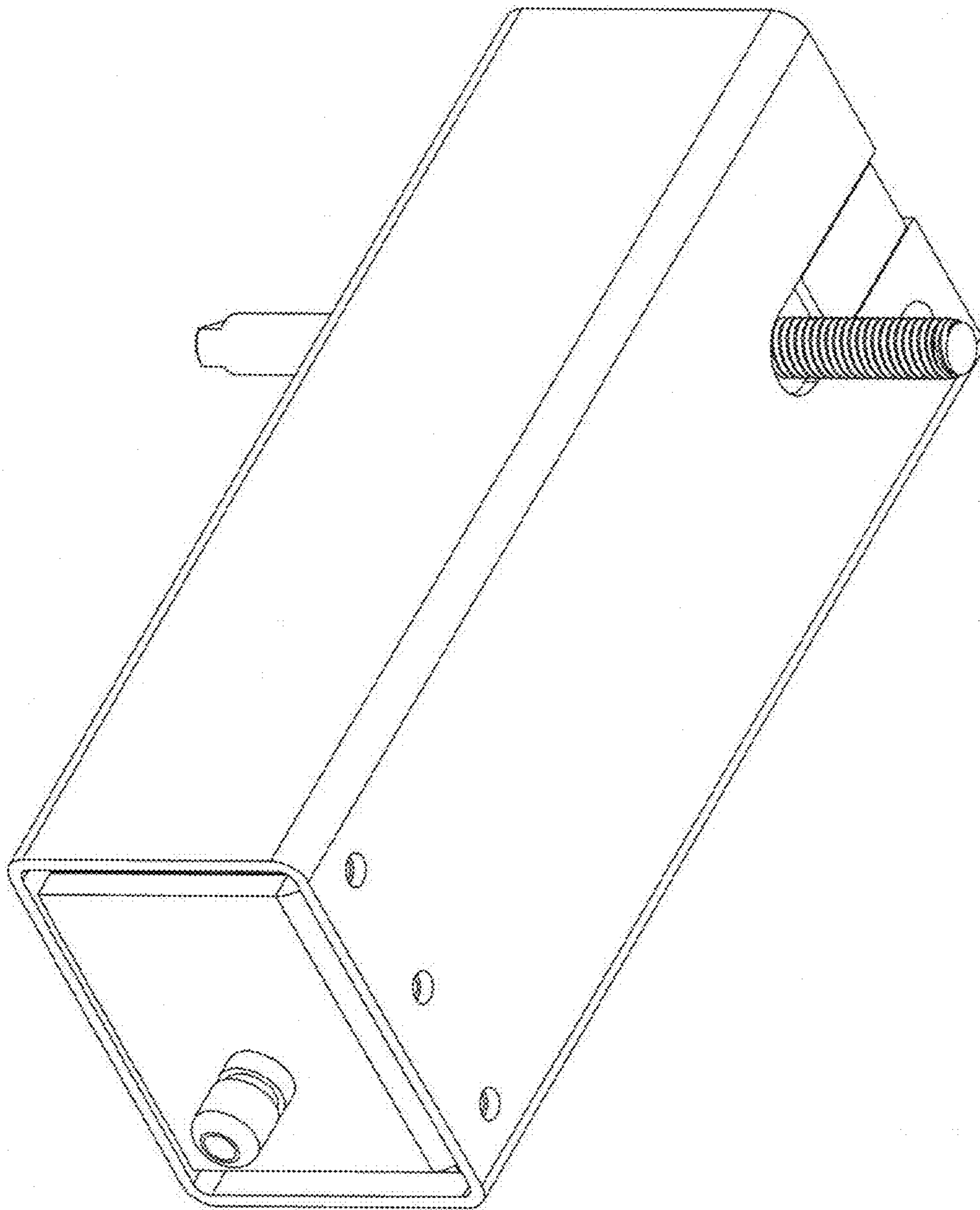


FIG. 2

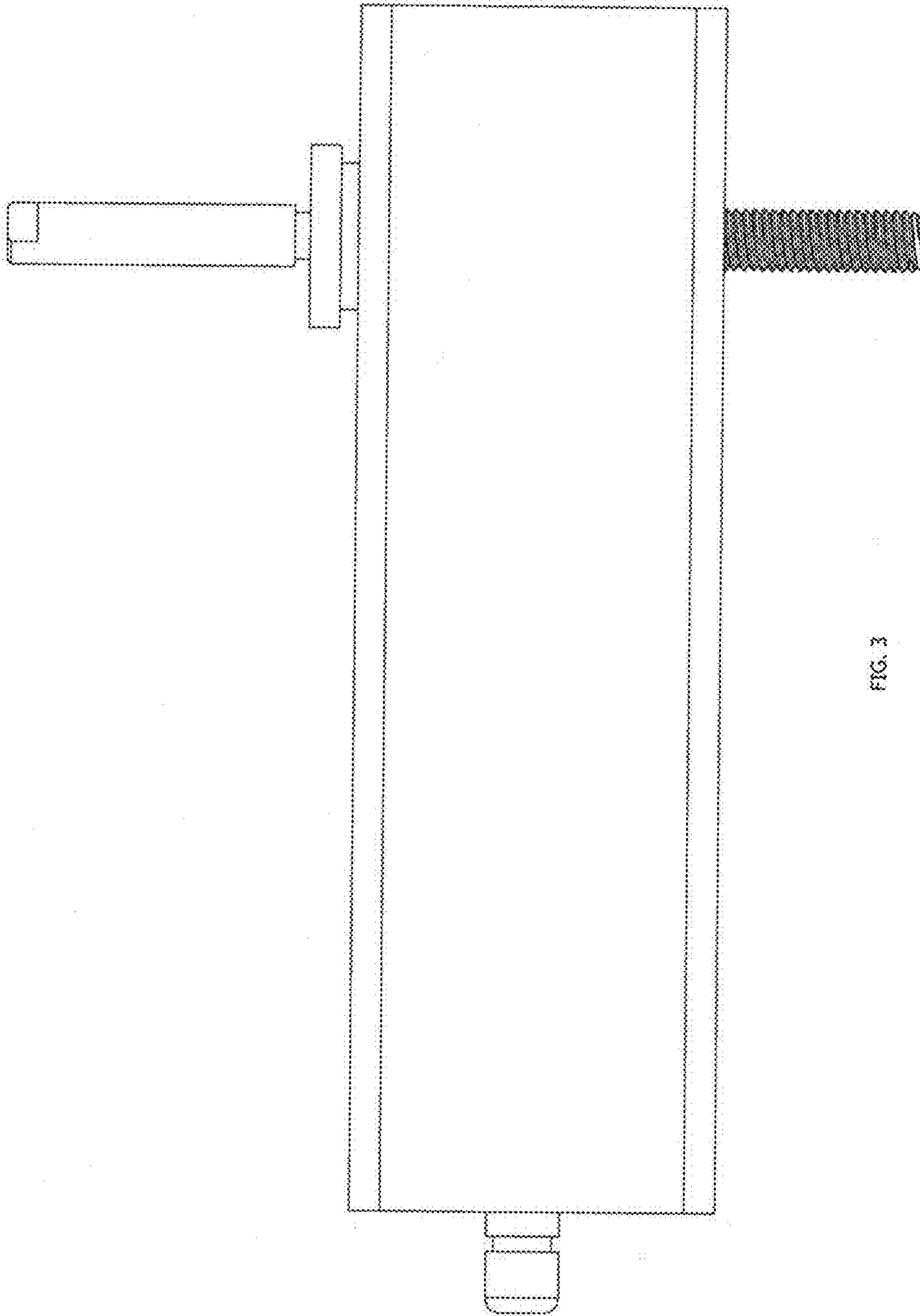


FIG. 3

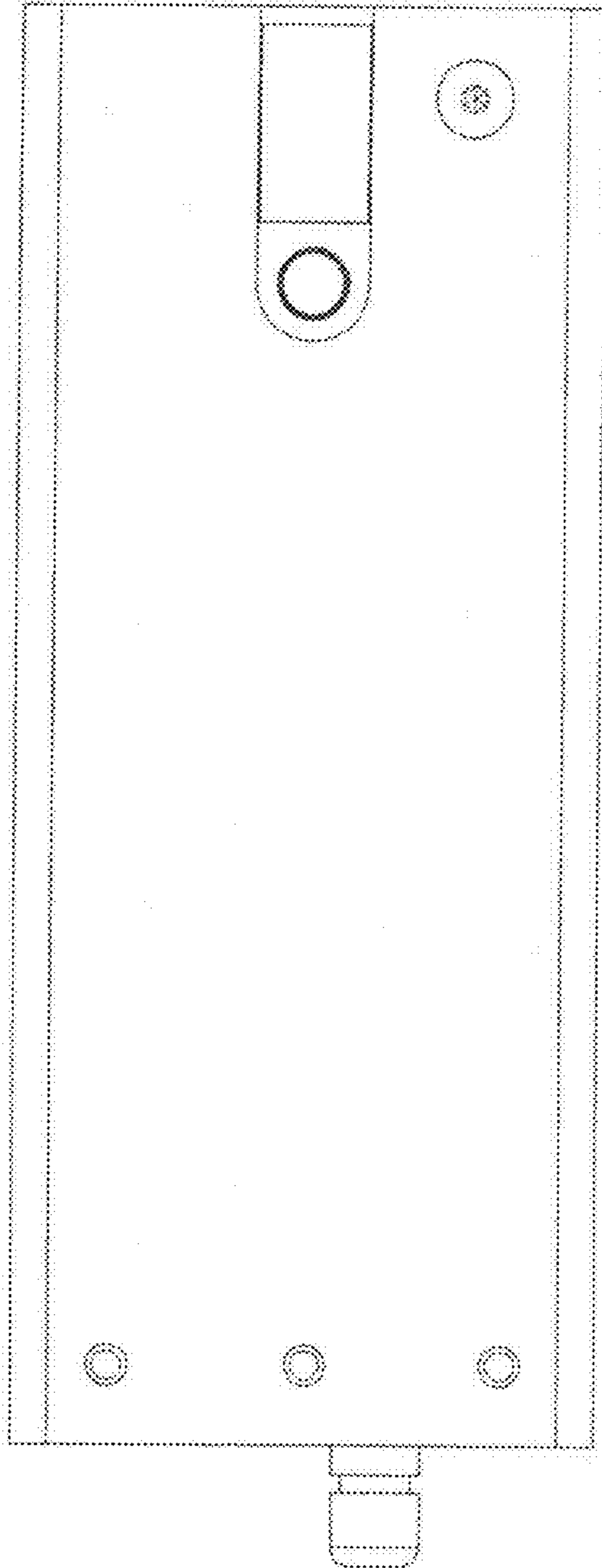


FIG. 4

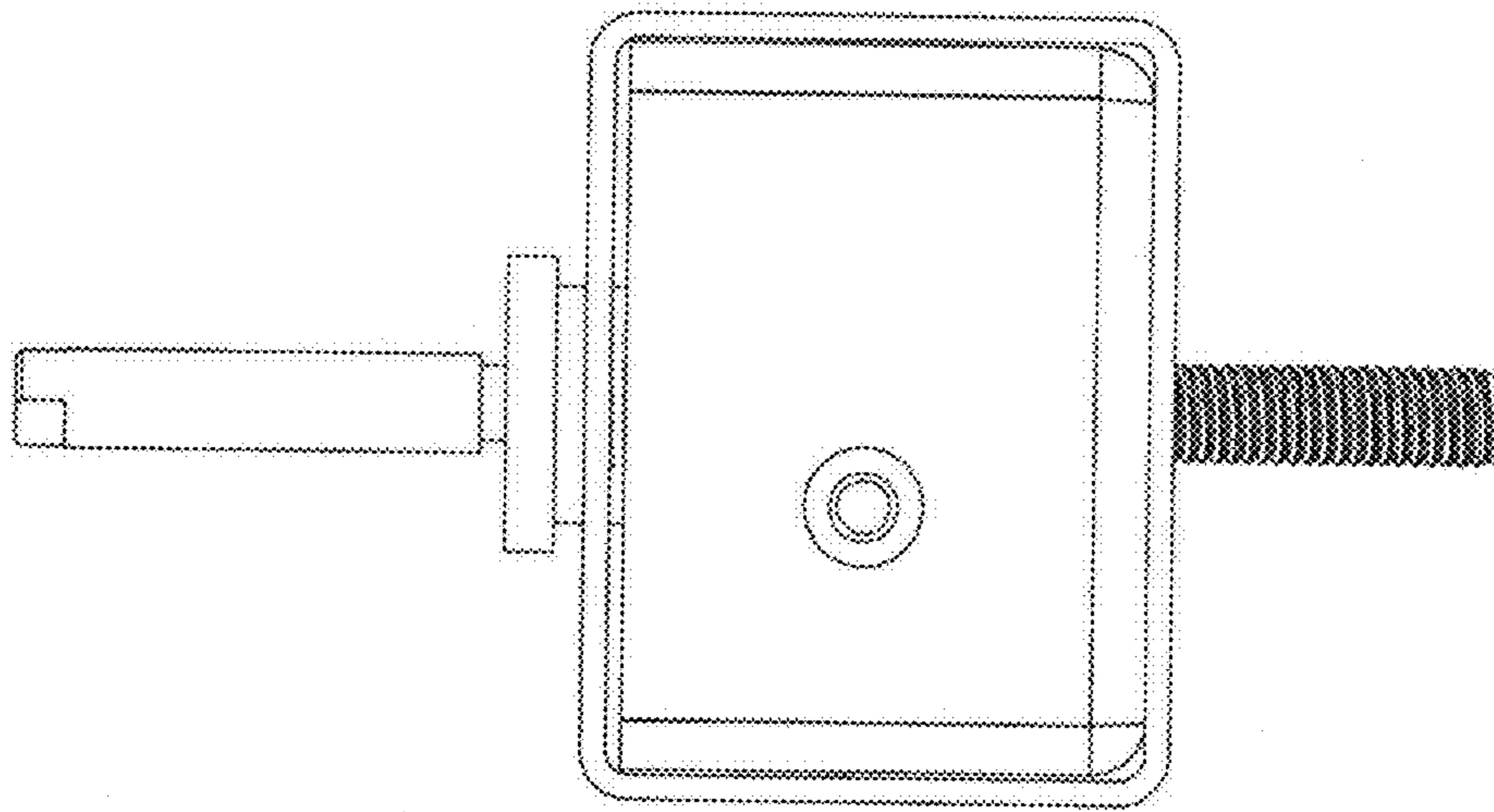


FIG. 5

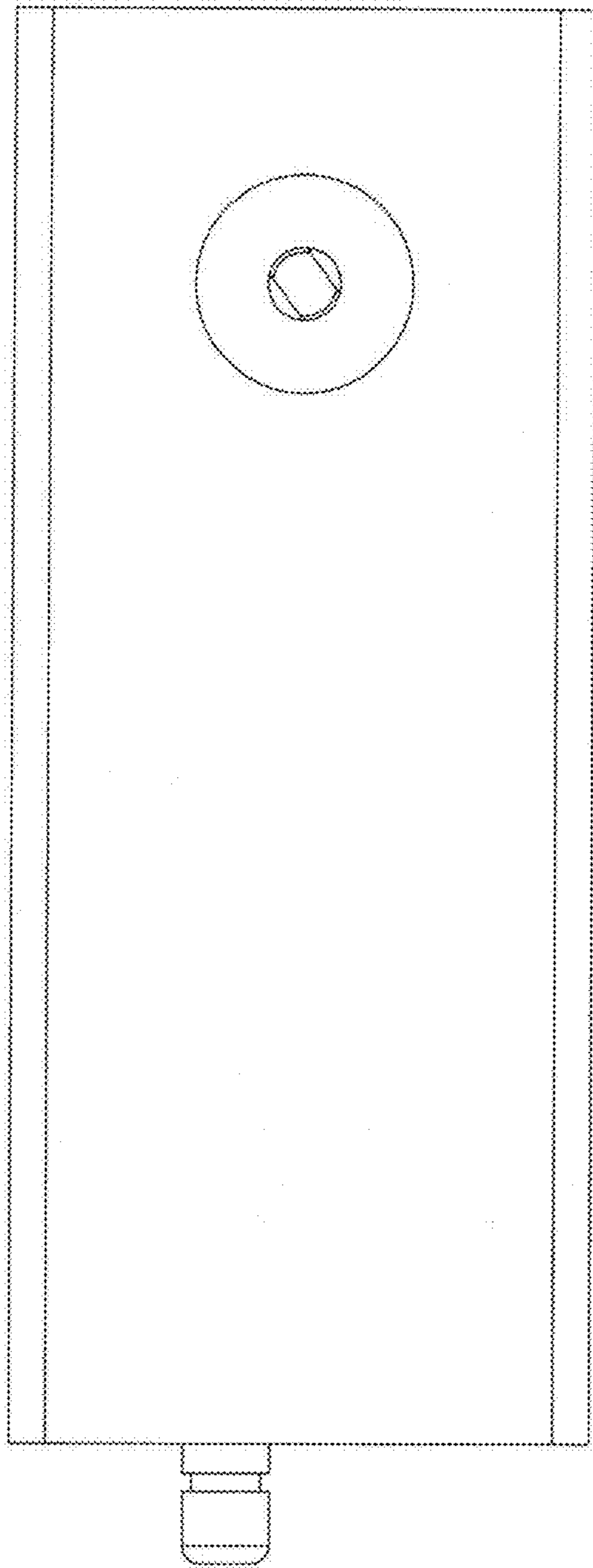


FIG. 6

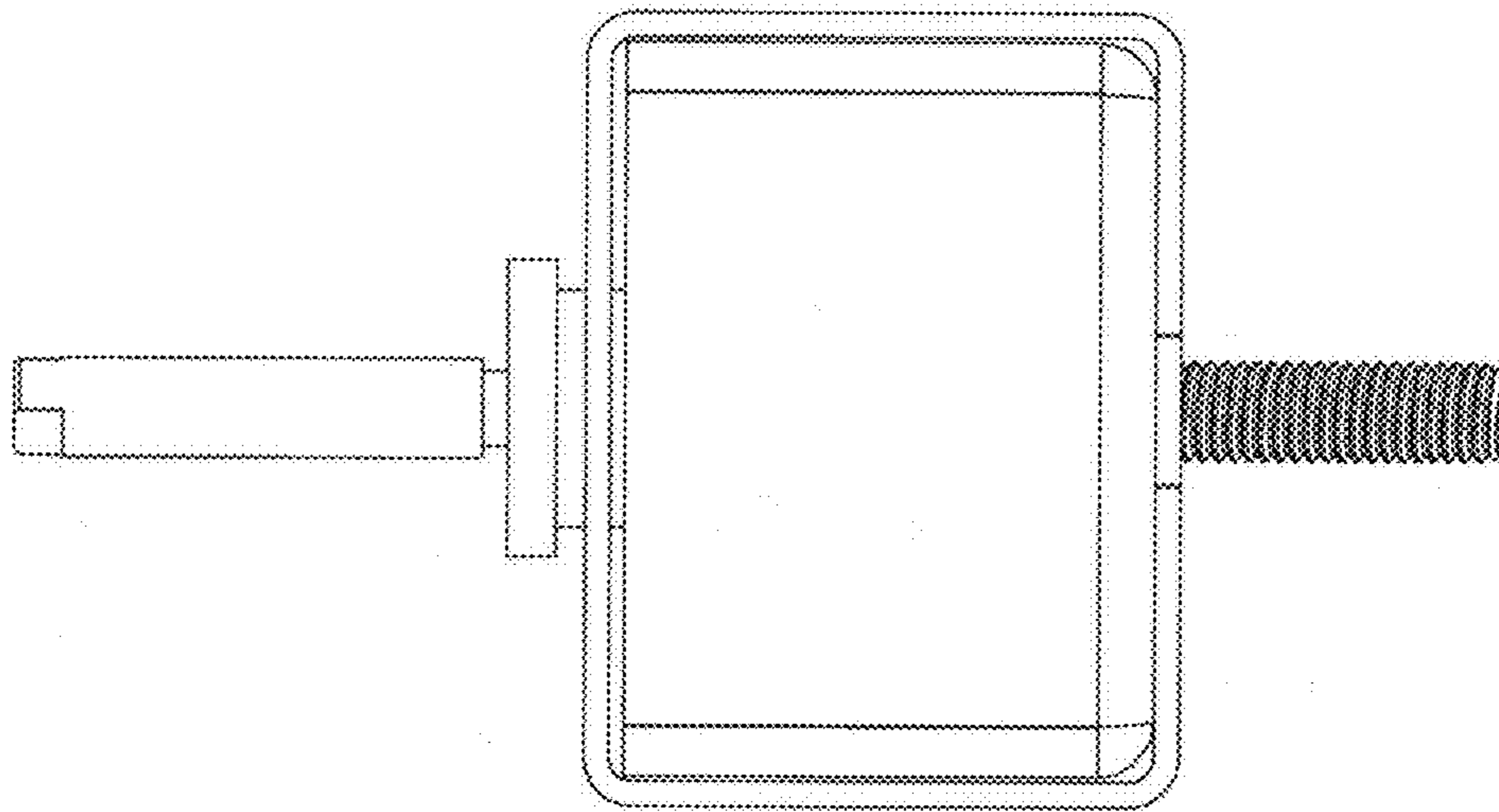


FIG. 7