



US00D851686S

(12) **United States Design Patent** (10) **Patent No.:** **US D851,686 S**  
**Klein** (45) **Date of Patent:** **\*\* Jun. 18, 2019**

(54) **FULLY ADJUSTABLE AIR DEFLECTOR SYSTEM FOR SNOW PLOW BLADE**

(71) Applicant: **David Earl Klein**, Lewellen, NE (US)

(72) Inventor: **David Earl Klein**, Lewellen, NE (US)

(\*\*) Term: **15 Years**

(21) Appl. No.: **29/557,550**

(22) Filed: **Mar. 9, 2016**

(51) **LOC (11) Cl.** ..... **15-03**

(52) **U.S. Cl.**  
USPC ..... **D15/11**

(58) **Field of Classification Search**  
USPC ..... D15/11, 17, 28; 37/266, 241; 296/180.1  
CPC ... E01H 5/066; E01H 5/04; E01H 5/06; Y10S  
37/903

See application file for complete search history.

(56) **References Cited**

**U.S. PATENT DOCUMENTS**

2,085,996	A *	7/1937	Phillips	.....	E01H 5/066 37/260
3,432,947	A *	3/1969	Peitl	.....	E01H 5/066 172/701.1
4,587,750	A	5/1986	Larson		
4,896,915	A	1/1990	Morandi et al.		
5,155,929	A *	10/1992	Vachon	.....	E01H 5/066 37/231
5,309,653	A	5/1994	Pease et al.		
5,544,434	A	8/1996	Calvachio, Jr.		
5,688,020	A *	11/1997	Burg	.....	B62D 33/0273 296/180.1
5,881,479	A	3/1999	Pavey		
5,966,845	A	10/1999	DiGiacomo		
6,035,560	A	3/2000	Pender		
D594,882	S *	6/2009	Schultz	.....	D15/11
9,267,305	B1 *	2/2016	Reynolds	.....	E04H 5/06
9,551,122	B1 *	1/2017	Klein	.....	E01H 5/066

(Continued)

*Primary Examiner* — Mark A Goodwin

(74) *Attorney, Agent, or Firm* — Shifrin Patent Law; Dan Shifrin

(57) **CLAIM**

The ornamental design for a fully adjustable air deflector system for snow plow blade, as shown and described.

**DESCRIPTION**

The present application is related to commonly-owned U.S. Pat. No. 9,551,122, entitled Fully Adjustable Air Deflector System for Snow Plow Blades, issued on Jan. 24, 2017, to commonly-owned U.S. Pat. No. D781,347, entitled Fully Adjustable Air Deflector System for Snow Plow Blades, issued on Mar. 14, 2017, and to commonly-owned U.S. application Ser. No. 12/288,973, now abandoned, entitled Air Deflector for V-Blade Snow Plow, filed on Oct. 24, 2008, which patents and application are incorporated herein by reference in their entireties.

FIG. 1 is a top rear perspective view of the air deflector system of the present invention;

FIG. 2 is a bottom front perspective view thereof;

FIG. 3 is a rear elevation view thereof;

FIG. 4 is a front elevation view thereof;

FIG. 5 is a top view of the air deflector system thereof;

FIG. 6 is a bottom view thereof;

FIG. 7 is a left side view thereof, the right side view being a mirror image thereof;

FIG. 8 is an exploded bottom rear view thereof;

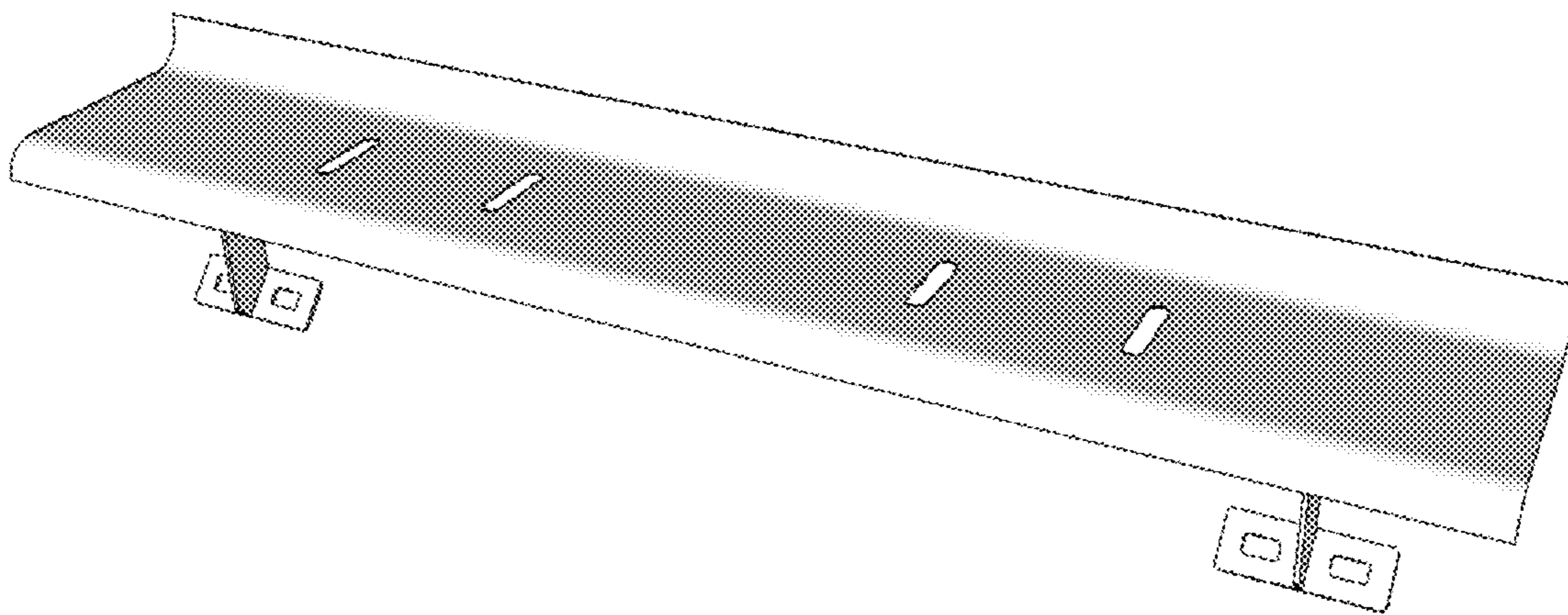
FIG. 9 is an exploded top view thereof;

FIG. 10 is a side view thereof in a first mounting configuration on a plow blade; and,

FIG. 11 is a side view thereof in a second mounting configuration on a plow blade.

The broken lines shown represent environmental subject matter and form no part of the claimed design.

**1 Claim, 5 Drawing Sheets**



(56)

**References Cited**

U.S. PATENT DOCUMENTS

D781,347 S \* 3/2017 Klein ..... D15/11  
2006/0185199 A1 \* 8/2006 Watros ..... E01H 5/066  
37/231

\* cited by examiner

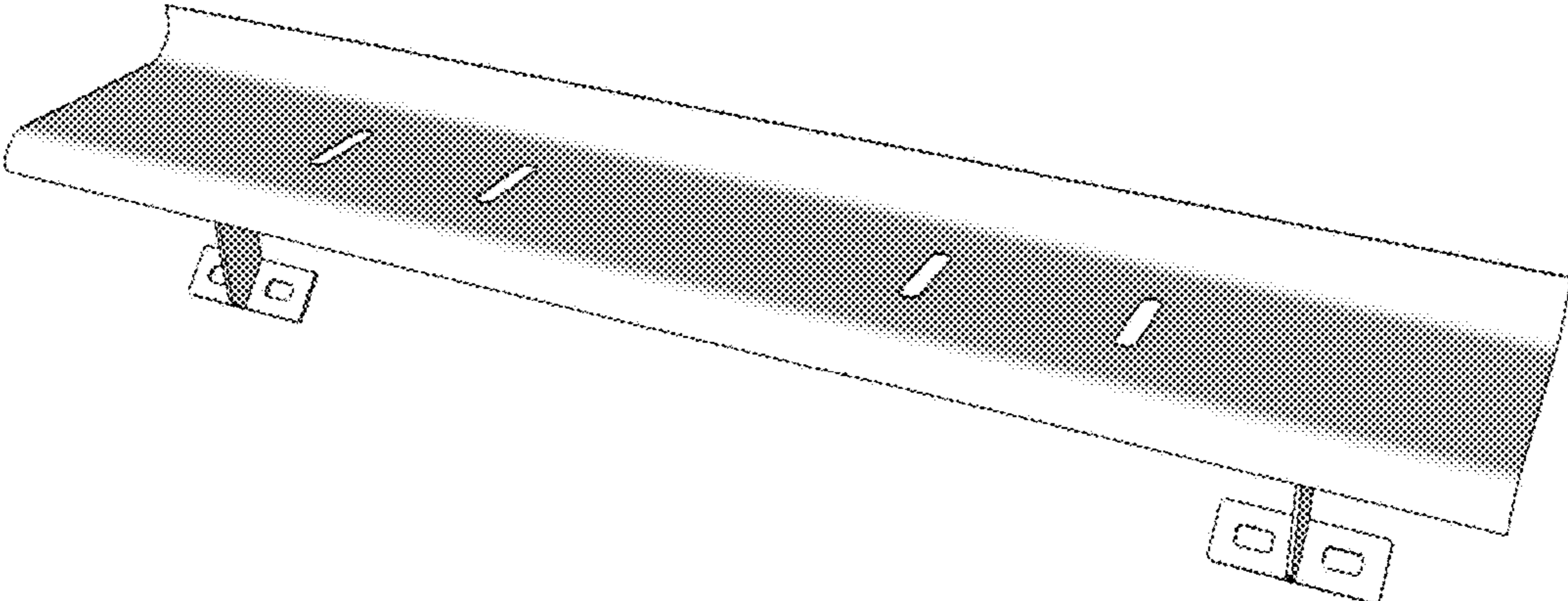


FIG. 1

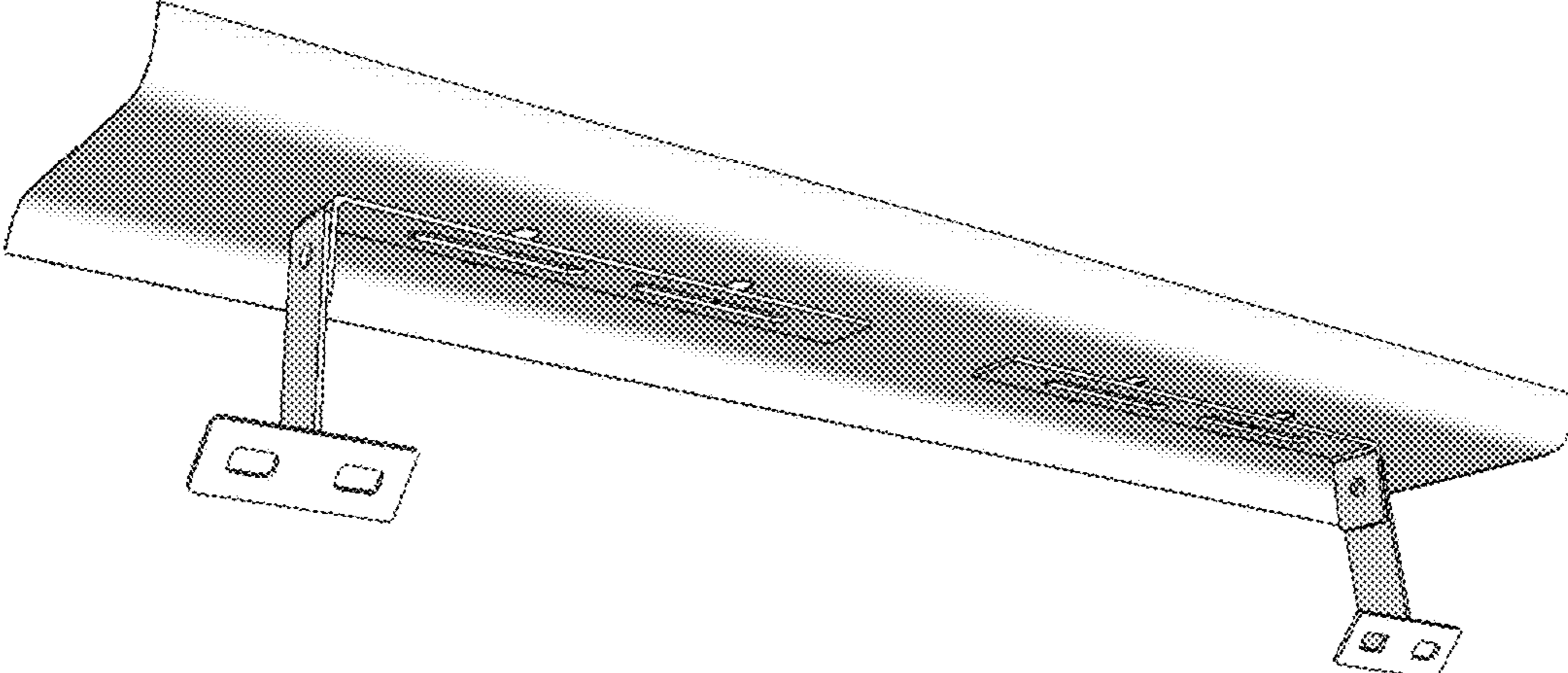


FIG. 2

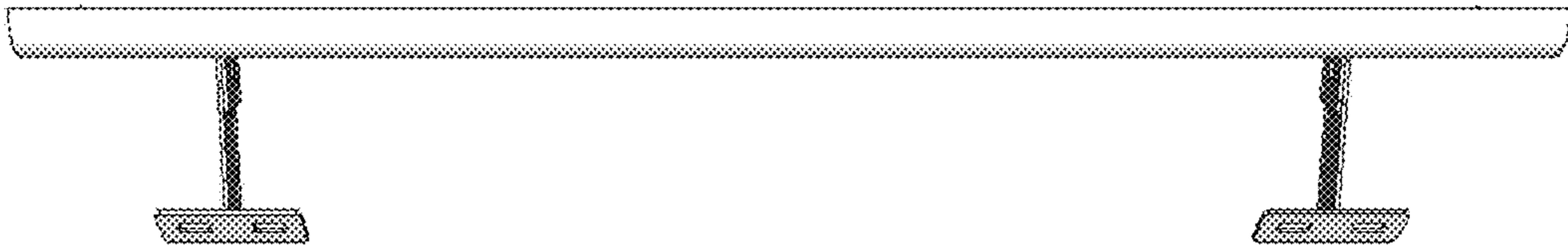


FIG. 3

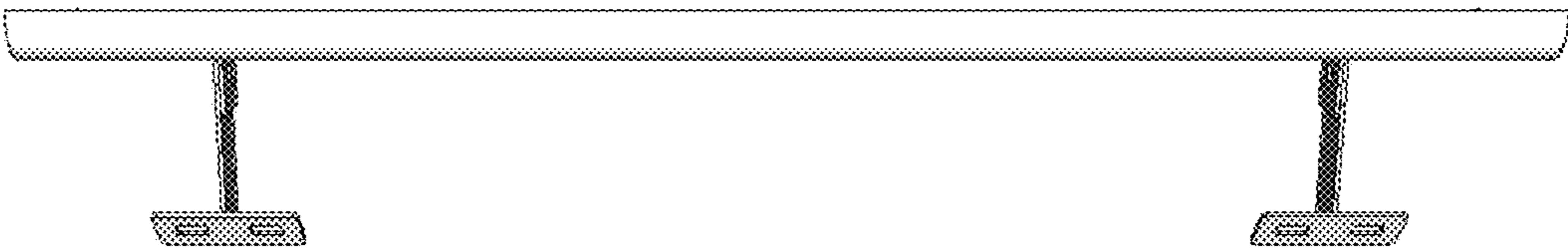


FIG. 4



FIG. 5



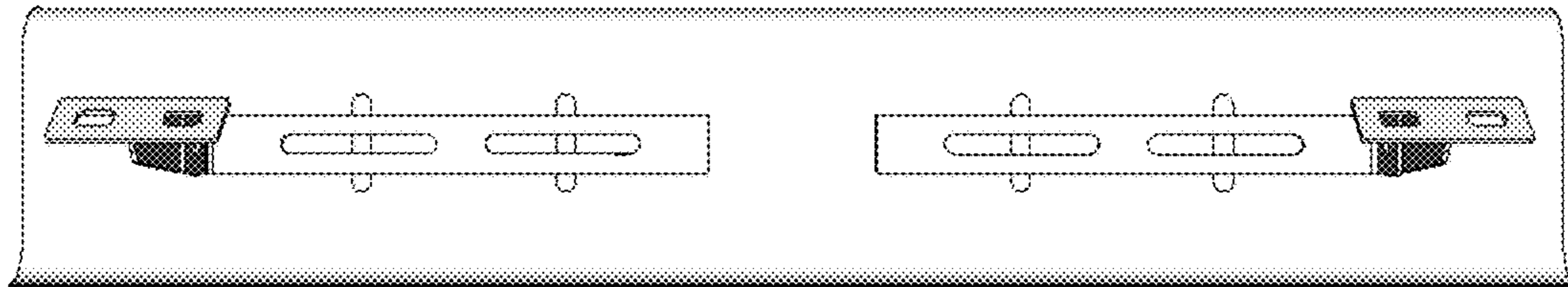


FIG. 6

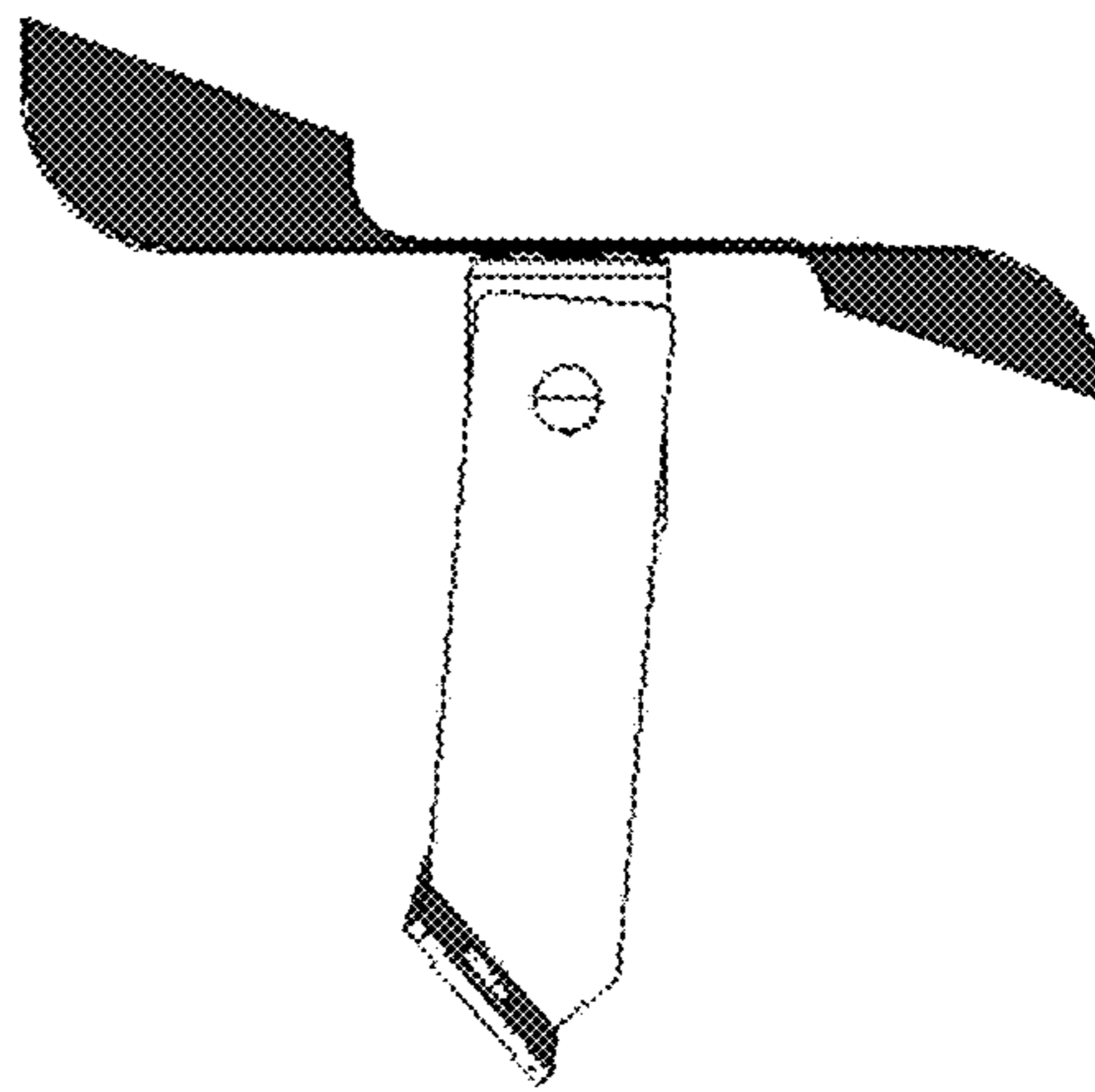


FIG. 7

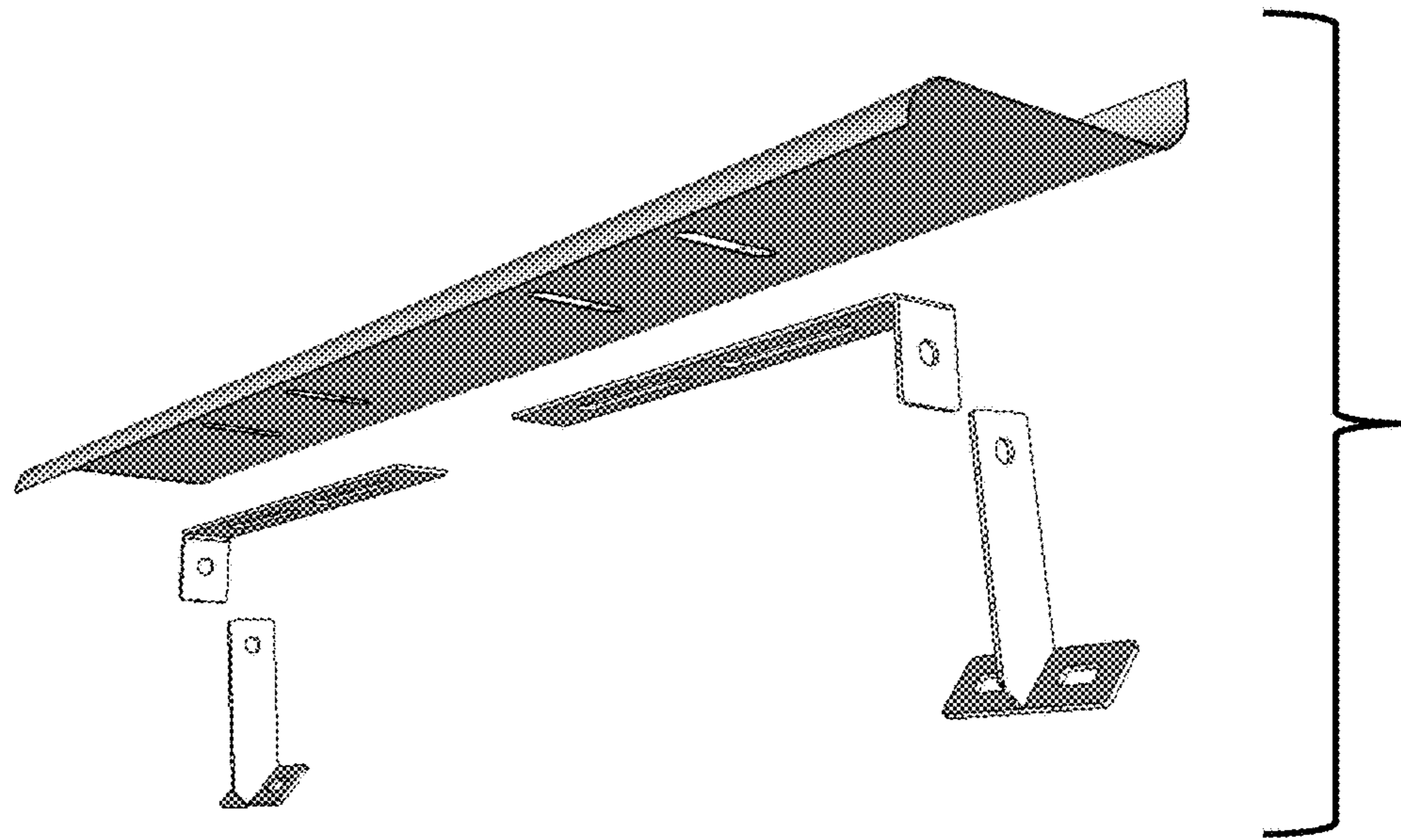


FIG. 8

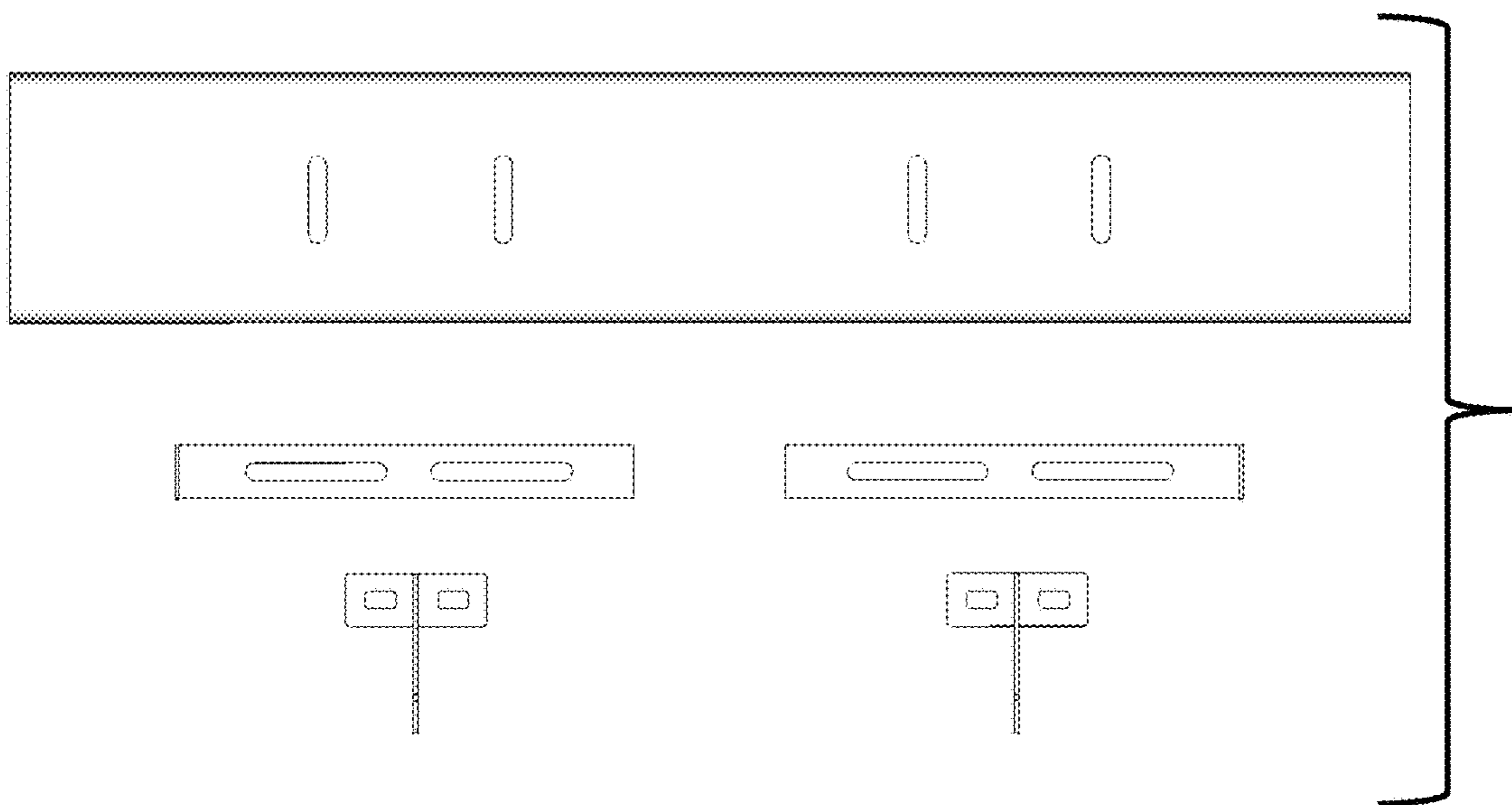


FIG. 9

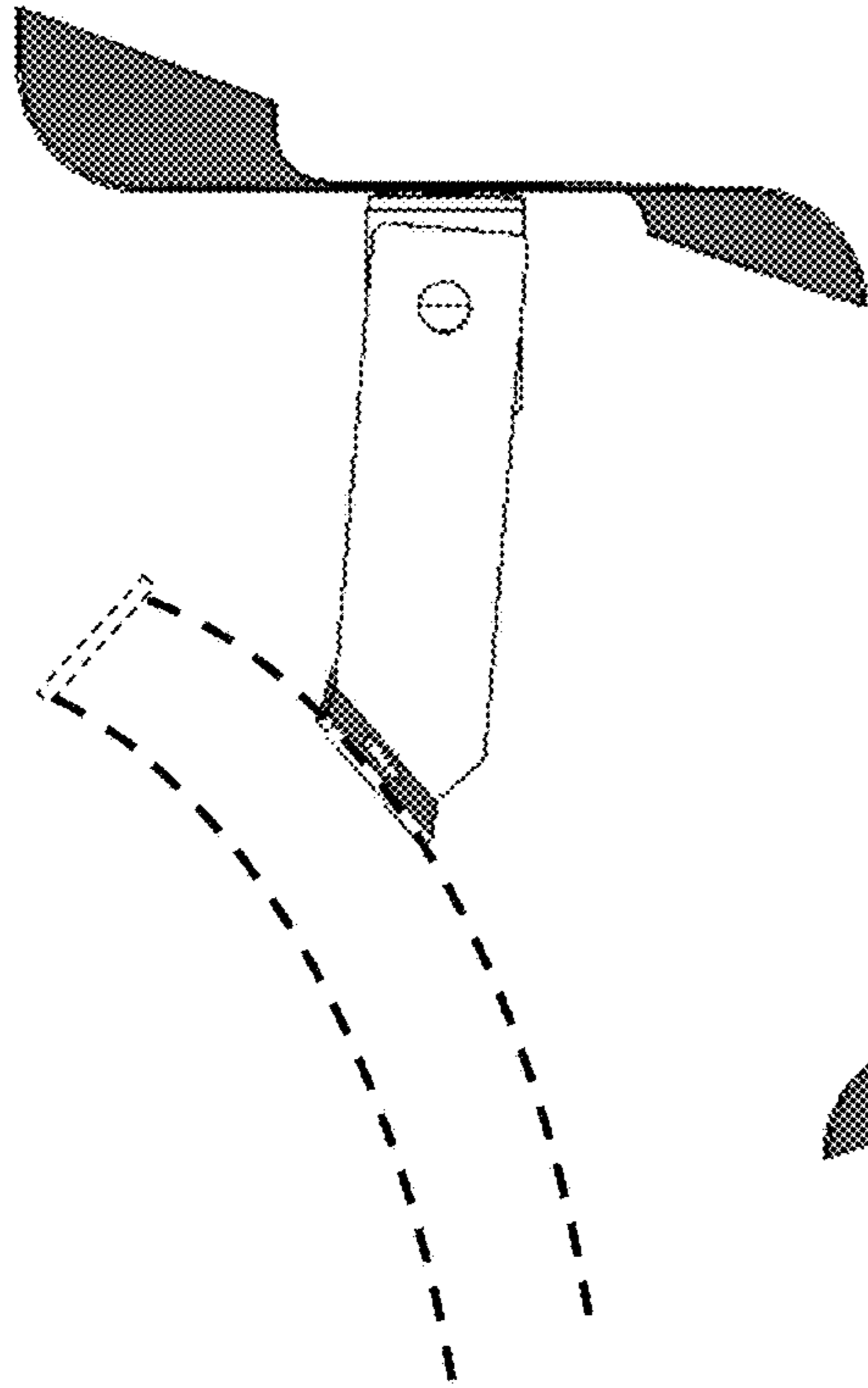


FIG. 10

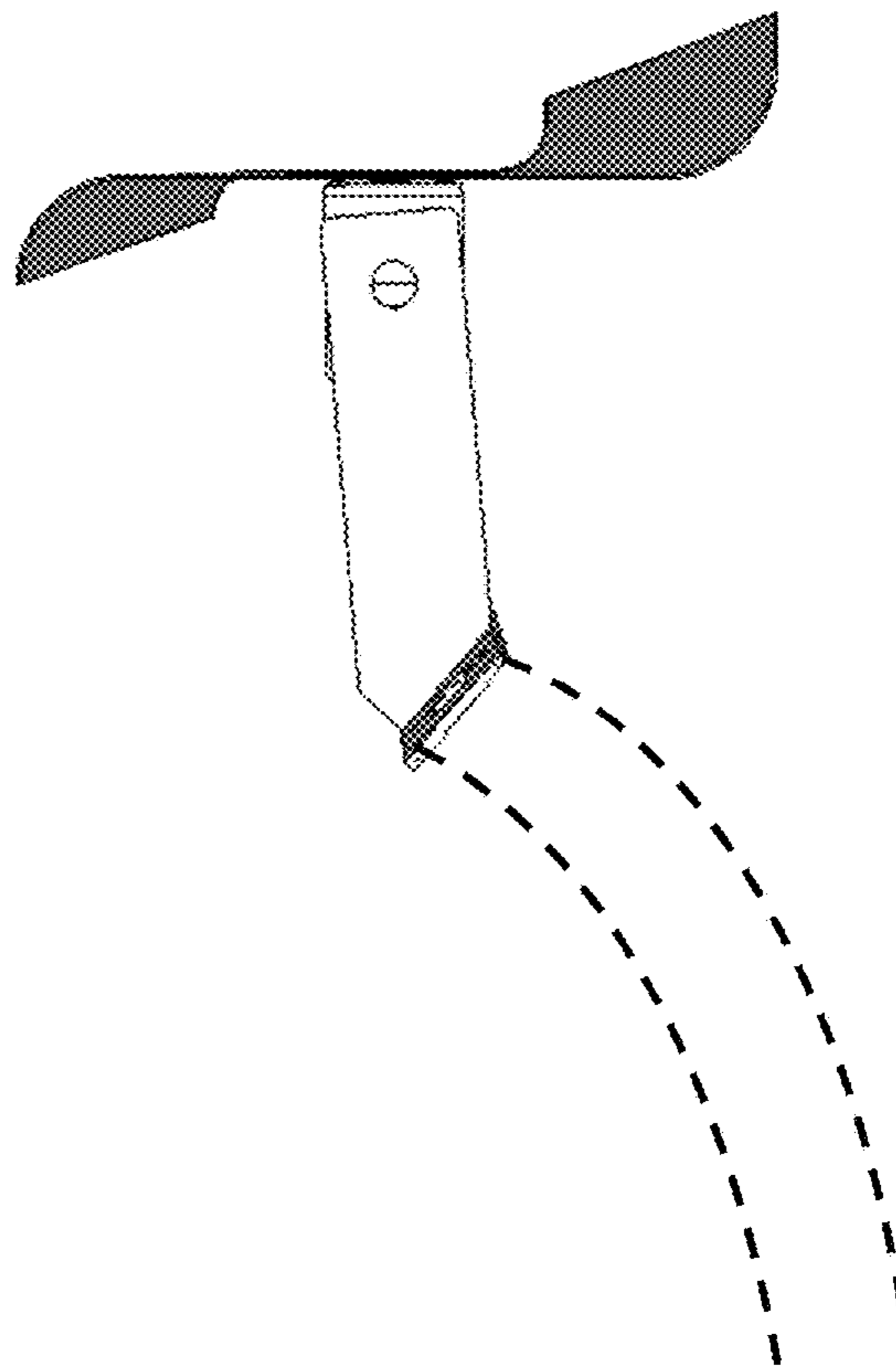


FIG. 11