



US00D851685S

(12) **United States Design Patent** (10) **Patent No.:** **US D851,685 S**
Gan (45) **Date of Patent:** **** Jun. 18, 2019**

(54) **INFLATOR**

(56) **References Cited**

(71) Applicant: **SHENZHEN VALUELINK
E-COMMERCE CO., LTD.**, Shenzhen
(CN)

U.S. PATENT DOCUMENTS

D635,587	S	*	4/2011	Schleef	D15/7
D648,353	S	*	11/2011	Mattson	D15/7
D654,095	S	*	2/2012	Mattson	D15/7
D679,291	S	*	4/2013	Ohm	D15/7
D684,997	S	*	6/2013	Tatic	D15/7

(72) Inventor: **Qingcao Gan**, Shenzhen (CN)

* cited by examiner

(73) Assignee: **SHENZHEN VALUELINK
E-COMMERCE CO., LTD.**, Shenzhen
(CN)

Primary Examiner — Antoine Duval Davis

(**) Term: **15 Years**

(74) *Attorney, Agent, or Firm* — Wayne & Ken, LLC;
Tony Hom

(21) Appl. No.: **29/618,043**

(57) **CLAIM**

(22) Filed: **Sep. 18, 2017**

A new, original, ornamental design for an inflator, as shown and described.

(51) **LOC (11) Cl.** **15-02**

(52) **U.S. Cl.**
USPC **D15/7**

DESCRIPTION

(58) **Field of Classification Search**

USPC D15/7, 9
CPC F04B 35/00; F04B 35/002; F04B 35/004;
F04B 35/006; F04B 35/008; F04B 35/01;
F04B 35/04; F04B 35/045; F04B 35/06;
F04B 39/12; F04B 39/121; F04B 39/122;
F04B 39/123; F04B 39/125; F04B
39/126; F04B 39/127; F04B 39/128;
F04B 39/14; F04B 39/16; F04B 53/16;
F04B 53/162; F04B 53/164; F04B
53/166; B60S 5/046

FIG. 1 is a perspective view of an inflator, showing my new design;

FIG. 2 is a front view thereof;

FIG. 3 is a back view thereof;

FIG. 4 is a left view thereof;

FIG. 5 is a right view thereof;

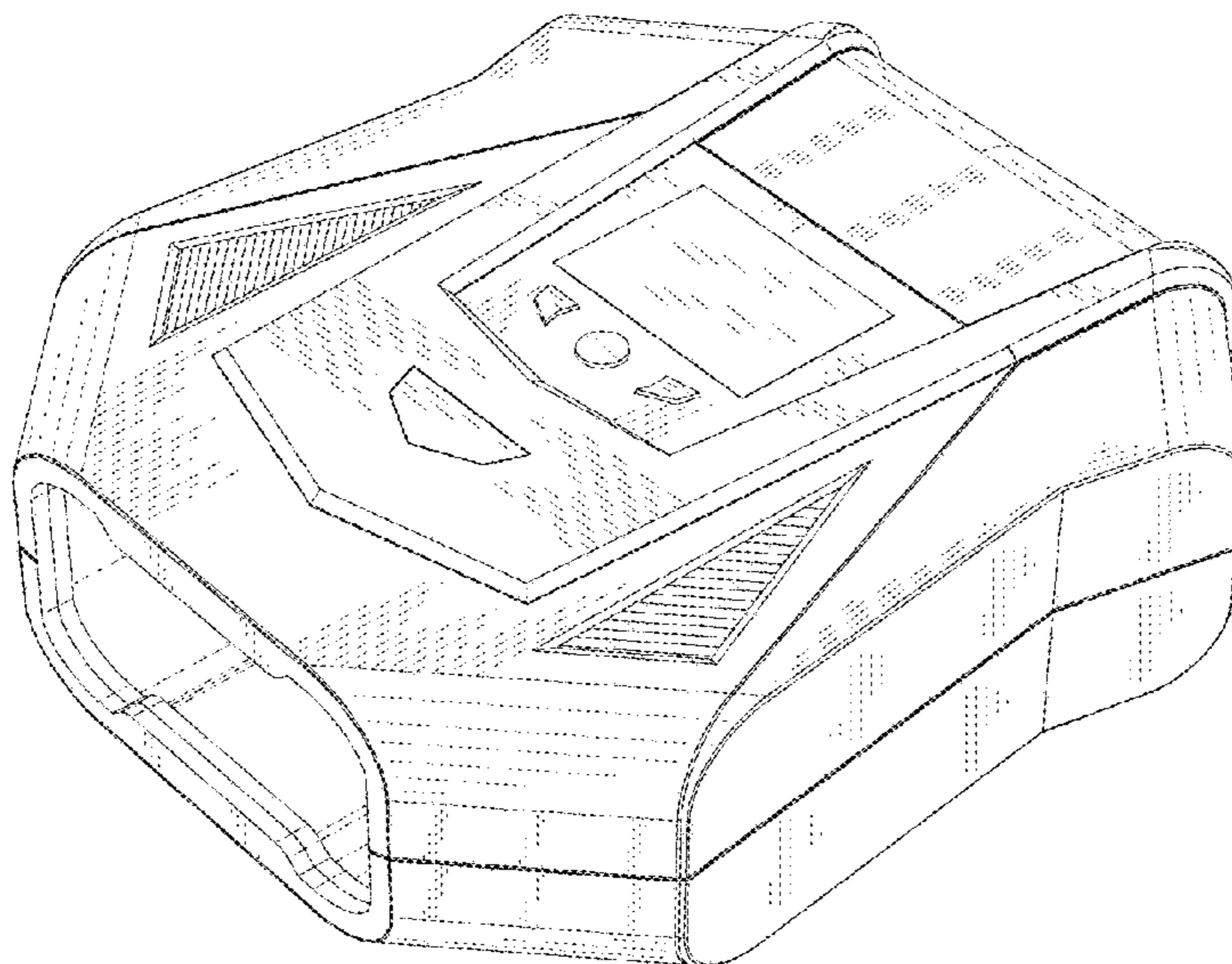
FIG. 6 is a top view thereof; and,

FIG. 7 is a bottom view thereof.

The broken line showing of structural features is included for the purpose of illustrating non-claimed subject matter and forms no part of the claimed design.

See application file for complete search history.

1 Claim, 7 Drawing Sheets



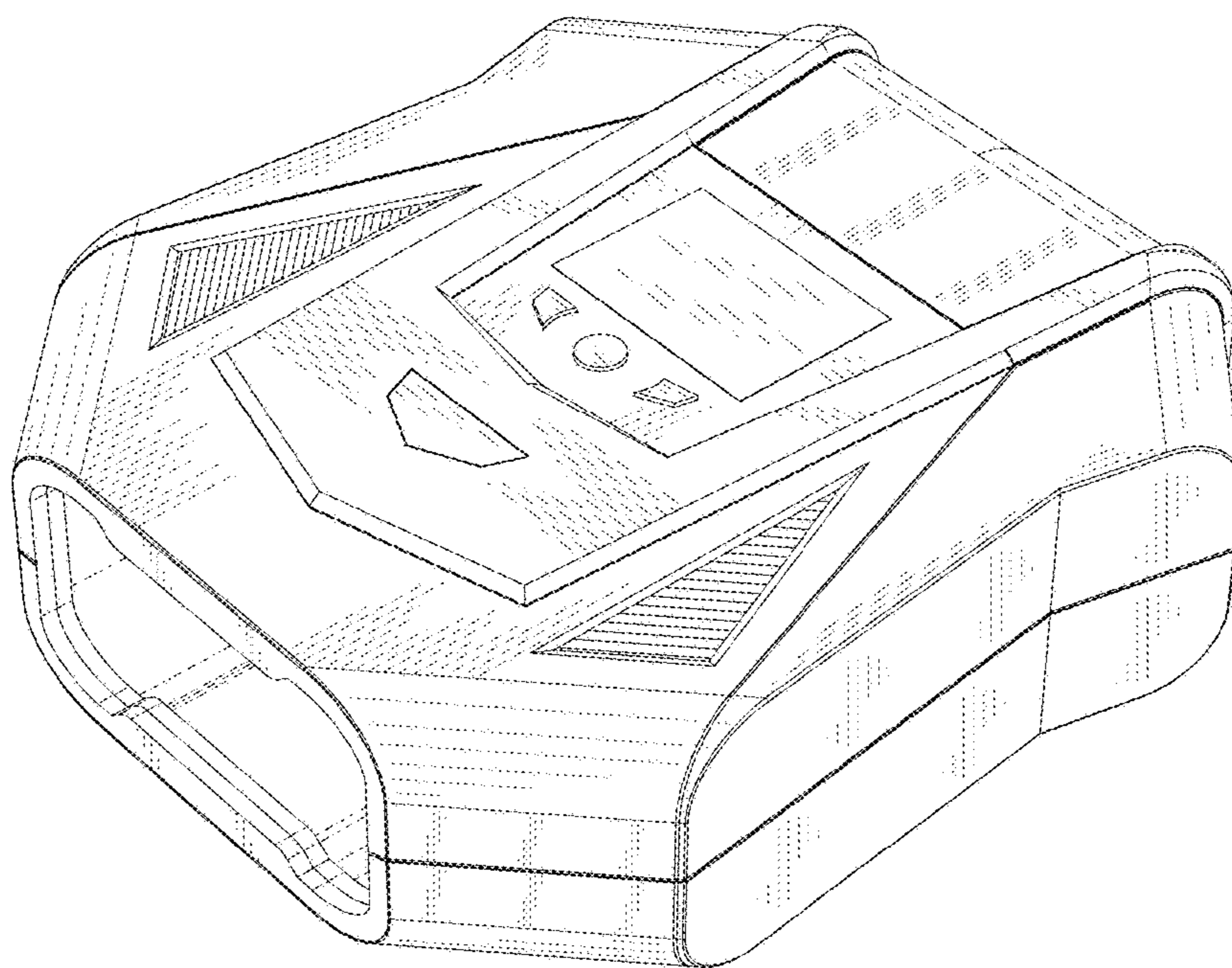


FIG. 1

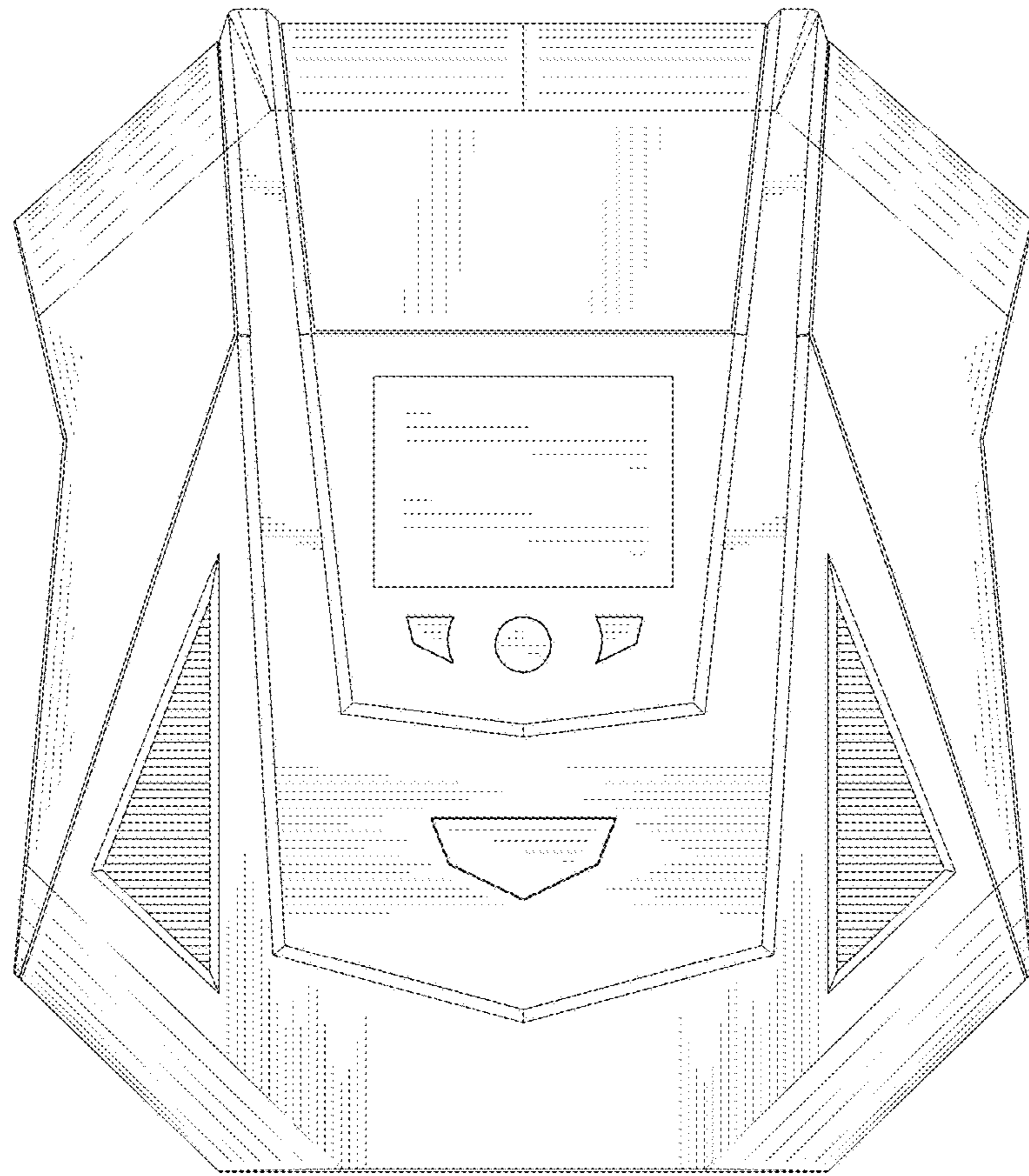


FIG. 2

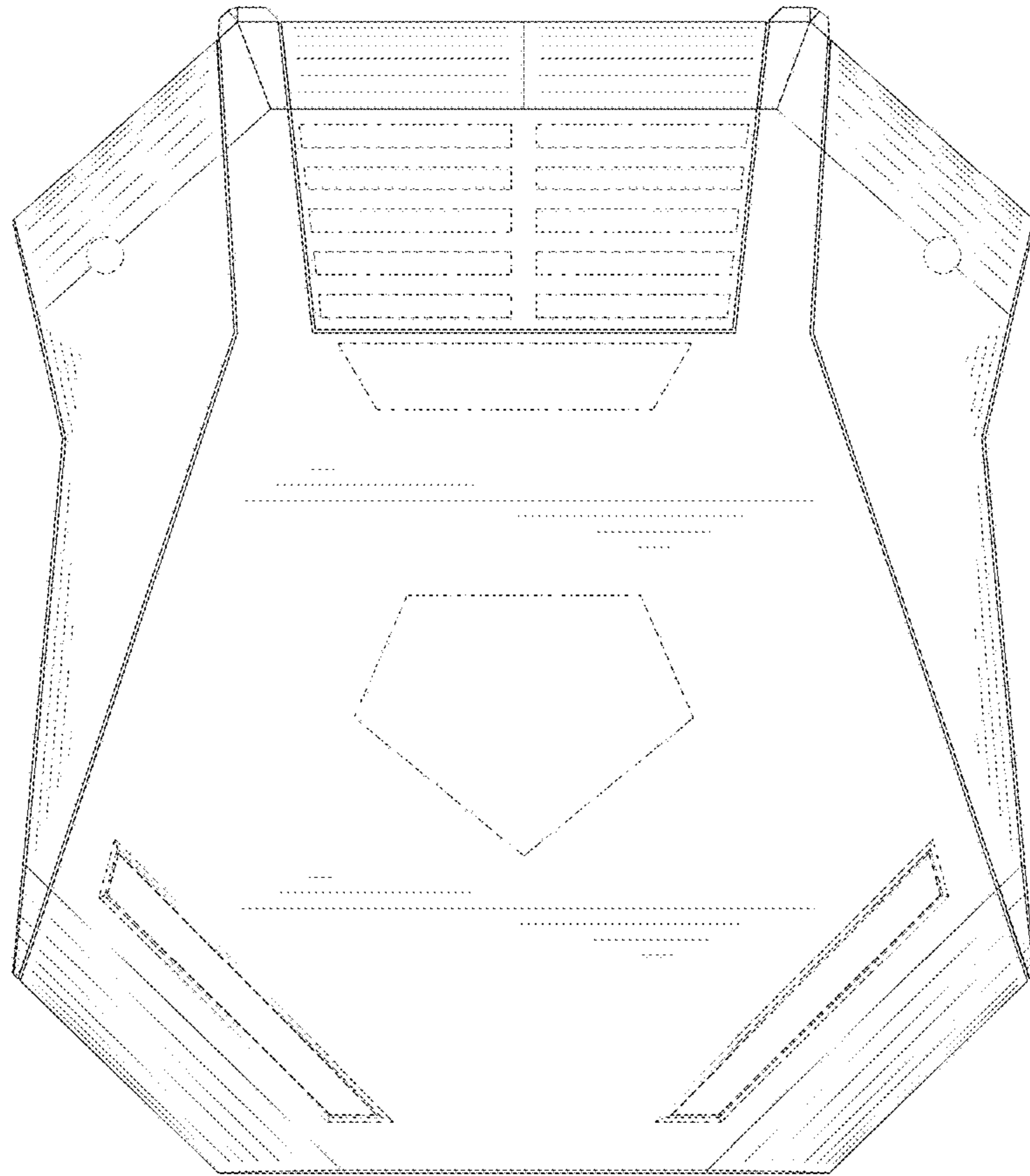


FIG. 3

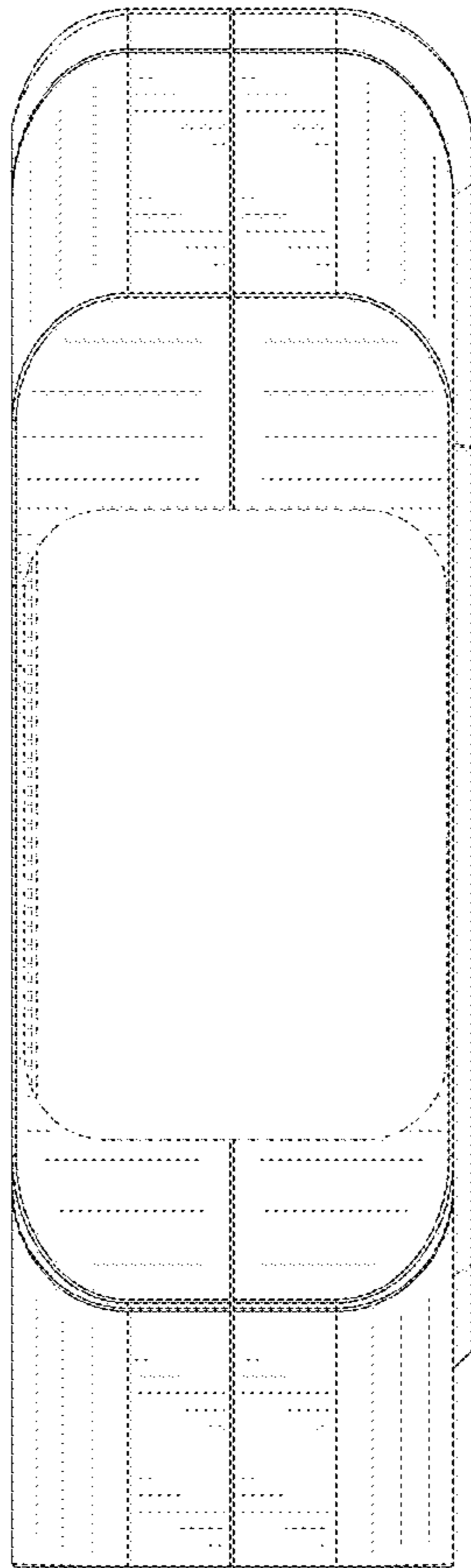


FIG. 4

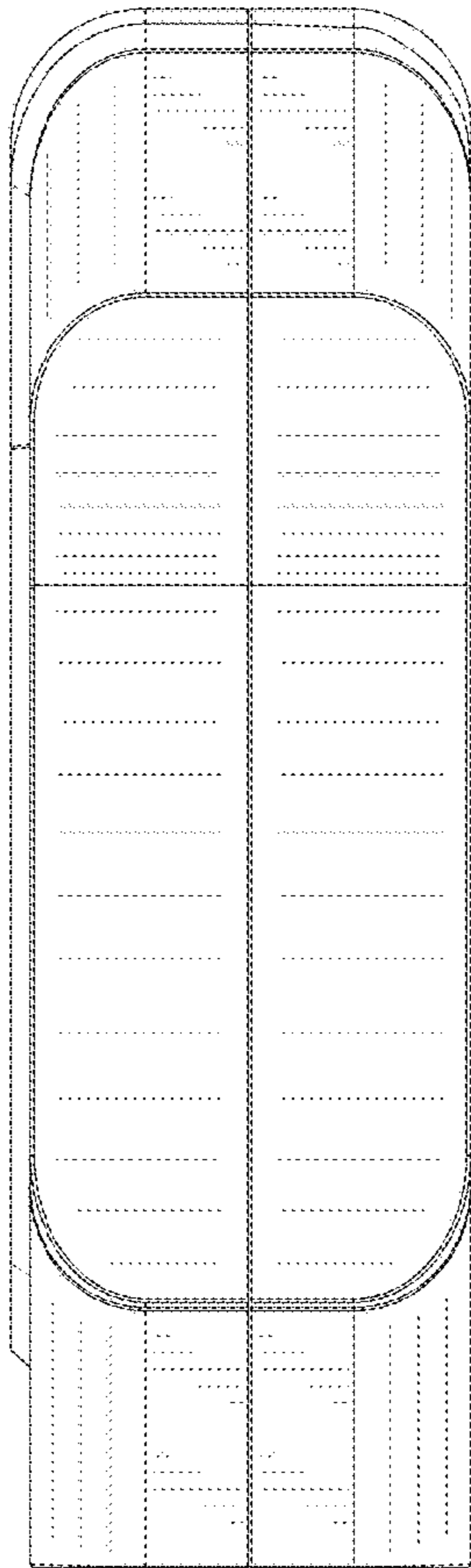


FIG. 5

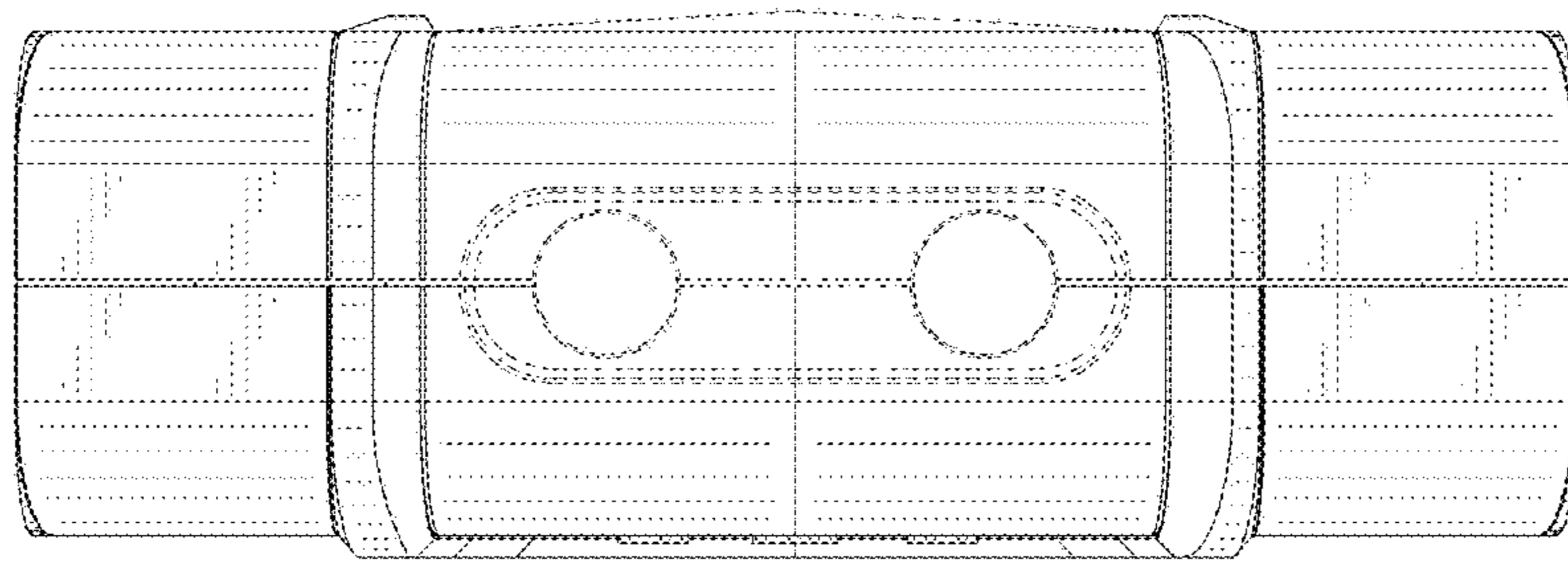


FIG. 6

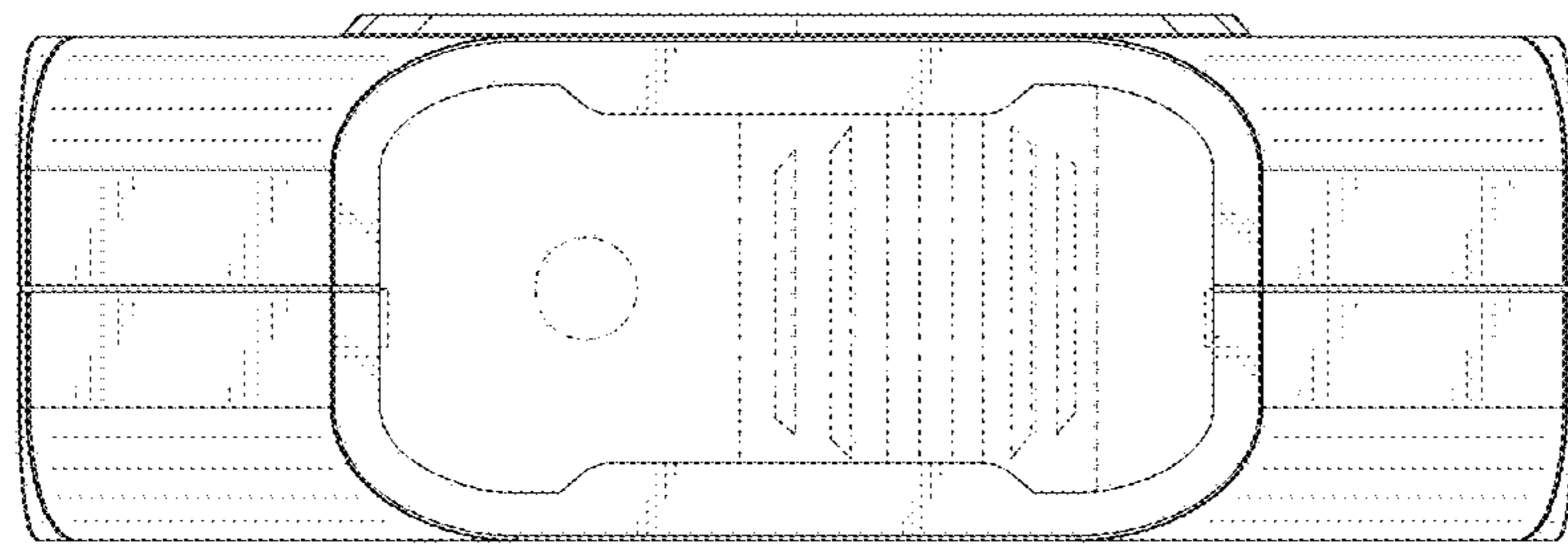


FIG. 7