



US00D851682S

(12) **United States Design Patent** (10) **Patent No.:** **US D851,682 S**
Niven et al. (45) **Date of Patent:** **** Jun. 18, 2019**

(54) **DISPLAY SCREEN OR PORTION THEREOF WITH ICON**

(71) Applicant: **Dyson Technology Limited**, Wiltshire (GB)

(72) Inventors: **Ruth Niven**, Bristol (GB); **Leanne Joyce Garner**, Bristol (GB); **Andrew James Holden**, Cheltenham (GB); **Adam James Bates**, Oxford (GB)

(73) Assignee: **Dyson Technology Limited**, Malmesbury, Wiltshire (GB)

(**) Term: **15 Years**

(21) Appl. No.: **29/648,580**

(22) Filed: **May 22, 2018**

(30) **Foreign Application Priority Data**

Nov. 24, 2017 (EM) 004521524-0015

(51) **LOC (11) Cl.** **14-04**

(52) **U.S. Cl.**
USPC **D14/492**

(58) **Field of Classification Search**
USPC D14/489-495; D20/10, 11, 22-33, 39, D20/40; D5/20, 26, 30, 40, 63-65
CPC G06F 3/048-04897; F24F 11/001; F24F 11/008; G05B 15/02; G05D 23/19; H04L 2012/285; H04L 41/22; H04L 12/282; B60H 1/00; A47L 2201/00; F04D 25/00
See application file for complete search history.

(56) **References Cited**

U.S. PATENT DOCUMENTS

D650,800 S * 12/2011 Impas D14/493
D650,803 S * 12/2011 Impas D14/495

D650,806 S * 12/2011 Impas D14/495
D657,380 S * 4/2012 Impas D14/495
D682,880 S * 5/2013 Koehn D14/491
D725,673 S * 3/2015 Nagaoka D14/489
D762,225 S * 7/2016 Cao D14/485
D772,931 S * 11/2016 Vulk D14/489
D783,141 S * 4/2017 Poulton et al.
D786,926 S * 5/2017 Jang D14/492
D788,170 S * 5/2017 Wessel D14/495
D797,788 S * 9/2017 Havranek, Jr. D14/488
D819,048 S * 5/2018 Bates D14/485
D834,093 S * 11/2018 Fahsbender D20/27
2016/0098167 A1* 4/2016 Shah G06F 3/0488 345/173
2017/0185278 A1* 6/2017 Sundermeyer G06F 3/04847

OTHER PUBLICATIONS

Dyson Link App Demo Film, by DS DS, YouTube [online], published on Apr. 10, 2016, [retrieved on Jan. 14, 2019], retrieved from the Internet <URL: https://www.youtube.com/watch?v=_tCA0ttz_IQ> (Year: 2016).*

(Continued)

Primary Examiner — Cathron C Brooks
Assistant Examiner — Ian F Whitmore
(74) *Attorney, Agent, or Firm* — Morrison & Foerster LLP

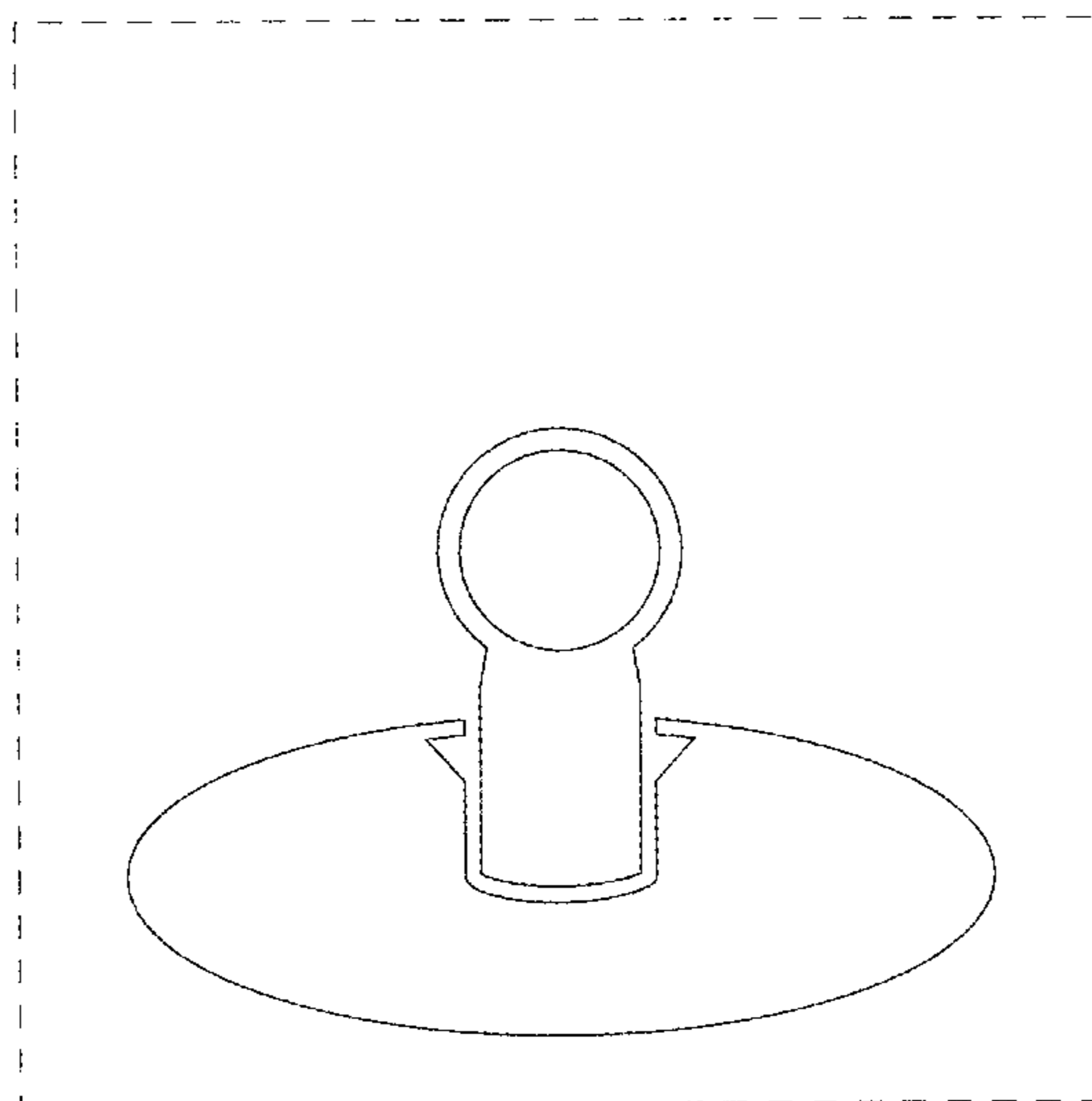
(57) **CLAIM**

We claim the ornamental design for a display screen or portion thereof with icon, as shown and described.

DESCRIPTION

The single FIGURE is a front view of a display screen or portion thereof with icon showing our new design. The broken-line perimeter illustrates a display screen or portion thereof and forms no part of the claimed design.

1 Claim, 1 Drawing Sheet



(56)

References Cited

OTHER PUBLICATIONS

Geofencing 2, by Rude, dribbble.com [online], published on May 3, 2010, [retrieved on Jan. 17, 2019], retrieved from the Internet <URL: <https://dribbble.com/shots/18845-Geofencing-2>> (Year: 2010).*

Controller, Game, Gamestick, Gaming, Joystick Icon, by Creative Stall, iconfinder.com [online], published on Jan. 18, 2016, [retrieved on Jan. 17, 2019], retrieved from the Internet <URL: https://www.iconfinder.com/icons/913651/controller_game_gamestick_gaming_joystick_icon> (Year: 2016).*

Trademark Registration Serial No. 78610397, Apr. 16, 2005 (first use date), (Registrant) Odyssey One Source, Inc. Corporation, Texas, (Year: 2005).*

Notice of Allowance dated Jan. 11, 2019, directed to TW Application No. 107302861; 6 pages.

* cited by examiner

