



US00D851661S

(12) **United States Design Patent** (10) **Patent No.:** **US D851,661 S**
Tauziet et al. (45) **Date of Patent:** **** Jun. 18, 2019**

(54) **DISPLAY SCREEN WITH TRANSITIONAL GRAPHICAL USER INTERFACE**
(71) Applicant: **Facebook, Inc.**, Menlo Park, CA (US)
(72) Inventors: **Christophe Marcel Rene Tauziet**, San Francisco, CA (US); **Alexandros Alexander**, Mountain View, CA (US); **Michael Stephen Booth**, Newport Beach, CA (US)
(73) Assignee: **Facebook, Inc.**, Menlo Park, CA (US)
(**) Term: **15 Years**
(21) Appl. No.: **29/579,978**
(22) Filed: **Oct. 4, 2016**
(51) **LOC (11) Cl.** **14-04**
(52) **U.S. Cl.**
USPC **D14/486**
(58) **Field of Classification Search**
USPC D14/485-495; D18/26, 31, 32, 33; D21/11, 12, 23, 24, 25, 29, 30, 31, 32, D21/36, 37, 38
CPC G06F 3/048; G06F 3/0481; G06F 3/0482; G06F 3/04817; G06F 3/04812; H04N 1/00424; H04N 1/2477
See application file for complete search history.

(56) **References Cited**

U.S. PATENT DOCUMENTS

D752,062 S * 3/2016 Forsblom D14/485
D760,742 S * 7/2016 Rawlins D14/485
D760,745 S * 7/2016 Rawlins D14/485
D771,064 S * 11/2016 Nuovo D14/485
D774,537 S * 12/2016 Hong D14/486
D775,172 S * 12/2016 Conze D14/486
D775,657 S * 1/2017 Thomas D14/488

D779,516 S * 2/2017 Pierson D14/486
D783,630 S * 4/2017 Ahn D14/485
D784,385 S * 4/2017 Kim D14/486
D790,560 S * 6/2017 Inose D14/485
D794,658 S * 8/2017 Weaver D14/485
2012/0264510 A1* 10/2012 Wigdor A63F 13/40
463/31
2016/0202866 A1* 7/2016 Zambetti G06F 3/0485
715/835
2017/0287214 A1* 10/2017 Anderson G06T 19/003
2017/0315608 A1* 11/2017 Shanware G06T 19/006
2017/0315612 A1* 11/2017 Shanware G06F 3/013
2017/0322911 A1* 11/2017 Kim G06F 17/212
2017/0336637 A1* 11/2017 Van Heugten G02B 27/0172
2017/0339341 A1* 11/2017 Zhou H04N 5/23238
2017/0344114 A1* 11/2017 Osterhout G06F 3/017
2017/0345219 A1* 11/2017 Holz G09G 5/18
2017/0352188 A1* 12/2017 Levitt G06T 19/006

* cited by examiner

Primary Examiner — Darlington Ly

(74) *Attorney, Agent, or Firm* — Baker Botts L.L.P.

(57) **CLAIM**

The ornamental design for a display screen with transitional graphical user interface, as shown and described.

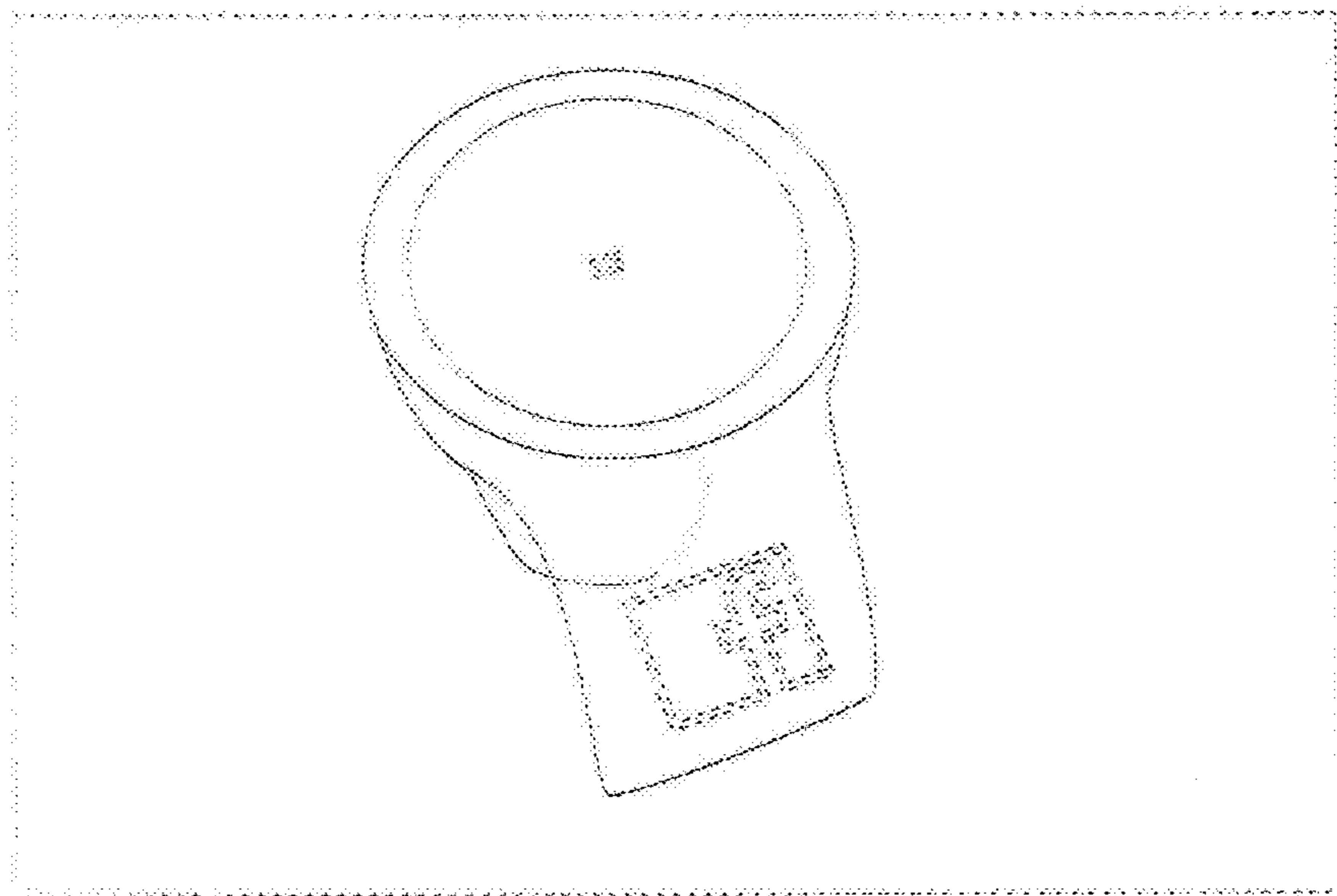
DESCRIPTION

FIG. 1 is a first view of a display screen with transitional graphical user interface showing our new design; FIG. 2 is a second view thereof; and, FIG. 3 is a third view thereof.

The broken lines in the drawings illustrate portions of the display screen and transitional graphical user interface that form no part of the claimed design.

The appearance of the transitional graphical user interface sequentially transitions between the images shown in FIGS. 1-3. The process or period in which one image transitions to another image forms no part of the claimed design.

1 Claim, 3 Drawing Sheets



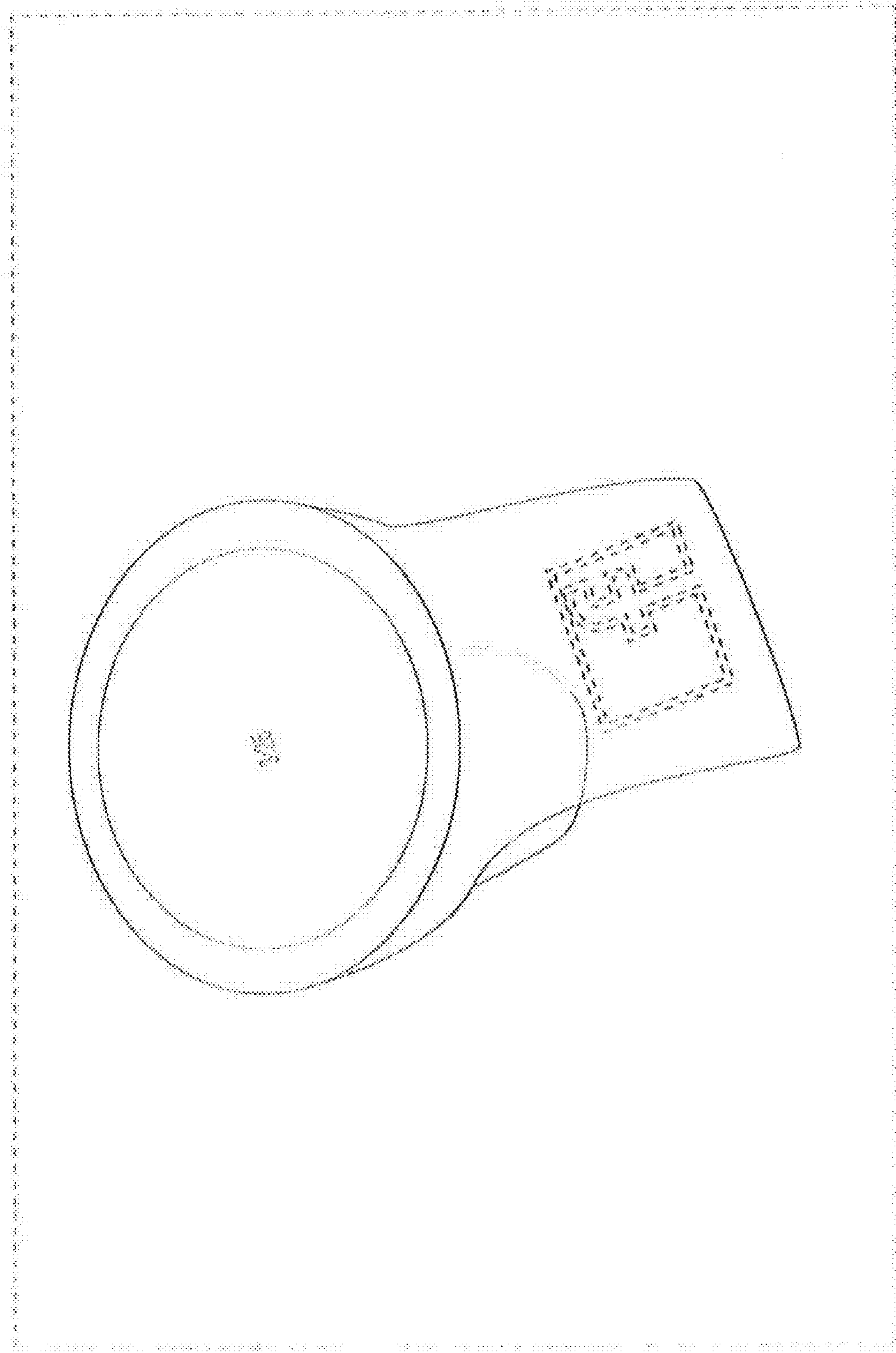


FIG. 1

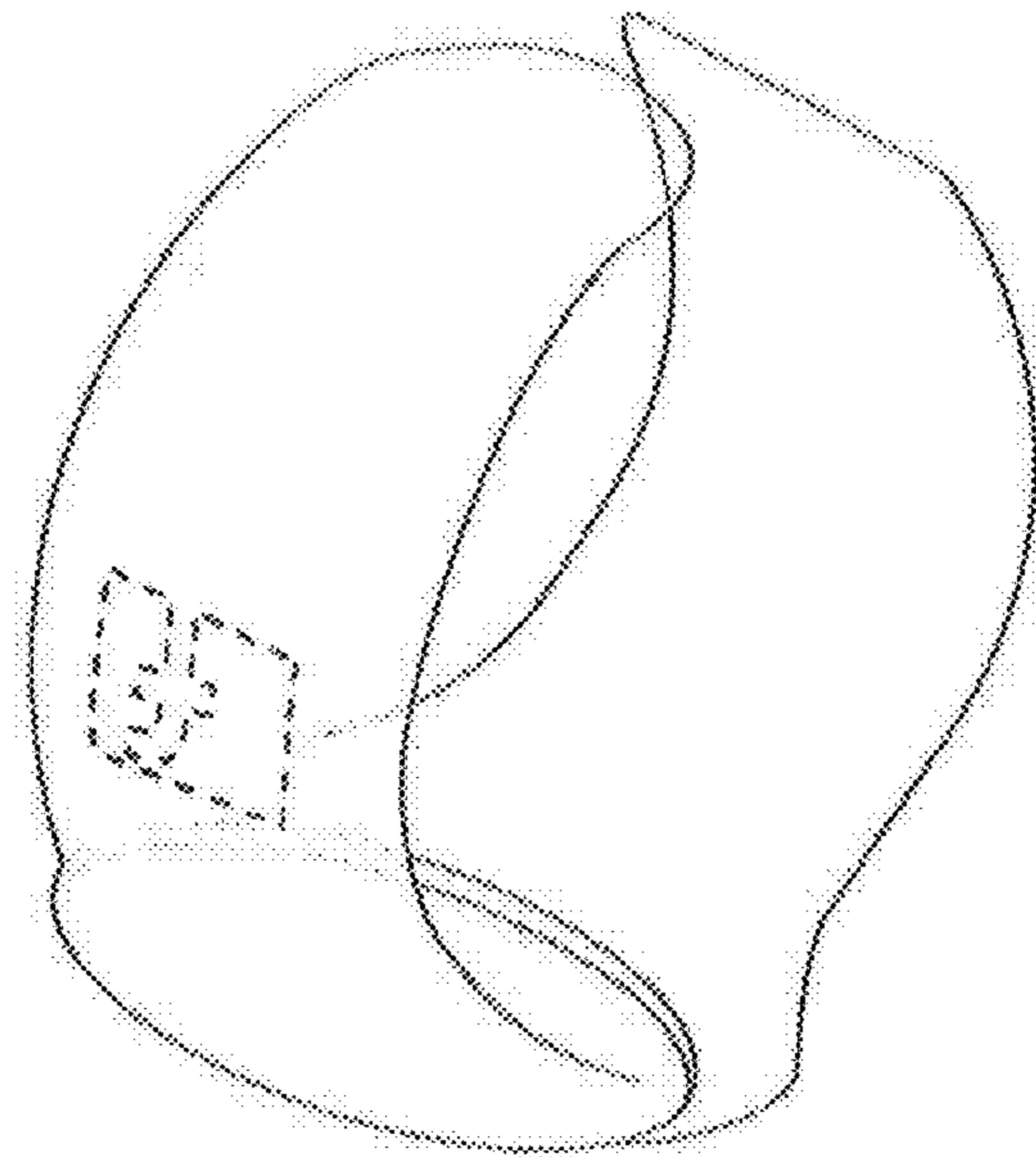


FIG. 2

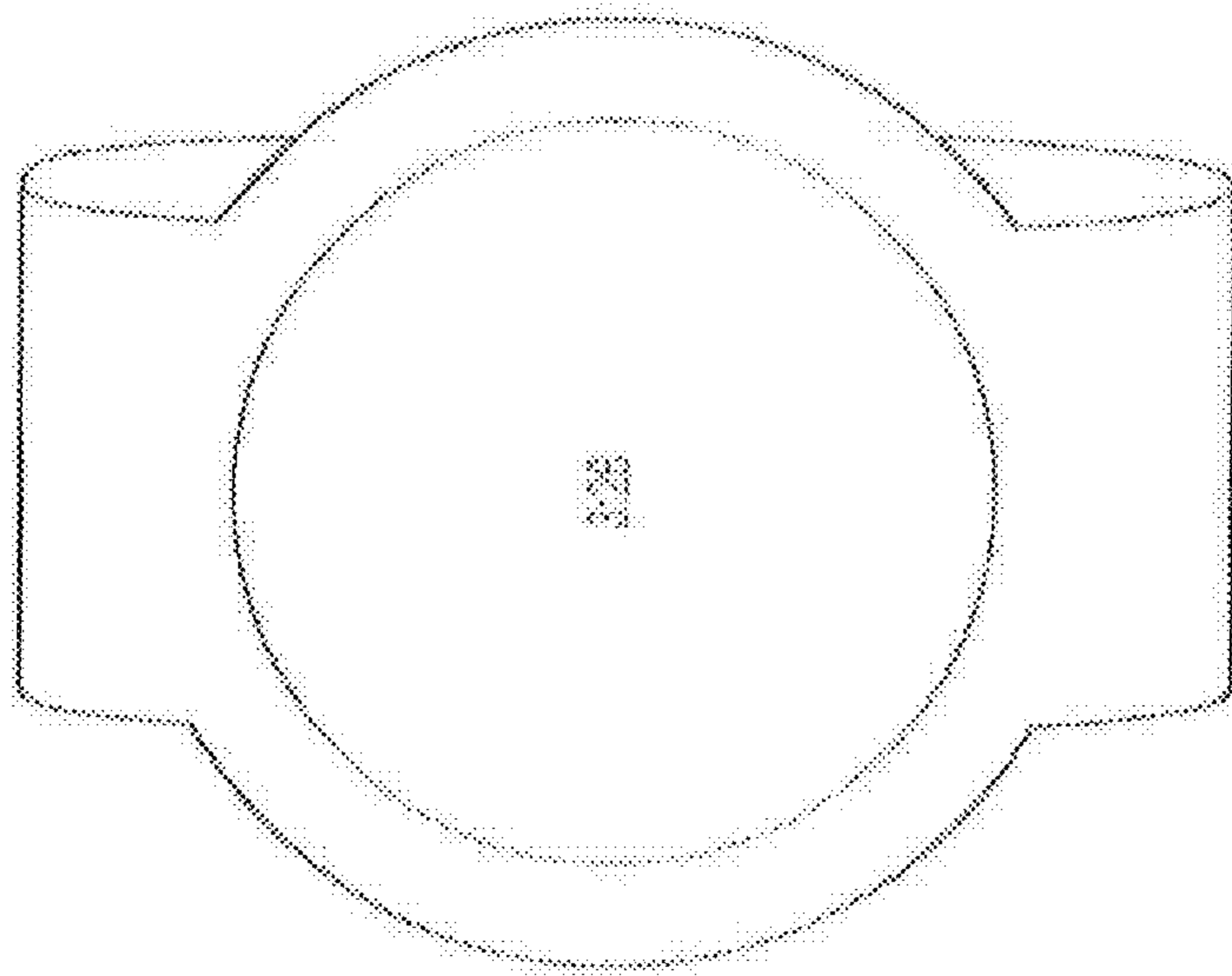


FIG. 3