



US00D851653S

(12) **United States Design Patent**
Huang et al.

(10) **Patent No.:** **US D851,653 S**
(45) **Date of Patent:** **** Jun. 18, 2019**

- (54) **MOBILE DEVICE ACCESSORY**
- (71) Applicant: **SYMBOL TECHNOLOGIES, LLC**,
Lincolnshire, IL (US)
- (72) Inventors: **Huang Chih Huang**, Taoyuan (TW);
Frank Gong, Syosset, NY (US); **Ian R. Jenkins**,
Stony Brook, NY (US)
- (73) Assignee: **Symbol Technologies, LLC**, Holtzville,
NY (US)
- (**) Term: **15 Years**
- (21) Appl. No.: **29/606,120**
- (22) Filed: **Jun. 1, 2017**
- (51) **LOC (11) Cl.** **14-02**
- (52) **U.S. Cl.**
USPC **D14/453; D14/428**
- (58) **Field of Classification Search**
USPC D14/144, 217, 224, 251–253, 434, 447,
D14/451–452, 230, 238, 358, 420,
D14/426–431, 453; D10/106.9; D34/27
CPC G06K 7/10386; G06K 7/10237
See application file for complete search history.

(56) **References Cited**

U.S. PATENT DOCUMENTS

- D323,182 S * 1/1992 Fukuda 396/420
- D460,075 S * 7/2002 Destefano D14/426
- D466,516 S * 12/2002 Peiker D14/434
- D509,829 S * 9/2005 MacGregor D14/453
- D512,427 S * 12/2005 Choi D14/428
- D532,813 S * 11/2006 Speggin F16M 11/14
D16/243
- 7,161,470 B2 * 1/2007 Berquist G06K 7/10079
340/10.31
- D544,485 S * 6/2007 Chen D14/428
- D577,358 S * 9/2008 Kettula D14/251
- D604,303 S * 11/2009 Boyd D14/428

- D605,645 S * 12/2009 Kettula D14/253
- D613,296 S * 4/2010 Hattori D14/426
- D614,625 S * 4/2010 Fitch D14/426
- D626,550 S * 11/2010 Julien D14/341
- 8,305,192 B2 * 11/2012 Connolly G06K 7/0008
235/462.2
- D692,004 S * 10/2013 Man D14/426
- D715,847 S * 10/2014 Herrero D16/243
- D719,955 S * 12/2014 Hsu D14/428
- D726,185 S * 4/2015 Park D14/420
- D726,186 S * 4/2015 Jenkins D14/426
- 9,444,145 B2 * 9/2016 Chan H01Q 9/285
- 9,692,114 B2 * 6/2017 Zhao H01Q 1/42
- D808,391 S * 1/2018 Schooneveldt D14/426

(Continued)

OTHER PUBLICATIONS

“RFD8500 Series,” Specification Sheet, retrieved from the Internet on Jun. 1, 2017, <<https://www.zebra.com/us/en/products/rfid/rfid-handhelds/rfd8500.html>>.

(Continued)

Primary Examiner — Cathron C Brooks
Assistant Examiner — Sharon S Oum

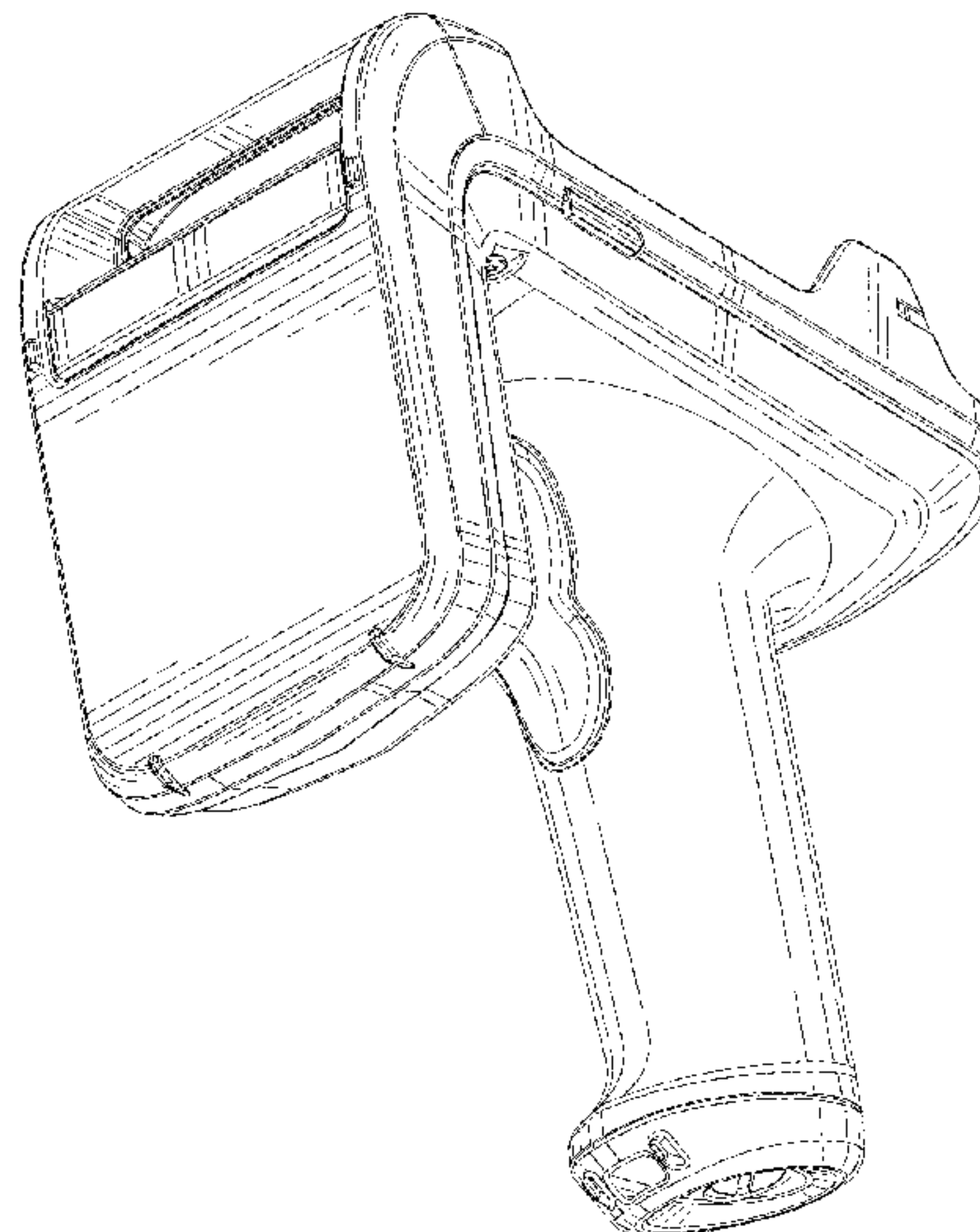
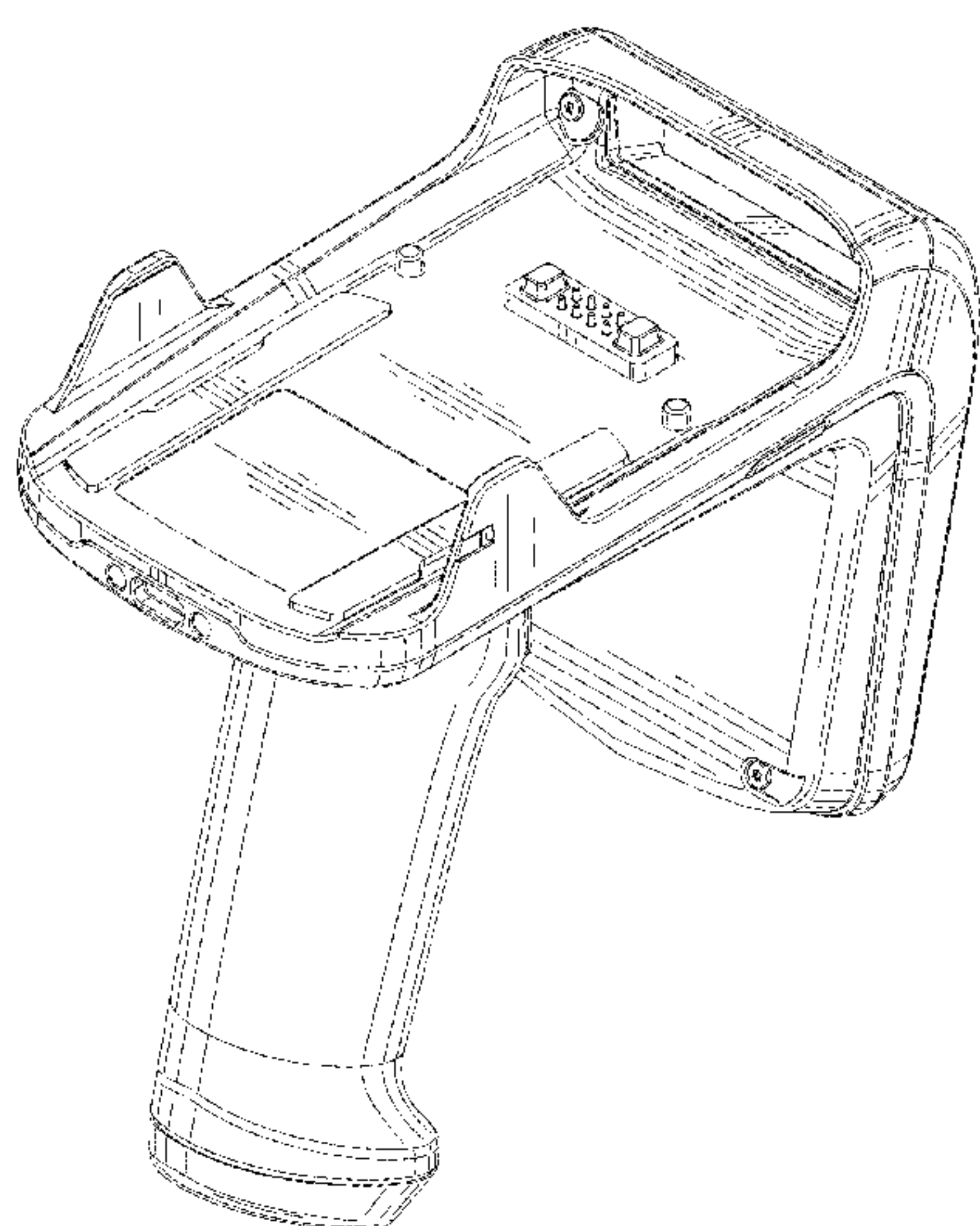
(57) **CLAIM**

We claim the ornamental design for a mobile device accessory, as shown and described.

DESCRIPTION

FIG. 1 is a top, right side perspective view of a mobile device accessory;
FIG. 2 is a bottom, left side perspective view thereof;
FIG. 3 is a right side view thereof;
FIG. 4 is a left side view thereof;
FIG. 5 is a rear view thereof;
FIG. 6 is a front view thereof;
FIG. 7 is a top view thereof; and,
FIG. 8 is a bottom view thereof.

1 Claim, 8 Drawing Sheets



(56)

References Cited

U.S. PATENT DOCUMENTS

2015/0063795 A1* 3/2015 Orton F16M 11/00
396/425

OTHER PUBLICATIONS

“Motorola RFD5500 UHF RFID Sled,” Product Spec Sheet, retrieved from the Internet on Jun. 1, 2017, <<https://www.barcodesinc.com/motorola/rfd5500.htm>>.

“Bluebird RFID Reader Solution,” Brochure, retrieved from the Internet on Jun. 1, 2017, <<http://www.bluebirdcorp.com/products/Mobile-Computers/RFID-Handheld-Reader/RFR900>>.

* cited by examiner

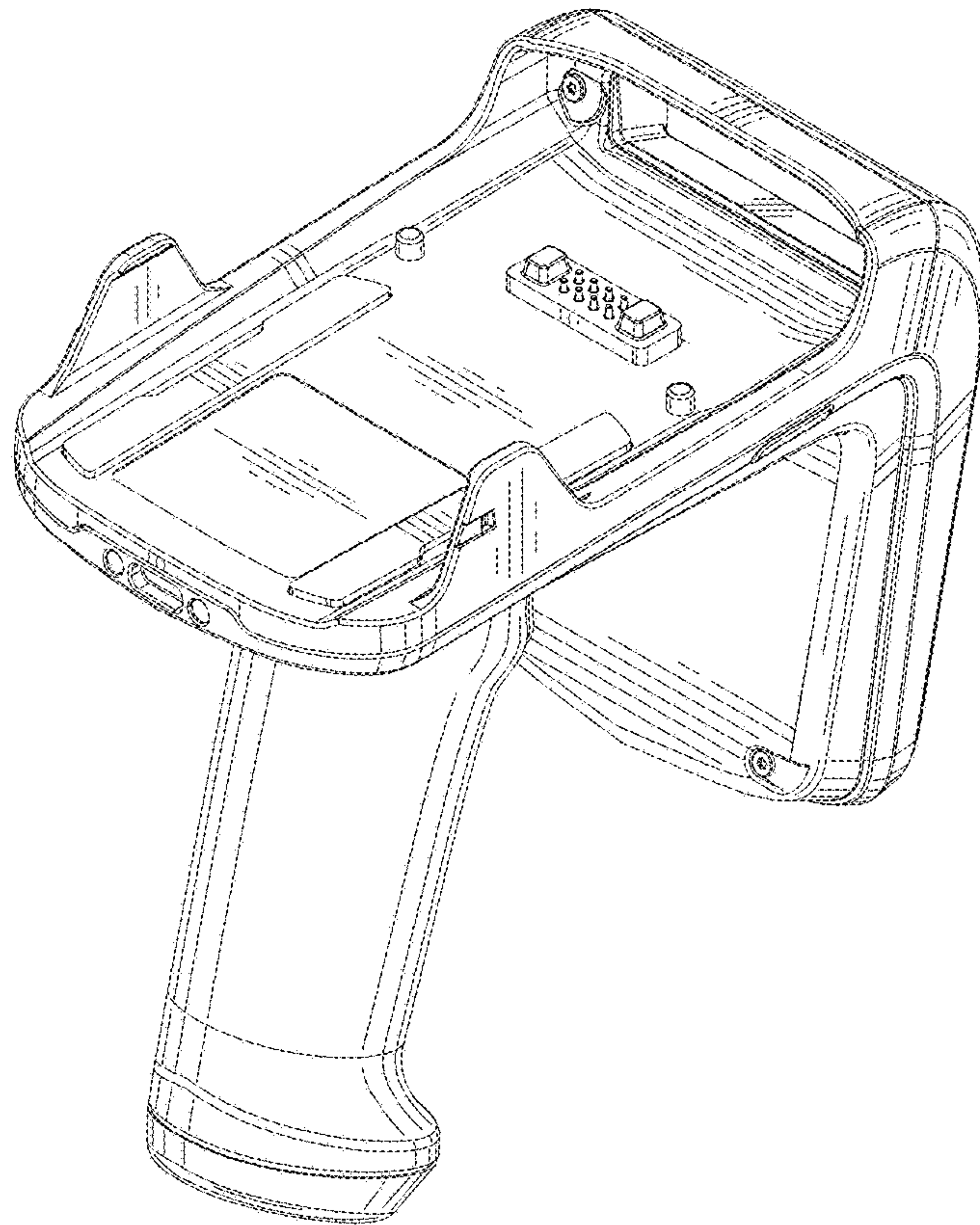


FIG. 1

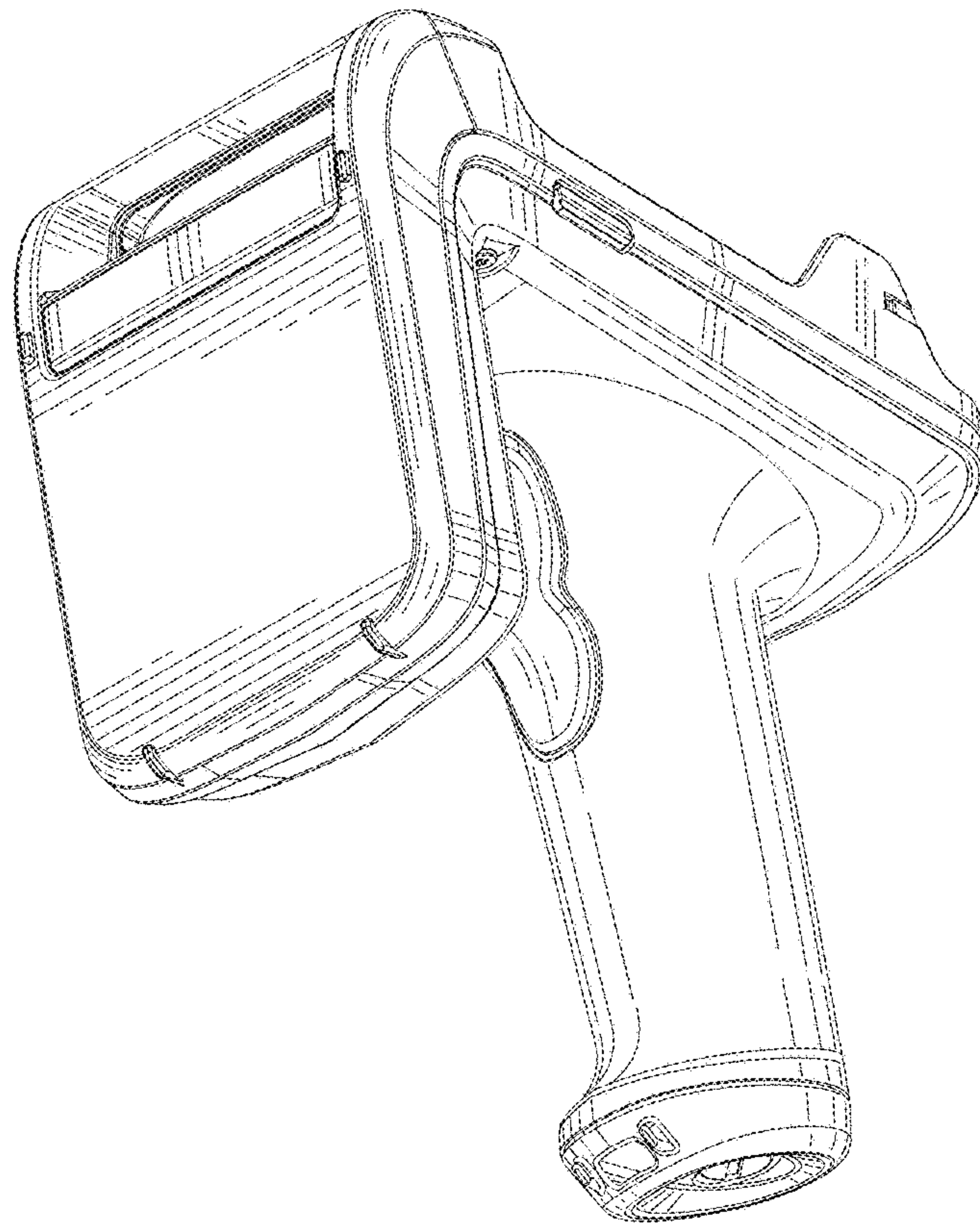


FIG. 2

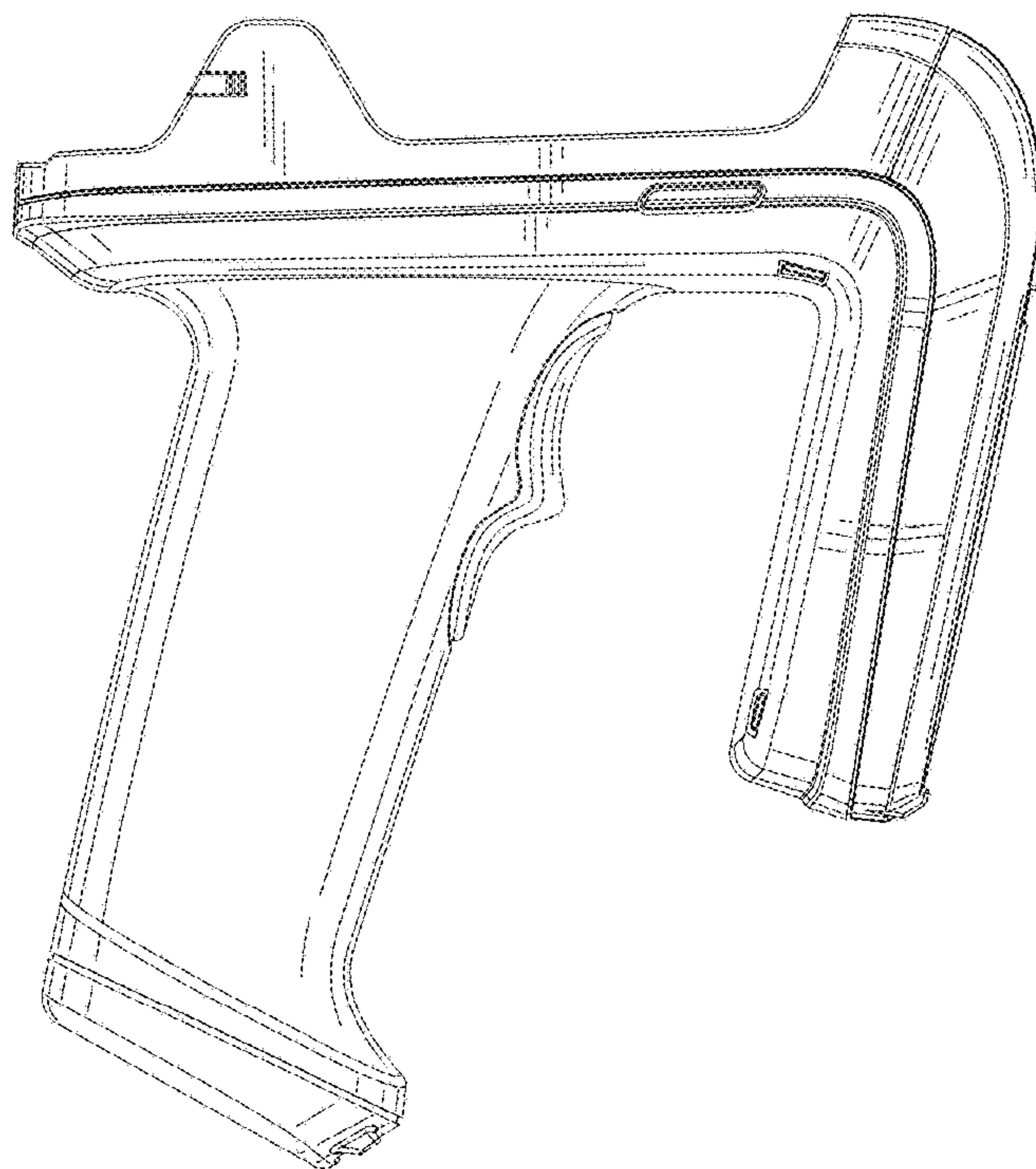


FIG. 3

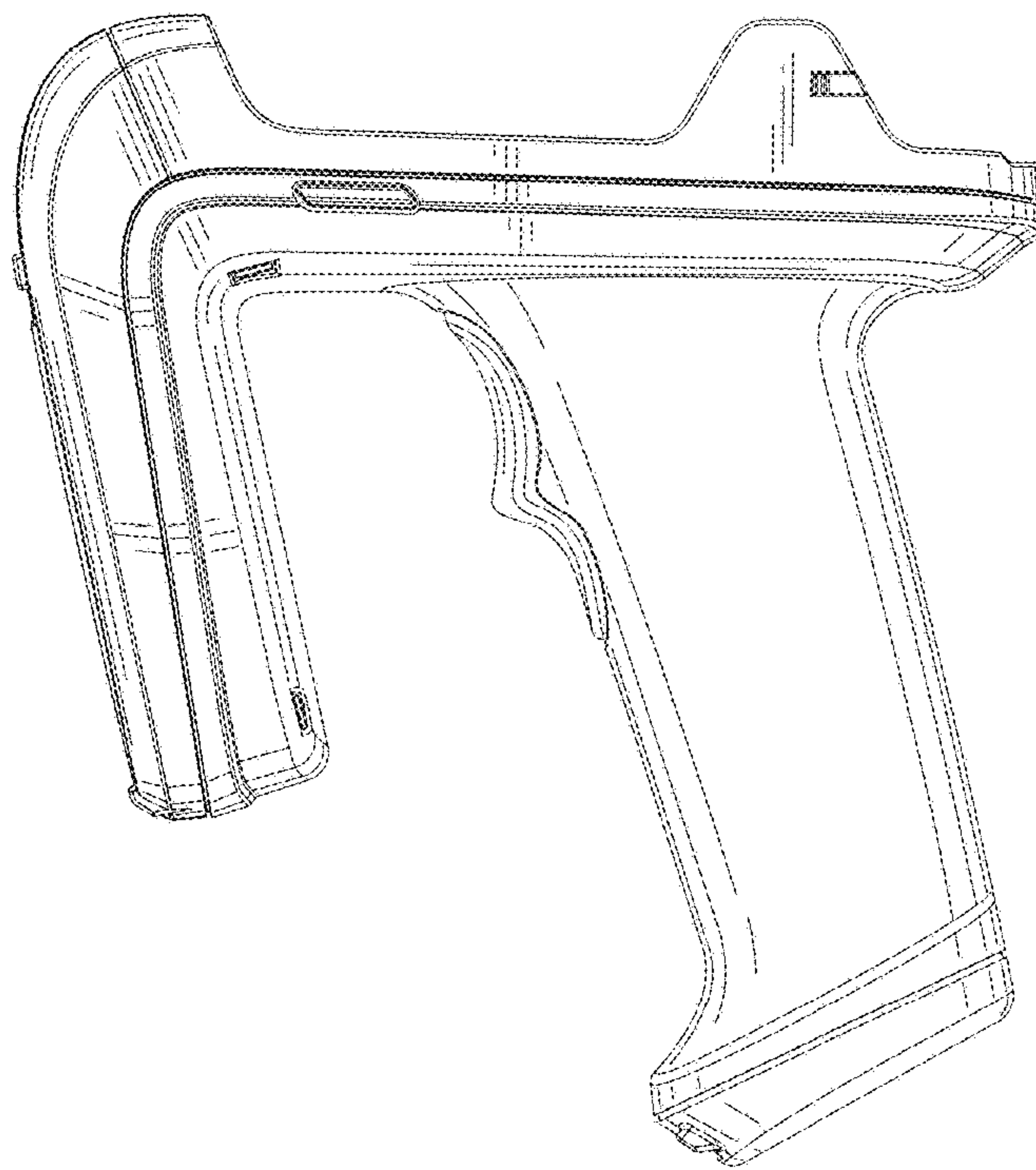


FIG. 4

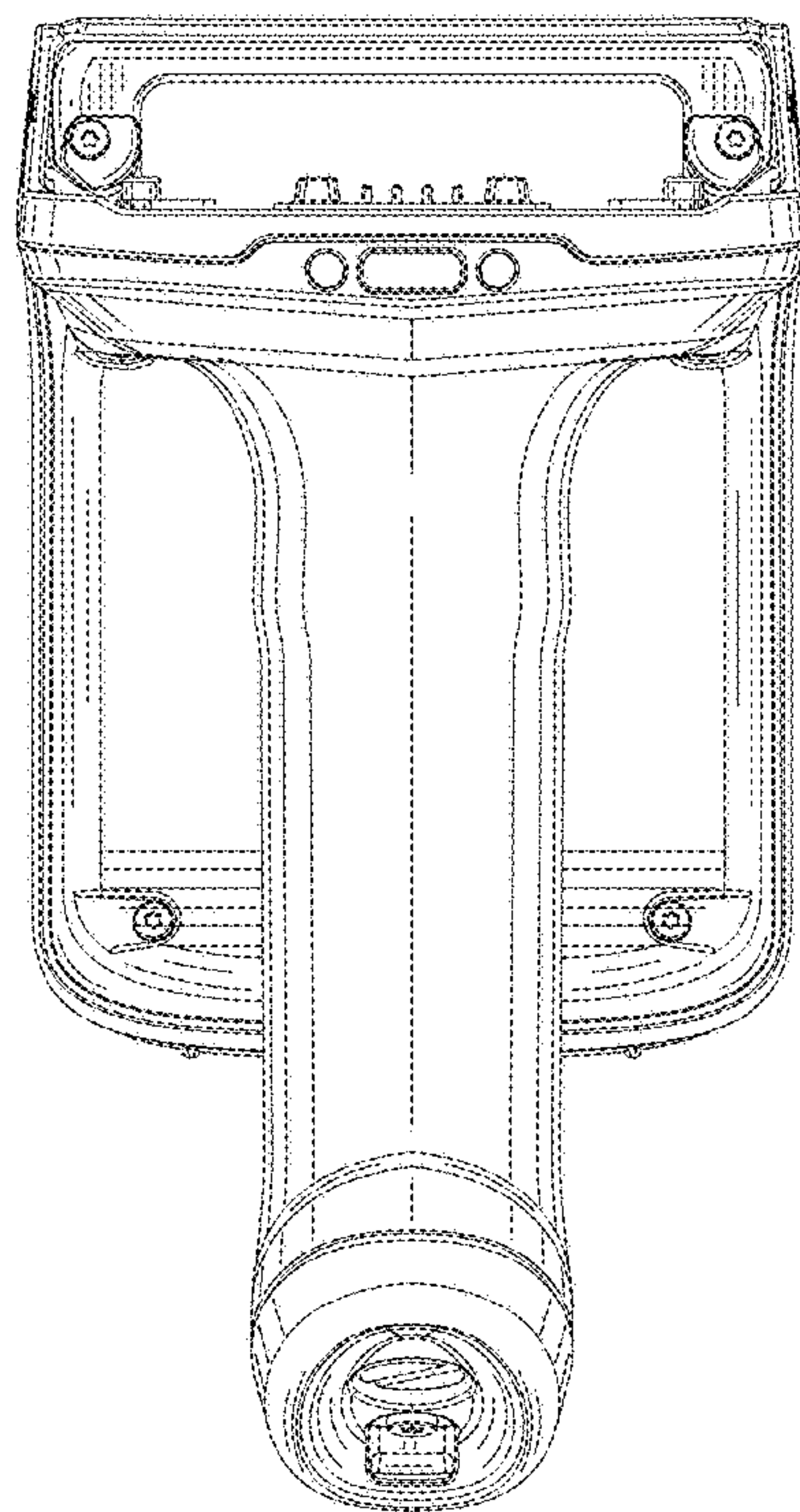


FIG. 5

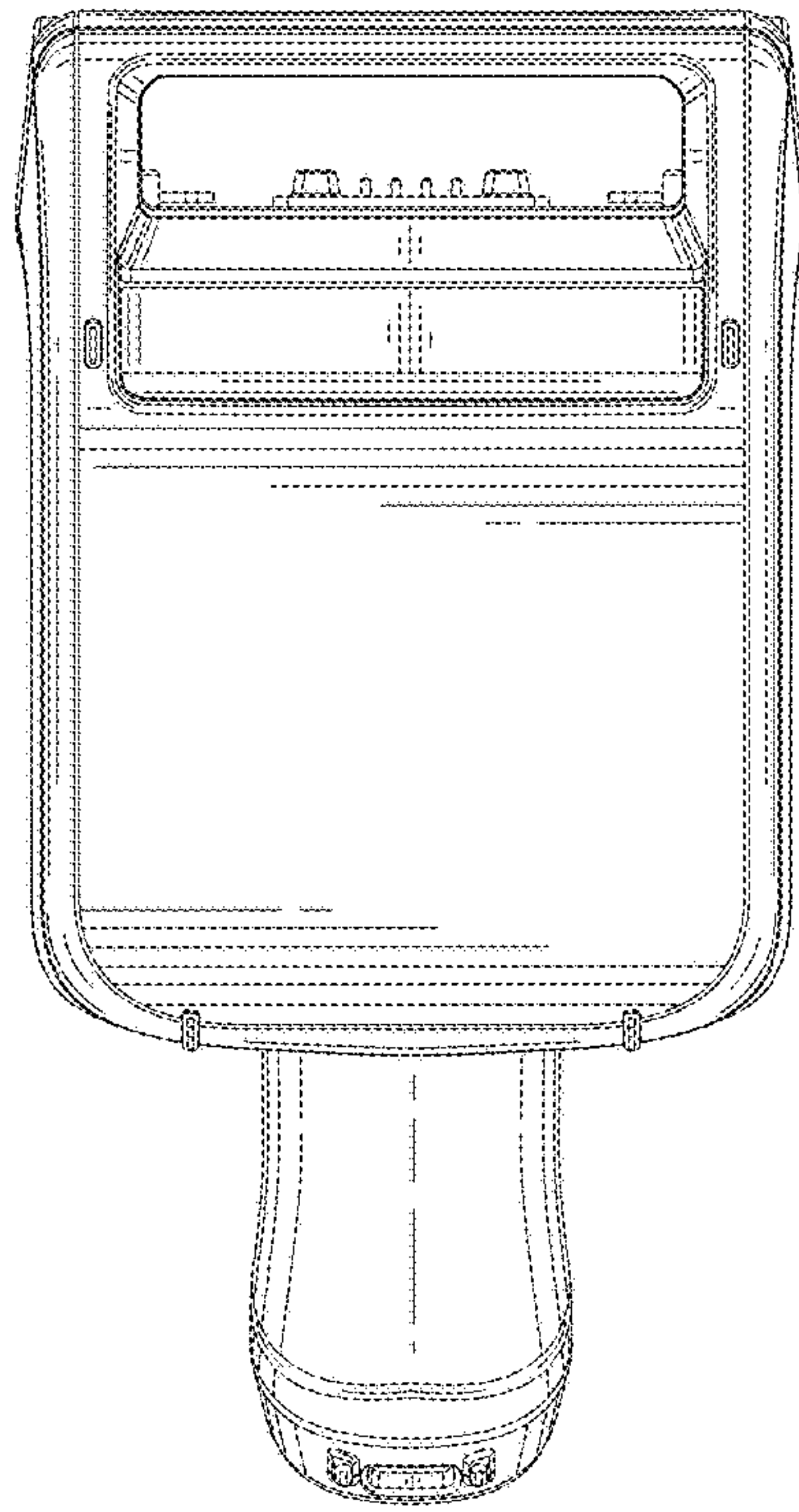


FIG. 6

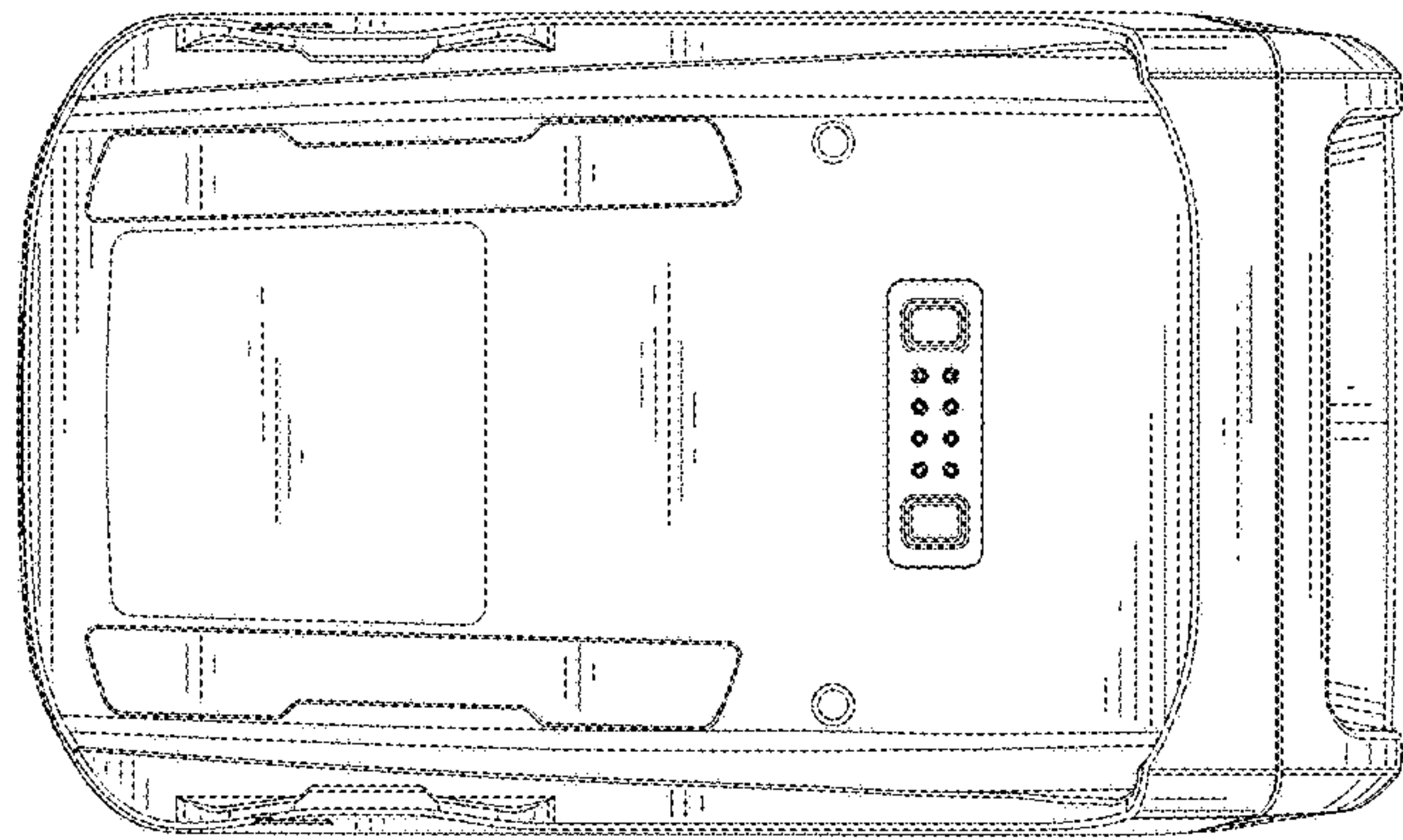


FIG. 7

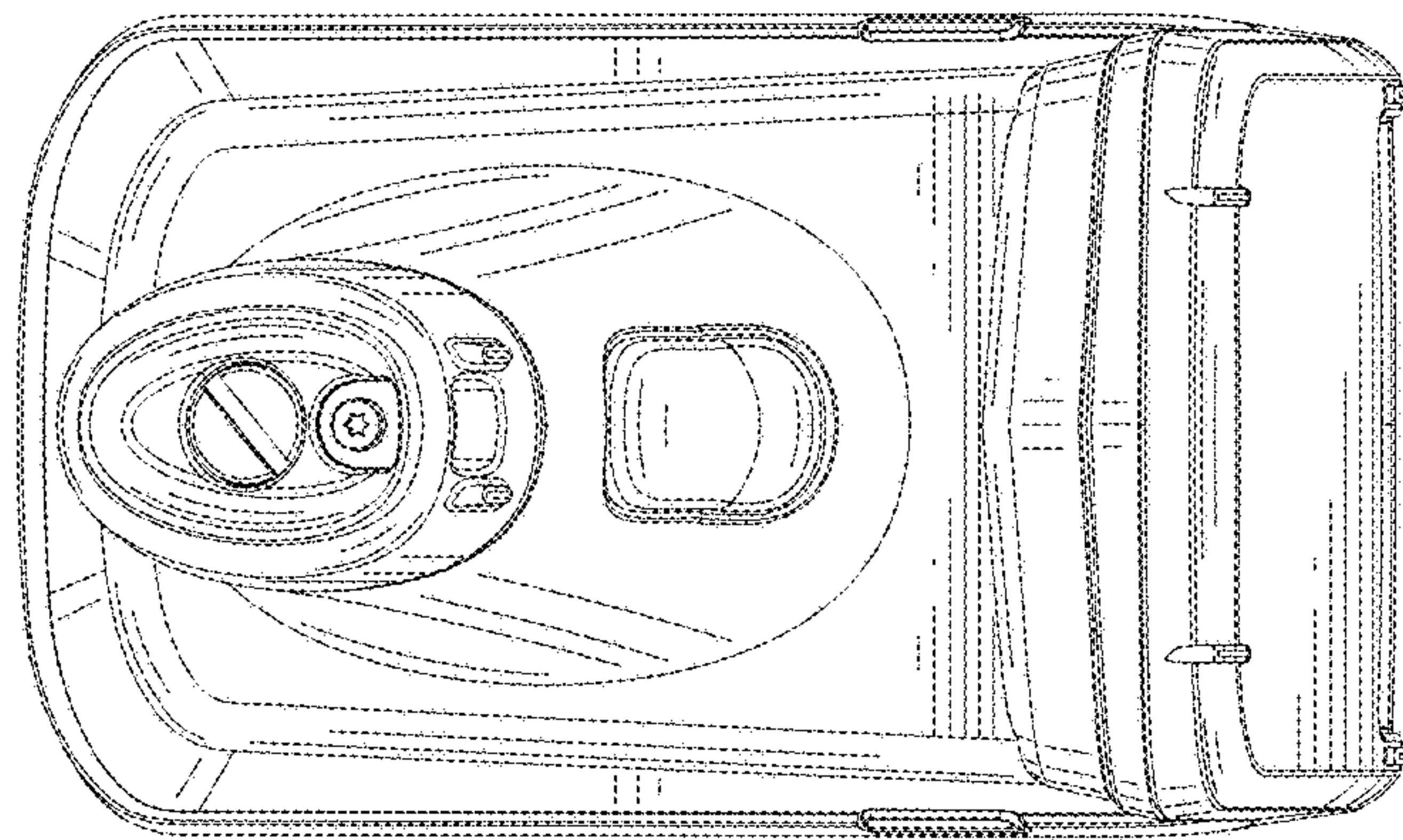


FIG. 8