



US00D851652S

(12) **United States Design Patent** (10) **Patent No.:** **US D851,652 S**
Lee et al. (45) **Date of Patent:** **** Jun. 18, 2019**

(54) **STAND FOR ELECTRONIC DEVICE**

D412,186 S * 7/1999 Goto D21/330

(71) Applicant: **elago CO. LTD**, Goyang-si,
Gyeonggi-do (KR)

D414,439 S 9/1999 Sugino
D416,291 S 11/1999 Sugino
6,743,104 B1 6/2004 Ota et al.

(Continued)

(72) Inventors: **Chan Woo Lee**, Goyang-si (KR);
Chong Min Kim, Seoul (KR)

FOREIGN PATENT DOCUMENTS

(73) Assignee: **elago CO. LTD**, Goyang-si,
Gyeonggi-Do (KR)

CN 304853026 10/2018
CN 304864642 10/2018

(Continued)

(**) Term: **15 Years**

OTHER PUBLICATIONS

(21) Appl. No.: **29/667,700**

Innelo Stand, viewed on Mar. 21, 2019, available at <https://www.amazon.com/innelo-Stand-Charging-Design-1-38mm/dp/B07CWS2MKT>.*

(22) Filed: **Oct. 24, 2018**

(51) **LOC (11) Cl.** **08-07**

(52) **U.S. Cl.**
USPC **D14/447**

(58) **Field of Classification Search**
USPC D14/447, 432, 434, 439, 440, 451, 452,
D14/457, 239; D8/363, 373, 380;
D6/406.3, 406.4, 406.5, 406.6; D12/415;
D21/330, 331
CPC A47B 21/04; A47B 2097/006; A47B
2097/005; A47B 2023/049; A45C
2011/002; A45C 2011/003; F16M
2200/00; F16M 13/00

See application file for complete search history.

Primary Examiner — Angela J Lee

(74) *Attorney, Agent, or Firm* — Paratus Law Group,
PLLC

(57) **CLAIM**

The ornamental design for a stand for electronic device, as shown and described.

DESCRIPTION

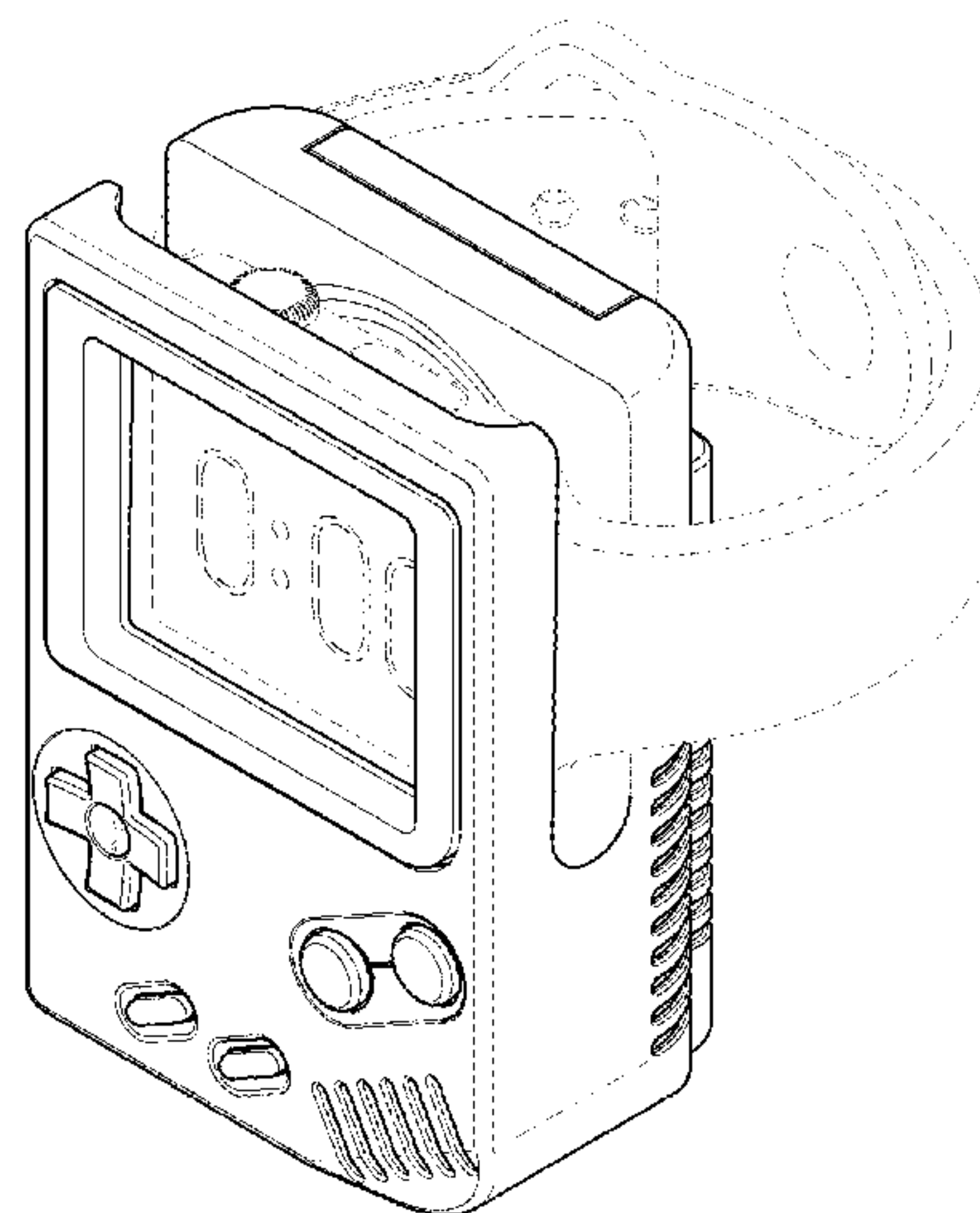
FIG. 1 is a front, top and left perspective view of stand for electronic device showing claimed design;
FIG. 2 is a front view thereof;
FIG. 3 is a back view thereof;
FIG. 4 is a left side view thereof;
FIG. 5 is a right side view thereof;
FIG. 6 is a top view thereof;
FIG. 7 is a bottom view thereof;
FIG. 8 is a back, bottom and right perspective view thereof;
and,
FIG. 9 is a front, top and left perspective view thereof in use. The broken lines depict environment and form no part of the claimed design.

(56) **References Cited**

U.S. PATENT DOCUMENTS

D318,884 S 8/1991 Kojo
5,095,798 A 3/1992 Okada et al.
D329,470 S 9/1992 Kaneko
5,184,830 A 2/1993 Okada et al.
D342,762 S 12/1993 Wing
D347,247 S 5/1994 Ho
D347,450 S * 5/1994 Nagata D21/331
D349,929 S 8/1994 Lee
D375,126 S * 10/1996 Ikenaga D21/330
D383,798 S 9/1997 Yokoi et al.
D394,883 S 6/1998 Tsui

1 Claim, 8 Drawing Sheets



(56)

References Cited

U.S. PATENT DOCUMENTS

6,810,463	B2	10/2004	Okada et al.	
D696,672	S *	12/2013	Brittain	D14/447
D706,785	S *	6/2014	Brittain	D14/447
D751,558	S *	3/2016	Lee	D10/103
D752,596	S *	3/2016	Choi	D14/447
9,457,266	B2	10/2016	Eck et al.	
D780,186	S	2/2017	Lee	
D783,624	S *	4/2017	Reaux	D14/447
D796,516	S *	9/2017	Grote	D14/440
D798,873	S *	10/2017	Ng	D14/447
D799,463	S *	10/2017	Deng	D14/252
D819,563	S	6/2018	Wei	
D830,365	S *	10/2018	Buller	D14/432
2009/0057357	A1 *	3/2009	Rohrbach	A45F 5/00 224/222

FOREIGN PATENT DOCUMENTS

CN	304919103	11/2018
GB	2025304	12/1992

* cited by examiner

FIG. 1

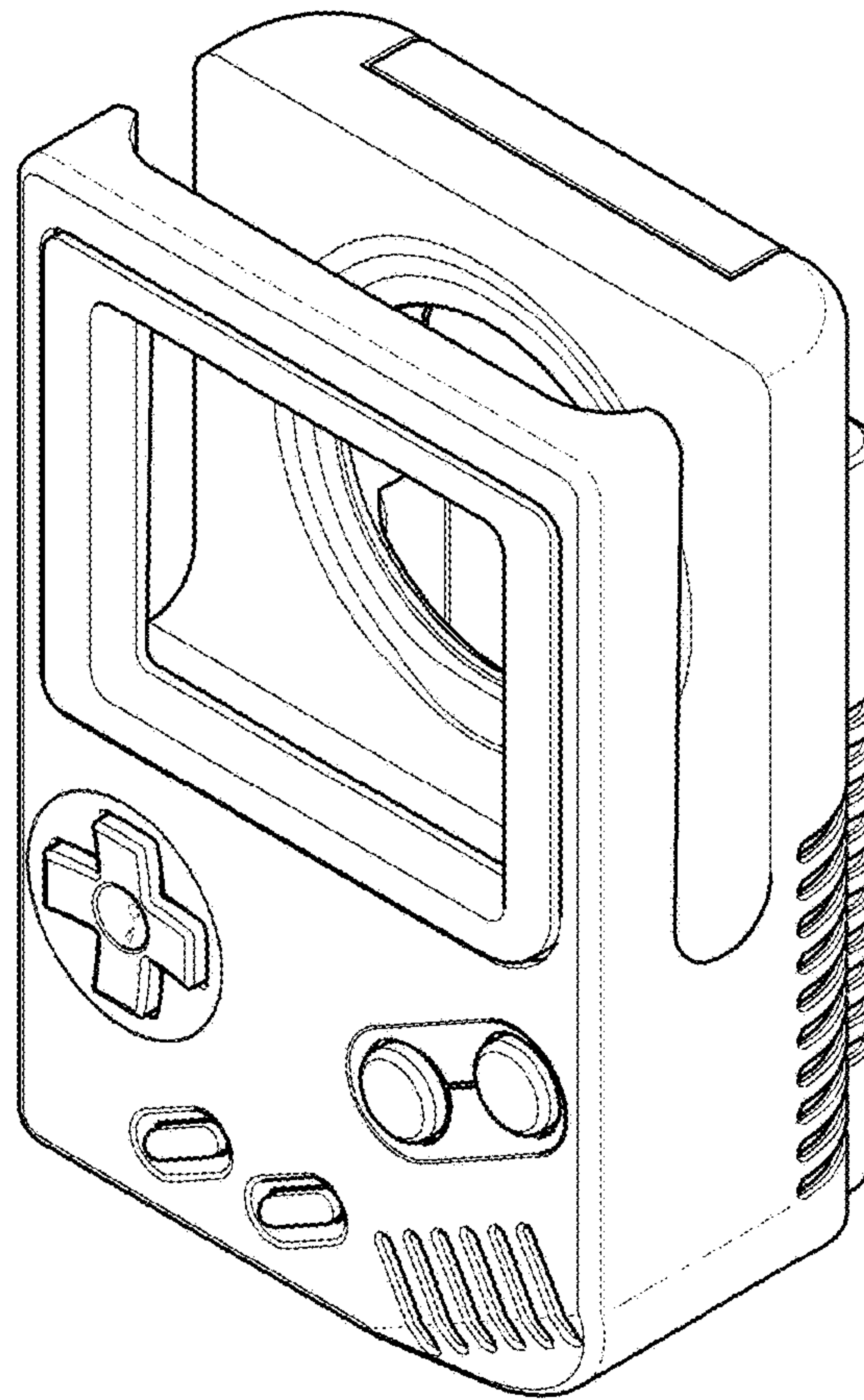


FIG. 2

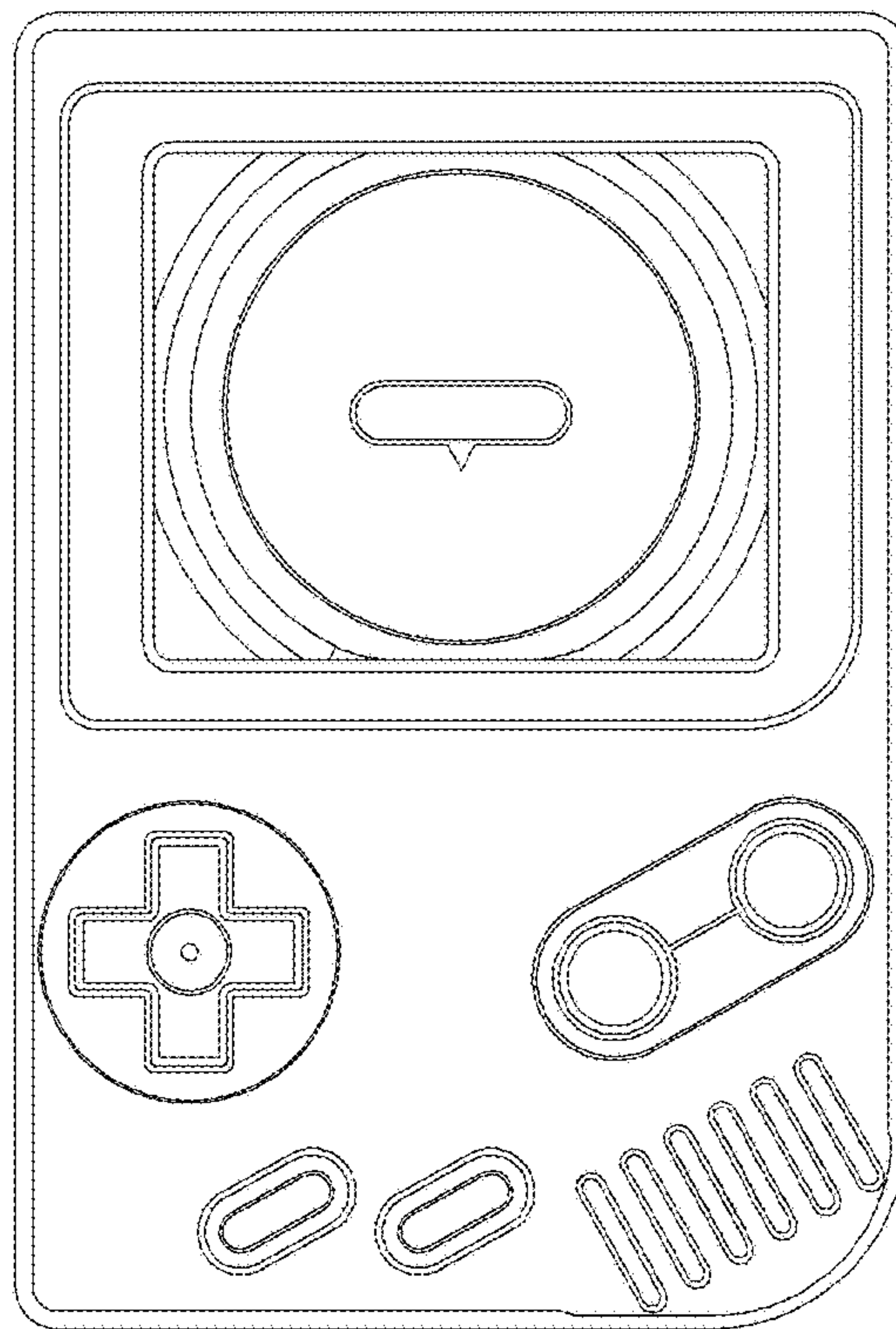


FIG. 3

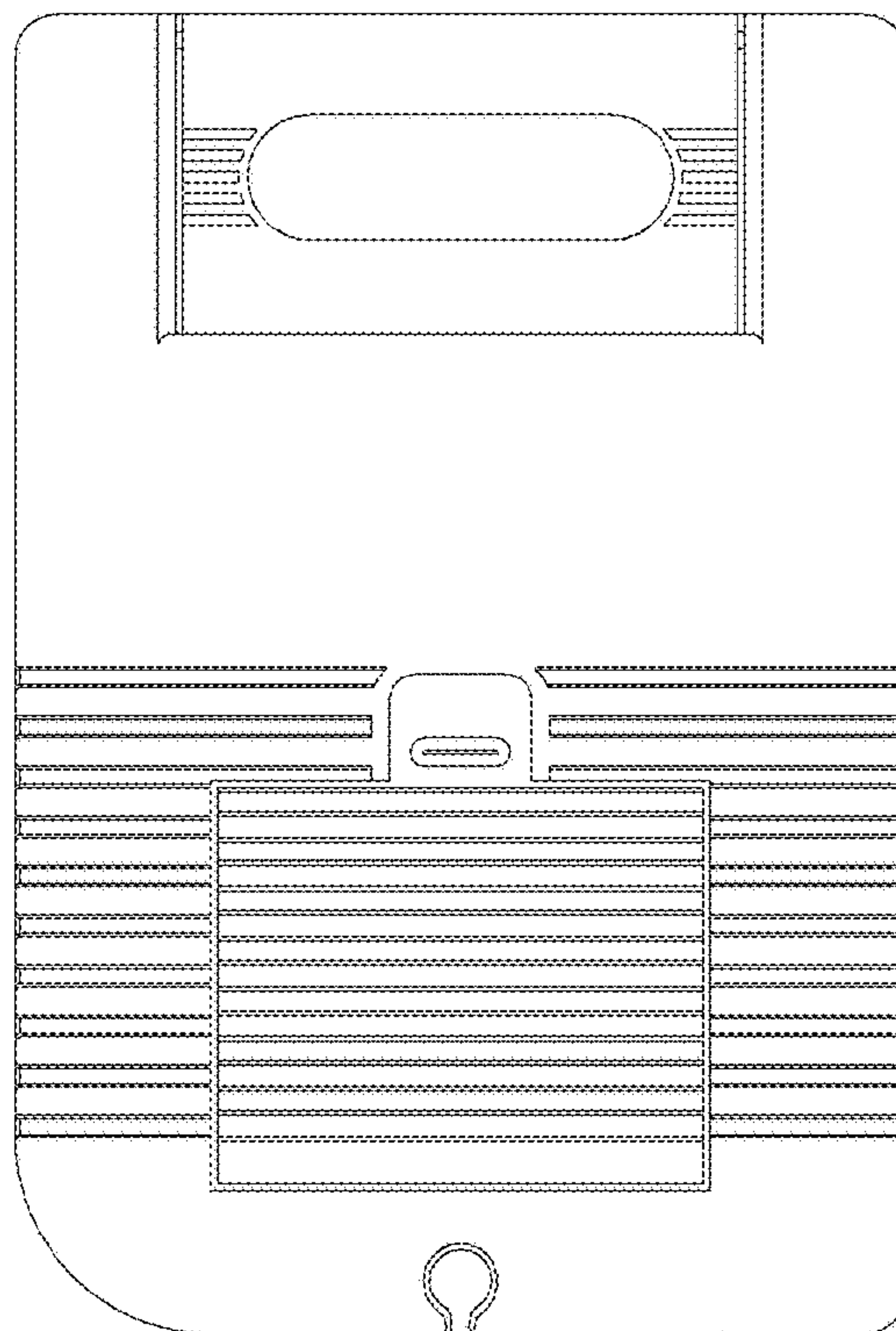


FIG. 4

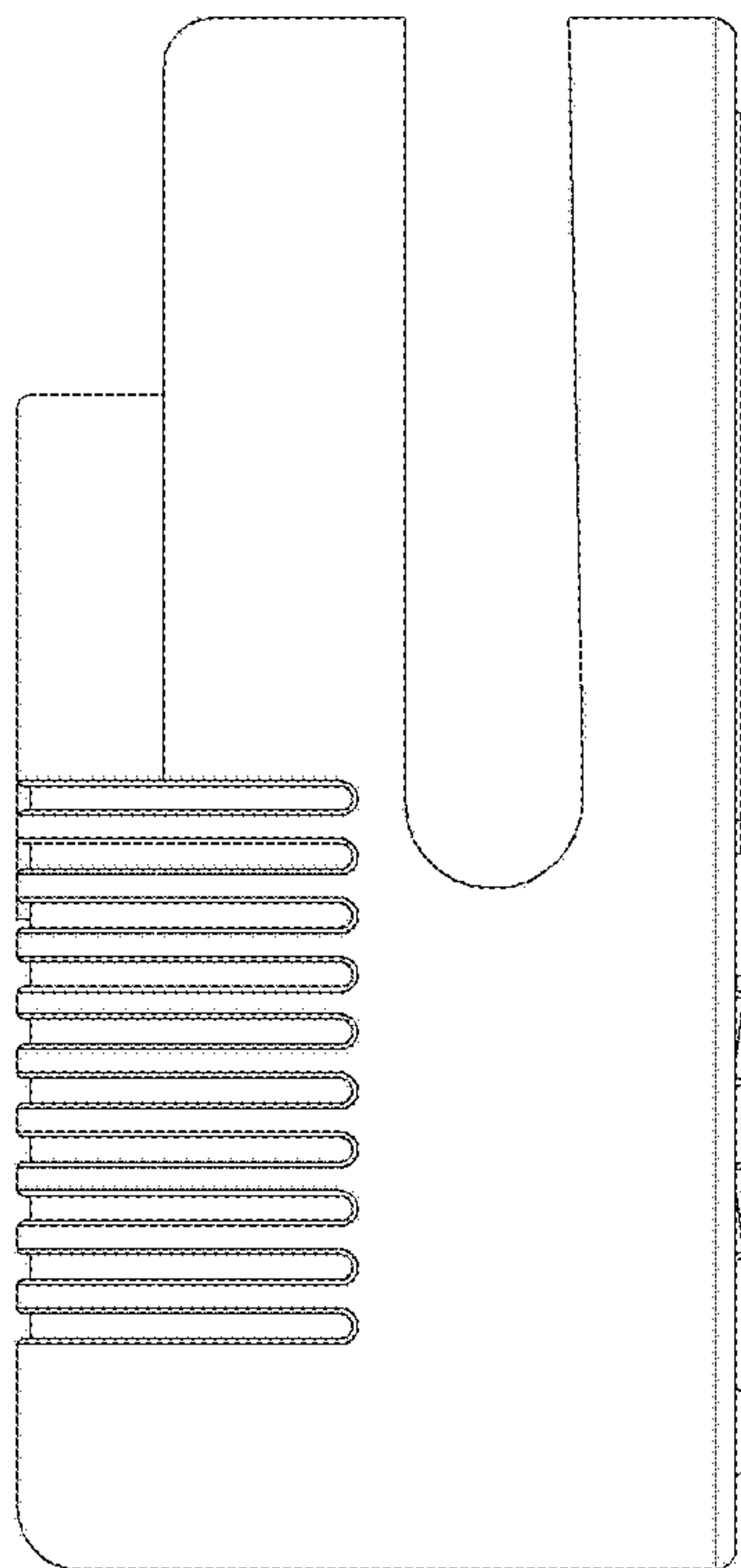


FIG. 5

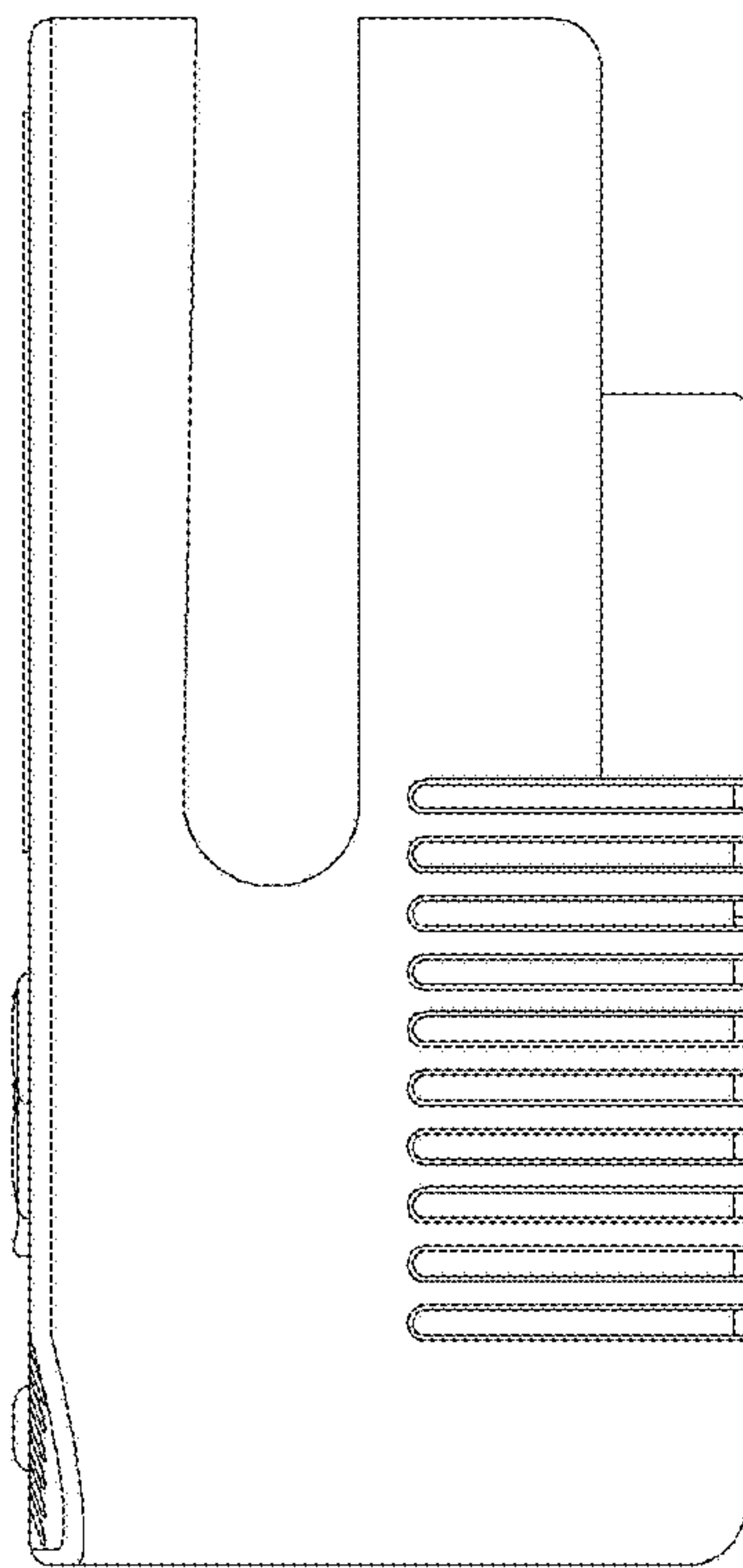


FIG. 6

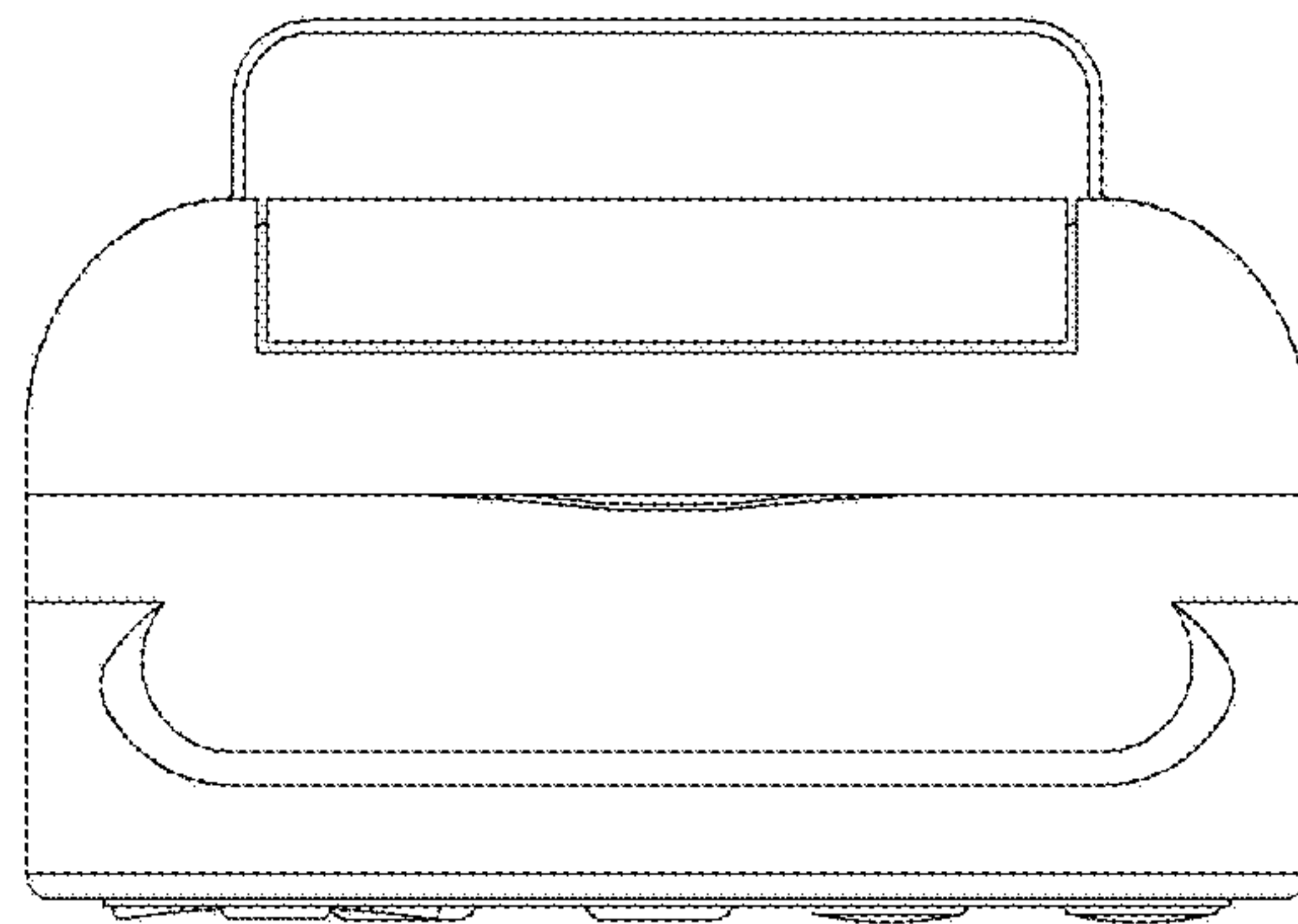


FIG. 7

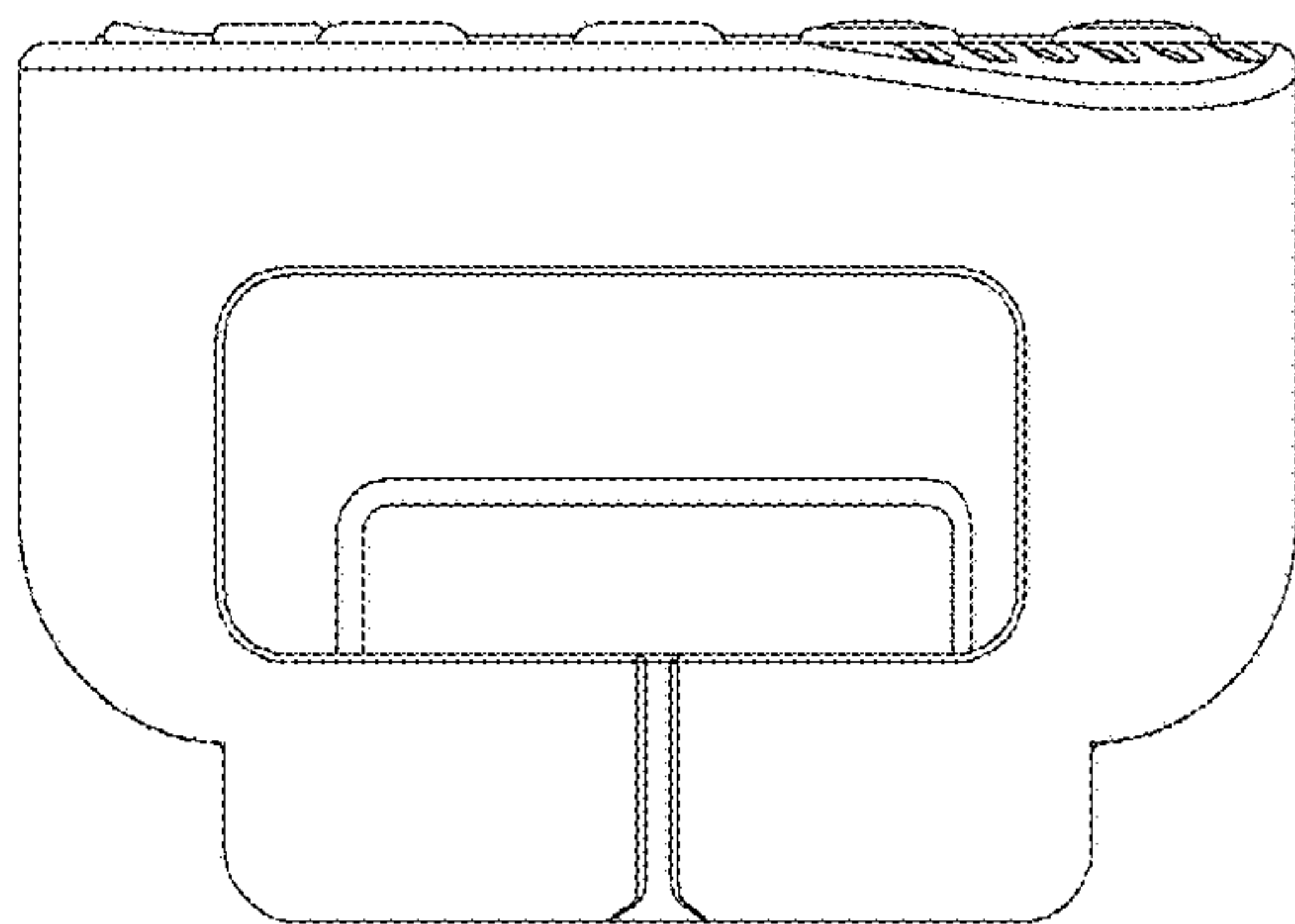


FIG. 8

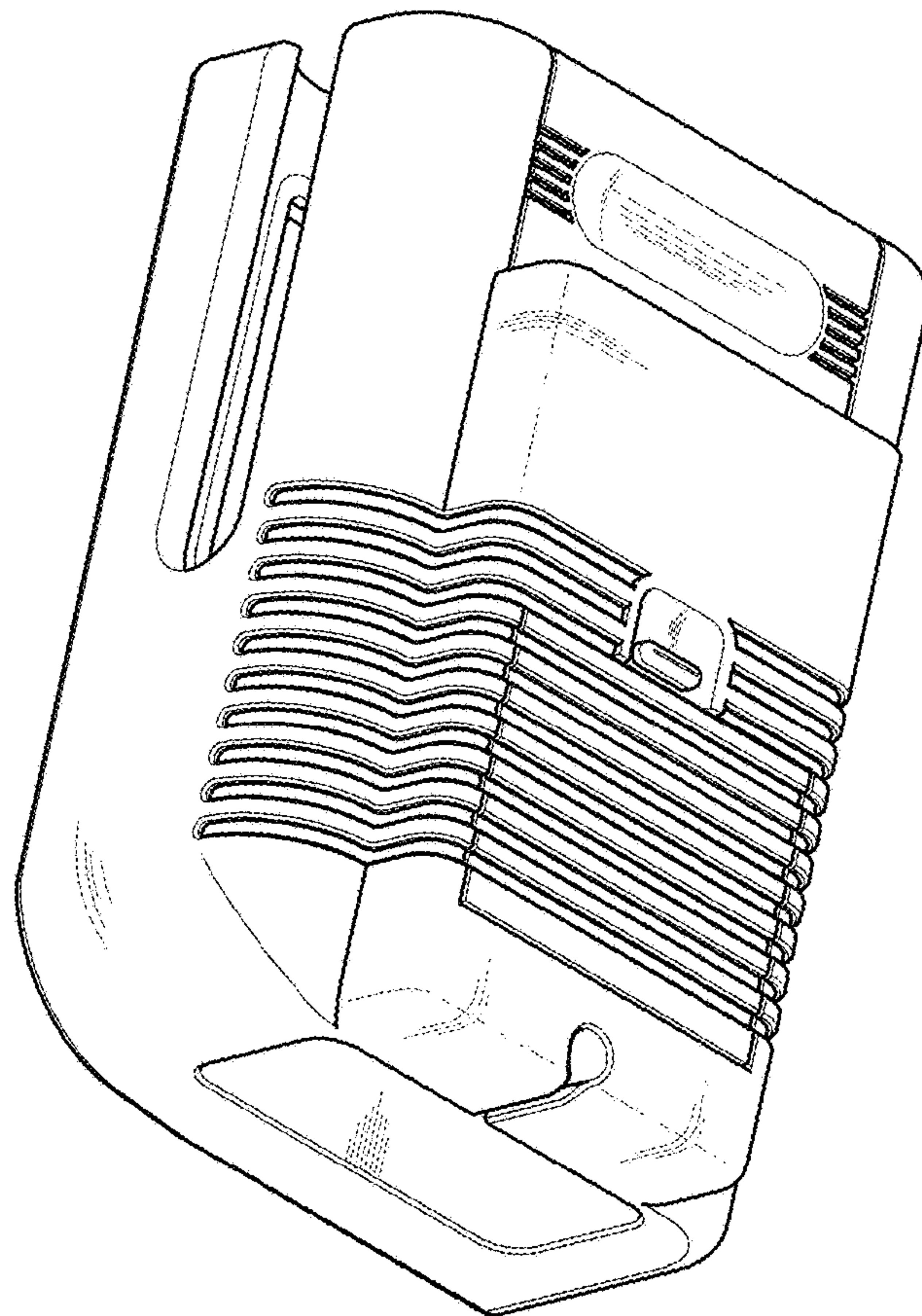


FIG. 9

