



US00D851650S

(12) **United States Design Patent**
Minn et al.

(10) **Patent No.:** **US D851,650 S**
(45) **Date of Patent:** **** Jun. 18, 2019**

(54) **MOUNTING ELEMENT OF A DASHBOARD VENT MOUNT FOR AN ELECTRONIC DEVICE**

FOREIGN PATENT DOCUMENTS

CN 301670390 9/2011
CN 202907016 U 4/2013

(Continued)

(71) Applicant: **Kenu, Inc.**, San Francisco, CA (US)

(72) Inventors: **Kenneth Y. Minn**, San Francisco, CA (US); **David E. Yao**, San Francisco, CA (US)

OTHER PUBLICATIONS

Amendment dated Apr. 14, 2017, in U.S. Appl. No. 13/897,062, filed May 17, 2013.

(Continued)

(73) Assignee: **Kenu, Inc.**, San Francisco, CA (US)

(**) Term: **15 Years**

Primary Examiner — Angela J Lee

(74) *Attorney, Agent, or Firm* — Vierra Magen Marcus LLP

(21) Appl. No.: **29/599,624**

(57) **CLAIM**

(22) Filed: **Apr. 5, 2017**

The ornamental design for a mounting element of a dashboard vent mount for an electronic device, as shown and described.

Related U.S. Application Data

DESCRIPTION

(60) Division of application No. 14/736,090, filed on Jun. 10, 2015, now Pat. No. 9,718,412, which is a (Continued)

(51) **LOC (11) Cl.** **08-07**

(52) **U.S. Cl.**
USPC **D14/447**

(58) **Field of Classification Search**
USPC D14/447, 432, 434, 439, 440, 451, 452, D14/457, 239, 251, 253; D8/363, 373, (Continued)

FIG. 1 is an elevation view of the mounting element of a dashboard vent mount for an electronic device; FIG. 2 is a plan view of the top of the mounting element of a dashboard vent mount for an electronic device; FIG. 3 is an elevation view of the left side of the mounting element of a dashboard vent mount for an electronic device; FIG. 4 is an elevation view of the right side of the mounting element of a dashboard vent mount for an electronic device; FIG. 5 is a plan view of the bottom of the mounting element of a dashboard vent mount for an electronic device; and, FIG. 6 is an isometric view of the mounting element of a dashboard vent mount for an electronic device.

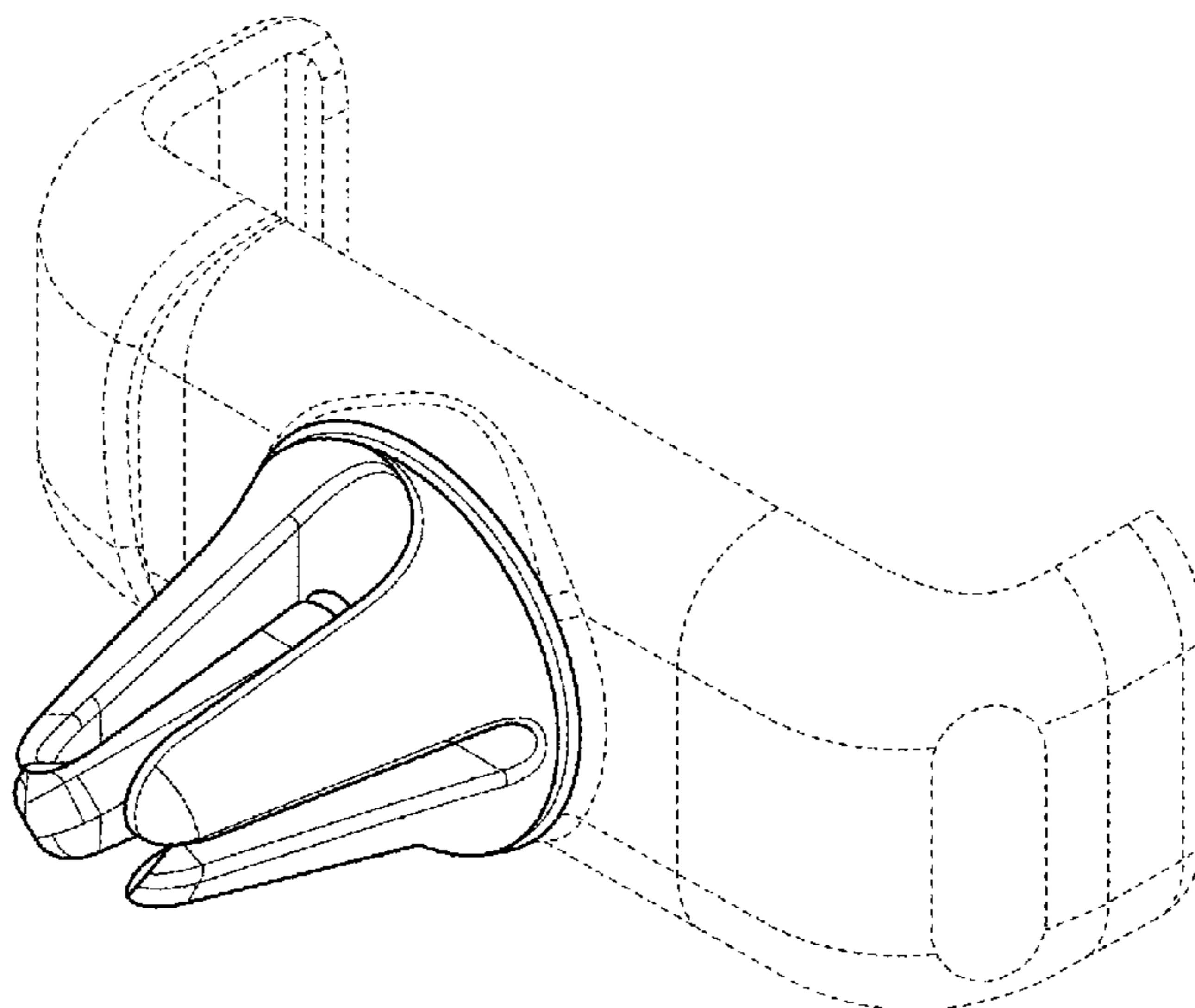
(56) **References Cited**

The broken line portion of the figure drawings, which illustrate a clamping element portion of a dashboard vent mount for a portable electronic device, is included to show unclaimed subject matter only and forms no part of the claimed design.

U.S. PATENT DOCUMENTS

2,580,625 A 1/1952 Waltz
4,523,870 A 6/1985 Spector
(Continued)

1 Claim, 6 Drawing Sheets



(56)

References Cited

FOREIGN PATENT DOCUMENTS

KR	20-0429528	10/2006
KR	10-2012-0125933	11/2012
TW	D103373	3/2005
TW	D149647	10/2012
WO	WO 9604153	2/1996
WO	WO2004091673 A1	10/2004
WO	D066974-001	9/2005
WO	2010002291 A1	1/2010

OTHER PUBLICATIONS

Amendment dated Jun. 15, 2017, in U.S. Appl. No. 13/897,062, filed May 17, 2013.

Notice of Allowance dated Jun. 26, 2017, in U.S. Appl. No. 13/897,062, filed May 17, 2013.

Design U.S. Appl. No. 29/601,533, filed Apr. 24, 2017.

U.S. Appl. No. 15/653,897, filed Jul. 19, 2017.

Notice of Allowance dated Jan. 21, 2016, in U.S. Appl. No. 29/494,462, filed Jun. 20, 2014.

Amendment dated Nov. 13, 2015, in U.S. Appl. No. 29/494,462, filed Jun. 20, 2014.

Office Action dated Aug. 24, 2015, in U.S. Appl. No. 29/494,462, filed Jun. 20, 2014.

Search Report for Taiwanese Design Patent Application No. 103305833, completed date Apr. 16, 2015.

China Quality Suppliers; "Black or White Car Air Vent Mount Holder/Adjustable Universal Mobile Phone Stand Holder;" <http://www.hebeimanjikefrp.com/sale-2307306-black-or-white-car-air-vent-mount-holder-adjustable-universal-mobile-phone-stand-holder.html>; Copyright 2014-2015.

Exogear; "ExoMount Touch;" <http://www.exogear.com/products-exomount-touch-one-touch-car-mount-holder.html>; Copyright 2013 Exogear.

Office Action dated Sep. 27, 2017, in U.S. Appl. No. 15/653,897, filed Jul. 19, 2017.

Notice of Allowance dated May 15, 2013, in Design U.S. Appl. No. 29/437,793, filed Nov. 20, 2012.

Office Action dated Oct. 13, 2014, in U.S. Appl. No. 13/897,062, filed May 17, 2013.

Response to Office Action filed Nov. 3, 2014, in U.S. Appl. No. 13/897,062, filed May 17, 2013.

Arkon Resources Inc., SMH429-SBH Universal Air Vent Swivel Mount with Adjustable Cradle, (downloaded from <https://www.amazon.com/Arkon-Holder-iPhone-Galaxy-Retail/dp/B003XAF4YQ> on Apr. 11, 2017, 9 pages).

Office Action dated Dec. 4, 2014, in U.S. Appl. No. 13/897,062, filed May 17, 2013.

Response to Office Action dated May 5, 2015, in U.S. Appl. No. 13/897,062, filed May 17, 2013.

Notice of Allowance dated Jun. 8, 2015, in U.S. Appl. No. 13/897,062, filed May 17, 2013.

Preliminary Amendment filed Sep. 16, 2015, in U.S. Appl. No. 14/736,090, filed Jun. 10, 2015.

Decision to Grant dated Jul. 5, 2016, in Russian Application No. 2015137589.

Exam Report, search report dated Apr. 22, 2016, in European Application No. 1477982383.

Office Action dated Apr. 14, 2016, in Korean Application No. 10-2015-7035564.

Office Action dated Jul. 14, 2016, in Korean Application No. 10-2015-7035564.

Notice of Allowance dated Aug. 23, 2016, in Korean Application No. 10-2015-7035564.

Web posting, entitled "[Arkon Air Vent Smartphone Car Mount] Review of SM429-SBH Air Vent Universal Smartphone Car Mount" (Publication Date: Nov. 21, 2010, <http://cafe.naver.com/bjphone/1391925>).

Web posting entitled, "Car Mount for Samsung Galaxy S4 Smartphone [Air Vent Smartphone Car Mount]" (Publication Date: Apr. 29, 2013, <http://blog.naver.com/eeleet/130167208063>).

The International Search Report and The Written Opinion dated Oct. 10, 2014, in PCT patent application No. PCT/US2014/038253, 12 pages.

Office Action dated Sep. 22, 2016, in U.S. Appl. No. 14/736,090, filed Jun. 10, 2015.

Amendment filed Oct. 11, 2016, in European Application No. 147798238.3.

Response to Office Action filed Oct. 21, 2016, in U.S. Appl. No. 14/736,090, filed Jun. 10, 2015.

Office Action dated Nov. 17, 2016, in U.S. Appl. No. 14/736,090, filed Jun. 10, 2015.

Amendment filed Dec. 8, 2016, in Mexican Application No. MX/a/2015/015365.

Amendment filed Dec. 20, 2016, in Mexican Application No. MX/a/2015/015365.

Office Action dated Nov. 9, 2016, in Mexican Application No. MX/a/2015/015365.

Response to Office Action filed Jan. 17, 2017, in U.S. Appl. No. 14/736,090, filed Jun. 10, 2015.

Advisory Action dated Feb. 2, 2017, in U.S. Appl. No. 14/736,090, filed Jun. 10, 2015.

* cited by examiner

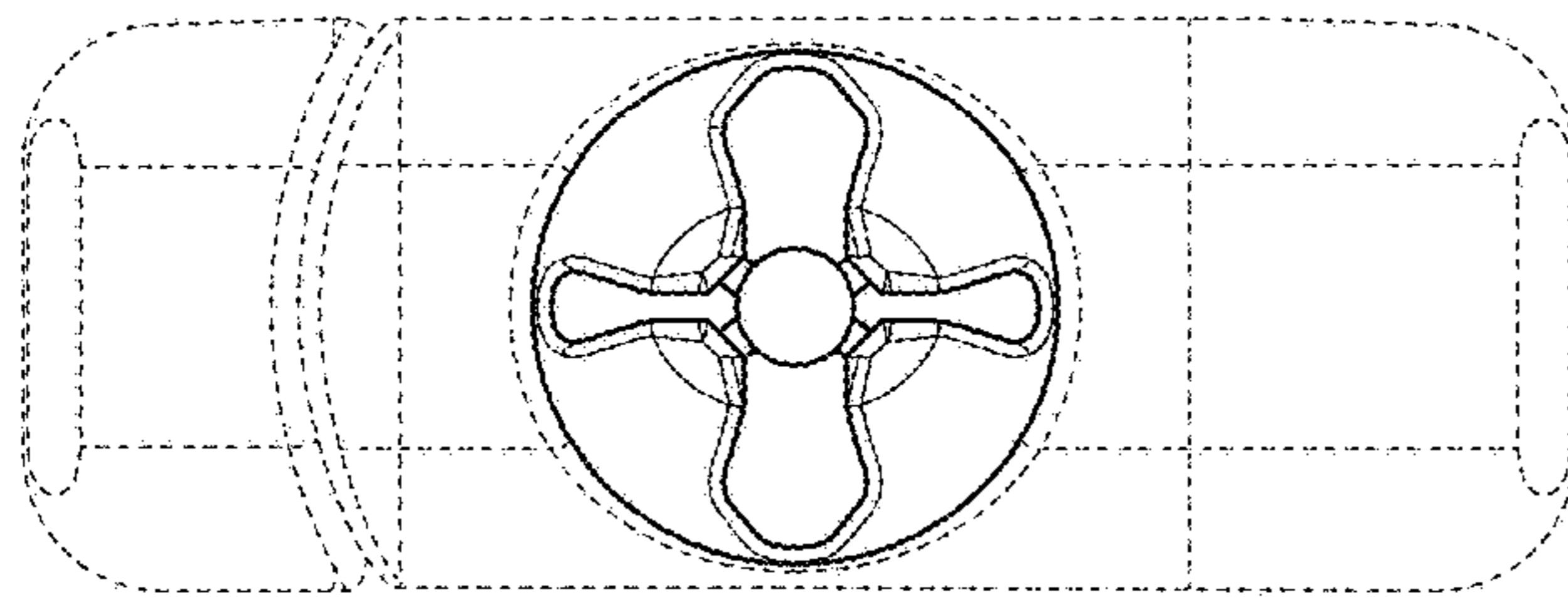


FIG. 1

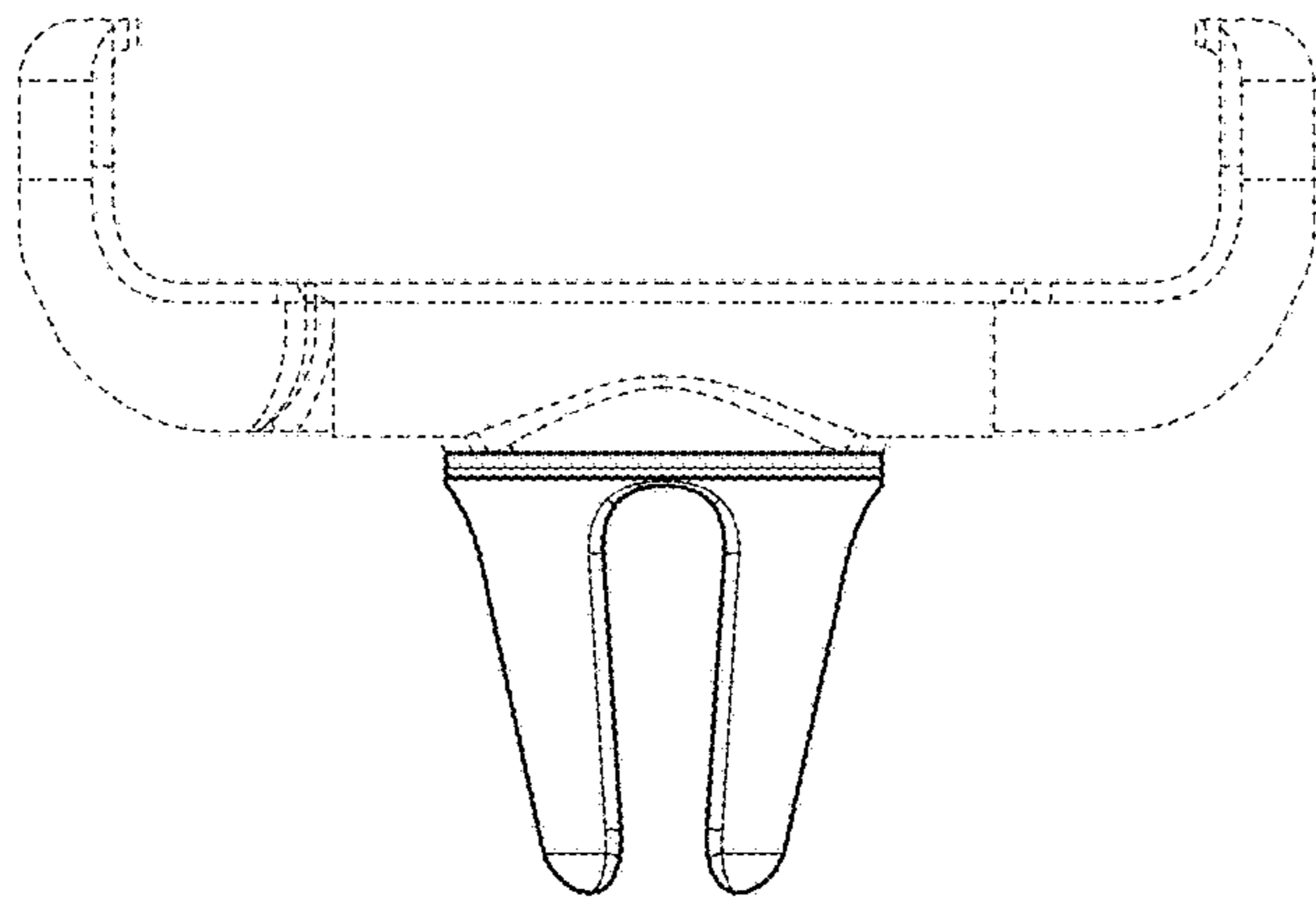


FIG. 2

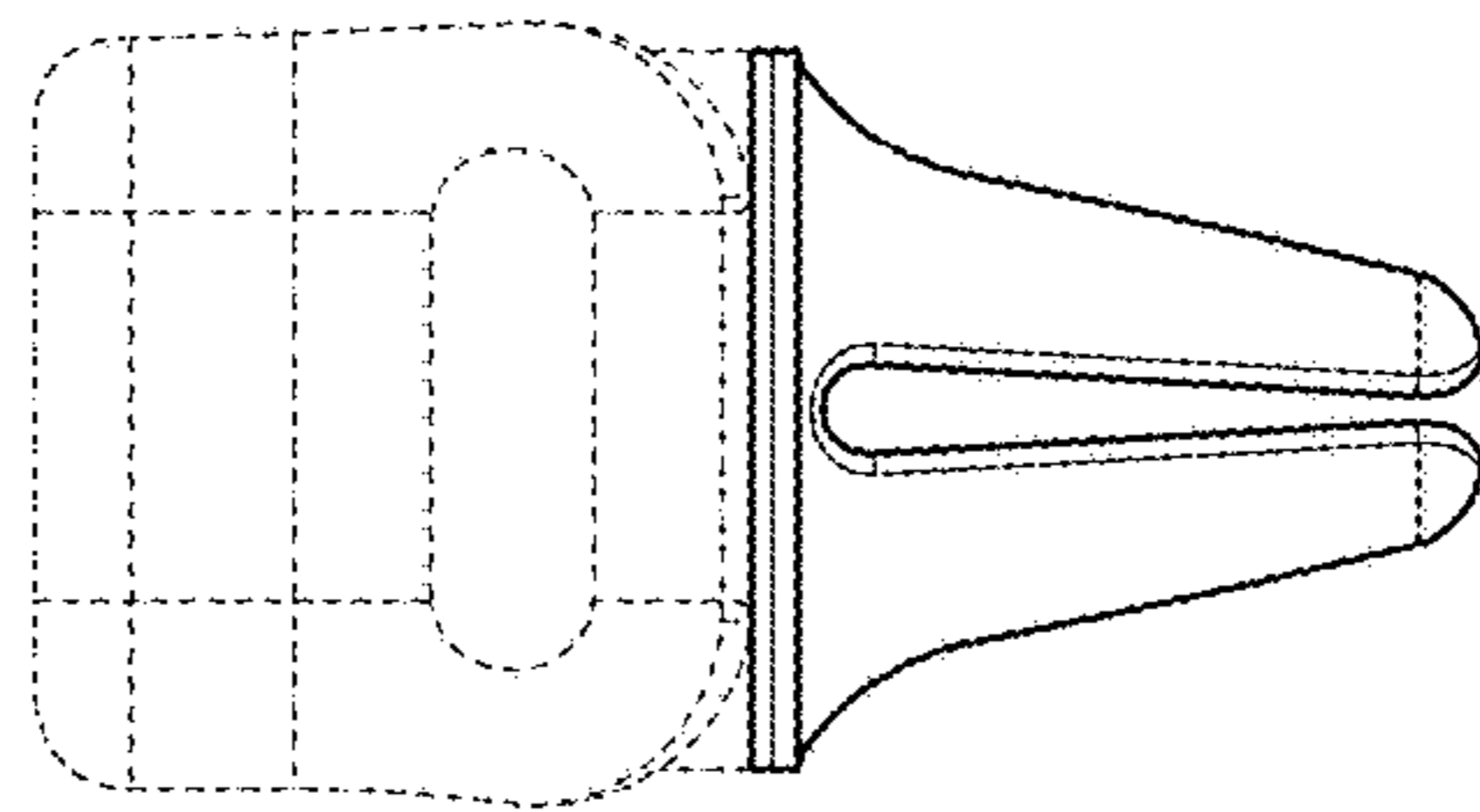


FIG. 3

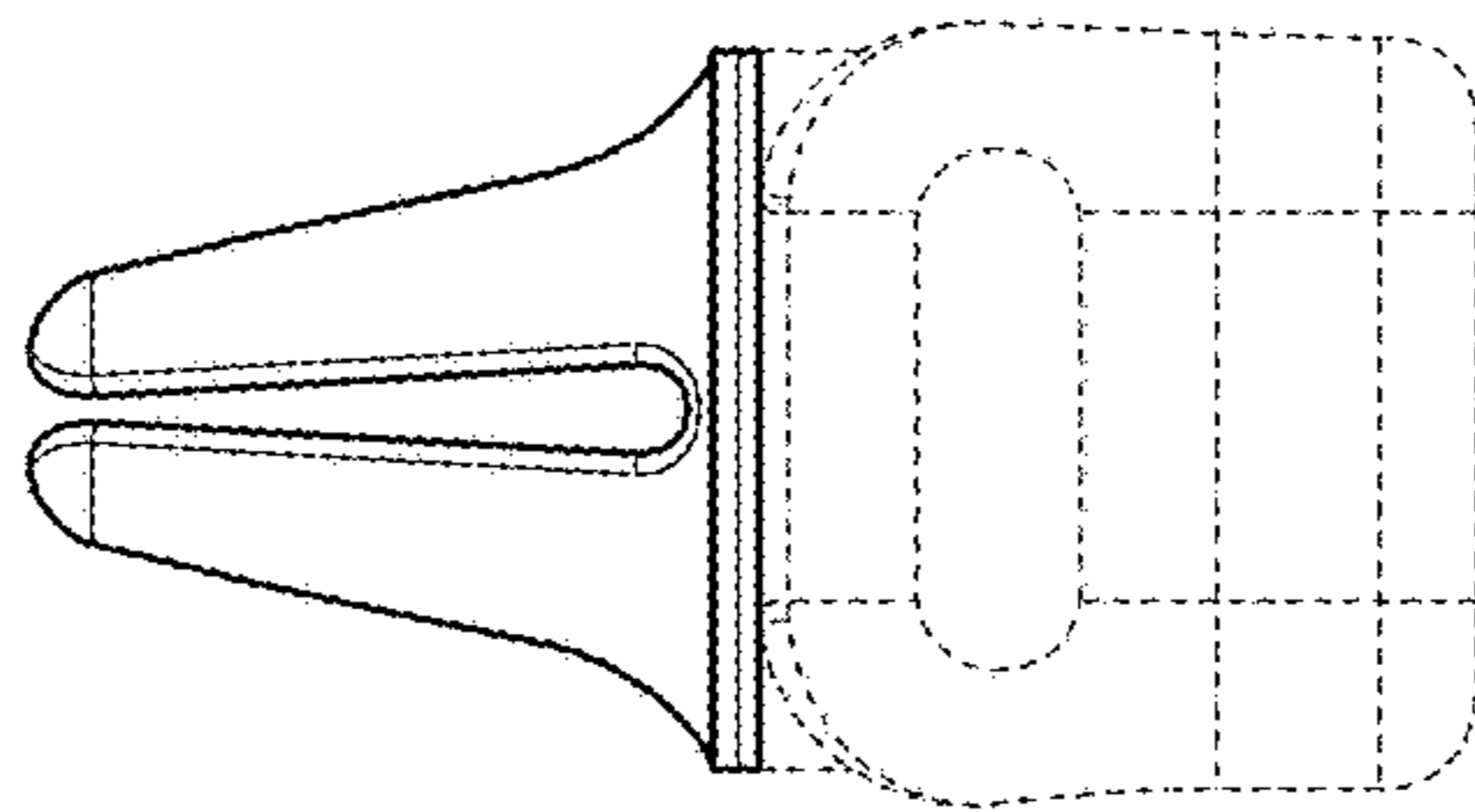


FIG. 4

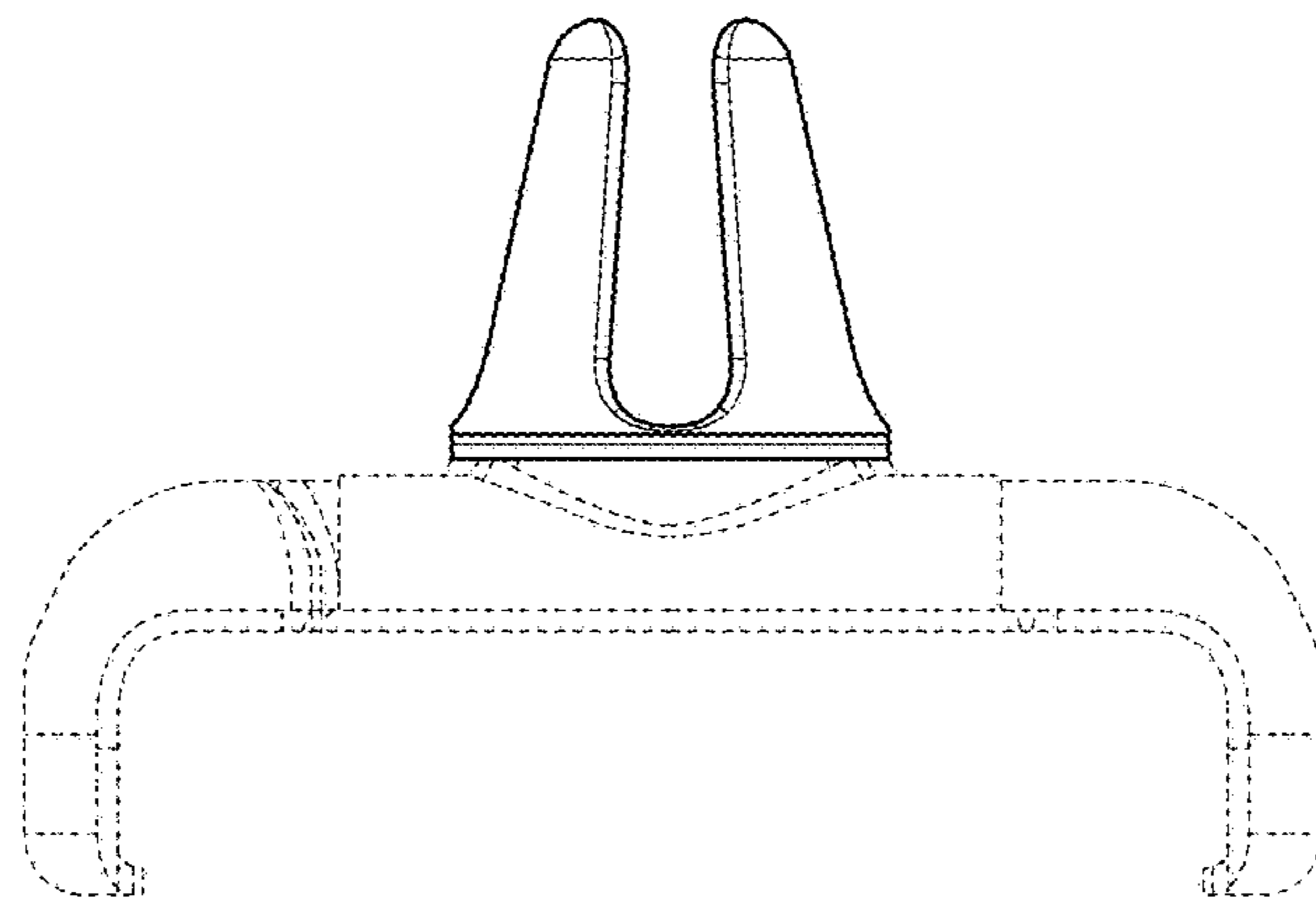


FIG. 5

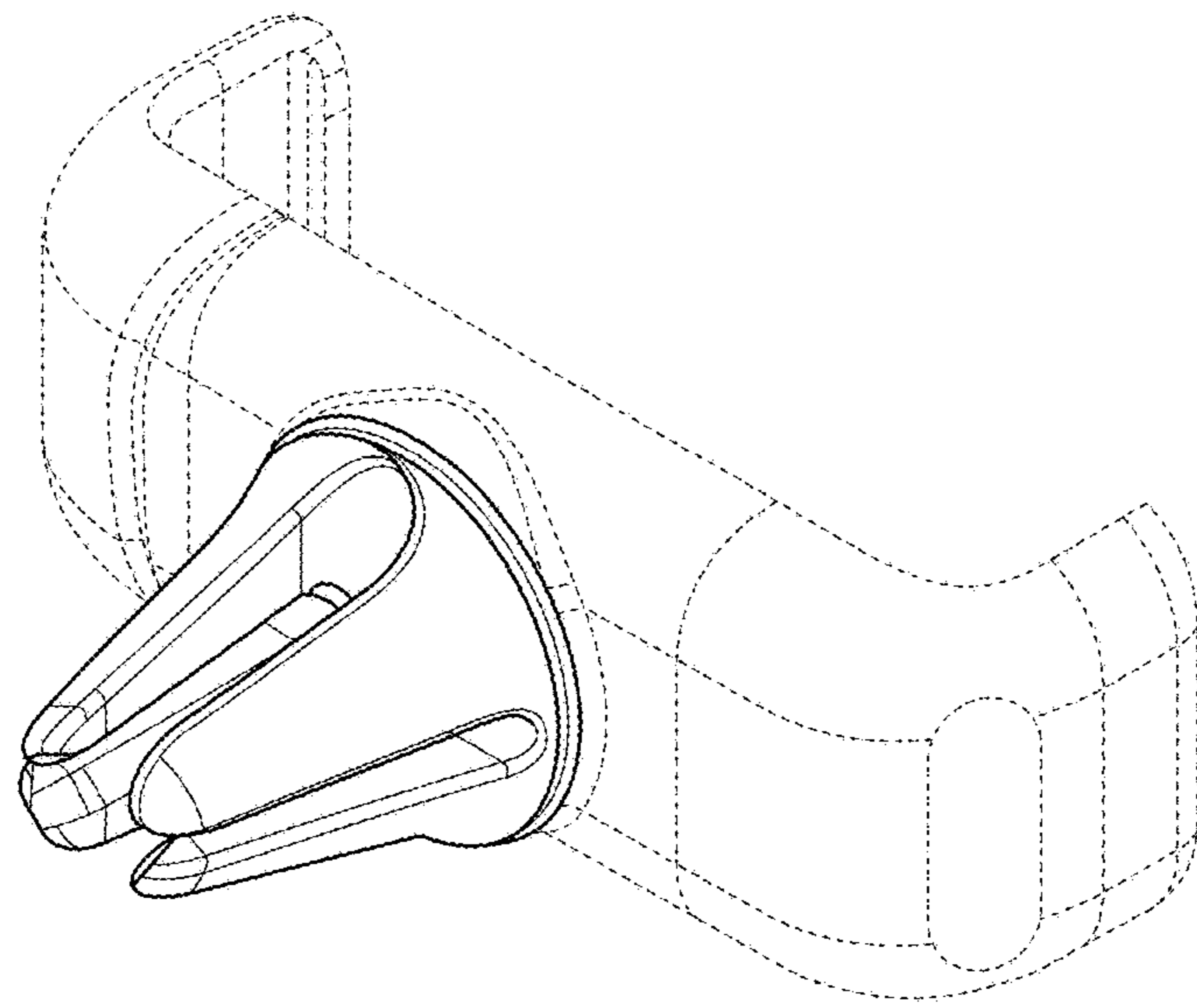


FIG. 6