



US00D851646S

(12) **United States Design Patent**
Huebner

(10) **Patent No.:** **US D851,646 S**
(45) **Date of Patent:** **** Jun. 18, 2019**

(54) **PORTABLE ELECTRONIC COMPUTER FOR COORDINATE INPUT DEVICE**

(71) Applicant: **Wacom Co., Ltd.**, Kazo-shi, Saitama (JP)

(72) Inventor: **Volker Huebner**, Erkrath (DE)

(73) Assignee: **WACOM CO., LTD.**, Kazo-shi (JP)

(**) Term: **15 Years**

(21) Appl. No.: **29/632,292**

(22) Filed: **Jan. 5, 2018**

(30) **Foreign Application Priority Data**

Jul. 7, 2017 (JP) 2017-014735

(51) **LOC (11) Cl.** **14-02**

(52) **U.S. Cl.**
USPC **D14/434**; D14/357; D14/356

(58) **Field of Classification Search**
USPC D14/434, 440, 447, 251–253, 432, 433, D14/451, 452, 454, 140, 142, 149, 211, D14/215, 216, 217, 240, 299, 496, 356, D14/357, 358, 204, 207, 209.1, 171, 315, D14/321, 331, 348, 355, 300, 436; D13/103, 107, 108, 118, 119, 184
CPC G06F 1/16; G06F 1/1632; G06F 1/1616; G06F 1/1626; G06F 1/1658; G06F 1/1688; H01M 10/44; F16M 11/10; F16M 11/20; H05K 7/1465
See application file for complete search history.

(56) **References Cited**

U.S. PATENT DOCUMENTS

3,705,956 A * 12/1972 Dertouzos G06F 3/046
178/18.03
D331,573 S * 12/1992 Iino D14/434
D336,287 S * 6/1993 Mizusugi D14/434

D342,487 S * 12/1993 Iino D14/434
D356,782 S * 3/1995 Leman D14/434
D361,758 S * 8/1995 Youens D14/434
D362,241 S * 9/1995 Youens D14/434
D365,105 S * 12/1995 Aubuchon D14/240
D366,034 S * 1/1996 Youens D14/434
D366,468 S * 1/1996 Ryan D14/434

(Continued)

OTHER PUBLICATIONS

Function expansion units and docking stations. [online PDF] 19 pgs. Print Dates range Jan. 11, 1993-Jul. 6, 2018 [Retrieved on Oct. 23, 2018] <https://sobjprd.questel.fr/export/QPTUJ214/pdf2/a417ba68-ace0-4eaf-9fa1-112b9eb88649-234125.pdf>.*

(Continued)

Primary Examiner — Marie D. Fast Horse

(74) *Attorney, Agent, or Firm* — Christensen O'Connor Johnson Kindness PLLC

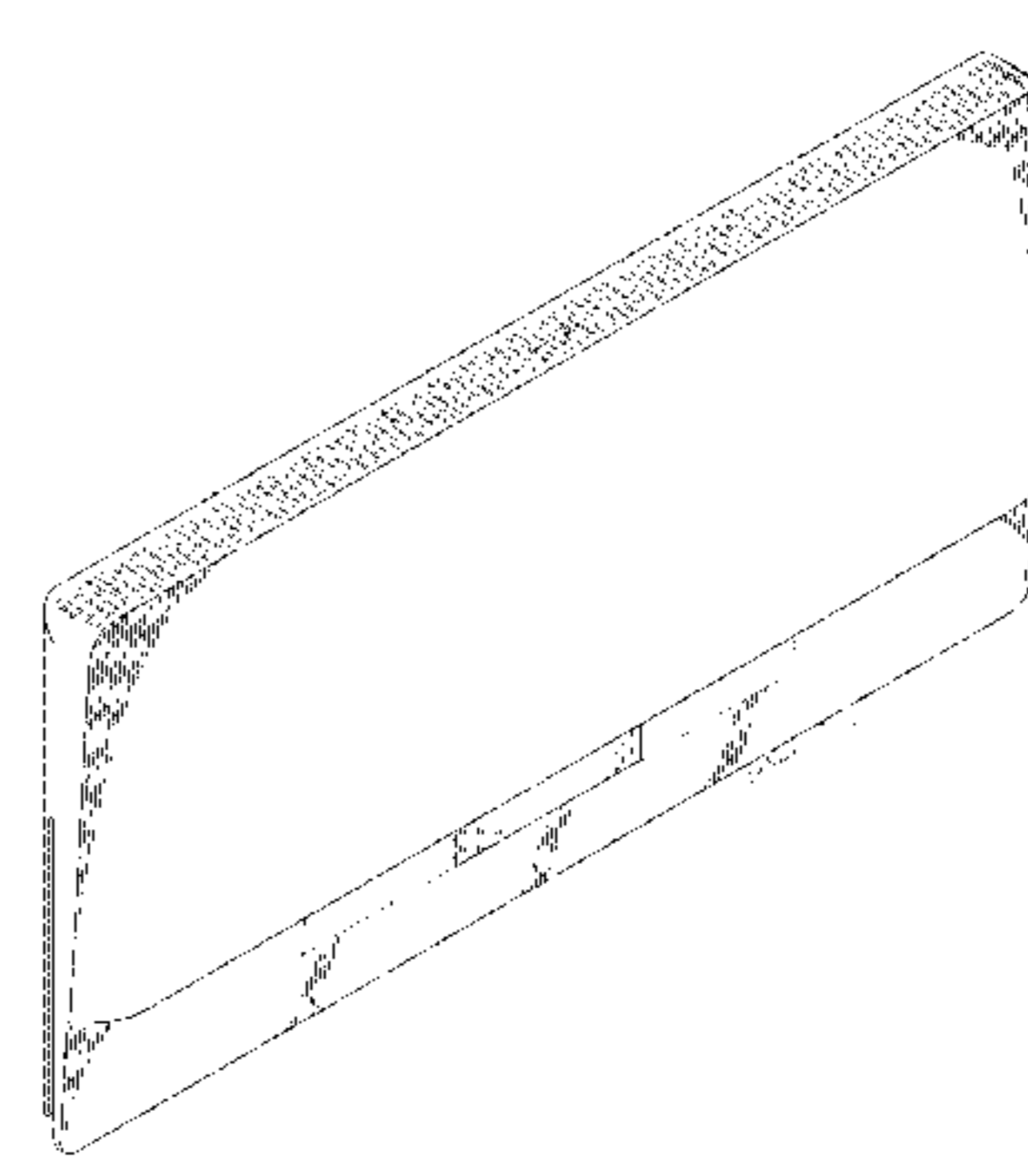
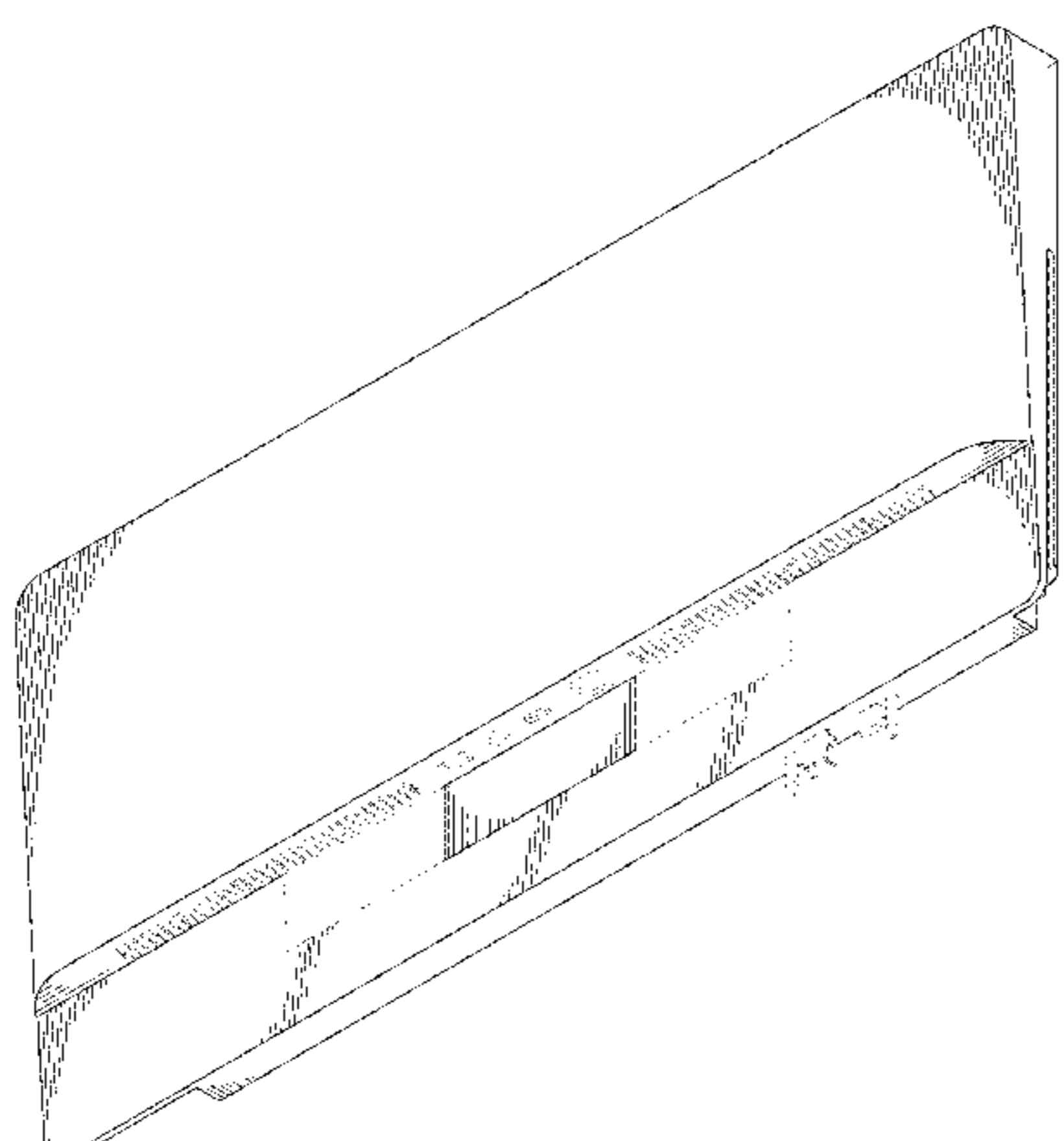
(57) **CLAIM**

The ornamental design for a portable electronic computer for coordinate input device, as shown and described.

DESCRIPTION

FIG. 1 is a top-front perspective view of a portable electronic computer for coordinate input device according to my new design;
FIG. 2 is a top-rear perspective view thereof;
FIG. 3 is a bottom-front perspective view thereof;
FIG. 4 is a top plan view thereof;
FIG. 5 is a bottom plan view thereof;
FIG. 6 is a front elevational view thereof;
FIG. 7 is a rear elevational view thereof;
FIG. 8 is a left side elevational view thereof; and,
FIG. 9 is a right side elevational view thereof.
The dashed broken lines in the drawings show portions of the portable electronic computer for coordinate input device that form no part of the claimed design.

1 Claim, 7 Drawing Sheets



(56)

References Cited

U.S. PATENT DOCUMENTS

D366,469 S * 1/1996 Youens D14/434
 D372,901 S * 8/1996 Chu D14/434
 D375,486 S * 11/1996 Shinano D14/357
 D375,945 S * 11/1996 Shin D14/434
 D391,931 S * 3/1998 Iino D14/434
 D394,645 S * 5/1998 Inoue D14/434
 D395,871 S * 7/1998 Iino D14/434
 D412,702 S * 8/1999 Goto D13/108
 D413,108 S * 8/1999 Suzuki D14/434
 D413,312 S * 8/1999 Suzuki D14/434
 D415,741 S * 10/1999 Lee D14/434
 D416,547 S * 11/1999 Lee D14/434
 D416,548 S * 11/1999 Sugano D14/434
 D420,651 S * 2/2000 Lee D14/434
 D432,540 S * 10/2000 Laity D14/436
 D450,707 S * 11/2001 Francavilla D14/434
 D504,893 S * 5/2005 Araki D14/434
 7,283,357 B2 * 10/2007 Kim E05B 73/0082
 248/552
 D554,582 S * 11/2007 Iseki D13/108
 D561,186 S * 2/2008 Kawase D14/434
 D574,436 S * 8/2008 Mandel D19/92
 D580,856 S * 11/2008 Haspil D13/108
 D641,024 S * 7/2011 Zenri D14/447
 D642,121 S * 7/2011 Lee D13/108
 D673,571 S * 1/2013 Akana D14/447
 D682,780 S * 5/2013 Brown D13/108
 D701,213 S * 3/2014 Pajic D14/447
 D704,633 S * 5/2014 Ryu D13/108
 D711,885 S * 8/2014 Ohshima D14/434
 D723,572 S * 3/2015 Akana D14/447
 D724,582 S * 3/2015 Kim D14/341
 D727,309 S * 4/2015 Senatori D14/315
 D730,905 S * 6/2015 Li D14/434

D732,036 S * 6/2015 Lee D14/434
 D746,293 S * 12/2015 Park D14/455
 D747,322 S * 1/2016 Li D14/447
 D749,588 S 2/2016 Cox
 D750,083 S * 2/2016 Chow D14/434
 D762,648 S * 8/2016 Akana D14/434
 D762,649 S * 8/2016 Akana D14/434
 D776,119 S * 1/2017 Plante G06F 1/1632
 D14/434
 D781,841 S * 3/2017 Salathe D14/253
 D784,343 S 4/2017 Chen et al.
 D784,351 S * 4/2017 Akana D14/447
 D788,778 S 6/2017 Magi et al.
 9,778,695 B1 * 10/2017 Shibayama G06F 1/1632
 D801,976 S * 11/2017 Li D14/440
 D803,220 S * 11/2017 Li D14/440
 D807,884 S * 1/2018 Blanchette D14/389
 D808,972 S * 1/2018 Magi D14/436
 D810,750 S * 2/2018 Chang D14/434
 D815,099 S * 4/2018 Magi D14/436
 D818,036 S * 5/2018 Ozawa D14/447
 D820,254 S * 6/2018 Wall D14/341
 D820,842 S * 6/2018 Rosenberg D14/389
 D824,381 S * 7/2018 Collins D14/315
 D824,897 S * 8/2018 Collins D14/315
 2003/0202323 A1 * 10/2003 Maeda E05B 73/0082
 361/679.41

OTHER PUBLICATIONS

The New Wacom Cintiq Pro 24 and Cintiq Pro 32—Product Trailer.
 youtube.com. By: Wacom. [online video] 1 pg:0:49/1:19. Uploaded
 Feb. 26, 2018 [retrieved on Oct. 23, 2018]. https://www.youtube.com/watch?time_continue=6&v=ahpUb_RzGJA.*

* cited by examiner

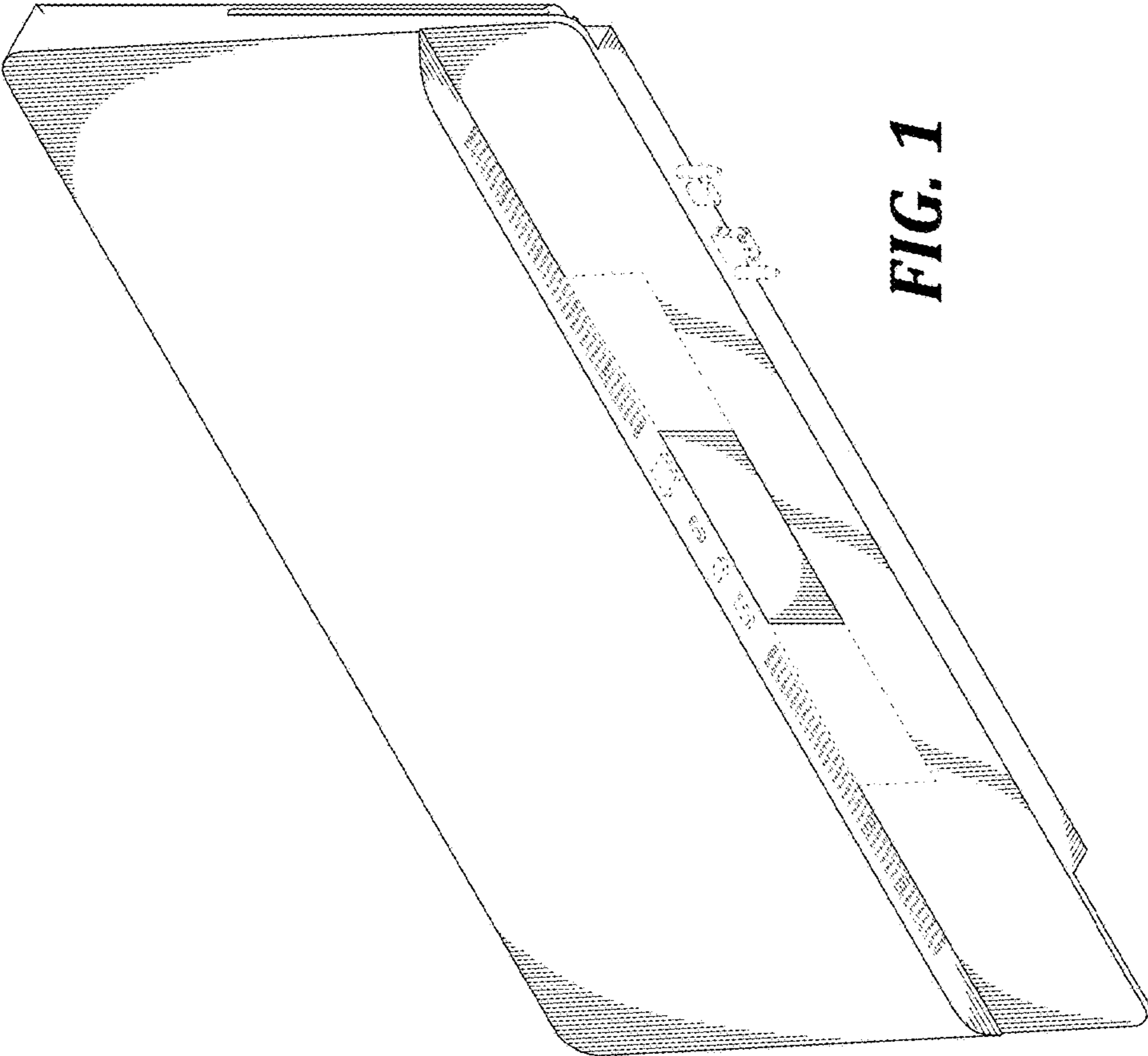


FIG. 1

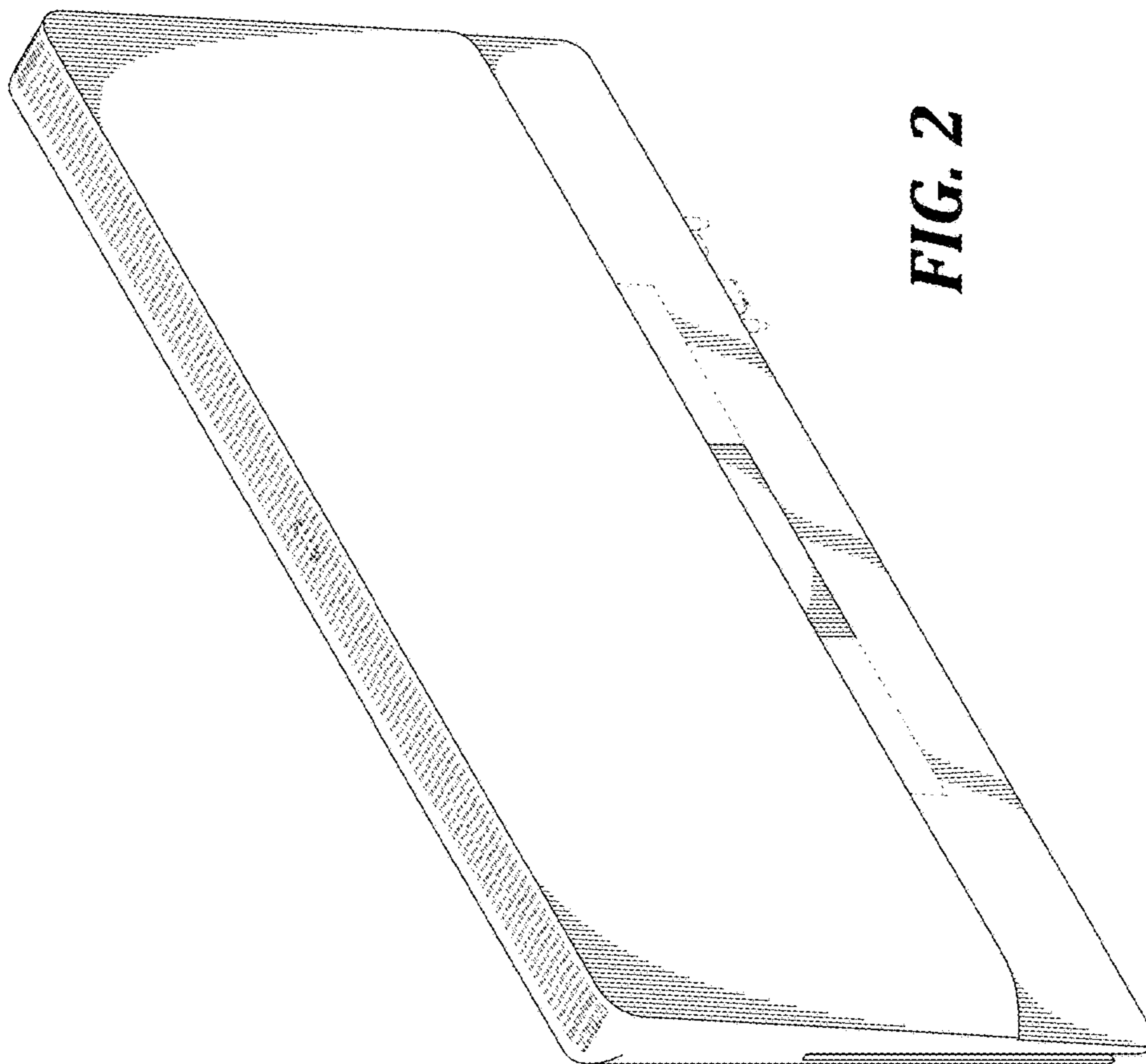


FIG. 2

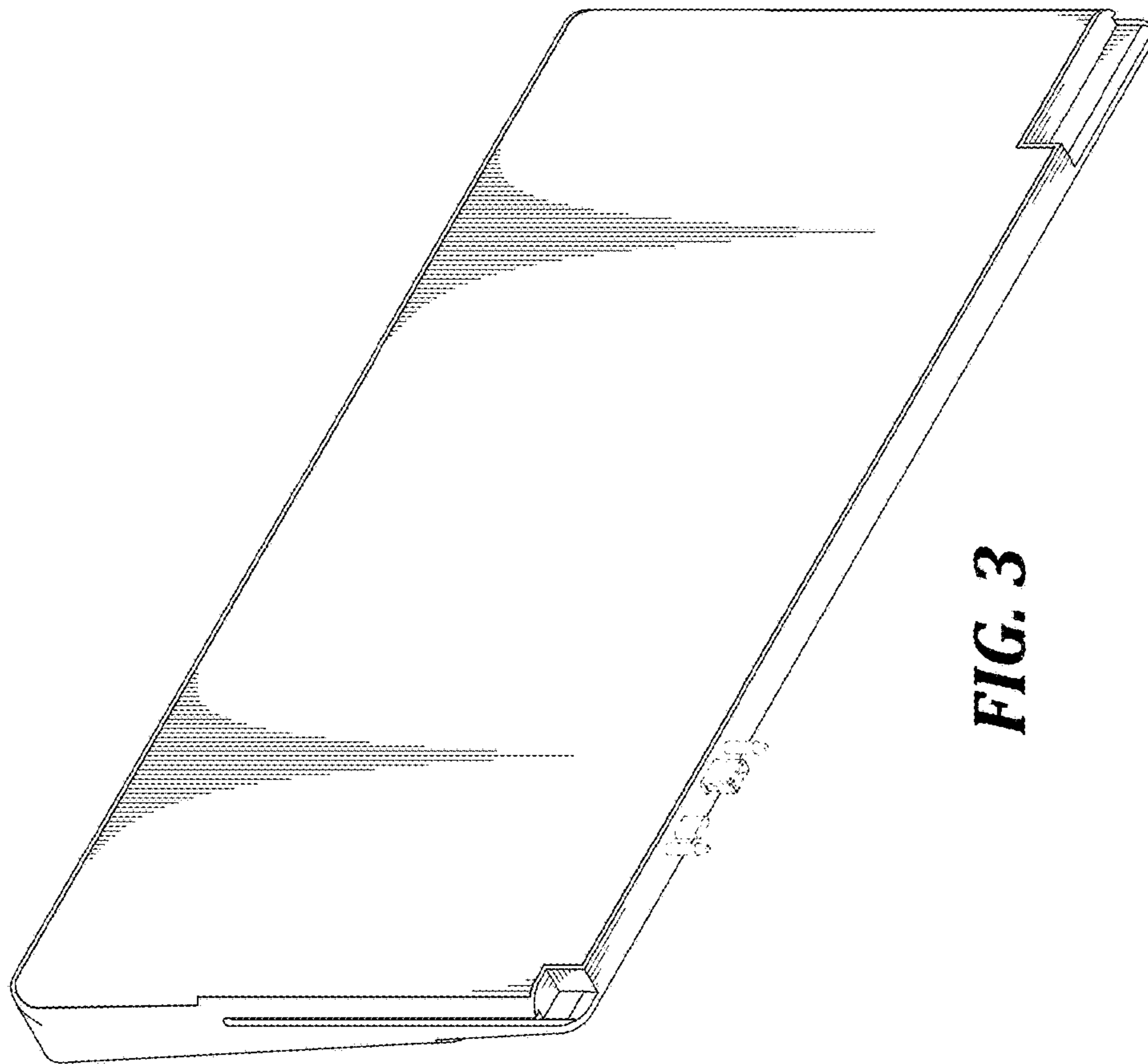


FIG. 3

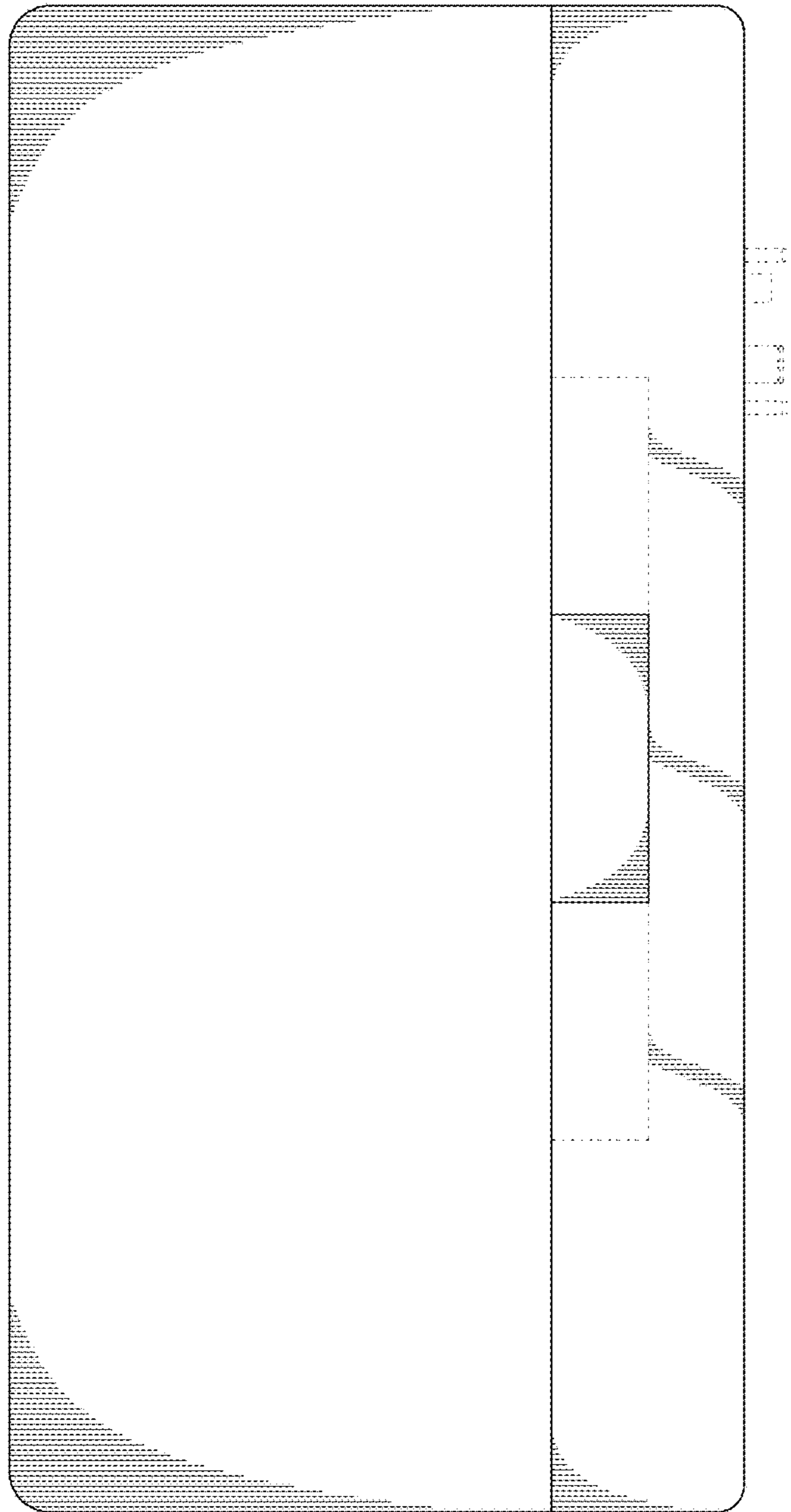


FIG. 4

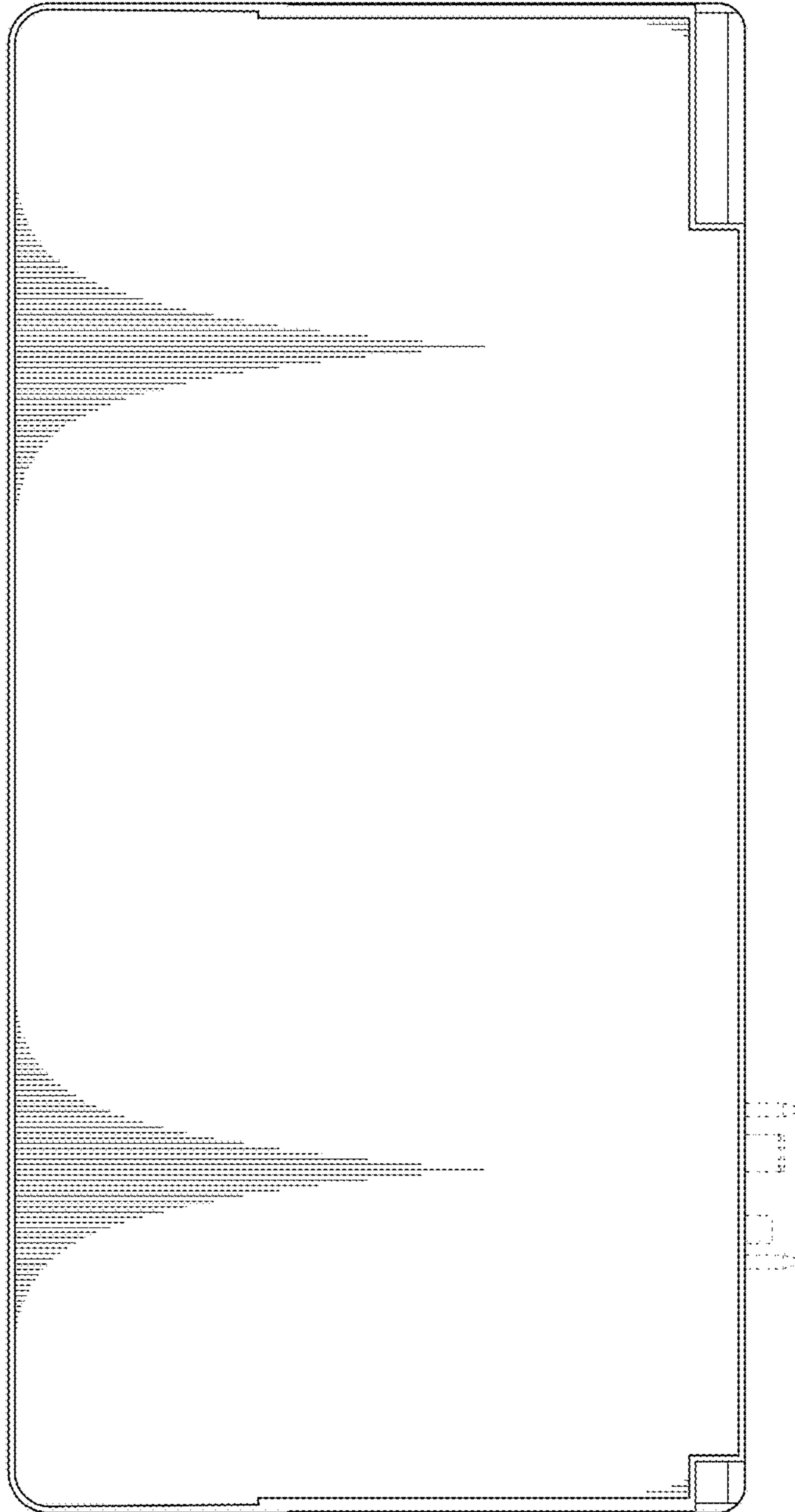


FIG. 5

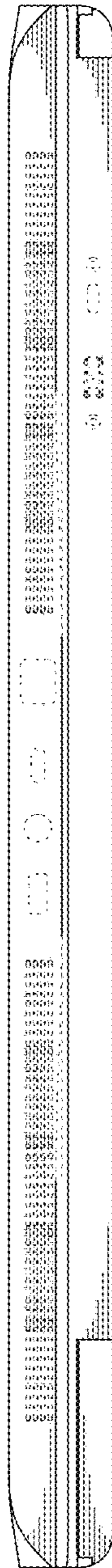


FIG. 6

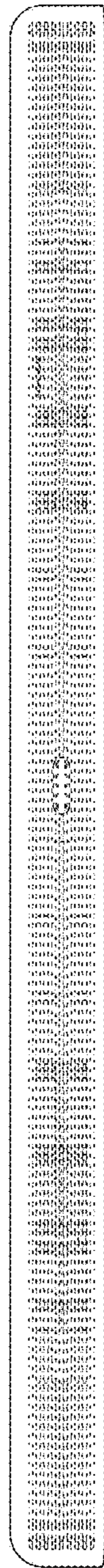


FIG. 7



FIG. 9

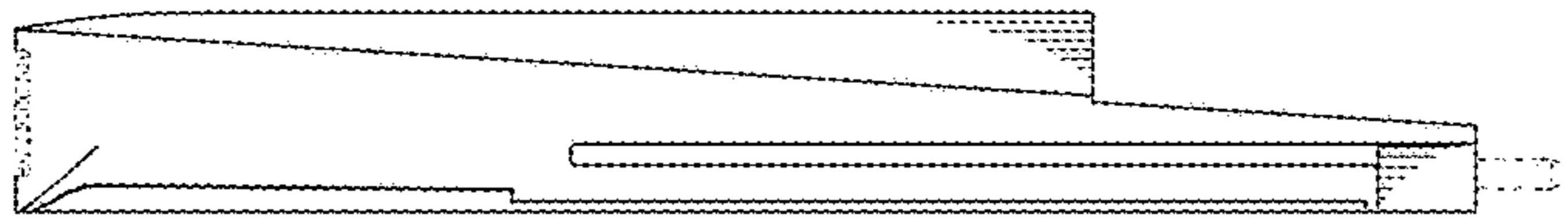


FIG. 8