

US00D851644S

(12) **United States Design Patent**
Memke et al.

(10) **Patent No.:** **US D851,644 S**
(45) **Date of Patent:** **** Jun. 18, 2019**

(54) **OPTICAL SCANNER**

(71) Applicant: **Hand Held Products, Inc.**, Fort Mill, SC (US)

(72) Inventors: **David K. Memke**, Bainbridge Island, WA (US); **John S. Bandringa**, Everett, WA (US); **Roger Jackson**, Lake Forest Park, WA (US); **Tim Zurmoehle**, Seattle, WA (US); **William Herweh, III**, Seattle, WA (US); **Churu Yun**, Seattle, WA (US); **Matthew McElvogue**, Seattle, WA (US); **Rajat Shail**, Chicago, IL (US)

(73) Assignee: **HAND HELD PRODUCTS, INC.**, Fort Mills, SC (US)

(**) Term: **15 Years**

(21) Appl. No.: **29/670,956**

(22) Filed: **Nov. 21, 2018**

Related U.S. Application Data

(63) Continuation of application No. 29/572,896, filed on Aug. 1, 2016, now Pat. No. Des. 837,215.

(51) **LOC (11) Cl.** **14-02**

(52) **U.S. Cl.**
USPC **D14/428**

(58) **Field of Classification Search**

USPC D14/420, 426-430, 453, 346, 341, 347, D14/412, 138; D13/107, 184; 358/473; 235/462.43, 462.45, 462.47, 462.48, 235/462.44, 462.46, 487, 472.01, 472.02, 235/145 A, 145 R, 462.21, 462.42, 235/462.01, 462.35; D10/78, 70; 324/426; D3/273; 710/73; D18/7; 361/679, 728, 679.56; 382/313, 312, 276, 382/285-295, 314-325; 455/575.1, 561, 455/572; 345/156, 168, 169, 172, 173, 345/87; 705/17, 18, 22-25; D26/45-51; D24/185, 186; D8/68, 315, 80, 105, 107, D8/300-303, 307, 321, 29.1, 29.2, 61, 70,

D8/75-77, 81; 348/47, 49, E13.074; 702/85, 94, 95, 127, 150-168, 189; 356/601-613, 625-640; D28/13-18; 34/97, 99; D32/8, 13; 392/384, 385
CPC G06F 1/626; G06F 1/1626; G06F 1/1656; G06F 1/1632; G06F 1/1684; G06F 1/1635; G06F 8/63; G06F 17/30091; G06F 9/4401; G06K 7/10881; G06K 7/1098; G06K 7/10722; G06K 7/1404; G06K 7/0004; G06K 7/10633; G06K 7/10693; G06K 7/10544; G06K 7/10732; G06K 7/14; G06K 7/1413; G06K 7/10831; G06K 7/10851; G06K 7/1091; G06K 7/1092; G06K 7/1093; G06K 7/10; G06K 7/109; G06K 7/1417; G06K 9/228; G06K 17/0022; G06K 17/00; G06K 2207/1011; G06K 2207/1013; G06K 2207/1016; G06K 2207/1018; G06K 2017/0051; G06K 2017/0067; G06K 2007/10524; G06K 19/06018; G06K 19/06028; G06K 19/06037; G07G 1/0081; G07G 1/009; G06Q 20/20; G06Q 20/201; G06Q 20/202; G06Q 20/203; G06Q 20/30; G06Q 20/32; G06Q 20/322; G06Q 20/4014; G06Q 10/087; H04N 1/00127; H04N 1/00135; H04N 1/00326; H04N 1/00334; H04N 1/00307; H04N 1/107; H04N 2201/0084; H04N 2101/00; H04M 1/0249; H04M 1/0262; H04M 1/0266; H04M 1/18; H04M 1/23; H04M 1/236; H04B 1/3827; H04B 1/3833; H04B 1/3877; H04B 1/3883; H04B 1/3888; H04B 2001/3894; H01M 2/1066; G01B 11/2513; G01C 11/02; G01C 11/025; A45D 20/00; A45D 20/04; A45D 20/08; A45D 20/10; A45D 20/12; A45D 20/24; A45D 20/30; A45D 2020/128

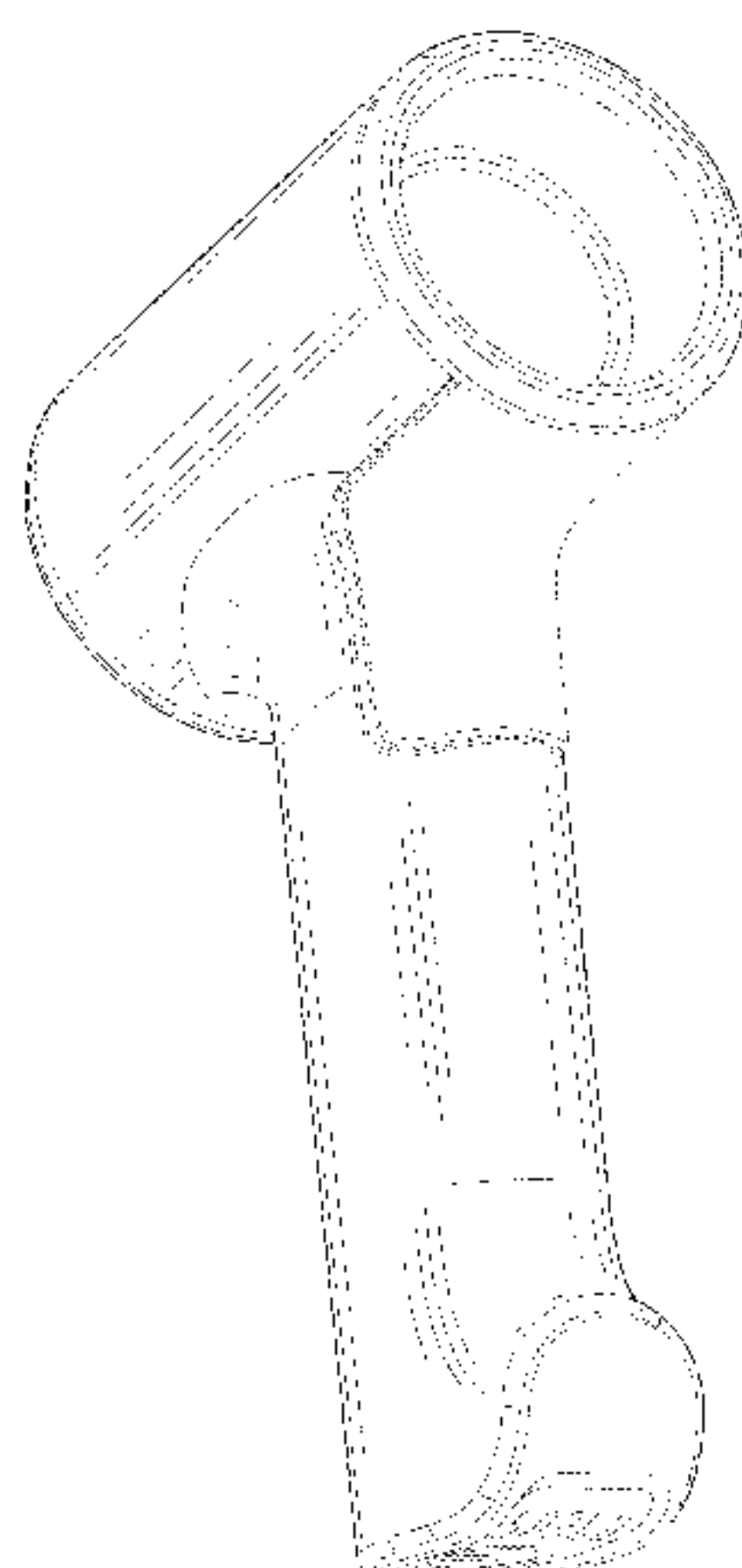
See application file for complete search history.

(56)

References Cited

U.S. PATENT DOCUMENTS

D248,048 S * 5/1978 Cousins D28/13
D251,989 S * 5/1979 Rizzuto D28/13



US D851,644 S

D253,012 S * 9/1979 Rakocy D28/13
D253,253 S * 10/1979 Rakocy D28/13
D257,492 S * 11/1980 Cousins D28/13
D262,060 S * 11/1981 Nagelkerke D28/13
D262,062 S * 11/1981 Nagelkerke D28/13
D263,427 S * 3/1982 McBrien D28/13
D265,136 S * 6/1982 Madl D28/13
D265,767 S * 8/1982 Stewart D28/13
4,418,732 A * 12/1983 Kolonia B25G 1/10
16/436
D273,359 S * 4/1984 Kolonia D8/76
D274,153 S * 6/1984 Nagelkerke D28/13
D278,085 S * 3/1985 Rittenhouse D28/13
D286,209 S * 10/1986 Camens D28/13
D288,726 S * 3/1987 Muller D28/13
D290,174 S * 6/1987 Tsuji D28/13
4,904,847 A * 2/1990 Kosaka A45D 20/12
219/242
D317,154 S * 5/1991 Allgeier D14/428
D341,302 S * 11/1993 Ware D8/29.1
D350,413 S * 9/1994 Feil D28/13
5,590,475 A * 1/1997 Andis A45D 20/12
34/90
D386,815 S * 11/1997 Muller D28/13
D398,073 S * 9/1998 Kip D28/13
D398,717 S * 9/1998 Kling D28/13
D425,662 S * 5/2000 Cheung D28/13
D425,663 S * 5/2000 Greubel D28/13
D426,023 S * 5/2000 Elkerbout D28/16
D429,028 S * 8/2000 Muller D28/13
D432,715 S * 10/2000 Harris D28/13
D436,200 S * 1/2001 Cheong D26/45
D441,112 S * 4/2001 Krieger D26/45
D456,808 S * 5/2002 Fitch D14/426
D491,303 S * 6/2004 Shen D26/45
6,751,886 B2 * 6/2004 Chang A45D 20/122
34/96
D500,155 S * 12/2004 Lee D26/45
6,889,445 B1 * 5/2005 Varona A45D 20/12
34/97
D526,731 S * 8/2006 Cheung D26/45
7,229,189 B2 * 6/2007 Parker F21L 4/04
362/191
D549,863 S * 8/2007 Garrity D26/37
D571,808 S * 6/2008 Dorr D14/429
D584,438 S * 1/2009 Crawford D26/46
D586,037 S * 2/2009 Smith D28/13
D599,182 S * 9/2009 Baxter D8/29.1
D605,796 S * 12/2009 Crawford D26/45
D608,856 S * 1/2010 Dammkoehler D23/223
7,673,804 B1 * 3/2010 Hinson G06K 7/10881
235/462.45
D619,442 S * 7/2010 Chen D8/80
D656,379 S * 3/2012 Islas D8/80
D658,961 S * 5/2012 Islas D8/80
D662,241 S * 6/2012 Tschopp D26/45
D673,706 S * 1/2013 Inskeep D26/45
D673,707 S * 1/2013 Inskeep D26/45
D711,029 S * 8/2014 Schnell D26/45
D714,453 S * 9/2014 Mongin D24/185
D716,126 S * 10/2014 Dahlberg D8/75
D716,492 S * 10/2014 Dyson A45D 20/12
D28/13
D737,489 S * 8/2015 Russell D26/45
D737,651 S * 9/2015 Masalin D8/107
D742,047 S * 10/2015 Lee D26/37
D757,361 S * 5/2016 Gammack D28/13
D759,870 S * 6/2016 Hine D26/45
D760,054 S * 6/2016 Huttunen D8/76
D761,075 S * 7/2016 Masalin D8/107
D761,632 S * 7/2016 Masalin D8/107
D769,098 S * 10/2016 Huttunen D8/76

D788,265 S * 5/2017 Ho D23/226
D788,341 S * 5/2017 Inskeep D26/45
9,687,058 B2 * 6/2017 Atkinson A45D 20/12
D791,407 S * 7/2017 Smith D28/13
D799,295 S * 10/2017 Huttunen D8/76
9,808,066 B2 * 11/2017 Moloney A45D 20/10
D806,211 S * 12/2017 Bahler D23/223
D824,060 S * 7/2018 Kunzendorf D26/45
D824,229 S * 7/2018 Williams D8/29.2
10,019,334 B2 * 7/2018 Caballero G06F 11/0742
2001/0045466 A1 * 11/2001 Bontly G06K 7/10881
235/472.01
2002/0043003 A1 * 4/2002 Cruz A45D 20/12
34/97
2003/0223227 A1 * 12/2003 Levine F21L 4/08
362/183
2006/0133089 A1 * 6/2006 Reid F21L 4/00
362/294
2010/0308116 A1 * 12/2010 Sani A45C 11/00
235/472.01
2013/0283631 A1 * 10/2013 Moloney A45D 20/10
34/97
2015/0102109 A1 * 4/2015 Huck G06K 7/109
235/462.14
2016/0154985 A1 * 6/2016 Auger G07D 7/12
235/462.45
2016/0206077 A1 * 7/2016 Stephens A45D 20/12
2018/0049532 A1 * 2/2018 Hsu F26B 23/06

* cited by examiner

Primary Examiner — Susan Moon Lee
(74) *Attorney, Agent, or Firm* — Additon, Higgins &
Pendleton, P.A.

(57) **CLAIM**

The ornamental design for an optical scanner, as shown in the accompanying drawings and described above.

DESCRIPTION

FIG. 1 is a front, lower left perspective view of an optical scanner in accordance with the present design.
FIG. 2 is a front, upper right perspective view of the optical scanner of FIG. 1.
FIG. 3 is a front elevation view of the optical scanner of FIG. 1.
FIG. 4 is a rear elevation view of the optical scanner of FIG. 1.
FIG. 5 is a right elevation view of the optical scanner of FIG. 1.
FIG. 6 is a left elevation view of the optical scanner of FIG. 1.
FIG. 7 is a top plan view of the optical scanner of FIG. 1; and,
FIG. 8 is a bottom plan view of the optical scanner of FIG. 1.
The broken lines and unshaded portions contained within broken lines depict unclaimed features of the optical scanner that form no part of the claimed design but are shown for purposes of illustration. The dot-dash line depicts the boundary at which unclaimed portions terminate and claimed subject matter begins, and forms no part of the design claim.

1 Claim, 8 Drawing Sheets

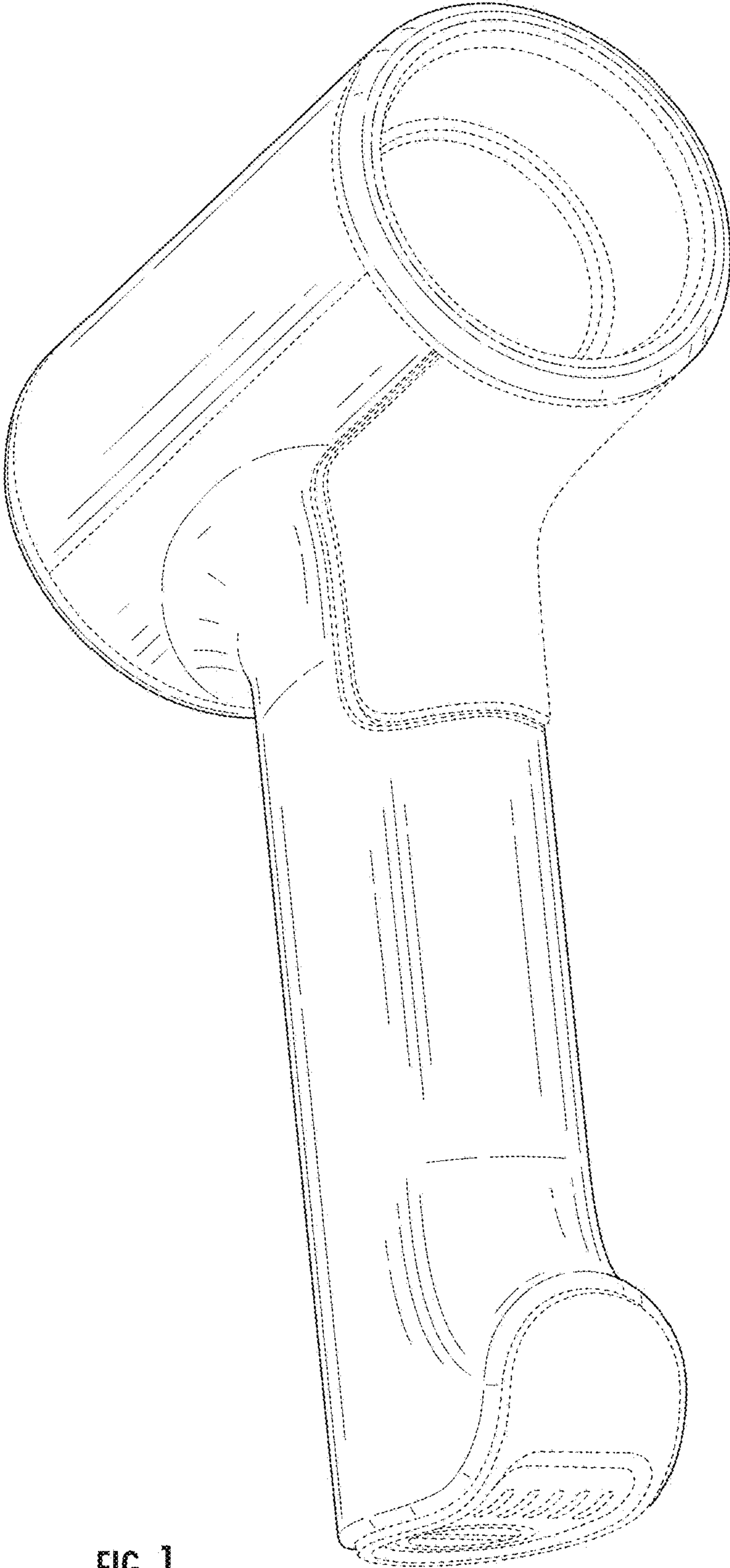


FIG. 1

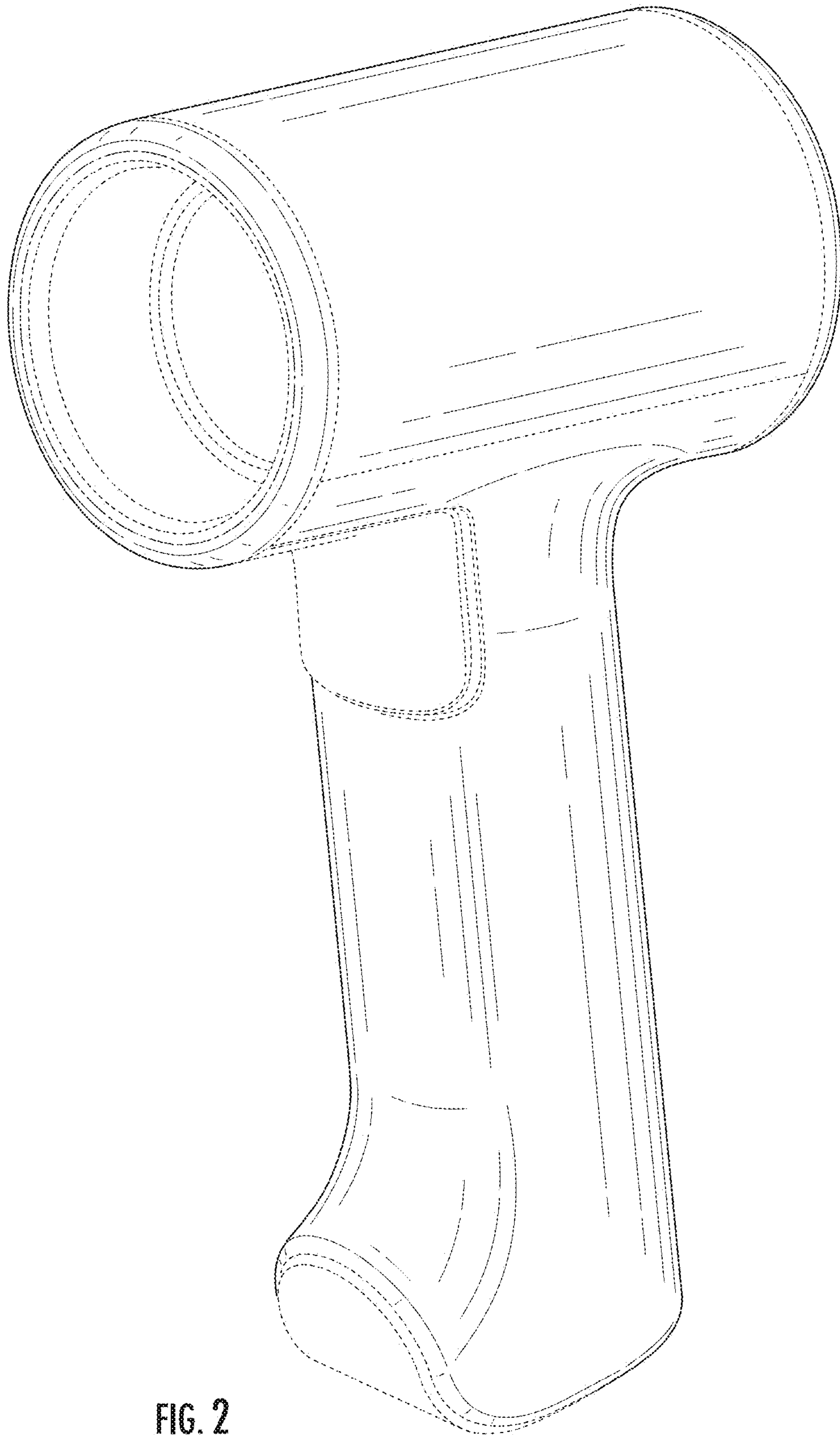


FIG. 2

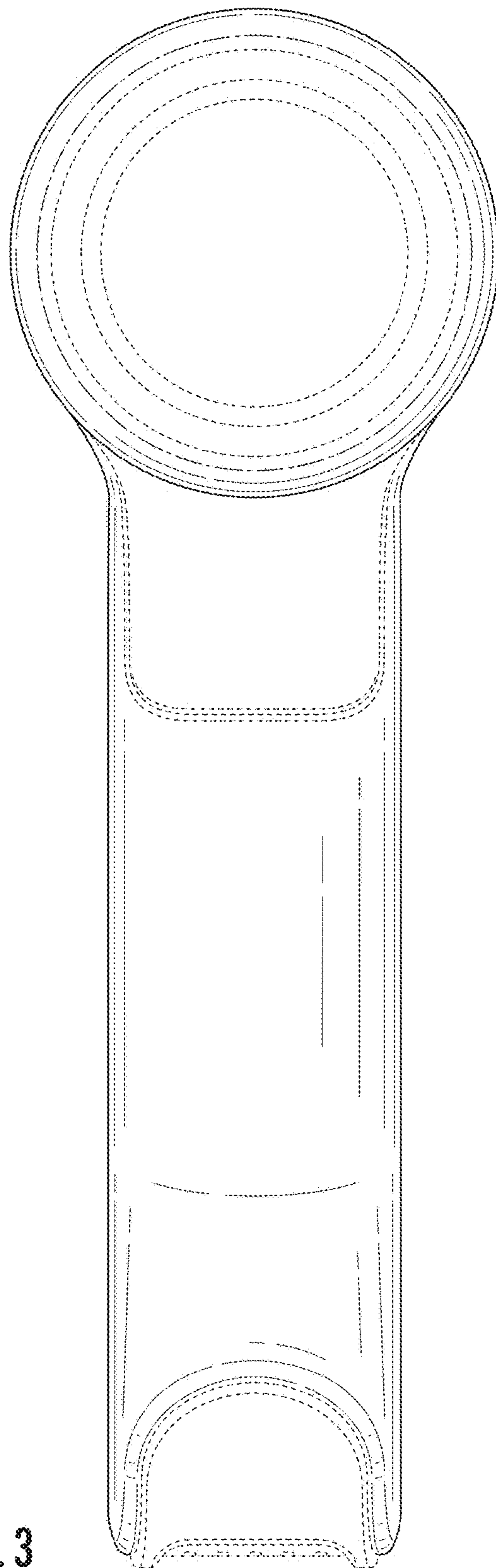


FIG. 3

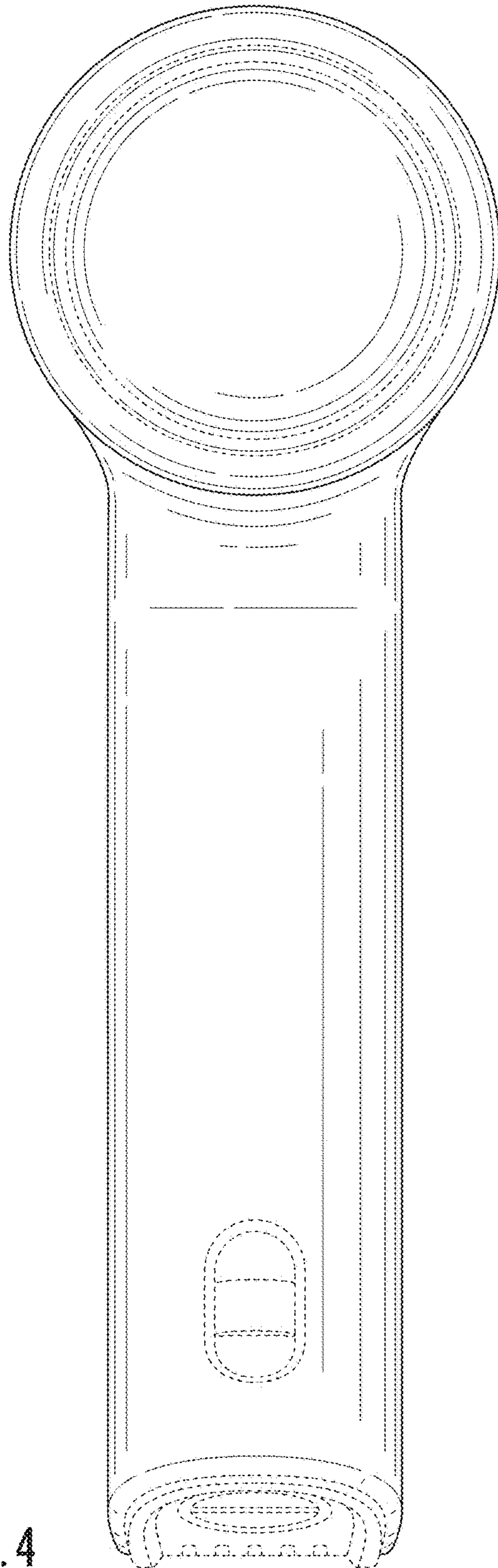


FIG. 4

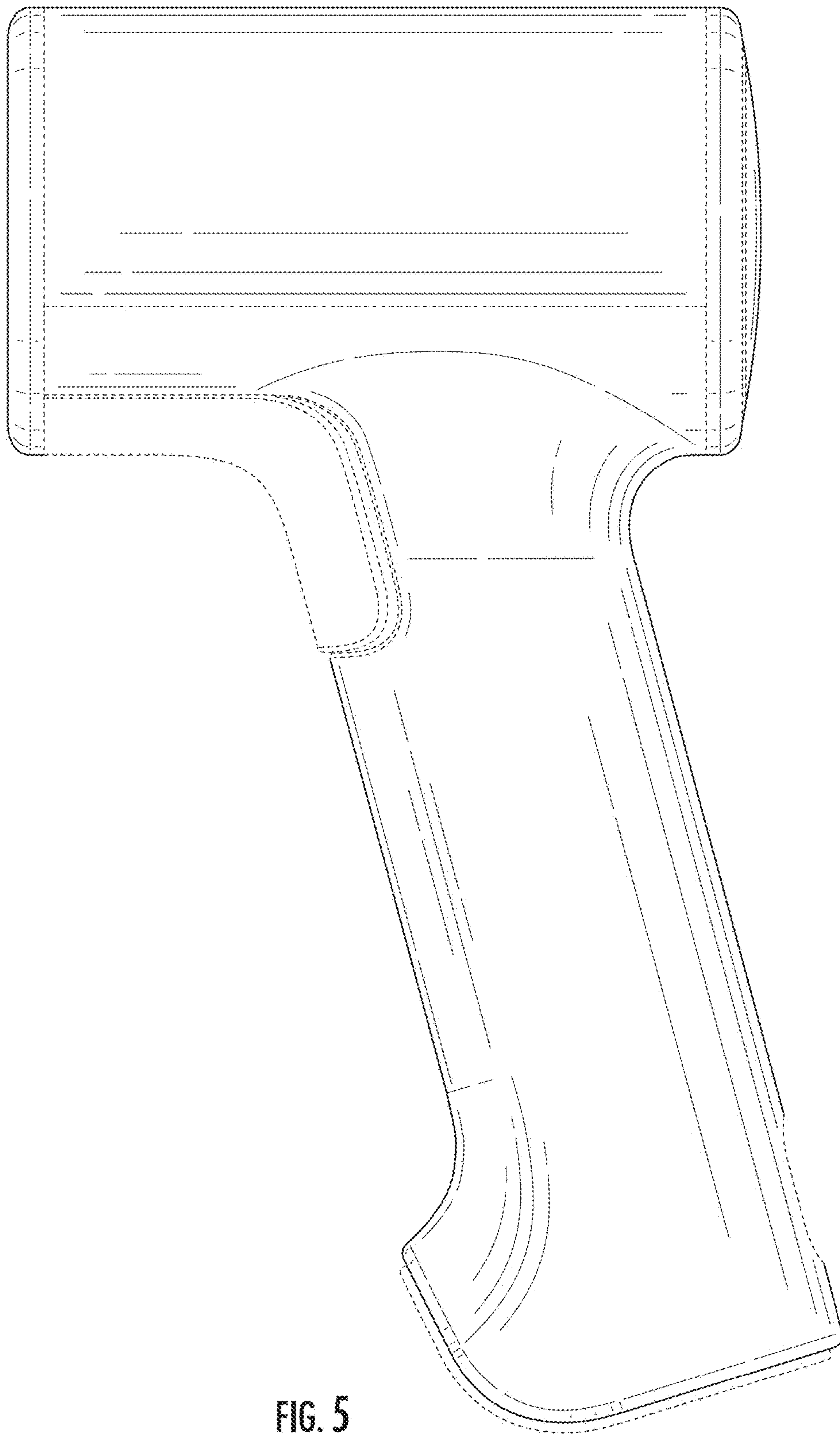


FIG. 5

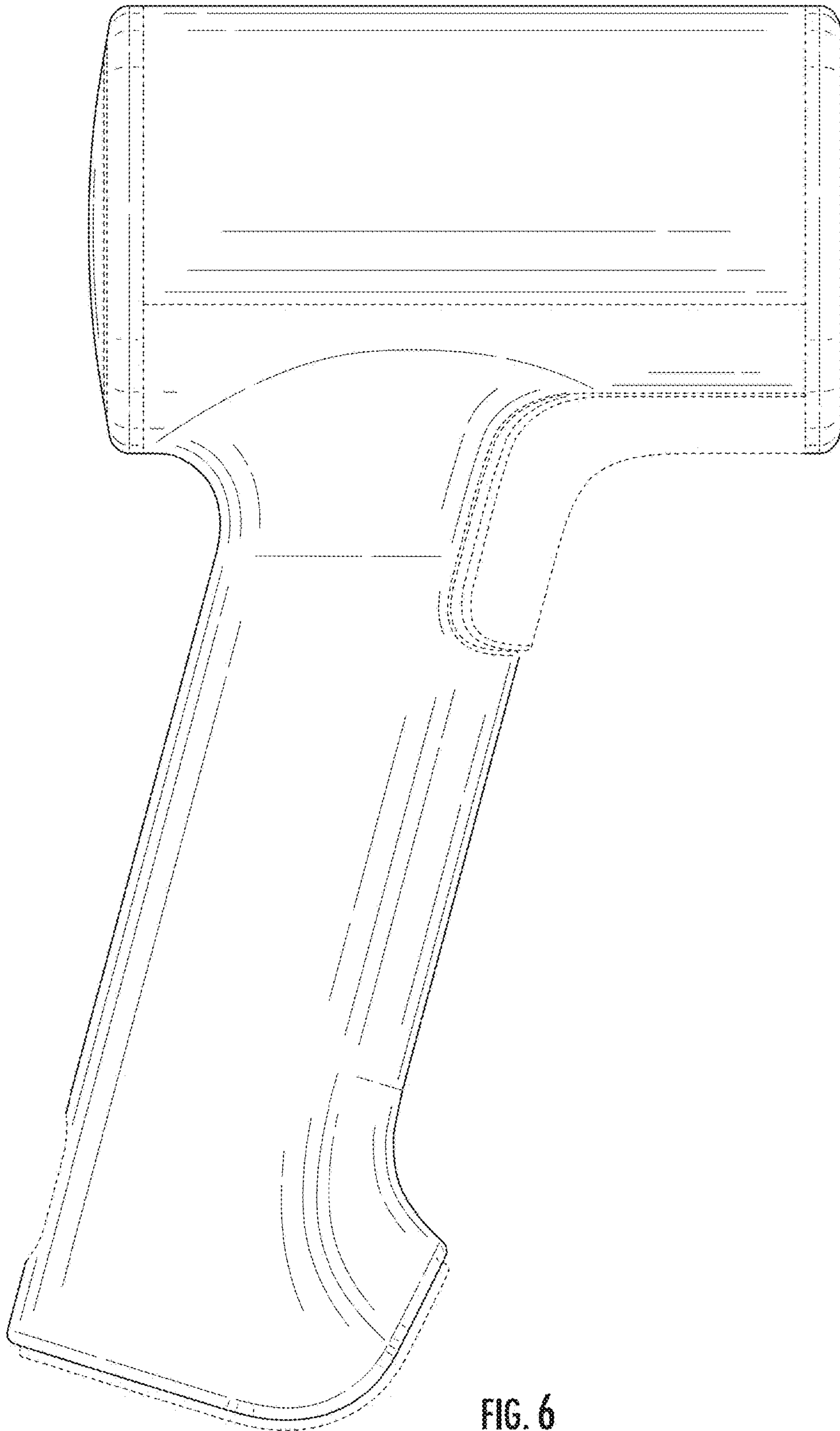


FIG. 6

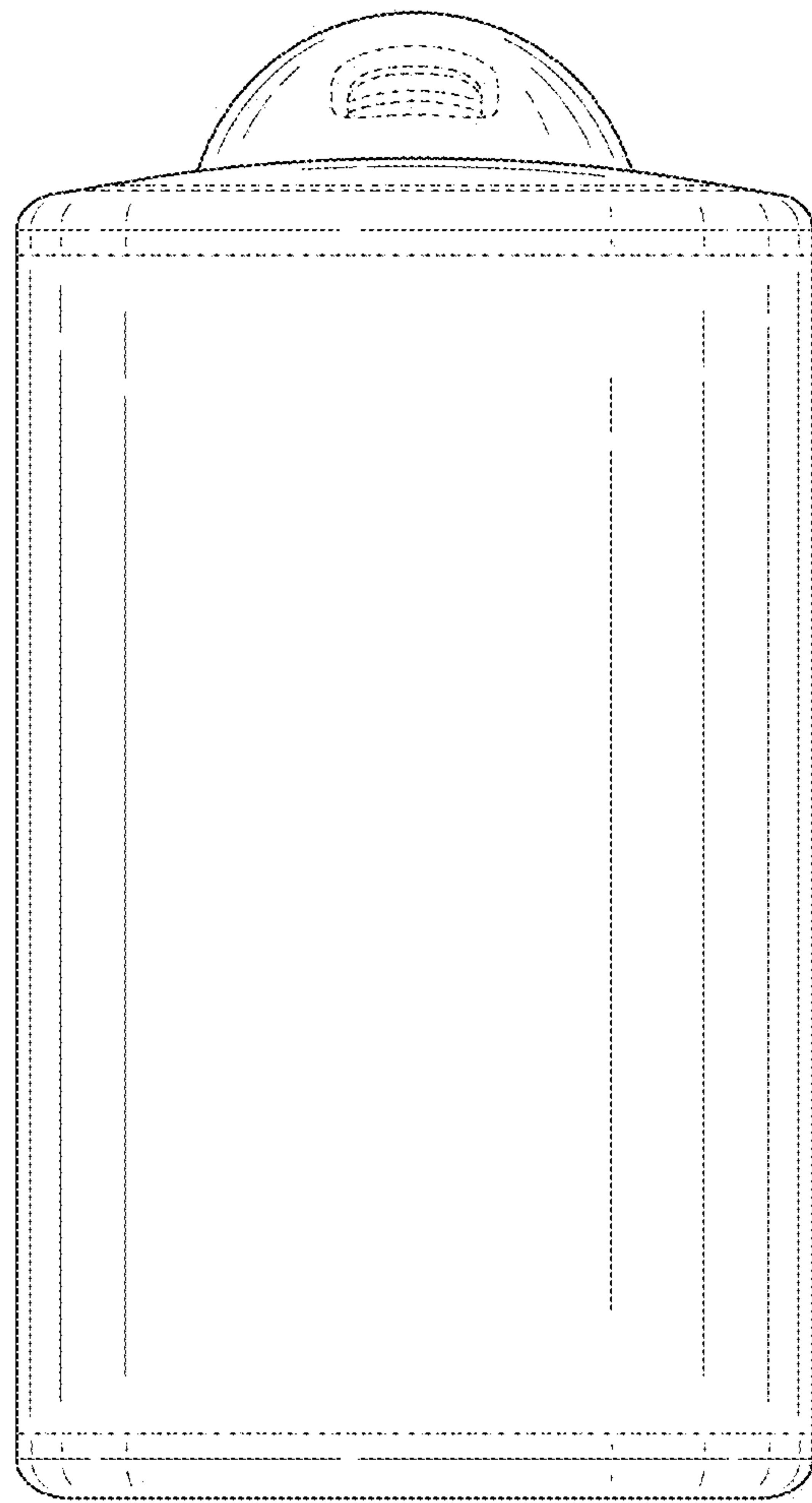


FIG. 7

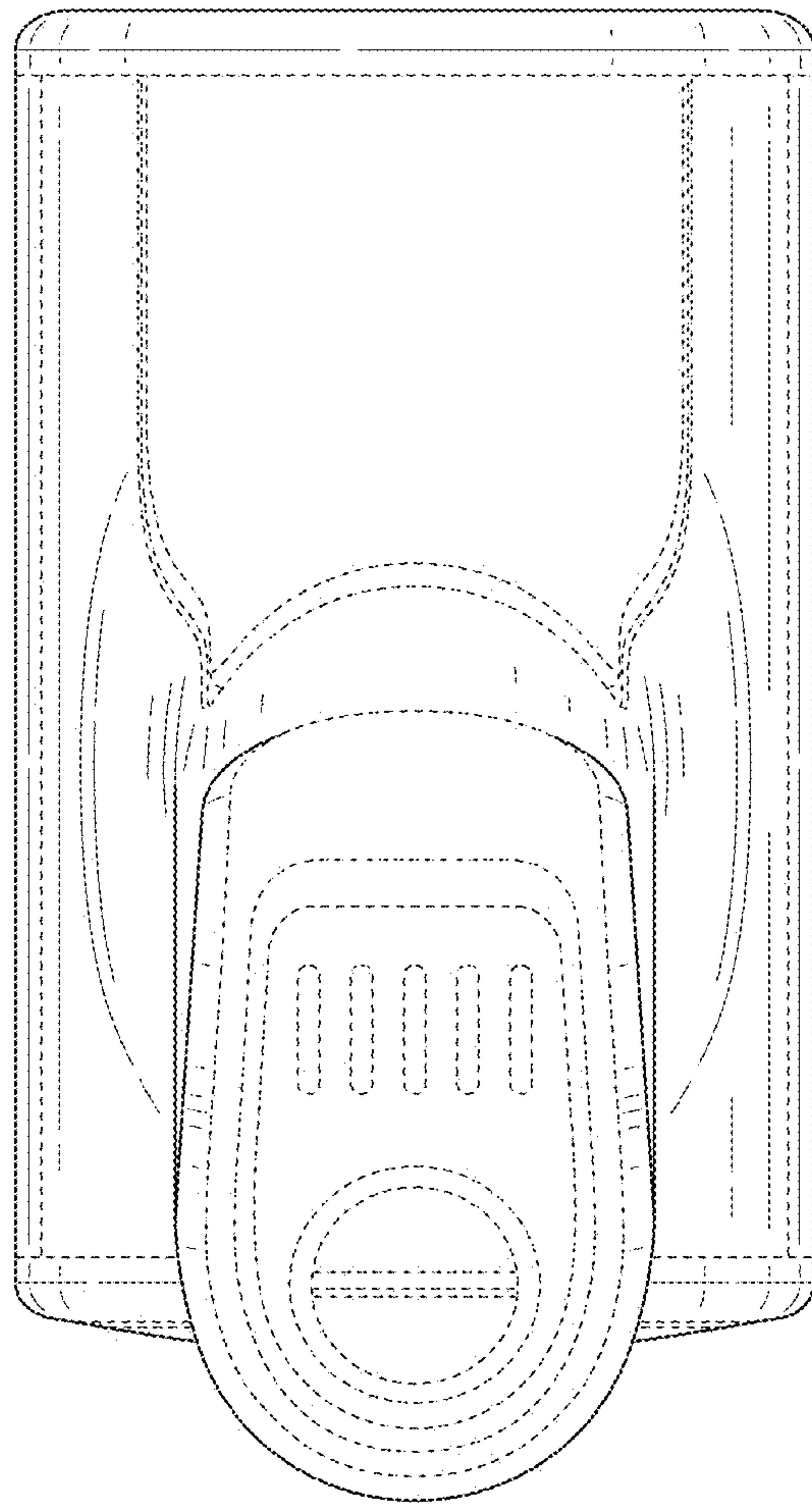


FIG. 8