



US00D851643S

(12) **United States Design Patent**
Nishizawa

(10) **Patent No.:** **US D851,643 S**
(45) **Date of Patent:** **** Jun. 18, 2019**

(54) **COORDINATE INPUT INSTRUMENT**

FOREIGN PATENT DOCUMENTS

(71) Applicant: **Wacom Co., Ltd.**, Kazo-shi, Saitama (JP)

JP D1590681 S 11/2017

* cited by examiner

(72) Inventor: **Naoya Nishizawa**, Setagaya-ku (JP)

Primary Examiner — Antoine Duval Davis

(73) Assignee: **Wacom Co., Ltd.**, Kazo-shi (JP)

(74) *Attorney, Agent, or Firm* — Christensen O'Connor Johnson Kindness PLLC

(**) Term: **15 Years**

(21) Appl. No.: **29/638,661**

(22) Filed: **Feb. 28, 2018**

(57) **CLAIM**

The ornamental design for a coordinate input instrument, as shown and described.

(30) **Foreign Application Priority Data**

Aug. 29, 2017 (JP) 2017-018470

(51) **LOC (11) Cl.** **14-02**

(52) **U.S. Cl.**
USPC **D14/411**

(58) **Field of Classification Search**
USPC D14/411, 432; 351/158, 153, 144;
345/7-9, 905; 455/344; 348/115, 53,
348/121, 739

CPC G02B 27/017; G06F 3/016; G06F 3/0317;
G06F 3/041; G06F 3/03545; G06F
3/03546; G06F 3/03547; G06F 3/03548;
G06F 3/03549; G06F 3/033; G06F
3/0338; G06F 3/0346; G06F 3/03542;
G06K 9/222; G01D 13/22; G01D 13/24;
G01D 13/26; G01D 13/265; G01D 13/28

See application file for complete search history.

(56) **References Cited**

U.S. PATENT DOCUMENTS

D797,741 S 9/2017 Cebe
D826,940 S * 8/2018 Nishizawa D14/411
D832,840 S * 11/2018 Shi D14/411

DESCRIPTION

FIG. 1 is a top-front-right perspective view of a representative embodiment of a coordinate input instrument according to my new design;

FIG. 2 is a bottom-rear-left perspective view thereof;

FIG. 3 is a right side elevational view thereof, wherein the left side elevational view is a mirror image of the right side elevational view;

FIG. 4 is a top plan view thereof;

FIG. 5 is a bottom plan view thereof;

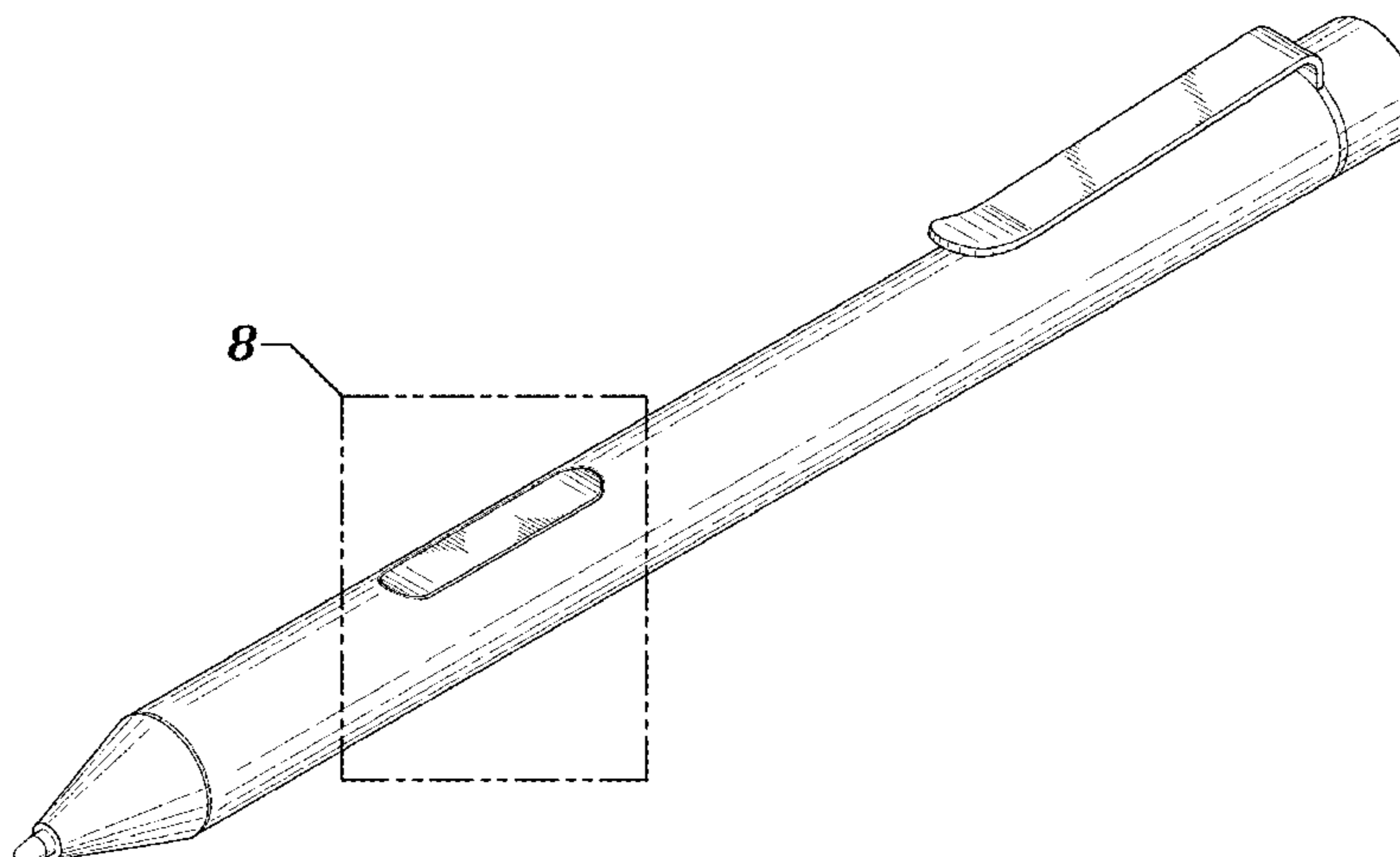
FIG. 6 is a front elevational view thereof;

FIG. 7 is a rear elevational view thereof; and,

FIG. 8 is a partial top-front-right perspective view thereof, as indicated in by the view indicator shown in FIG. 1.

The dot-dot-dash broken lines in the drawings indicate from where the enlarged views are taken and form no part of the claimed design.

1 Claim, 4 Drawing Sheets



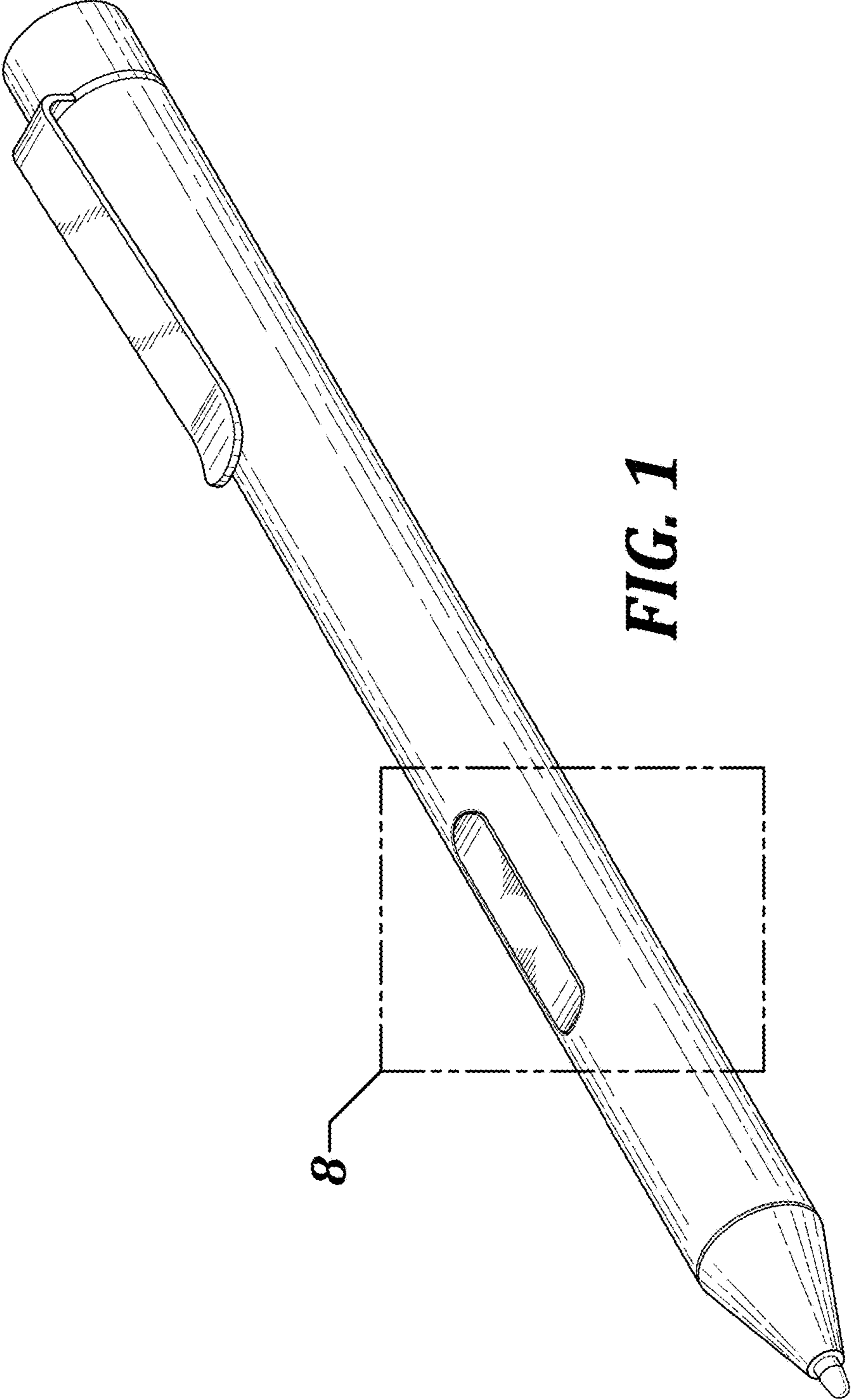


FIG. 1

8

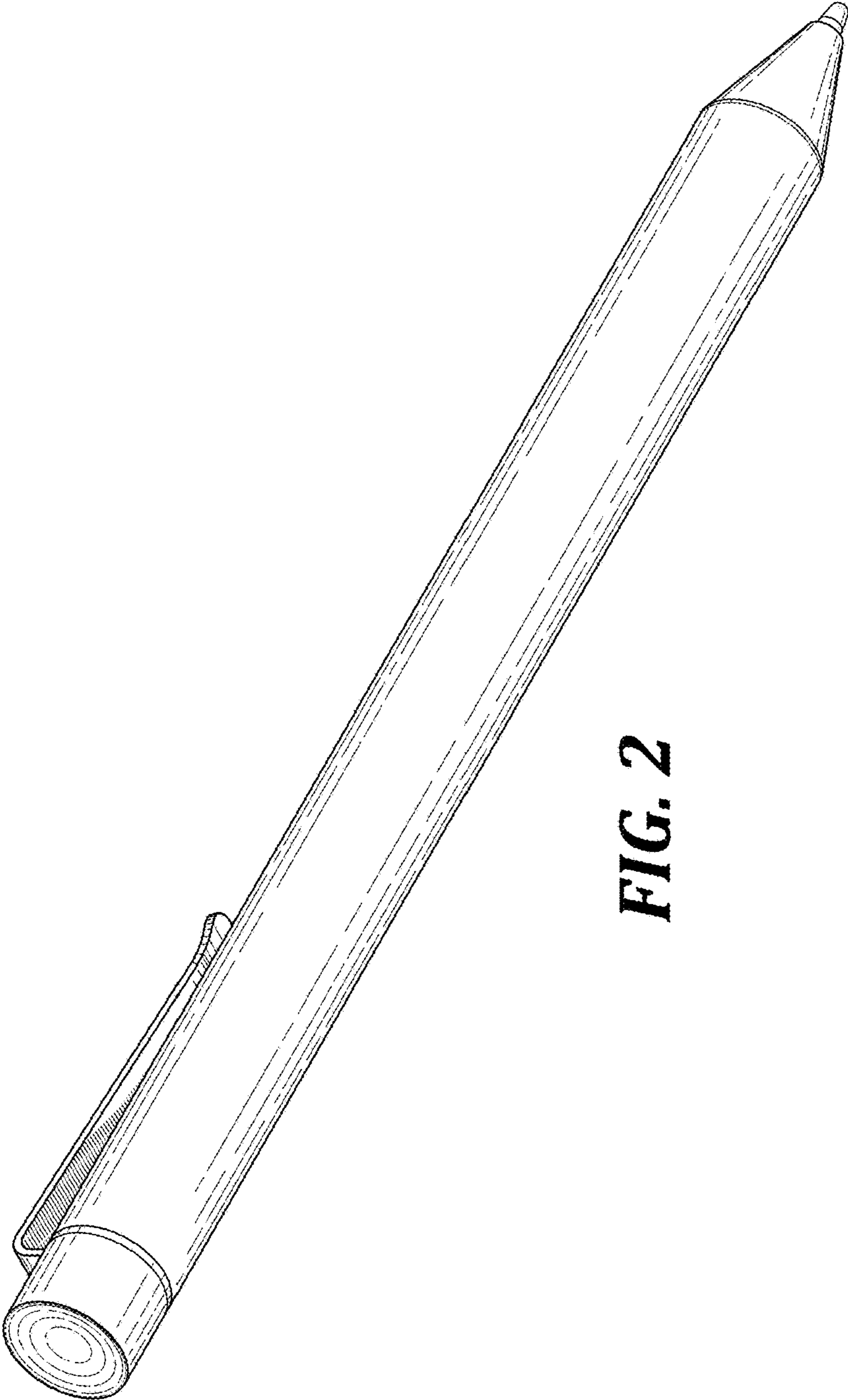


FIG. 2

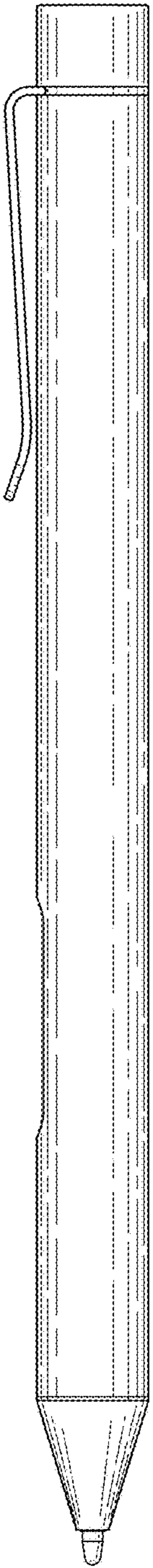


FIG. 3

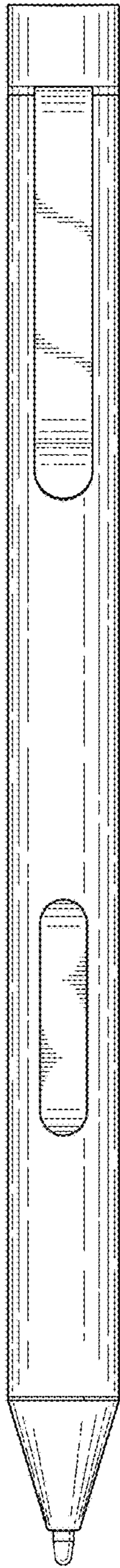


FIG. 4

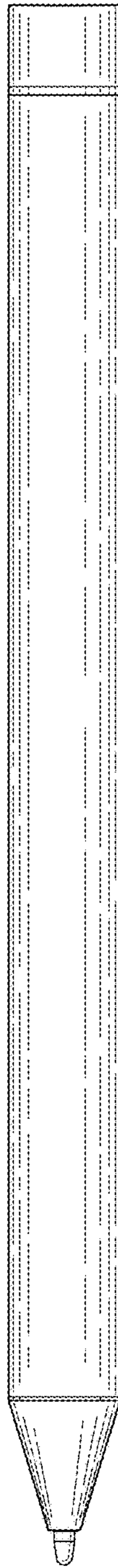


FIG. 5

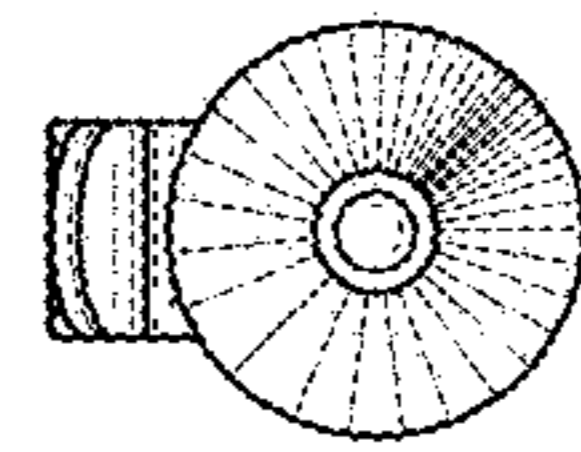


FIG. 6

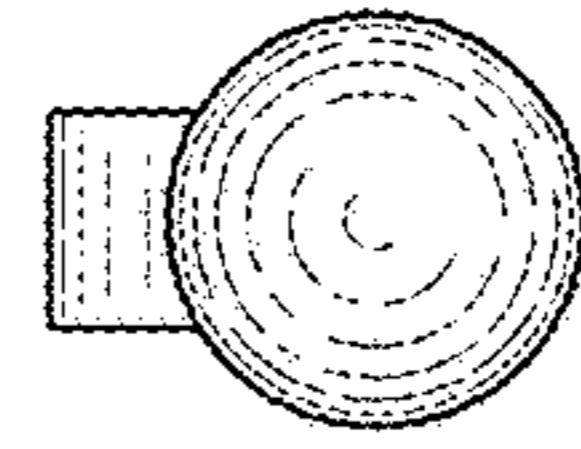


FIG. 7

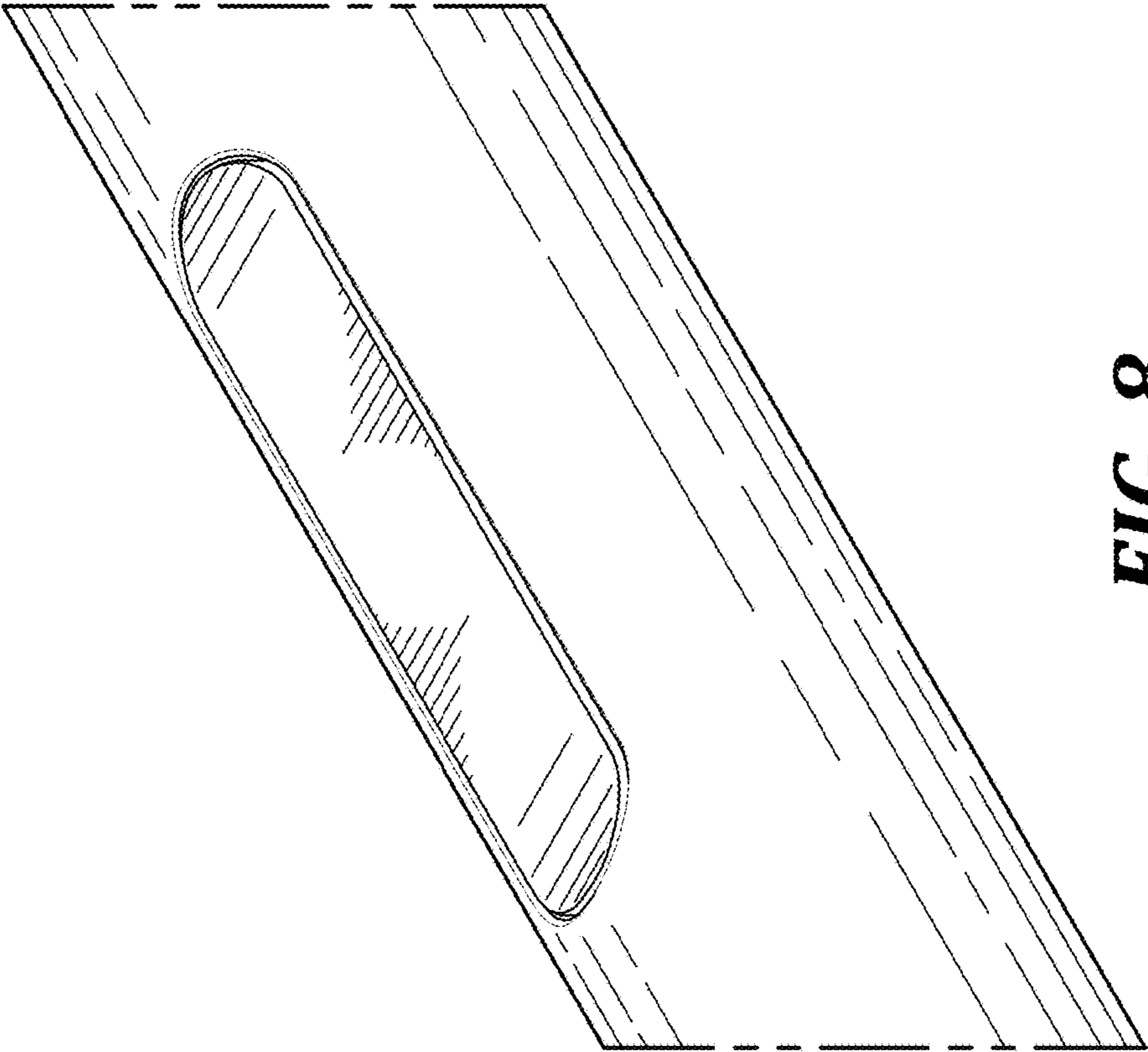


FIG. 8