



US00D851641S

(12) **United States Design Patent**
Zhang

(10) **Patent No.:** **US D851,641 S**

(45) **Date of Patent:** **** Jun. 18, 2019**

(54) **SMART WRISTBAND**

(71) Applicant: **Yan Zhang**, Yueyang (CN)

(72) Inventor: **Yan Zhang**, Yueyang (CN)

(**) Term: **15 Years**

(21) Appl. No.: **29/676,798**

(22) Filed: **Jan. 15, 2019**

(51) **LOC (11) Cl.** **14-02**

(52) **U.S. Cl.**

USPC **D14/344**

(58) **Field of Classification Search**

USPC ... D14/344, 138 R, 144, 341, 358, 205, 223,
D14/249; D10/30-39, 70, 98; D11/3,
D11/93-94; D24/167, 169, 186-187,
D24/106, 173-175

CPC G06F 1/04; G06F 1/08; G06F 1/10; G06F
1/14; G06F 1/1626; G06F 1/1628; G06F
1/163; G06F 1/1635; G06F 1/3203; G06Q
20/10; G06Q 20/12; G06Q 20/108; G06Q
20/145; H04B 1/3833; H04B 1/385;
H04B 1/3888; H04M 1/02; H04M 1/03;
H04M 1/04; H04M 1/05; H04M 1/667;
H04M 1/6058; Y02B 60/1217

See application file for complete search history.

(56) **References Cited**

U.S. PATENT DOCUMENTS

- D727,759 S * 4/2015 Martinez D10/70
- D759,826 S * 6/2016 Martinez D24/187
- D784,831 S * 4/2017 Akana D10/38
- D790,374 S * 6/2017 Lean D10/39
- 9,674,697 B2 * 6/2017 Lee H04B 1/385
- D809,144 S * 1/2018 Wu D24/167
- D815,635 S * 4/2018 Lumme D14/344
- D817,784 S * 5/2018 Swenson D10/32
- D818,467 S * 5/2018 Son D14/344
- D822,836 S * 7/2018 Wu D24/186
- D831,643 S * 10/2018 Son D14/344

- D831,645 S * 10/2018 Wu D14/344
- D833,625 S * 11/2018 Guan D24/186
- D835,533 S * 12/2018 Zheng D10/70
- D840,041 S * 2/2019 Li D24/186
- D840,043 S * 2/2019 Li D24/186
- D840,859 S * 2/2019 Sethi D11/3

(Continued)

FOREIGN PATENT DOCUMENTS

EM 004527299-0001 * 12/2017

OTHER PUBLICATIONS

SmartFitness Tracker Watch for IOS & Android, announced 2019 [online], [retrieved Mar. 30, 2019]. Available from Internet, URL: <<https://www.parkfieldsupplies.com>> (Year: 2019).*

(Continued)

Primary Examiner — Barbara Fox

Assistant Examiner — Dana K Weiland

(57) **CLAIM**

The ornamental design for a smart wristband, as shown and described.

DESCRIPTION

FIG. 1 is a perspective view of a smart wristband showing my new design;

FIG. 2 is another perspective view thereof;

FIG. 3 is a front elevational view thereof;

FIG. 4 is a rear elevational view thereof;

FIG. 5 is a left side elevational view thereof;

FIG. 6 is a right side elevational view thereof;

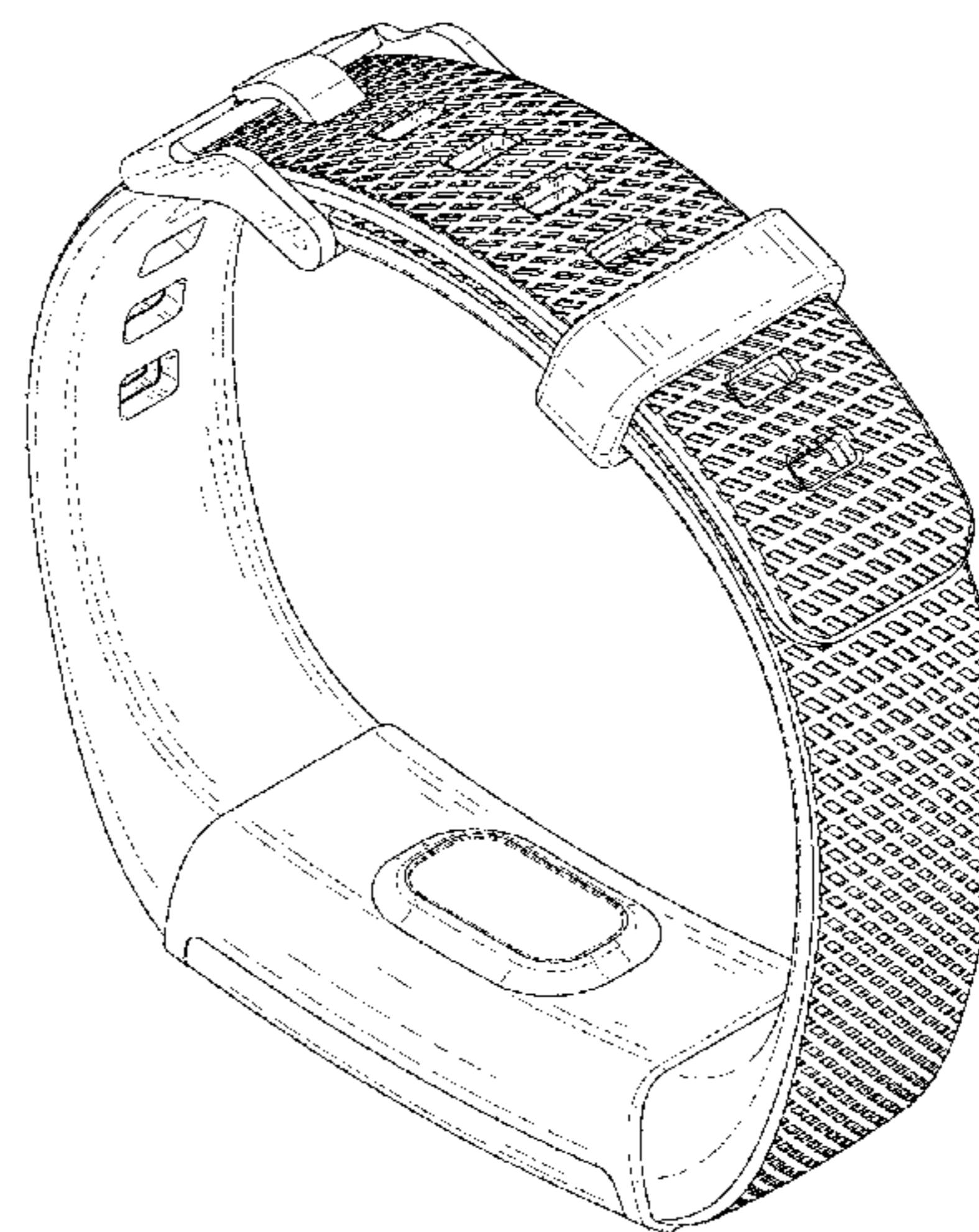
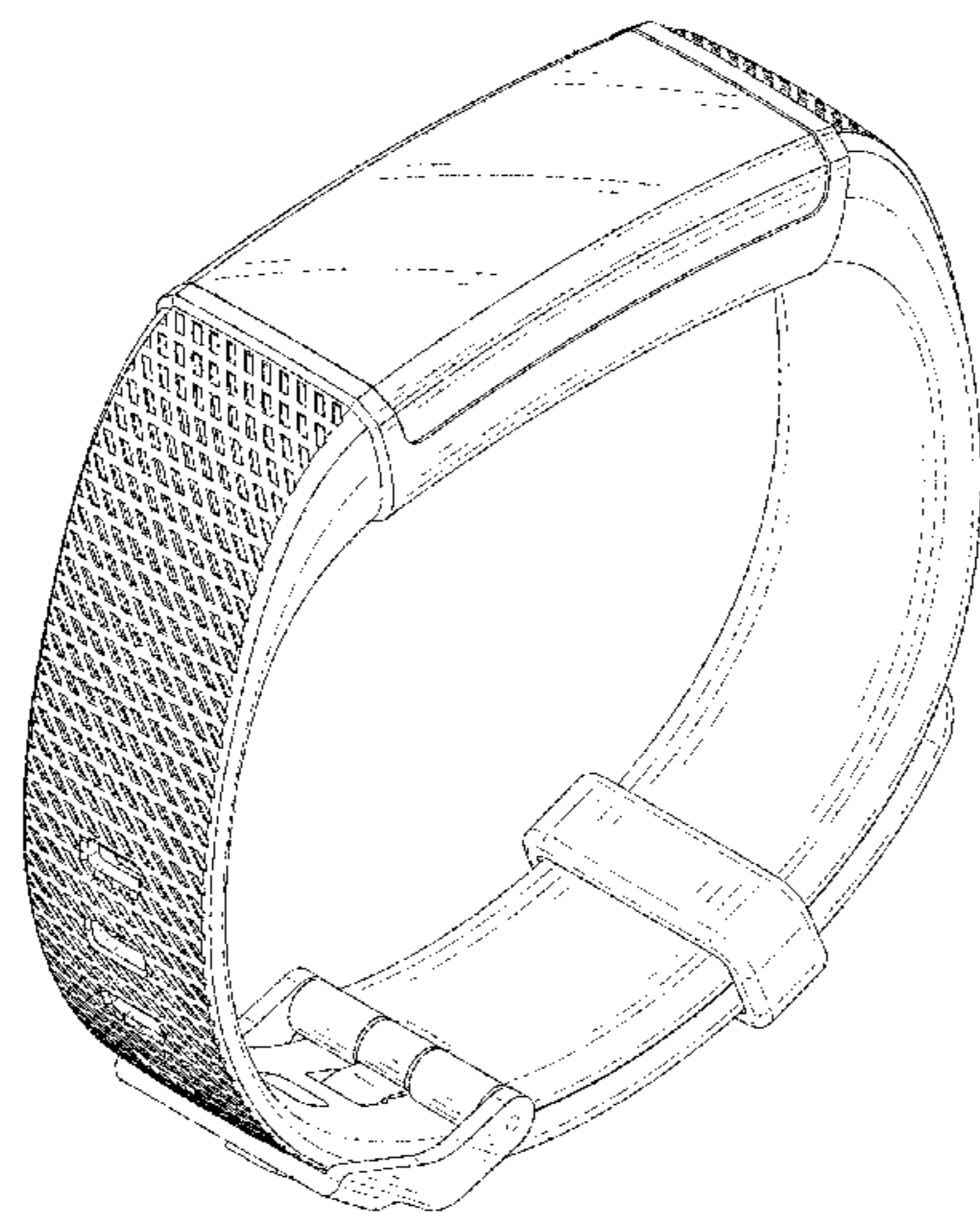
FIG. 7 is a top plan view thereof;

FIG. 8 is a bottom plan view thereof; and,

FIG. 9 is a perspective view of the smart wristband where a watchband is separated from a watch body.

The broken lines shown in the drawings depict portions of the smart wristband that form no part of the claimed design.

1 Claim, 9 Drawing Sheets



(56)

References Cited

U.S. PATENT DOCUMENTS

D841,171 S * 2/2019 Li D24/186
D843,875 S * 3/2019 Akana D11/34
2017/0340210 A1* 11/2017 Chuang A61B 5/0022
2019/0041806 A1* 2/2019 Zhang G04B 37/0033

OTHER PUBLICATIONS

MoreFit Glow, announced Jul. 20, 2017 [online], [retrieved Mar. 30, 2019]. Available from Internet, URL: <https://www.amazon.com/moreFit-Waterproof-Activity-Bracelet-Pedometer/product-reviews/B07CFW9S4C/ref=cm_cr_getr_d_paging_btm_next_3?ie=UTF8&reviewerType=all_reviews&pageNumber=3&sortBy=recent> (Year: 2017).*

Oitom Metal Bands, announced 2017 [online], [retrieved Mar. 30, 2019]. Available from Internet, URL: <https://www.amazon.com/Oitom-Compatible-Stainless-Replacement-Accessories/dp/B07H5B9NMX/ref=cm_cr_arp_d_product_top?ie=UTF8> (Year: 2017).*

* cited by examiner

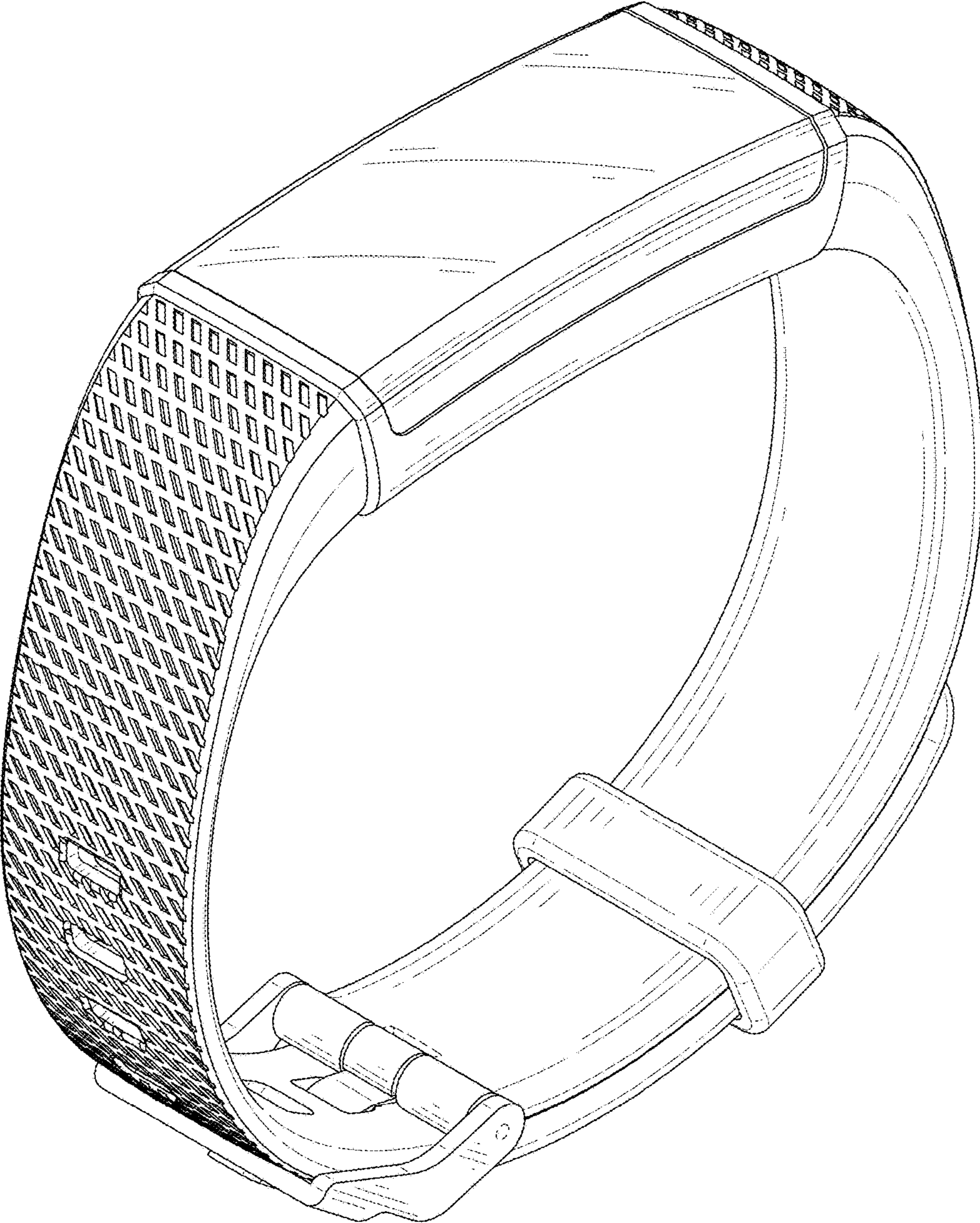


FIG. 1



FIG. 2

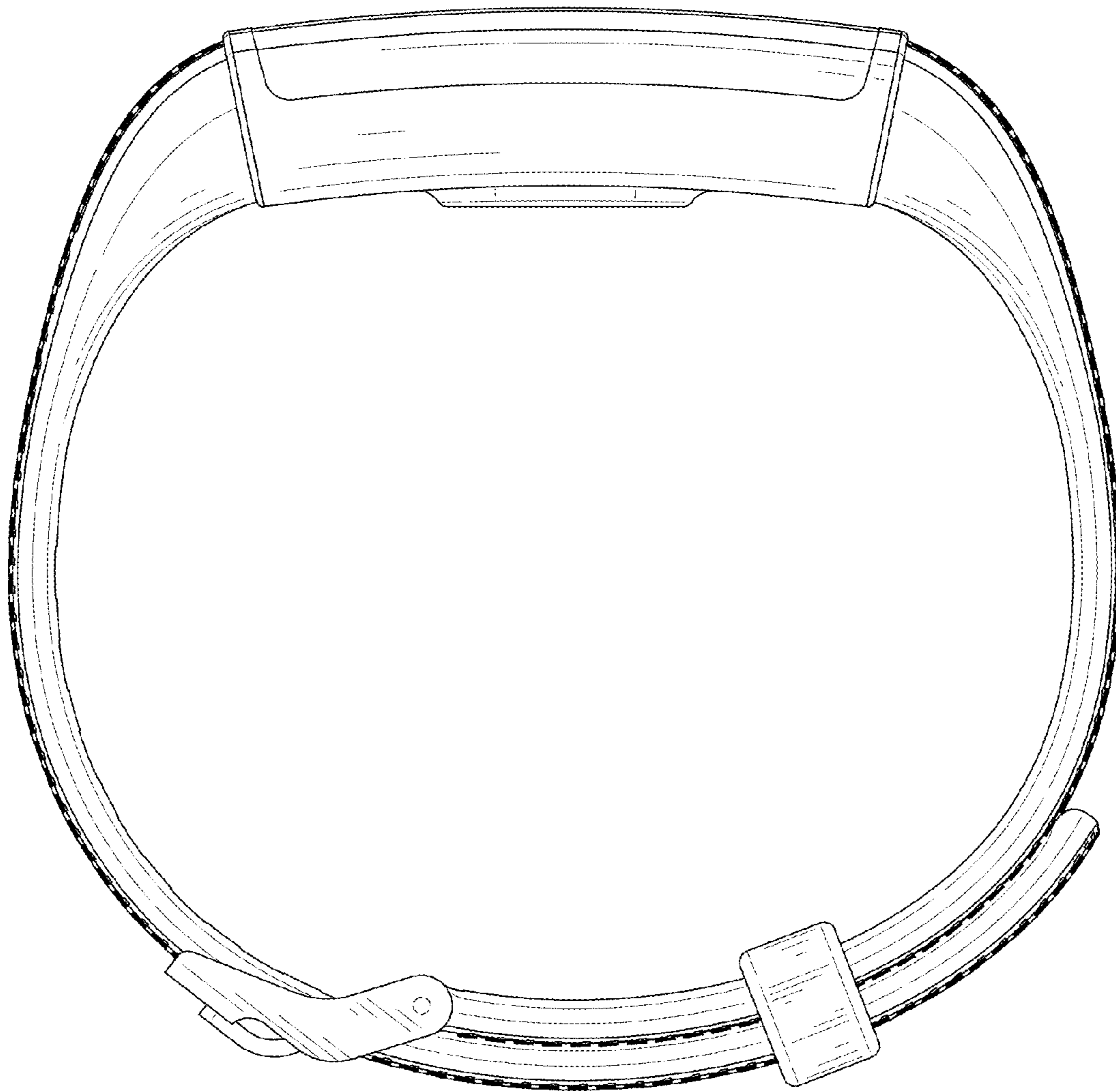


FIG. 3

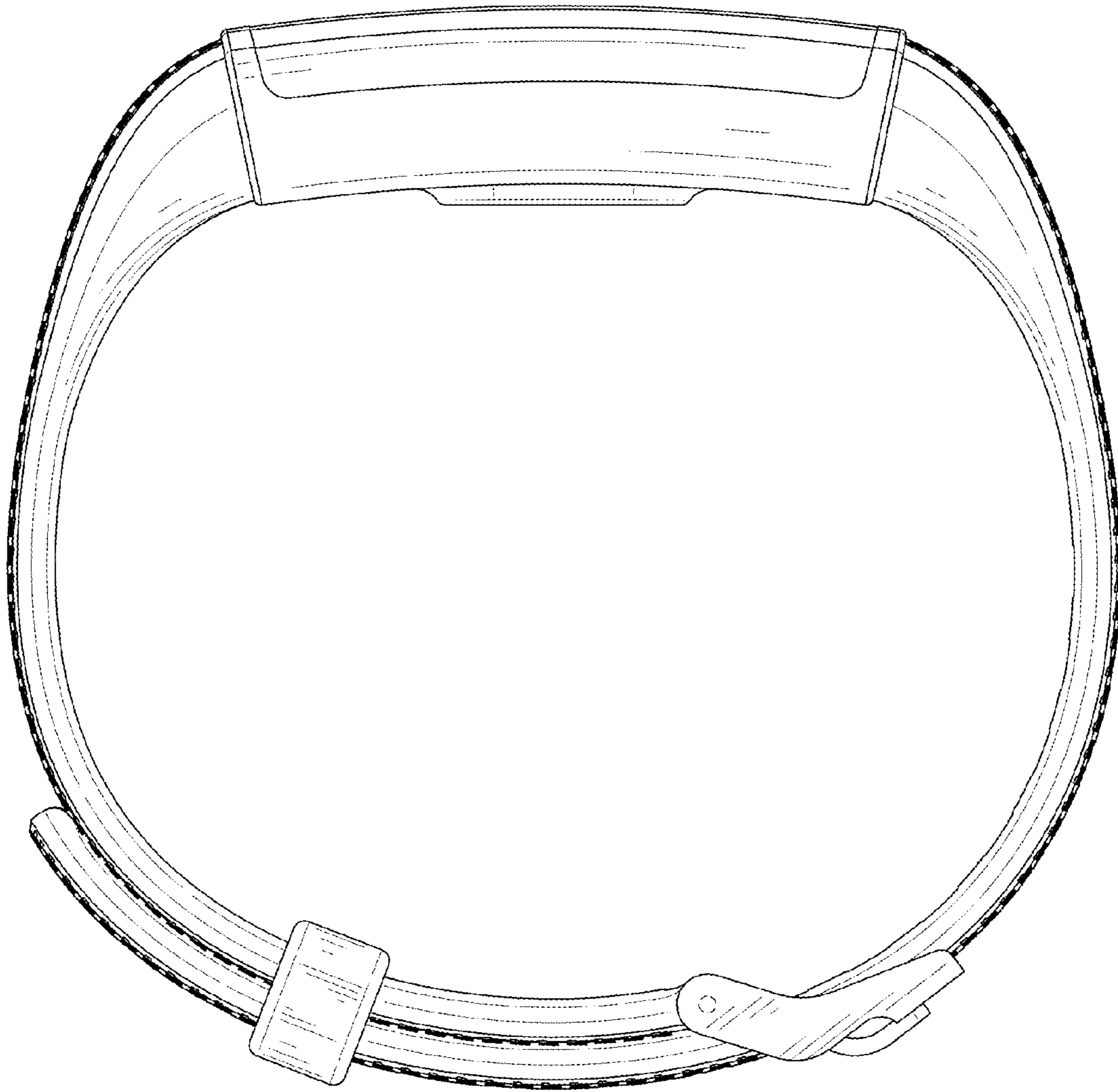


FIG. 4

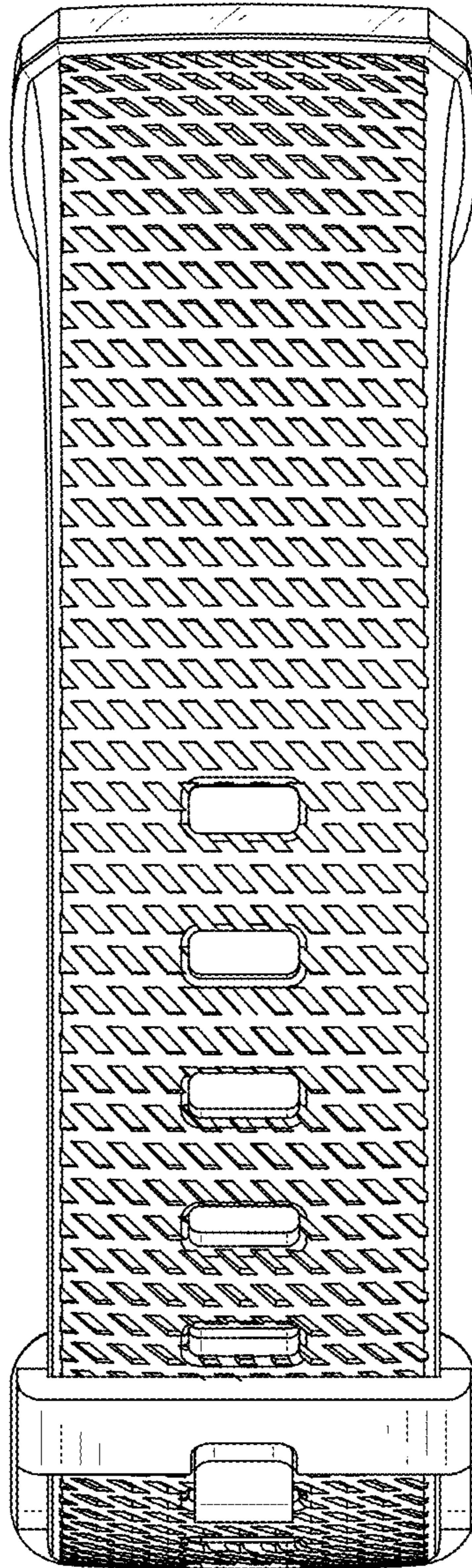


FIG. 5

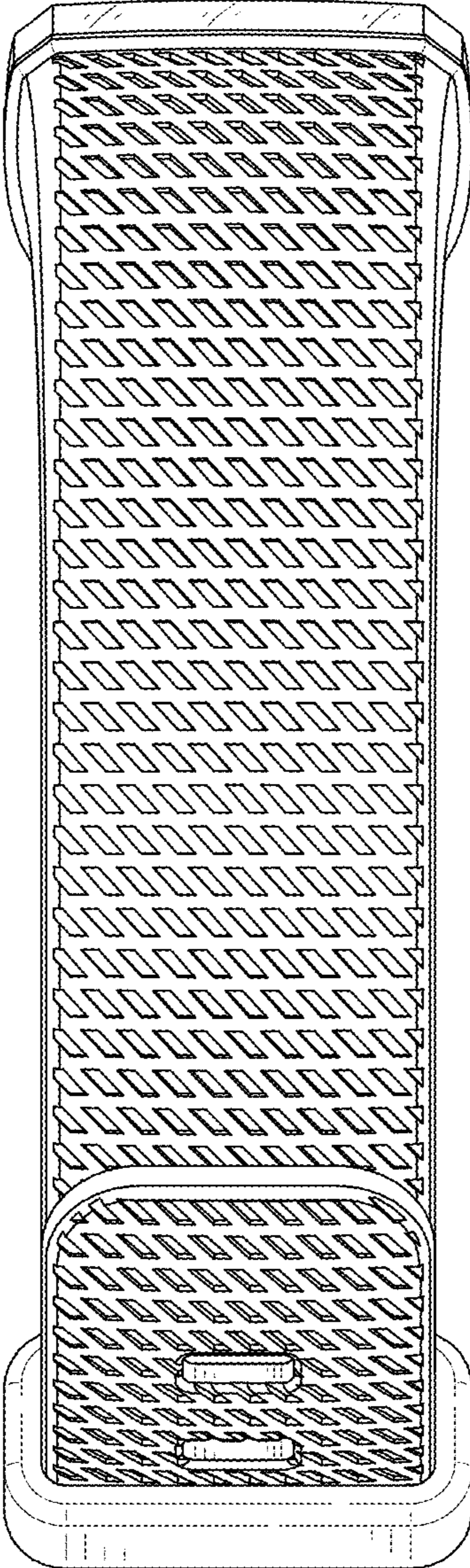


FIG. 6

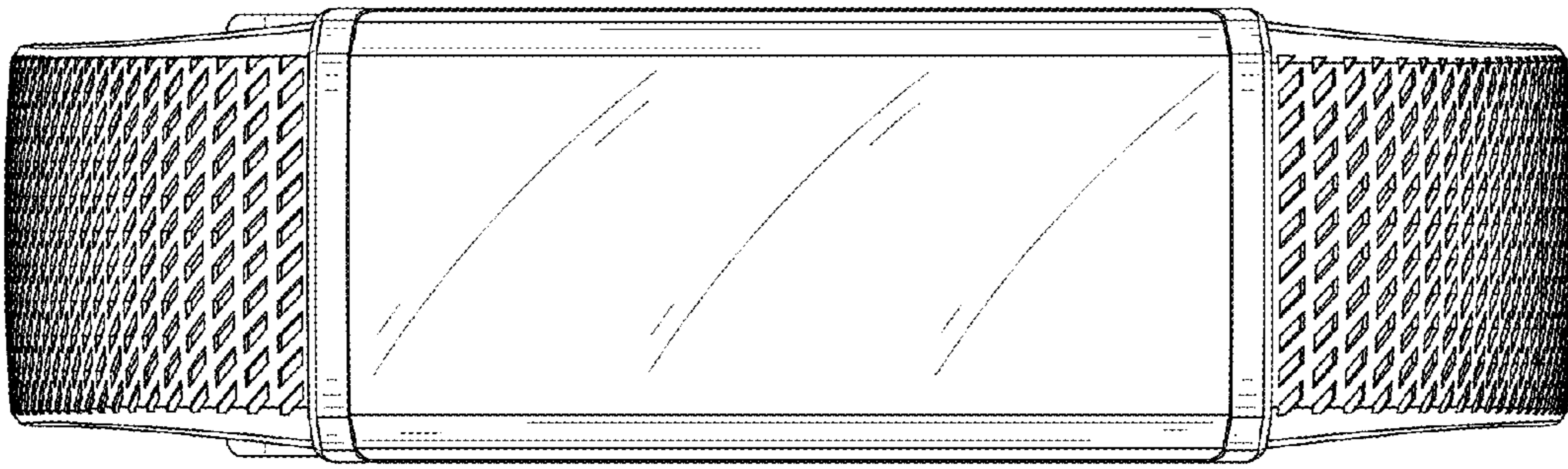


FIG. 7

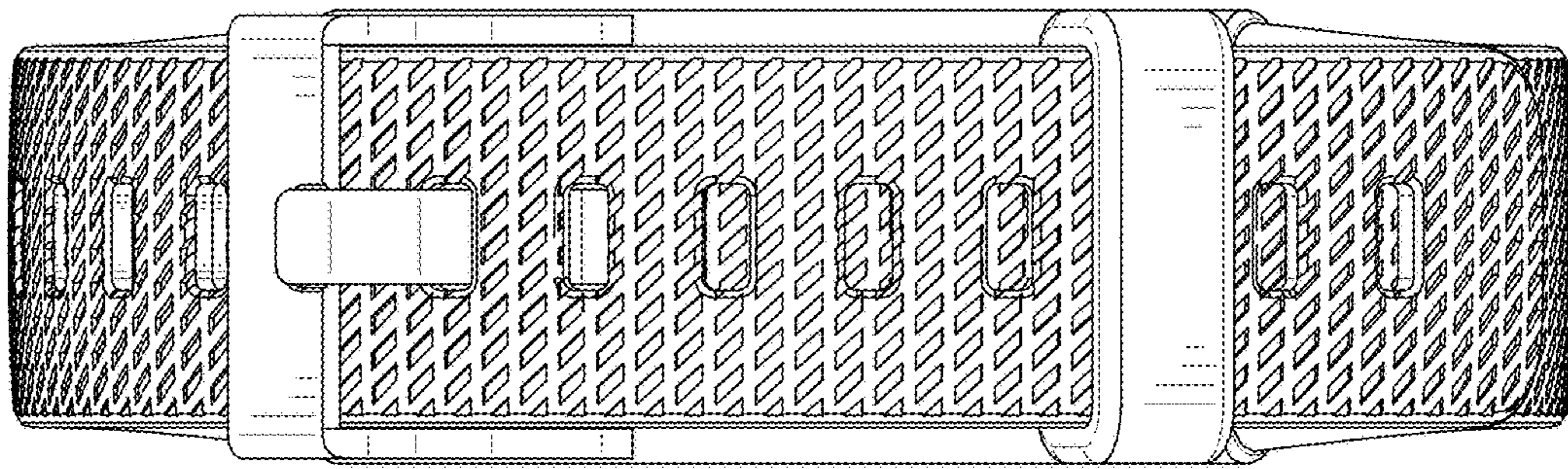


FIG. 8

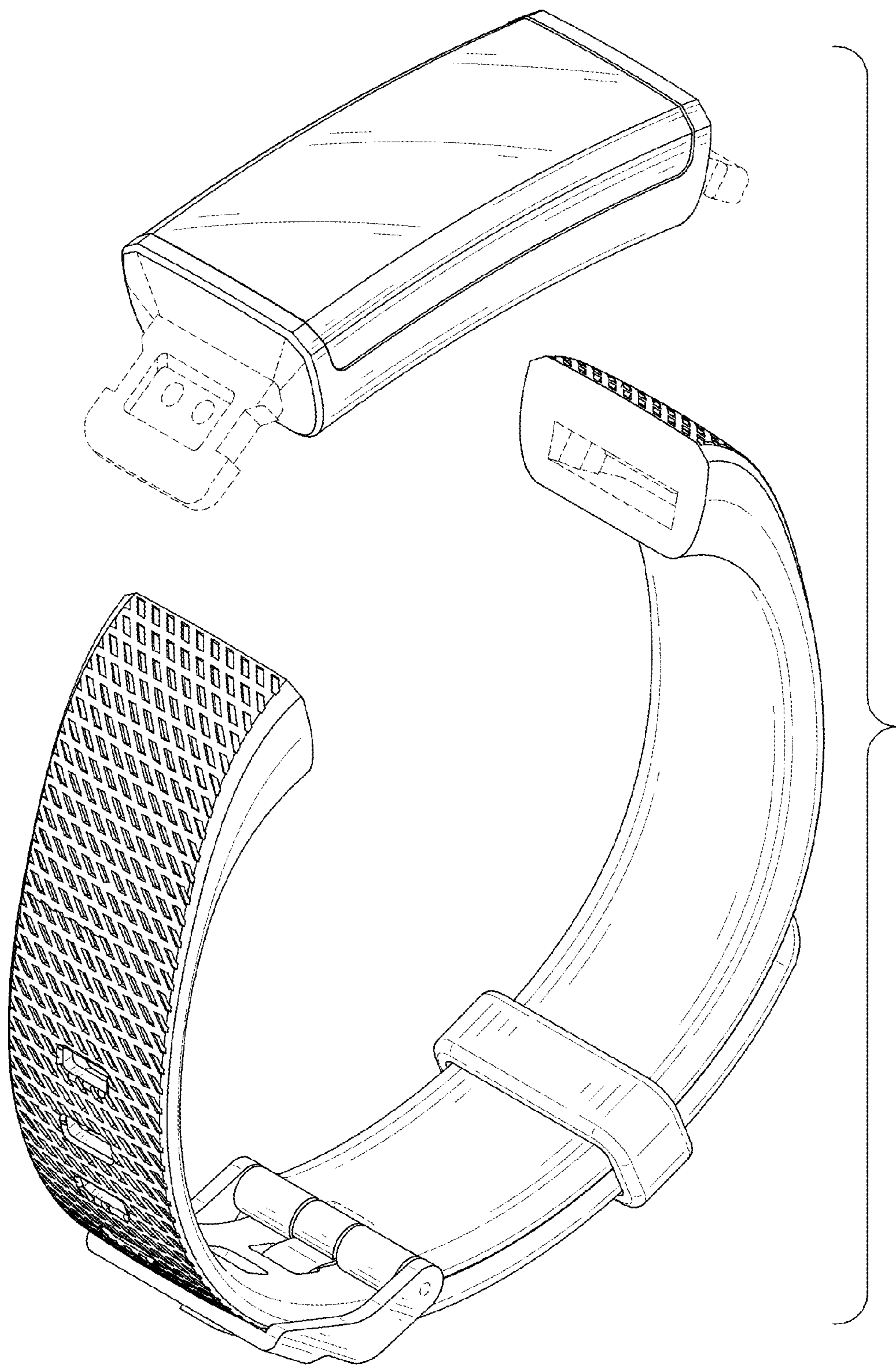


FIG. 9