



US00D851639S

(12) **United States Design Patent**
Kim

(10) **Patent No.:** **US D851,639 S**
(45) **Date of Patent:** **** Jun. 18, 2019**

(54) **CASE FOR ELECTRONIC COMMUNICATIONS DEVICE**

(71) Applicant: **SPIGEN KOREA CO., LTD.**, Seoul (KR)

(72) Inventor: **Seungjoo Kim**, Seoul (KR)

(73) Assignee: **SPIGEN KOREA CO., LTD.**, Seoul (KR)

(**) Term: **15 Years**

(21) Appl. No.: **29/631,907**

(22) Filed: **Jan. 3, 2018**

(51) **LOC (11) Cl.** **14-03**

(52) **U.S. Cl.**
USPC **D14/250**

(58) **Field of Classification Search**
USPC D14/248, 439, 203.3-203.7, 447, 238.1, D14/440, 251-253, 217, 240, 250; D3/201, 218, 247, 269, 273, 301, 303; D13/103, 107-108, 119
CPC H04B 1/3888; H04M 1/0283; H04M 1/0202; A45C 1/06; A45C 2011/002; A45C 11/00; A45C 13/02; A45F 2005/026; A45F 2200/0525; A45F 2200/0516
See application file for complete search history.

7,989,085 B2 * 8/2011 Li H04M 1/0283 174/50

D644,635 S * 9/2011 Richardson D14/250

D662,929 S 7/2012 Fahrendorff et al.

D671,930 S 12/2012 Akana et al.

D673,539 S 1/2013 Magness et al.

D674,789 S 1/2013 Wen

D679,695 S 4/2013 Fahrendorff et al.

D694,224 S 11/2013 Wooseung

D694,759 S * 12/2013 Chang D14/440

D696,238 S 12/2013 Murchison et al.

D696,240 S 12/2013 Kim et al.

D706,255 S 6/2014 Akana et al.

D709,649 S 7/2014 Maraffi

D713,834 S * 9/2014 Almstrom D14/250

D714,276 S 9/2014 Hu et al.

D721,071 S 1/2015 Nelson et al.

D721,072 S 1/2015 Laffon de Mazieres et al.

D721,360 S 1/2015 Laffon de Mazieres et al.

D721,693 S 1/2015 Lee et al.

D731,472 S * 6/2015 Lee D14/250

D739,394 S 9/2015 Rayner et al.

D740,796 S 10/2015 Kim et al.

D741,845 S 10/2015 Kim

D746,805 S 1/2016 Kim

D756,343 S 5/2016 Wall et al.

D762,205 S * 7/2016 Dang D14/250

D763,241 S 8/2016 Kim

D763,242 S * 8/2016 Kim D14/250

D765,627 S 9/2016 Watt

D765,632 S * 9/2016 Northrup D14/250

D765,633 S 9/2016 Northrup et al.

D765,638 S * 9/2016 Gaylord D14/250

D765,645 S 9/2016 Kim

D771,612 S 11/2016 Roberts et al.

D771,613 S 11/2016 Poon et al.

D773,445 S 12/2016 Witter et al.

D776,647 S 1/2017 Kim

D777,157 S 1/2017 Kim

D777,159 S 1/2017 Lee et al.

D778,271 S * 2/2017 Stump D14/250

D778,892 S * 2/2017 Fathollahi D14/250

D779,471 S 2/2017 Tien

D780,164 S * 2/2017 Lee D14/250

D781,835 S 3/2017 Kim et al.

D781,836 S 3/2017 Kim et al.

D781,837 S 3/2017 Kim et al.

D781,838 S 3/2017 Kim et al.

D781,839 S 3/2017 Kim et al.

D781,840 S 3/2017 Kim et al.

D782,453 S 3/2017 Kim et al.

D782,454 S 3/2017 Kim et al.

D784,309 S 4/2017 Lee et al.

(56) **References Cited**
U.S. PATENT DOCUMENTS

D515,809 S * 2/2006 Perella D3/232

D574,819 S 8/2008 Andre et al.

D615,077 S 5/2010 Richardson et al.

D615,536 S 5/2010 Richardson et al.

D623,639 S 9/2010 Richardson et al.

D623,640 S 9/2010 Freeman

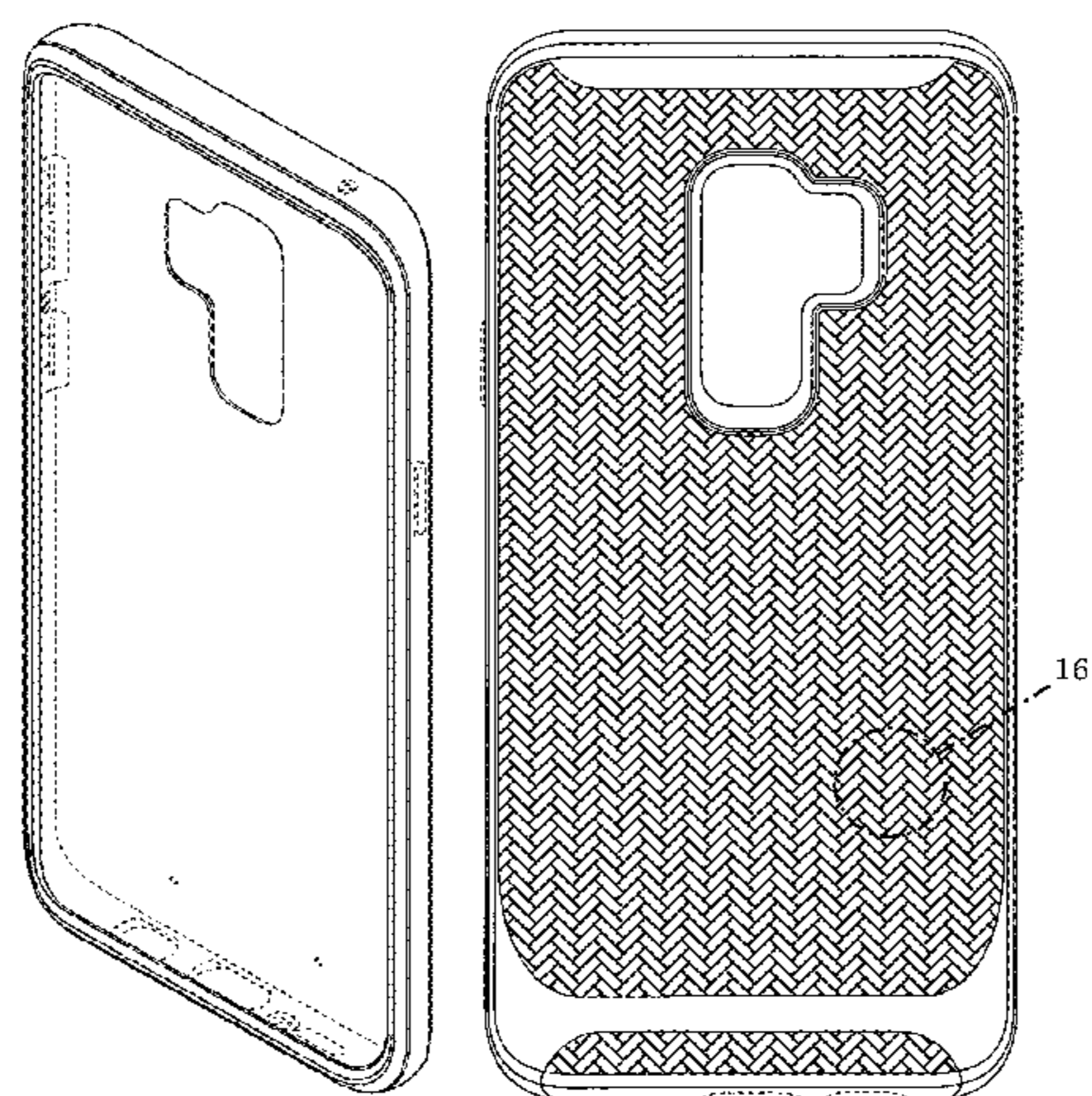
D624,910 S * 10/2010 Richardson D14/250

D638,830 S * 5/2011 Magness D14/250

D643,029 S 8/2011 Feng

D643,836 S * 8/2011 Smith D14/250

D643,837 S 8/2011 Smith



D786,848 S	5/2017	Park et al.	
D786,849 S	5/2017	Park et al.	
D786,851 S *	5/2017	Kim	D14/250
D788,757 S *	6/2017	Kim	D14/250
D792,394 S	7/2017	Lee et al.	
D795,237 S	8/2017	Jung et al.	
D797,715 S	9/2017	Kim	
D798,286 S	9/2017	Roberts et al.	
D798,853 S	10/2017	Park et al.	
D800,714 S	10/2017	Lee et al.	
D801,322 S	10/2017	Song et al.	
D801,323 S	10/2017	Kim	
D801,960 S *	11/2017	Kim	D14/250
D803,206 S *	11/2017	Kim	D14/250
D808,373 S *	1/2018	Brown	D14/250
D810,064 S *	2/2018	Kim	D14/250
2014/0221056 A1 *	8/2014	Gandhi	H04B 1/3888 455/575.8
2015/0053583 A1 *	2/2015	McCormick	A45C 11/00 206/521
2015/0133204 A1 *	5/2015	Ivanovski	H04B 1/3816 455/575.8
2017/0201285 A1 *	7/2017	Liu	H04B 1/3888

OTHER PUBLICATIONS

Review of ROCK Royce Hybrid Case for iPhone 6 Plus, posted on Jan. 1, 2015, URL:<http://gadgetunit.com/2015/01/01/review-rock-royce-hybrid-case-for-iphone-6-plus-video/>, retrieved from internet on Mar. 14, 2018.*

Caseology review: Testing 4 of the nicest iPhone 6s cases available, posted on Nov. 28, 2015, URL: <https://www.cultofmac.com/399325/caseology-review/>, retrieved from internet on Mar. 14, 2018.*

“Caseology Parallax Series iPhone 7 Plus / 8 Plus Cover Case with Design Slim Protective for Apple iPhone 7 Plus (2016)/ iPhone 8 Plus (2017)—Matte Black”, https://www.amazon.com/dp/B01LY50PST/ref=sspa_dk_detail_2?psc=1&pd_rd_i=B01LY50PST&pd_rd_wg=icXr2&pd_rd_r=GH162EAFZNP50Z3MFQ31&pd_rd_w=csf1K, Earliest review date of Sep. 9, 2016.

“iPhone 6S Plus Case, Caseology [Wavelength Series] Slim Fit Military-Grade Drop Protection [Navy Blue] for Apple iPhone 6S Plus (2015) & iPhone 6 Plus (2014)”, <https://www.amazon.com/iPhone-Caseology-Wavelength-Military-Grade-Protection/dp/B013W2C77G>, Earliest review date of Sep. 10, 2015.

“ROCK Royce Hybrid Case for Apple iPhone 5 5S & SE Iron Grey”, <https://www.gadgetwear.co.uk/products/rock-royce-hybrid-case-for-apple-iphone-5-5s-se-iron-grey>, Earliest review date of Aug. 26, 2016.

“iPhone SE Case, For Apple iPhone 5S/5 Case, ROCK [Royce] Anti-scratch Drop Protection Slim Fit Dual Layered Heavy Duty Armor Hybrid Hard PC + Soft TPU Protective Shell Case—Champagne Gold/Black”, <https://www.amazon.com/ROCKAntiscratchProtectionLayeredProtective/dp/B014A8AM71>, Earliest review date of Oct. 16, 2015.

“iPhone 6s Case, Spigen [Neo Hybrid EX] Premium Bumper [Rose Gold] Clear TPU / PC Frame Slim Dual Layer Premium Case for iPhone 6 (2014) / 6s (2015)—Rose Gold (SGP11725)”, <https://www.amazon.com/dp/B012PKV30S>, Earliest review date of Aug. 28, 2015.

Danny Winget, “Spigen SGP Neo Hybrid for Galaxy Note 3 Review”, <https://www.youtube.com/watch?v=W80JtBDSckK>, Published on Nov. 3, 2013.

“Spigen Neo Hybrid Carbon Galaxy S6 Edge Plus Case with Carbon Fiber Design and Reinforced Hard Bumper Frame for Galaxy S6 Edge Plus 2015—Dante Red”, <https://www.amazon.com/dp/B010MWHZSO>, Earliest review date of Aug. 18, 2015.

“Spigen Neo Hybrid Carbon iPhone 6s Case with Carbon Fiber Design and Reinforced Hard Bumper Frame for Apple iPhone 6s / iPhone 6 (2015)—Reventon Yellow”, <https://www.amazon.com/dp/B010MVJ508>, Earliest review date of Sep. 1, 2015.

“Spigen Neo Hybrid Carbon iPhone 6S Plus Case with Carbon Fiber Design and Reinforced Hard Bumper Frame for iPhone 6S Plus 2015—Gunmetal”, <https://www.amazon.com/dp/B010MVRGMQ>, Earliest review date of Sep. 11, 2015.

“Spigen Neo Hybrid CC Galaxy S6 Case with Flexible Inner Casing and Reinforced Hard Bumper Frame for Galaxy S6 2015—Satin Silver”, <https://www.amazon.com/dp/B00UMDOZLU>, Earliest review date of Mar. 25, 2015.

“Spigen Neo Hybrid CC Galaxy S6 Edge Case with Flexible Inner Casing and Reinforced Hard Bumper Frame for Galaxy S6 Edge 2015—Blue Topaz”, <https://www.amazon.com/dp/B00USAPGKQ>, Earliest review date of Apr. 4, 2015.

“Spigen Neo Hybrid Crystal Galaxy Note 5 Case with Flexible Inner Casing and Reinforced Hard Bumper Frame for Galaxy Note 5 2015—Champagne Gold”, <https://www.amazon.com/dp/B010MWIG1K>, Earliest review date of Aug. 22, 2015.

“Spigen Neo Hybrid EX iPhone 6 Case with Flexible Inner Bumper and Reinforced Hard Frame for iPhone 6S/iPhone 6—EX Satin Silver”, <https://www.amazon.com/dp/B00LL6RZ3C>, Earliest review date of Sep. 6, 2014.

“Spigen Neo Hybrid EX iPhone 6S Plus Case with Flexible Inner Bumper and Reinforced Hard Frame for iPhone 6S Plus/iPhone 6 Plus—Champagne Gold”, <https://www.amazon.com/dp/B010MVR16>, Earliest review date of Sep. 4, 2015.

“Spigen Neo Hybrid EX Nexus 6P Case with Flexible Inner Bumper and Reinforced Hard Frame for Nexus 6P 2015—Gunmetal”, <https://www.amazon.com/dp/B018418Z4W>, Earliest review date of Oct. 20, 2015.

“Spigen Neo Hybrid Galaxy S6 Case with Flexible Inner Protection and Reinforced Hard Bumper Frame for Galaxy S6 2015—Satin Silver”, <https://www.amazon.com/dp/B00QU4Q31A>, Earliest review date of Mar. 6, 2015.

“Spigen Neo Hybrid Galaxy S6 Edge Case with Flexible Inner Protection and Reinforced Hard Bumper Frame for Galaxy S6 Edge 2015—Gunmetal”, <https://www.amazon.com/dp/B00SV635BG>, Earliest review date of Mar. 19, 2015.

“Spigen Neo Hybrid iPhone 6 Case with Flexible Inner Protection and Reinforced Hard Bumper Frame for iPhone 6S/ iPhone 6—Gunmetal”, <https://www.amazon.com/dp/B00LL6ZPXY>, Earliest review date of Aug. 28, 2014.

“Spigen Neo Hybrid Nexus 6 Case with Flexible Inner Protection and Reinforced Hard Bumper Frame for Google Nexus 6 2014—Dante Red”, <https://www.amazon.com/dp/B000H4HKGC>, Earliest review date of Nov. 16, 2014.

“Spigen Neo Hybrid Galaxy S7 Case with Flexible Inner Protection and Reinforced Hard Bumper Frame for Samsung Galaxy S7 2016—Gunmetal”, <https://www.amazon.com/dp/B016116J0E>, Earliest review date of Feb. 27, 2016.

“Spigen Neo Hybrid Crystal Galaxy S7 Case with Flexible Inner Casing and Reinforced Hard Bumper Frame for Samsung Galaxy S7 2016—Champagne Gold”, <https://www.amazon.com/dp/B01B29WCOY>, Earliest review date of Mar. 3, 2016.

“Spigen Neo Hybrid Crystal Galaxy S7 Edge Case with Flexible Inner Casing and Reinforced Hard Bumper Frame for Samsung Galaxy S7 Edge 2016—Satin Silver”, <https://www.amazon.com/dp/B01A7IDQV4>, Earliest review date of Feb. 22, 2016.

“Spigen Neo Hybrid Crystal iPhone SE Case with Flexible Inner Casing and Reinforced Hard Bumper Frame for iPhone SE 2016—Rose Gold”, <https://www.amazon.com/dp/B01BEJB7TI>, Earliest review date of Apr. 7, 2016.

“Spigen Neo Hybrid Crystal LG G5 Case with Flexible Inner Casing and Reinforced Hard Bumper Frame for LG G5 2016—Champagne Gold”, <https://www.amazon.com/dp/B01B1GQKIC>, Earliest review date of Apr. 17, 2016.

“Spigen Neo Hybrid Galaxy S7 Edge Case with Flexible Inner Protection and Reinforced Hard Bumper Frame for Samsung Galaxy S7 Edge 2016 —Satin Silver”, <https://www.amazon.com/dp/B0113116JMM>, Earliest review date of Feb. 27, 2016.

“Spigen Neo Hybrid iPhone SE Case with Flexible Inner Protection and Reinforced Hard Bumper Frame for iPhone SE 2016—Gunmetal”, <https://www.amazon.com/dp/B01BEJBBSK>, Earliest review date of Apr. 6, 2016.

“Spigen Neo Hybrid OnePlus 3 Case/OnePlus 3T Case with Flexible Inner Protection and Reinforced Hard Bumper Frame for OnePlus 3 2016—Gunmetal”, <https://www.amazon.com/dp/B01H3PF76Q>, Earliest review date of Aug. 9, 2016.

Spigen Neo Hybrid Crystal Google Pixel Case with Flexible Inner Casing and Reinforced Hard Bumper Frame for Google Pixel 2016—Gunmetal, <https://www.amazon.com/dp/B01M03SL8Y>, Earliest review date of Dec. 14, 2016.

“Spigen Neo Hybrid Crystal Google Pixel XL Case with Flexible Inner Casing and Reinforced Hard Bumper Frame for Google Pixel XL 2016—Gunmetal”, <https://www.amazon.com/dp/B01LZS6PON>, Earliest review date of Dec. 15, 2016.

“Spigen Neo Hybrid Crystal iPhone 7 Case with Flexible Inner Casing and Reinforced Hard Bumper Frame for iPhone 7 2016—Rose Gold”, <https://www.amazon.com/dp/B01GIVXVN2>, Earliest review date of Sep. 14, 2016.

“Spigen Neo Hybrid Crystal iPhone 7 Plus Case with Flexible Casing and Hard Bumper Frame for Apple iPhone 7 Plus 2016—Champagne Gold”, <https://www.amazon.com/dp/B01G1WHKXI>, Earliest review date of Sep. 8, 2016.

“Spigen Neo Hybrid Google Pixel XL Case with Flexible Inner Protection and Reinforced Hard Bumper Frame for Google Pixel XL 2016—Satin Silver”, <https://www.amazon.com/dp/B01LZW1LW3>, Earliest review date of Oct. 23, 2016.

“Spigen Neo Hybrid iPhone 7 Case with Flexible Inner Protection and Reinforced Hard Bumper Frame for iPhone 7 2016—Gunmetal”, <https://www.amazon.com/dp/B01GIVXKUG>, Earliest review date of Sep. 8, 2016.

“Spigen Neo Hybrid iPhone 7 Plus Case with Flexible Inner Protection and Hard Bumper Frame for Apple iPhone 7 Plus (2016)—Gunmetal”, <https://www.amazon.com/dp/B01G1WH6H8>, Earliest review date of Sep. 14, 2016.

“Spigen Neo Hybrid iPhone 6S Case with Flexible Inner Protection and Reinforced Hard Bumper Frame for iPhone 6S 2015—Gunmetal”, <https://www.amazon.com/dp/B010MVIZTE>, Earliest review date of Sep. 1, 2015.

* cited by examiner

Primary Examiner — Carla J Wright

(74) *Attorney, Agent, or Firm* — Heedong Chae; Lucem, PC

(57) **CLAIM**

The ornamental design for a case for electronic communications device, as shown and described.

DESCRIPTION

FIG. 1 is a front perspective view of a case for electronic communications device being comprised of an outer frame showing my new design;

FIG. 2 is a rear perspective view thereof;

FIG. 3 is a front elevational view thereof;

FIG. 4 is a rear elevational view thereof;

FIG. 5 is a left side elevational view thereof;

FIG. 6 is a right side elevational view thereof;

FIG. 7 is a top plan view thereof;

FIG. 8 is a bottom plan view thereof;

FIG. 9 is a front perspective view showing the inner shell component of the case separately for clarity of disclosure;

FIG. 10 is a rear perspective view showing the inner shell component of the case separately for clarity of disclosure;

FIG. 11 is a front perspective view showing the outer frame component of the case separately for clarity of disclosure;

FIG. 12 is a rear perspective view showing the outer frame component of the case separately for clarity of disclosure;

FIG. 13 is an exploded front perspective view, showing the components of the case separated for clarity of disclosure;

FIG. 14 is an exploded rear perspective view showing the components of the case separated for clarity of disclosure;

FIG. 15 is an enlarged detail view of the encircled portion of the design from FIG. 2; and,

FIG. 16 is an enlarged detail view of the encircled portion of the design from FIG. 4.

Although the case for electronic communications device, in which the claimed design is embodied, consists of an inner shell component and an outer frame component, the claim is directed to the ornamental appearance of the case for electronic communications device in its entirety and does not extend to the ornamental appearance of each of the individual components of the case for electronic communications device.

The dot-dash broken line circles in FIGS. 2, 4, 15, and 16, delineate portions of the claimed design that are shown on an enlarged scale in FIGS. 15 and 16. The dashed broken lines throughout the drawing figures depict portions of the case for electronic communications device that form no part of the claimed design. The interior of the inner shell of the case shown in FIGS. 1, 3, 9, and 13 forms no part of the claimed design. The broken lines and regions bounded by dashed broken lines form no part of the claimed design.

1 Claim, 16 Drawing Sheets

FIG. 1

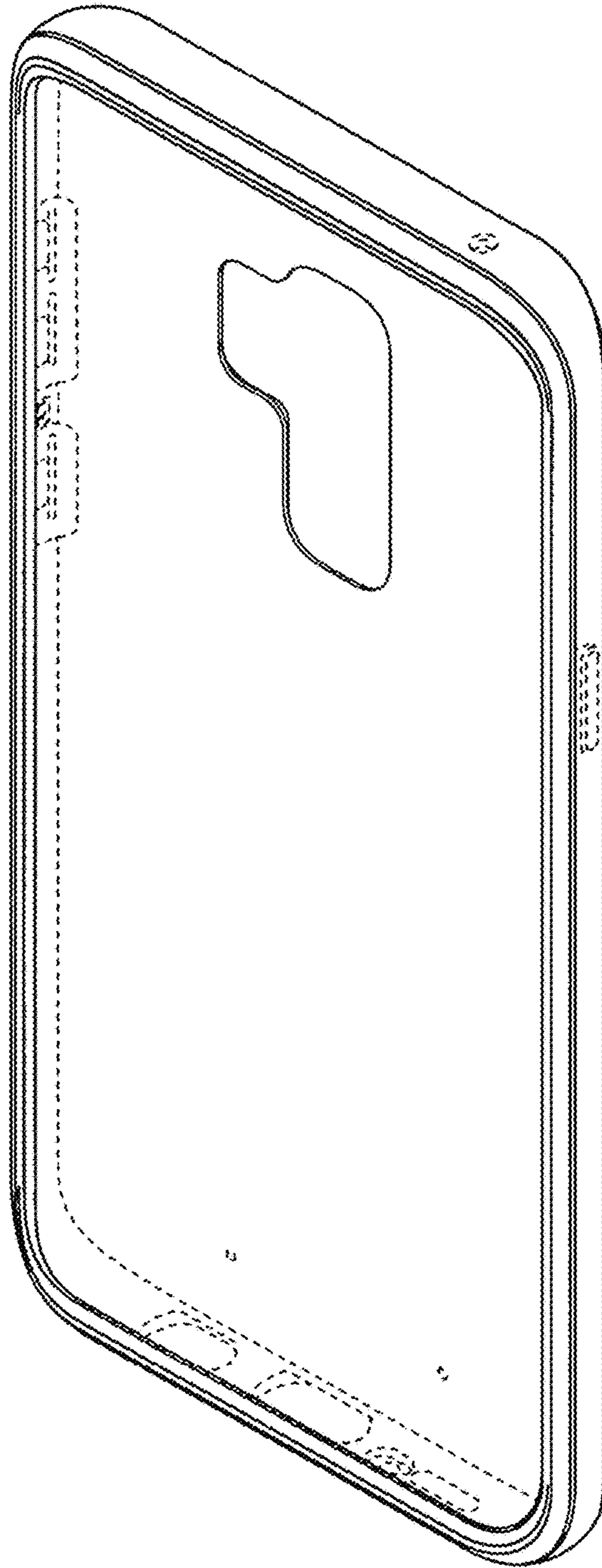


FIG. 2

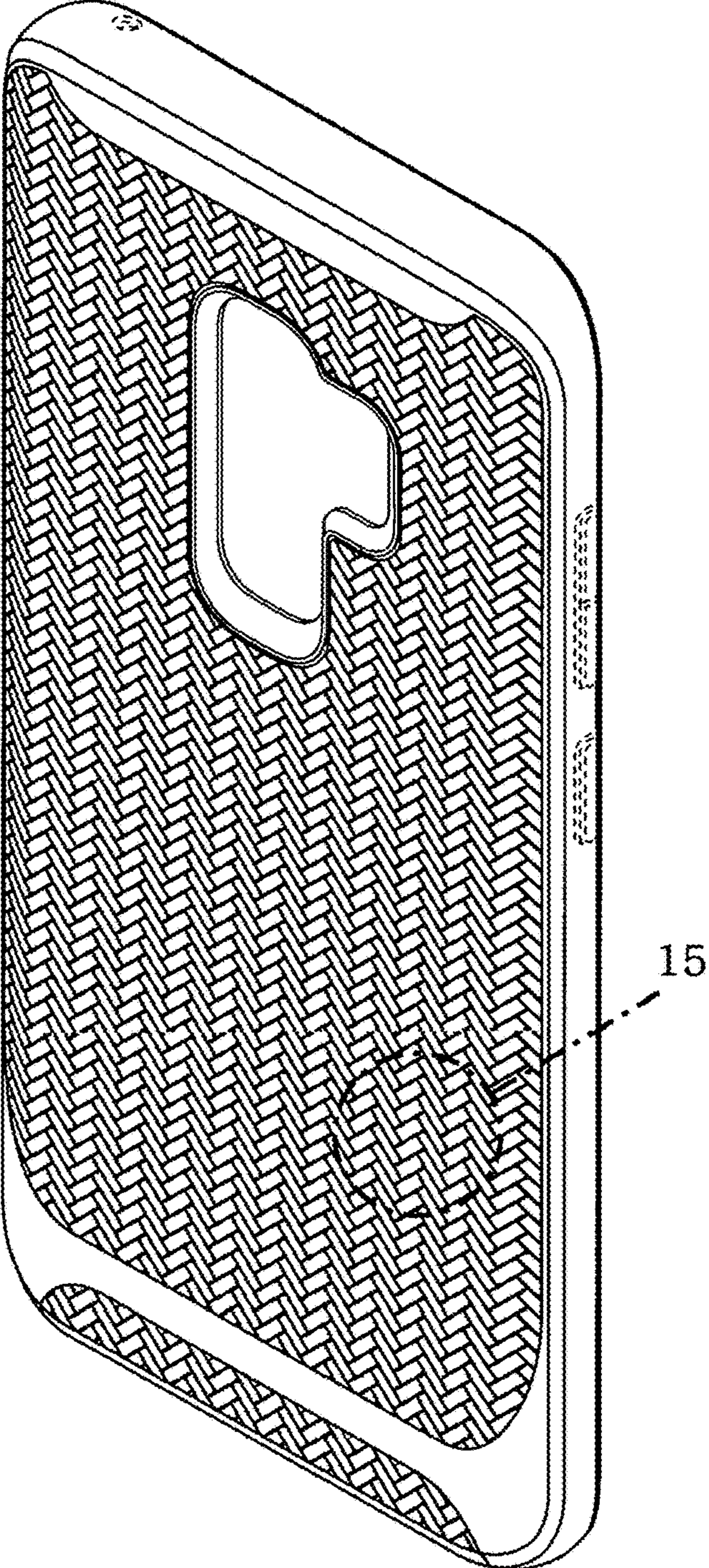


FIG. 3

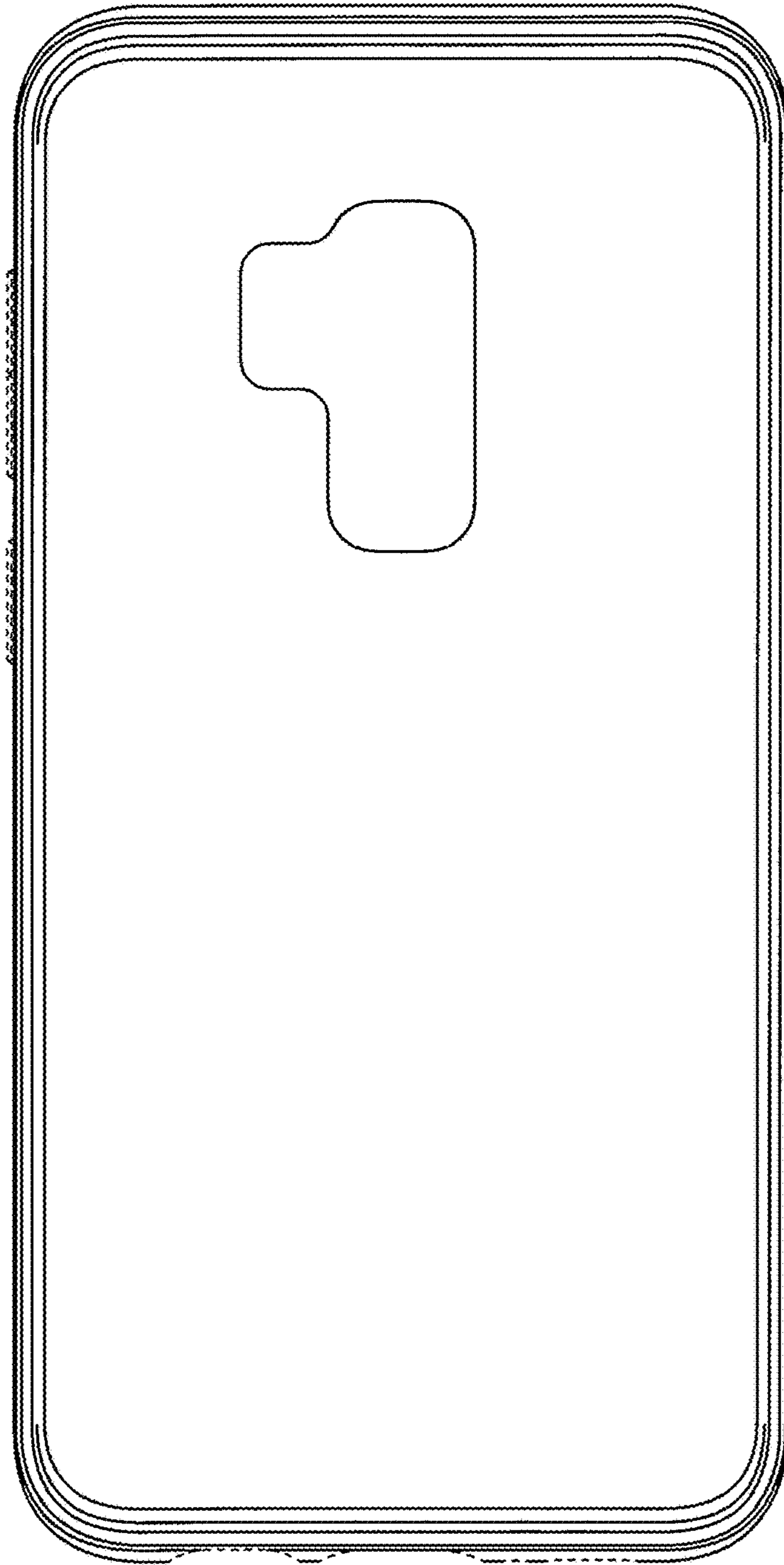


FIG. 4

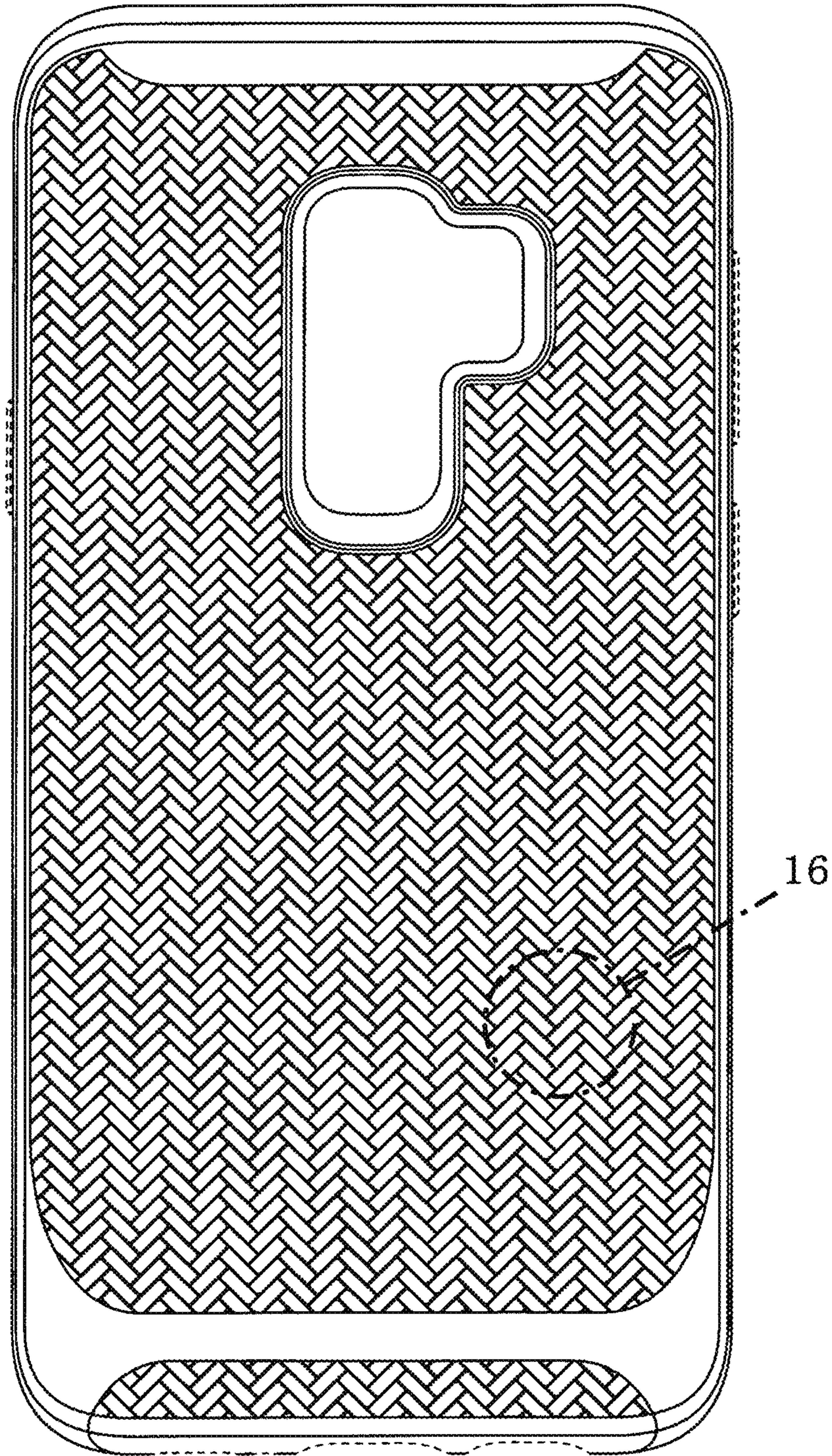


FIG. 5

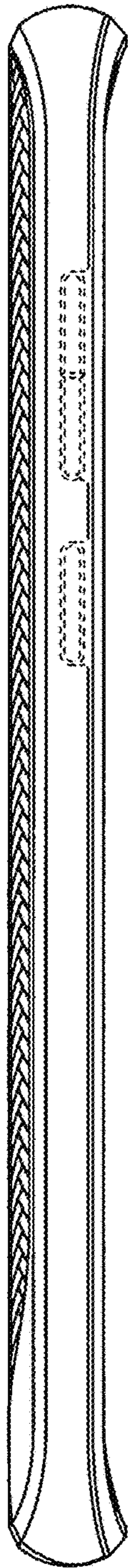


FIG. 6

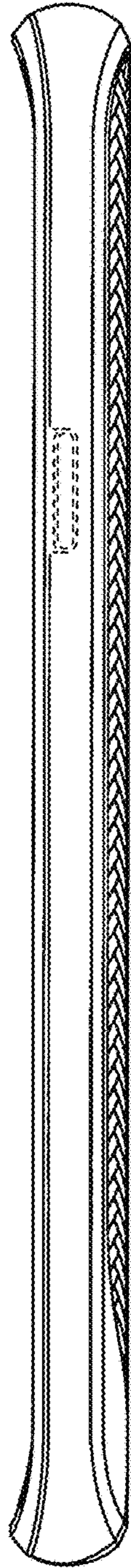


FIG. 7

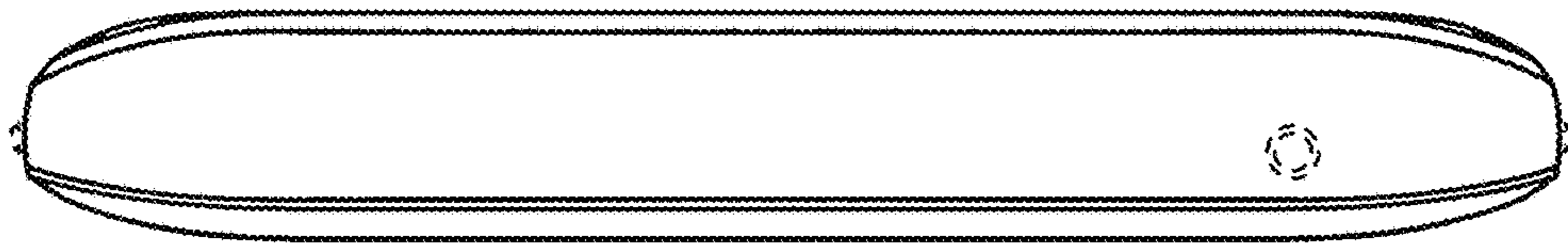


FIG. 8

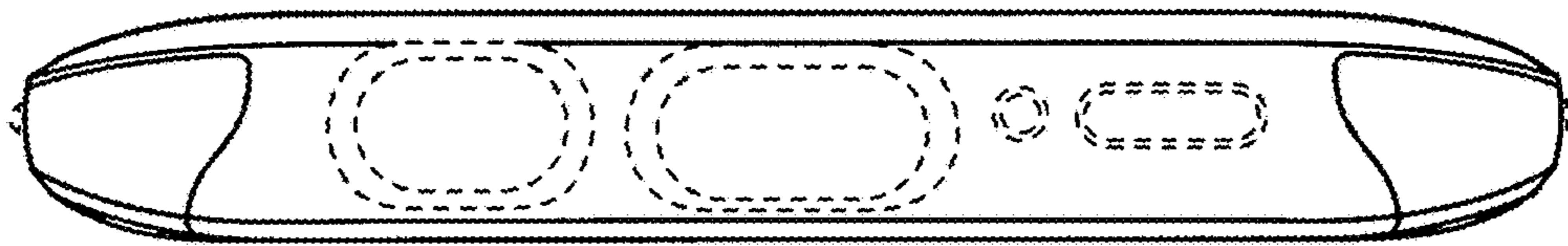


FIG. 9

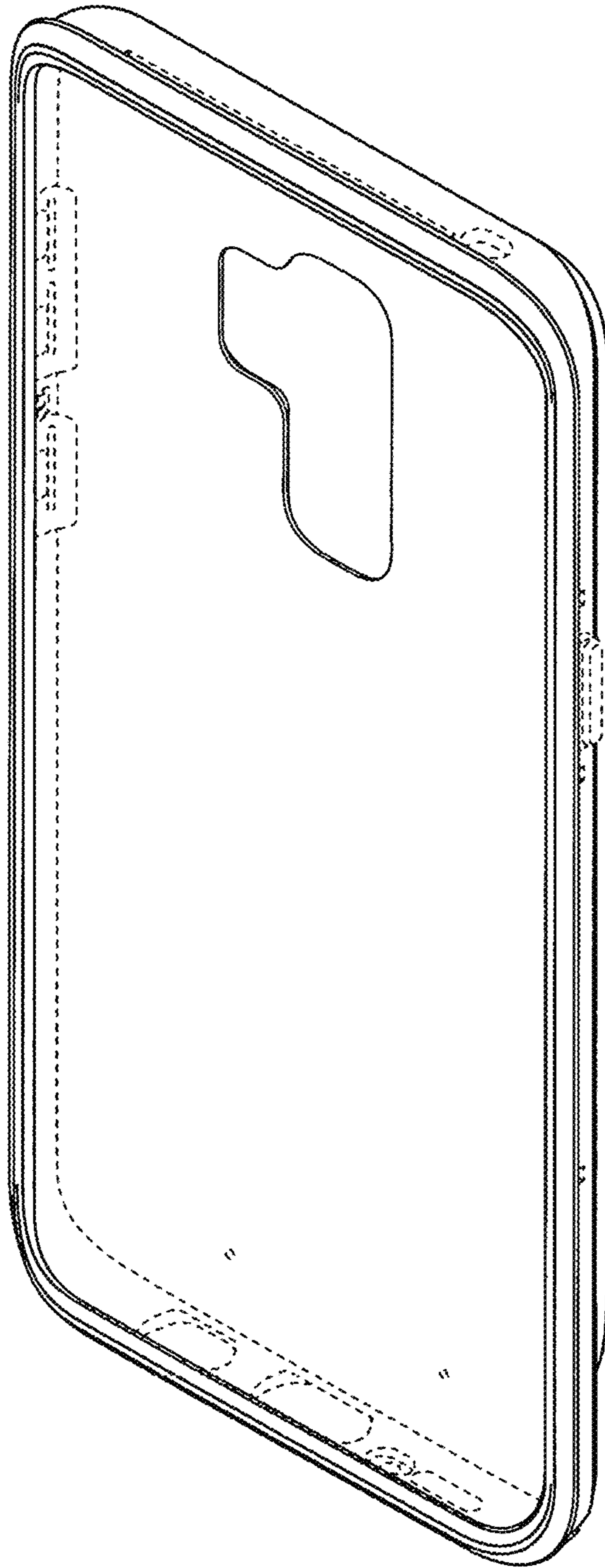


FIG. 10

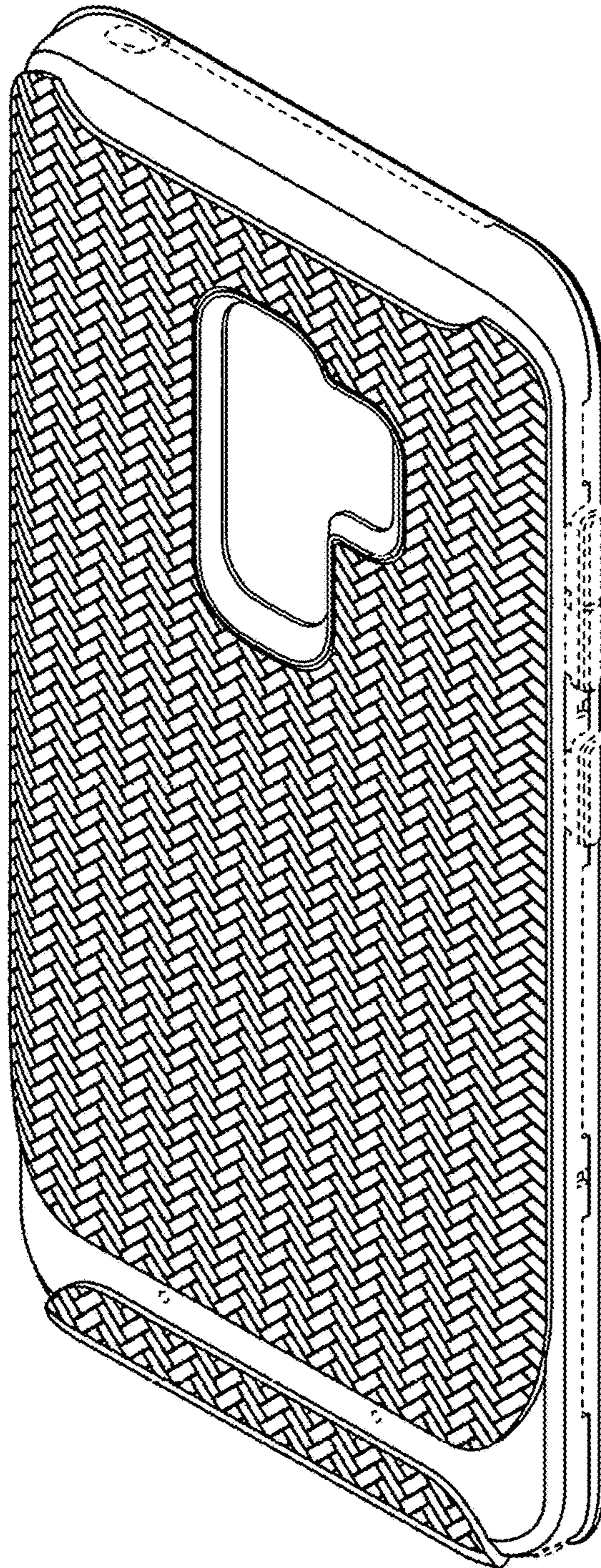


FIG. 11

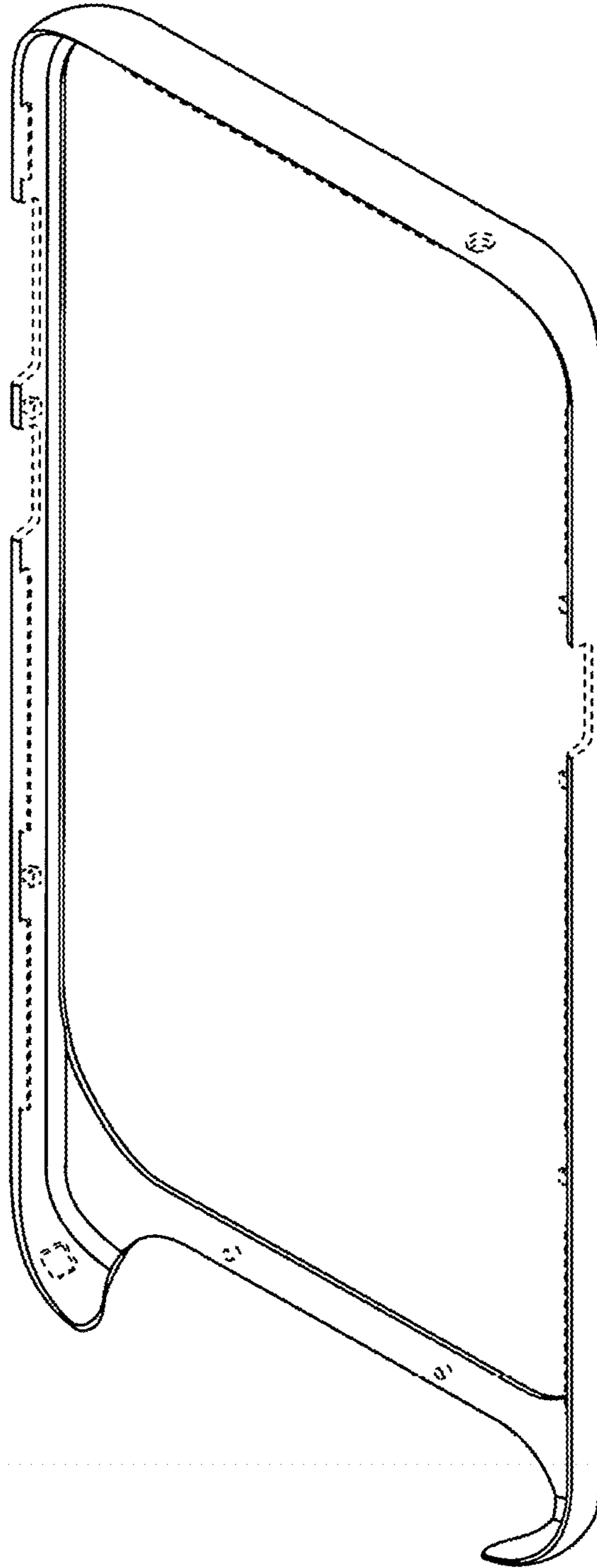


FIG. 12

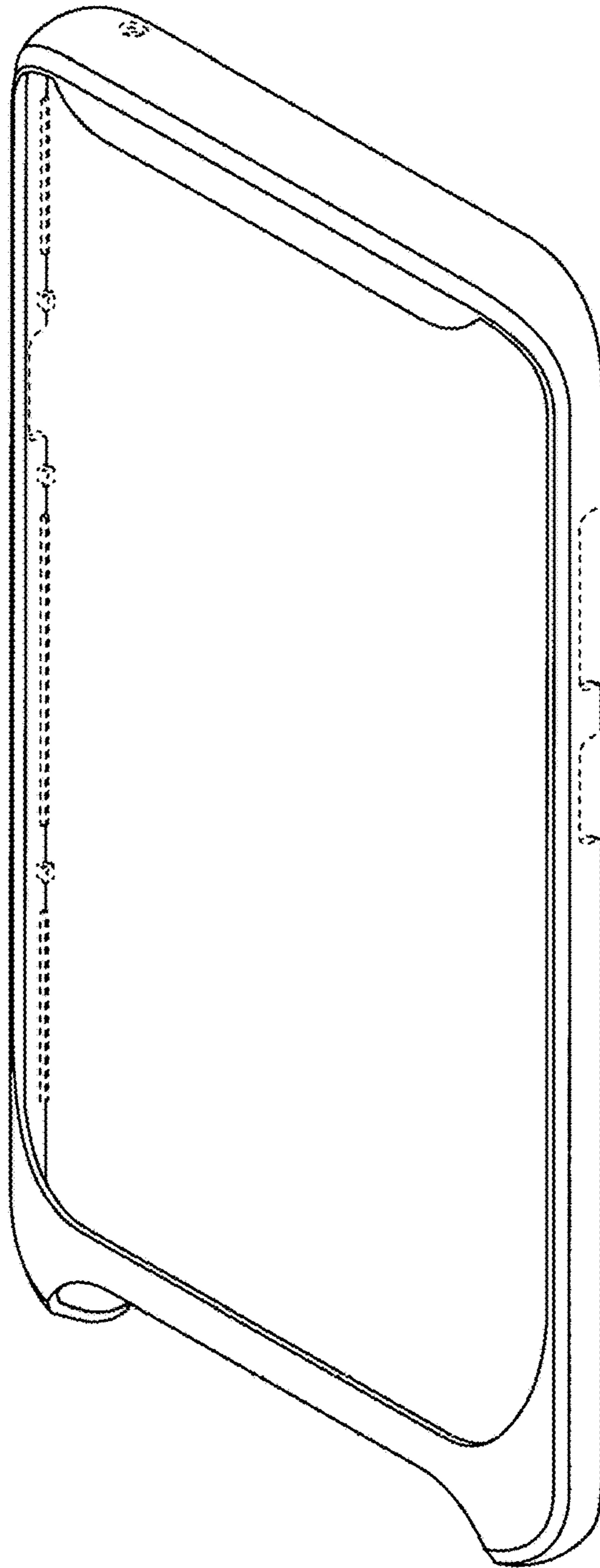


FIG. 13

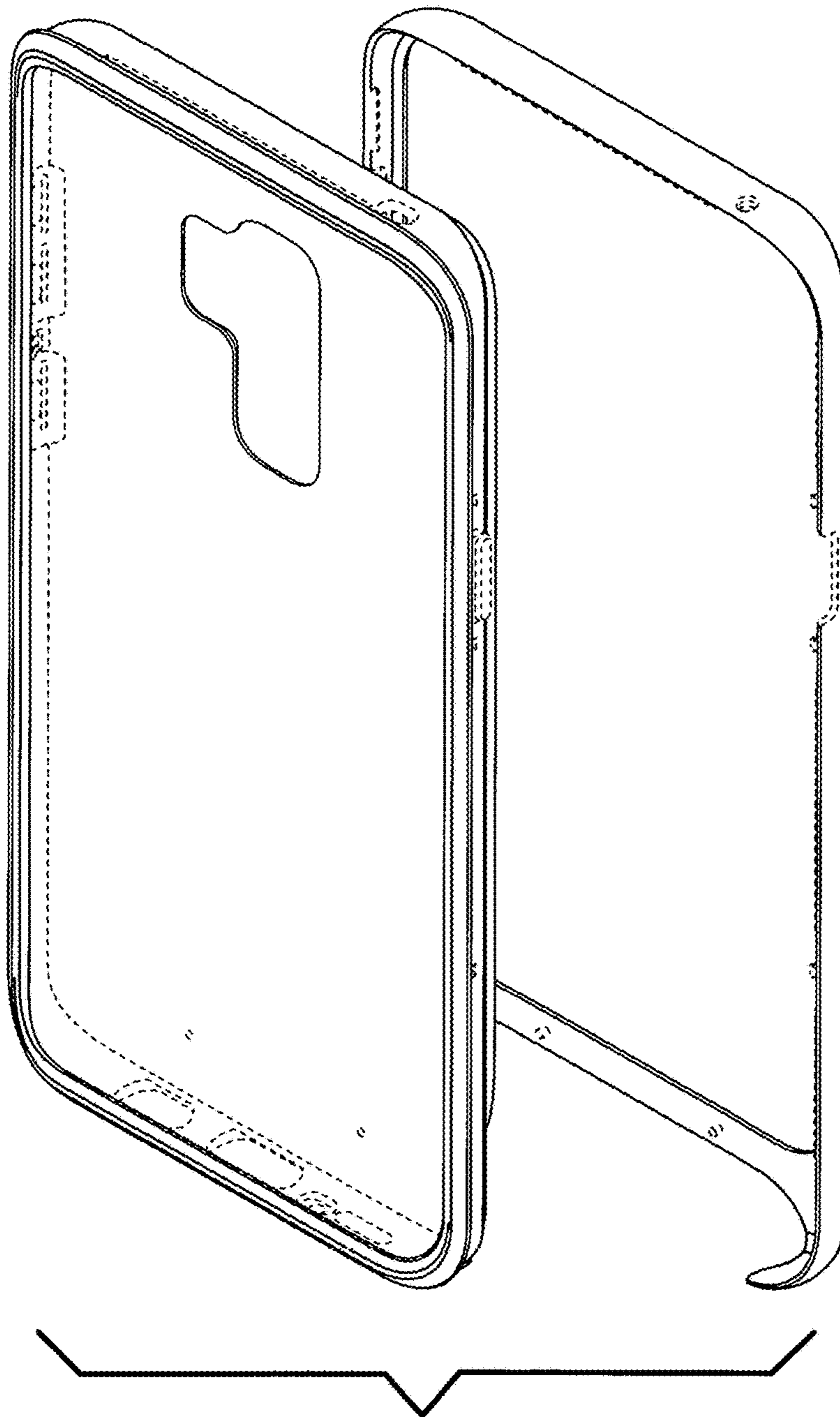


FIG. 14

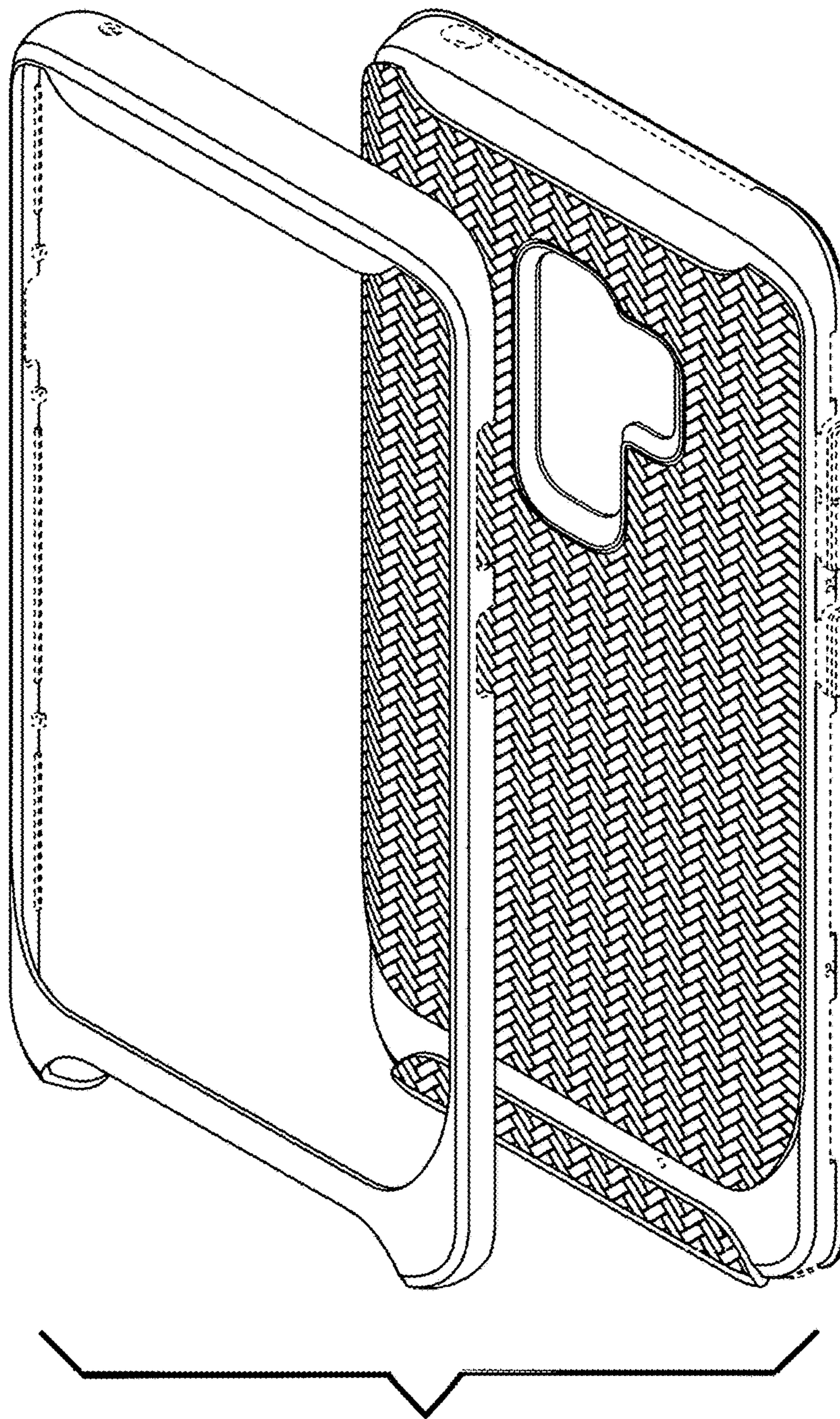


FIG. 15

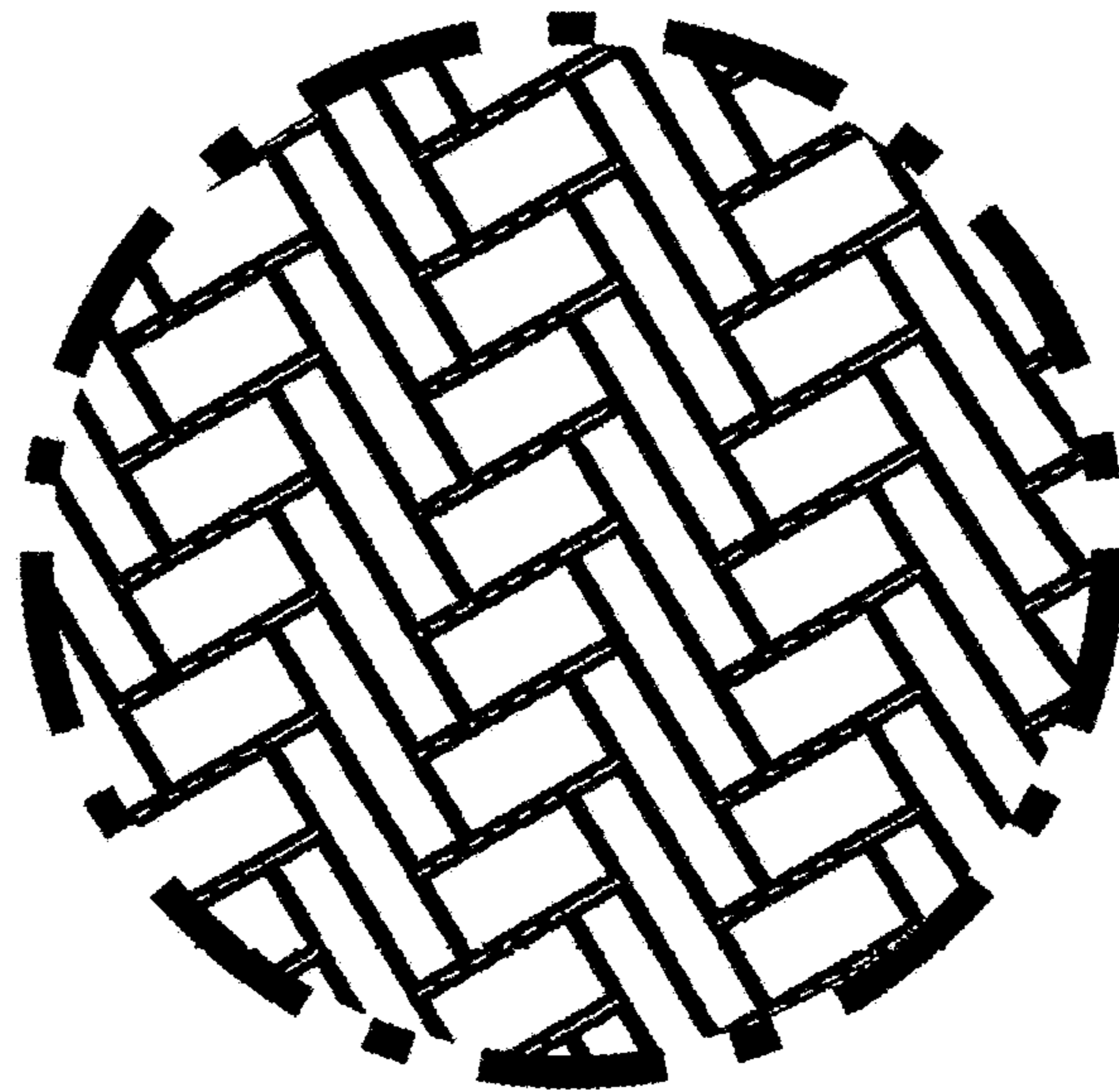


FIG. 16

