



US00D851634S

(12) **United States Design Patent** (10) **Patent No.:** **US D851,634 S**
Plahn (45) **Date of Patent:** **** Jun. 18, 2019**

(54) **STAND FOR SCREENS**

(56) **References Cited**

(71) Applicant: **SMS-Smart Media Solutions AB,**
Nacka (SE)

U.S. PATENT DOCUMENTS

(72) Inventor: **Diana Plahn,** Uppsala (SE)

D695,285 S *	12/2013	Smith	D14/307
D697,919 S *	1/2014	Gelsomini	D14/447
D717,289 S *	11/2014	Takabatake	D14/252
D771,633 S *	11/2016	Xiang	D14/451
D786,883 S *	5/2017	Chen	D14/239
D788,762 S *	6/2017	Kim	D14/250
D789,348 S *	6/2017	Kim	D14/250
D806,450 S *	1/2018	Seong	D6/672

(73) Assignee: **SMS-Smart Media Solutions AB,**
Nacka (SE)

(**) Term: **15 Years**

* cited by examiner

(21) Appl. No.: **29/610,676**

Primary Examiner — Randall H Gholson

(22) Filed: **Jul. 14, 2017**

(74) *Attorney, Agent, or Firm* — Studebaker & Brackett
PC

(30) **Foreign Application Priority Data**

Jan. 16, 2017 (EM) 003641067

(51) **LOC (11) Cl.** **14-03**

(52) **U.S. Cl.**
USPC **D14/239**

(57) **CLAIM**

The ornamental design for stand for screens, as shown and described.

(58) **Field of Classification Search**

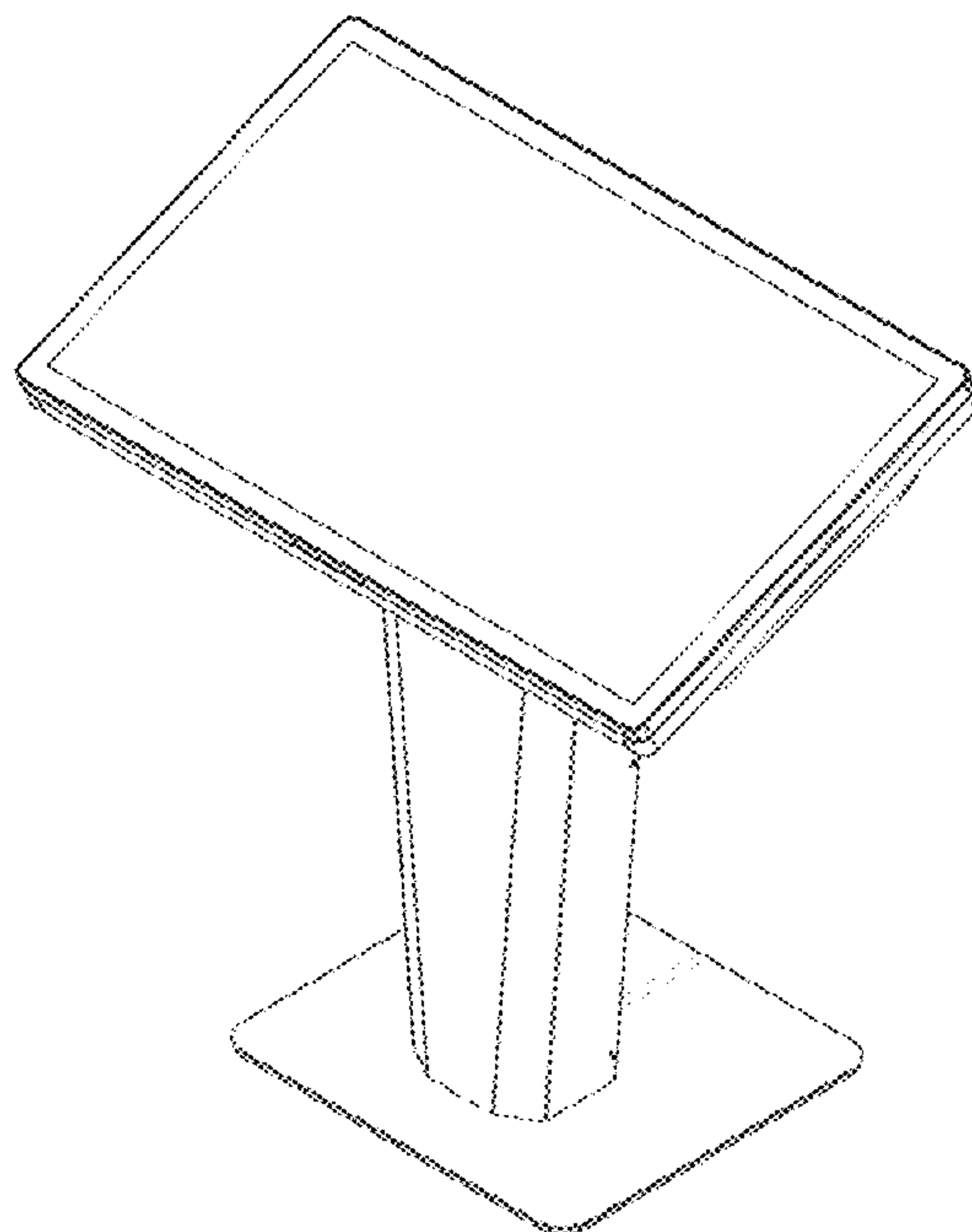
USPC D3/218; D6/406.3, 406.4, 406.5, 406.6;
D8/373; D14/217, 239, 250–251, 253,
D14/432, 434, 439–440, 447, 451–452,
D14/457; D26/93
CPC A45C 2011/003; A45C 2011/002; A45C
13/002; A47B 2021/0307; A47B
2023/005; A47B 2023/049; A47B
2097/005; A47B 2097/006; A47B 21/04;
A47B 23/00; A47B 23/043; F16M
2200/00; H04B 1/3888; H04M 1/04;
H04M 1/185

DESCRIPTION

FIG. 1 is a front perspective view showing my new design for stand for screens,
FIG. 2 is a front view thereof,
FIG. 3 is a right side view thereof,
FIG. 4 is a left side view thereof,
FIG. 5 is a rear view thereof,
FIG. 6 is a top view thereof; and,
FIG. 7 is a bottom view thereof.
The broken lines are for illustrative purposes only and form no part of the claimed design.

See application file for complete search history.

1 Claim, 7 Drawing Sheets



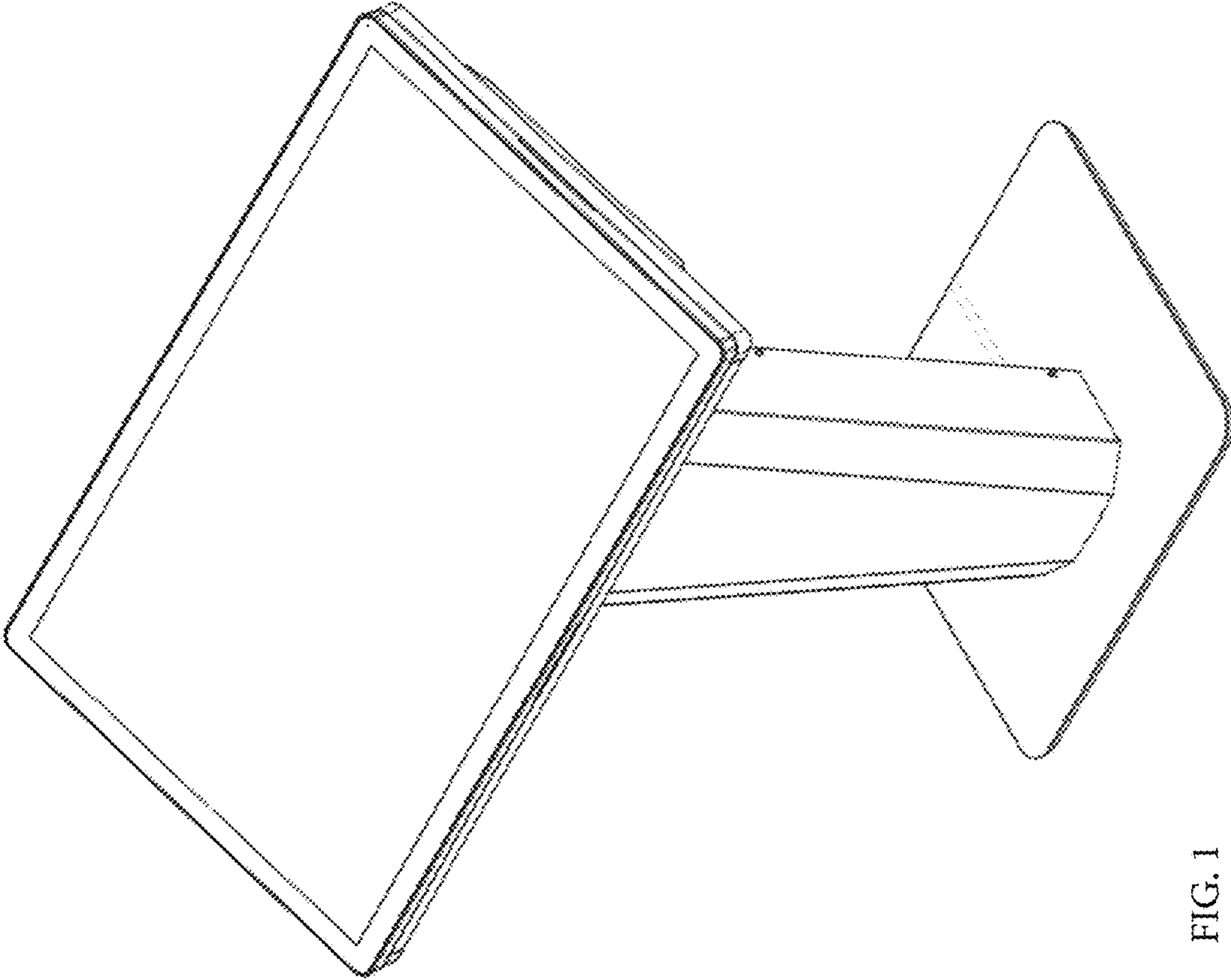


FIG. 1

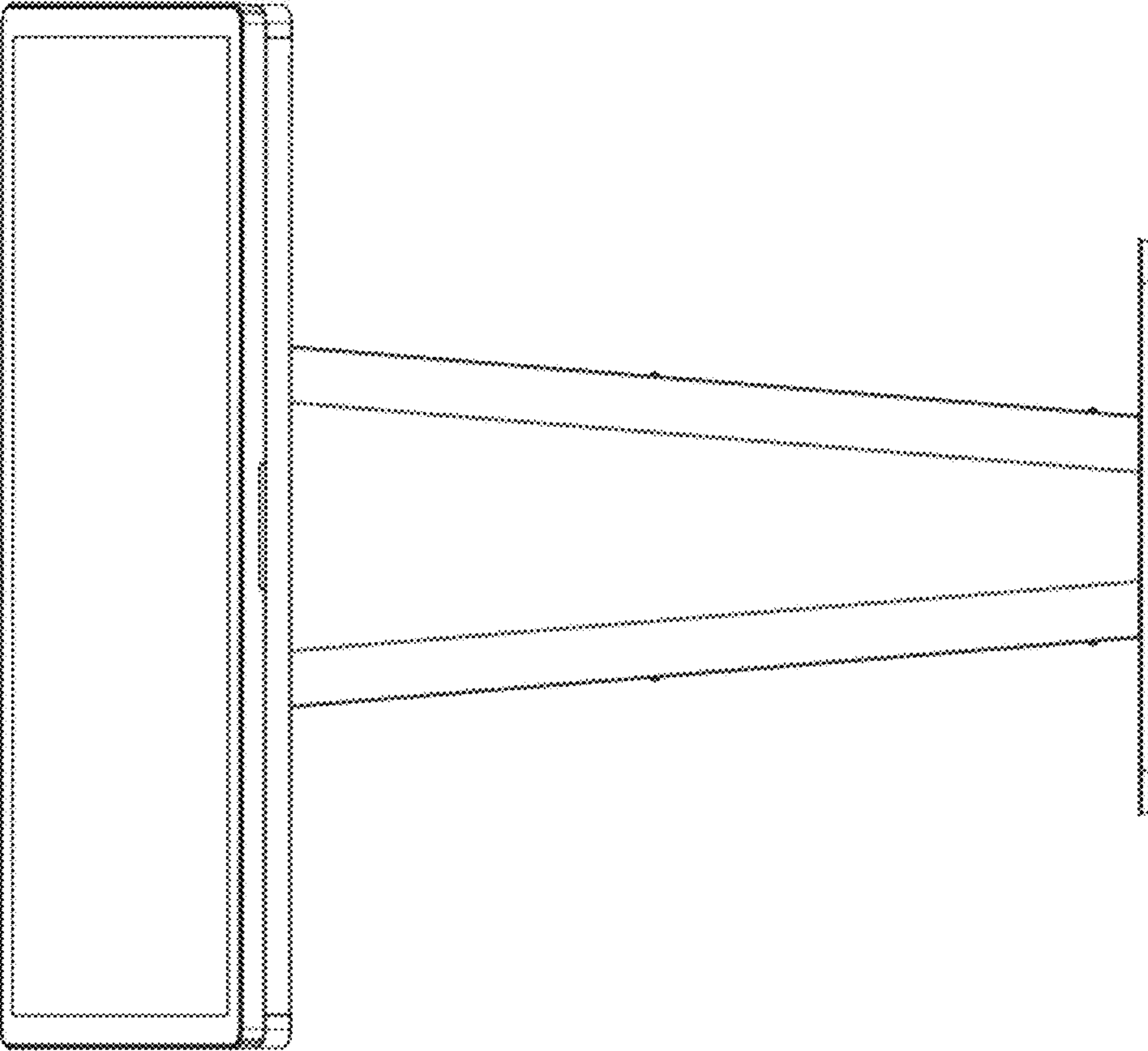


FIG. 2

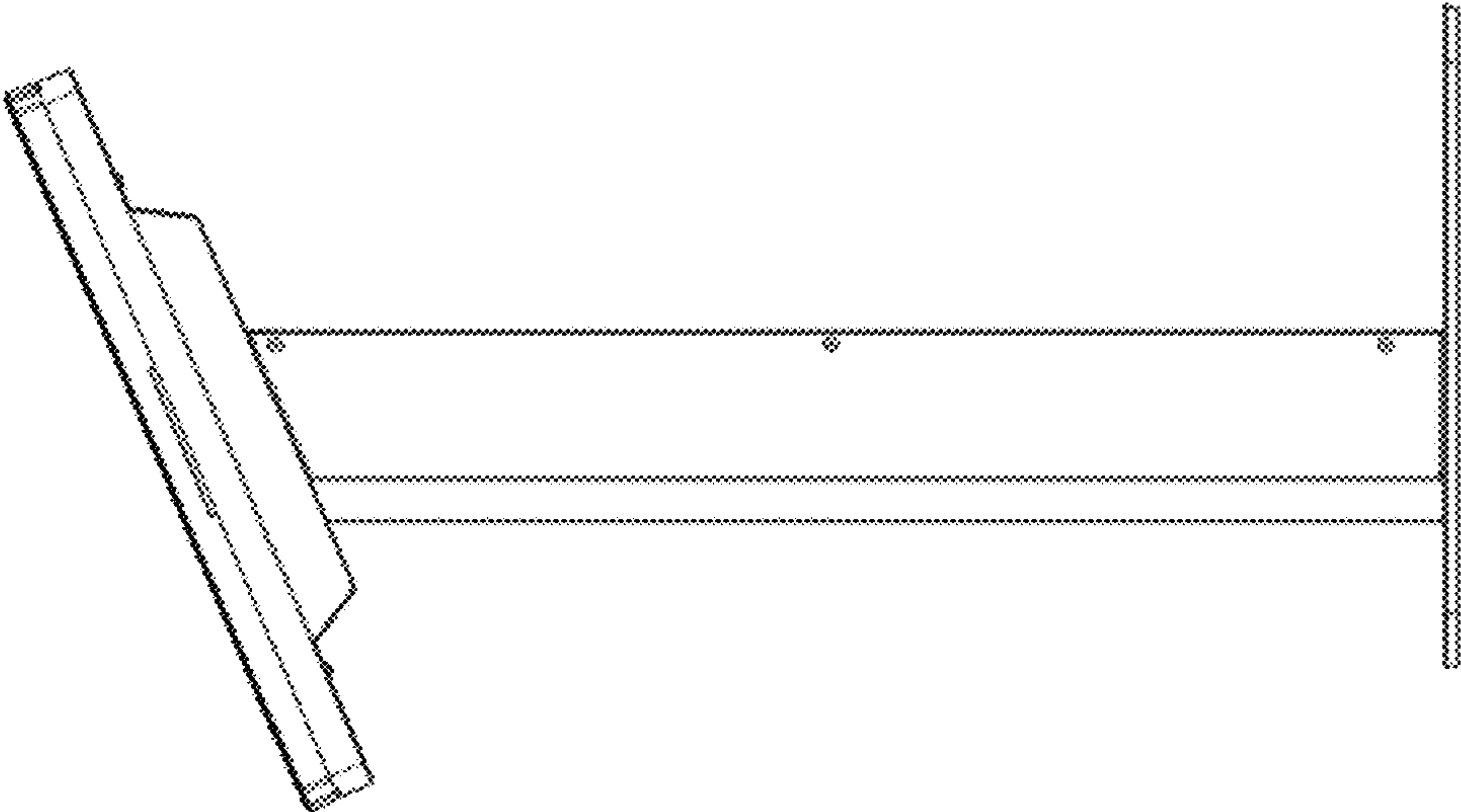


FIG. 3

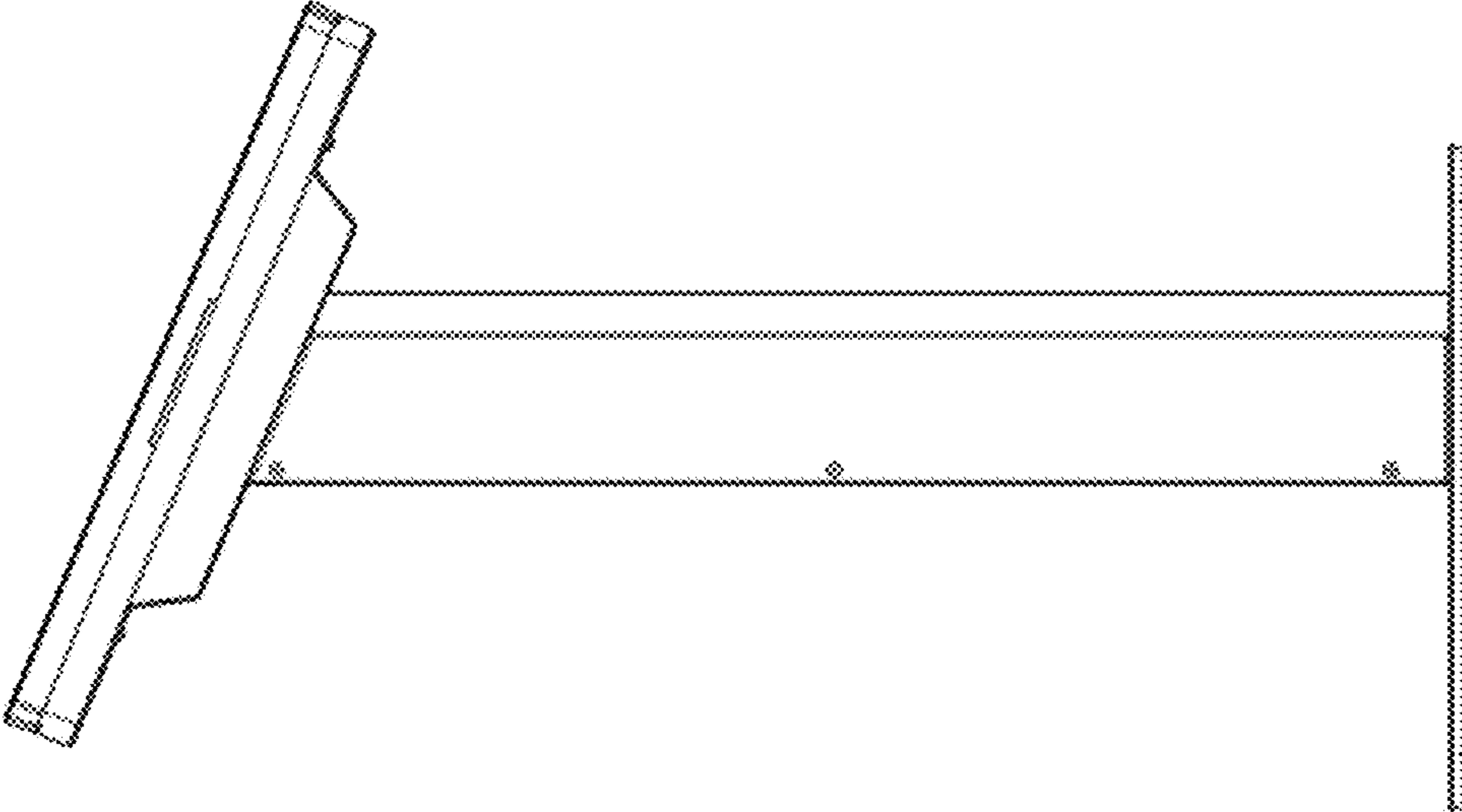


FIG. 4

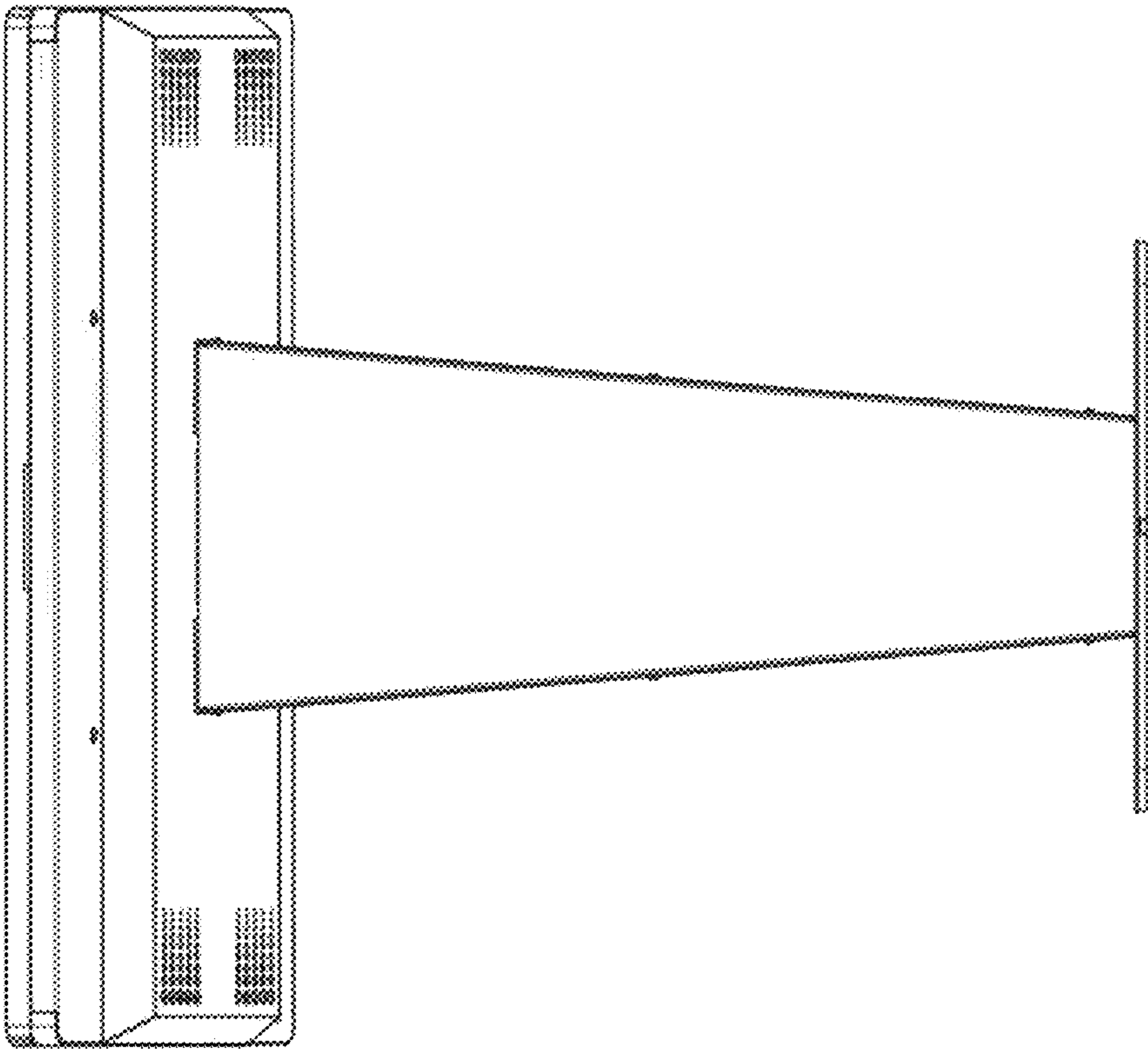


FIG. 5

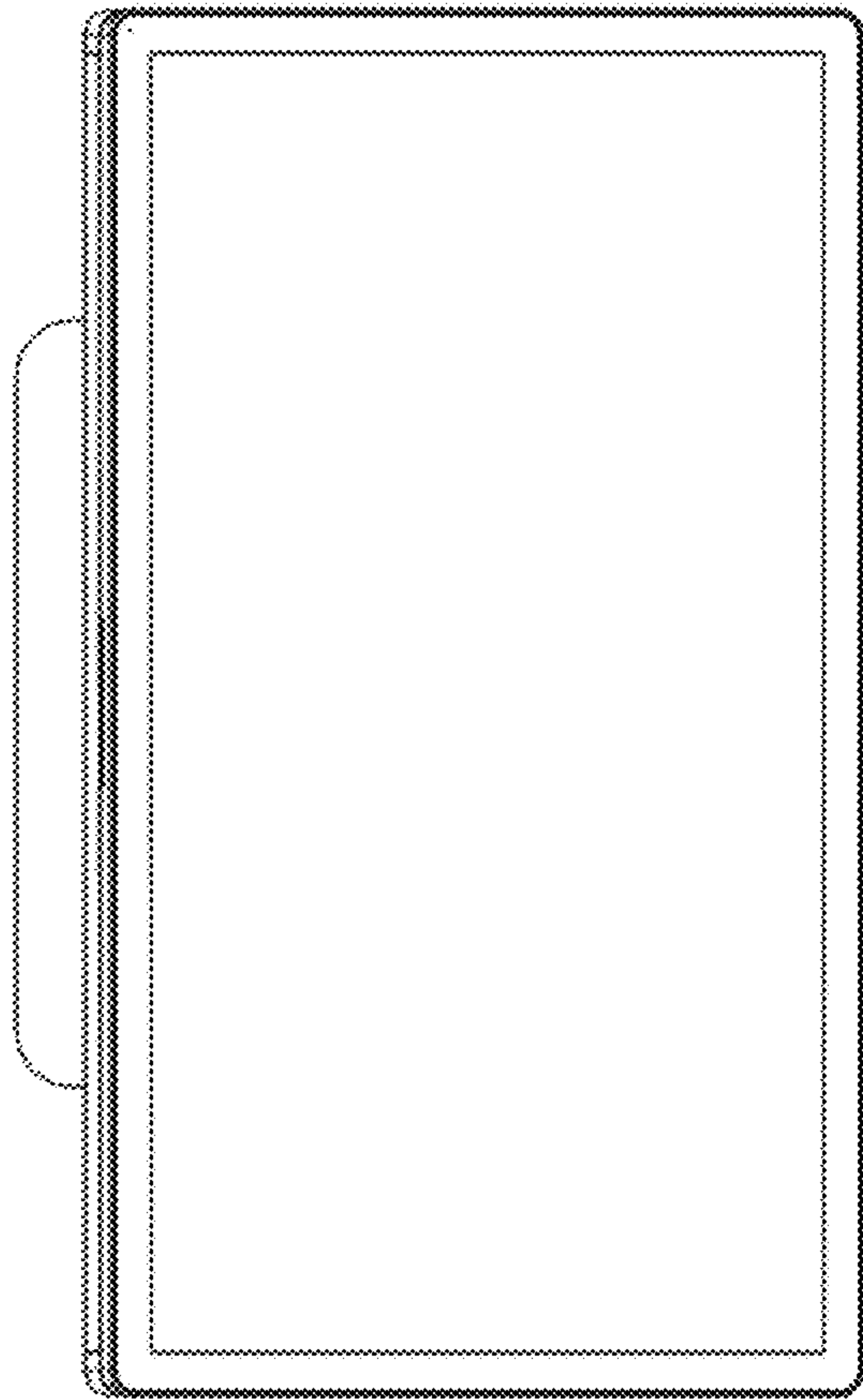


FIG. 6

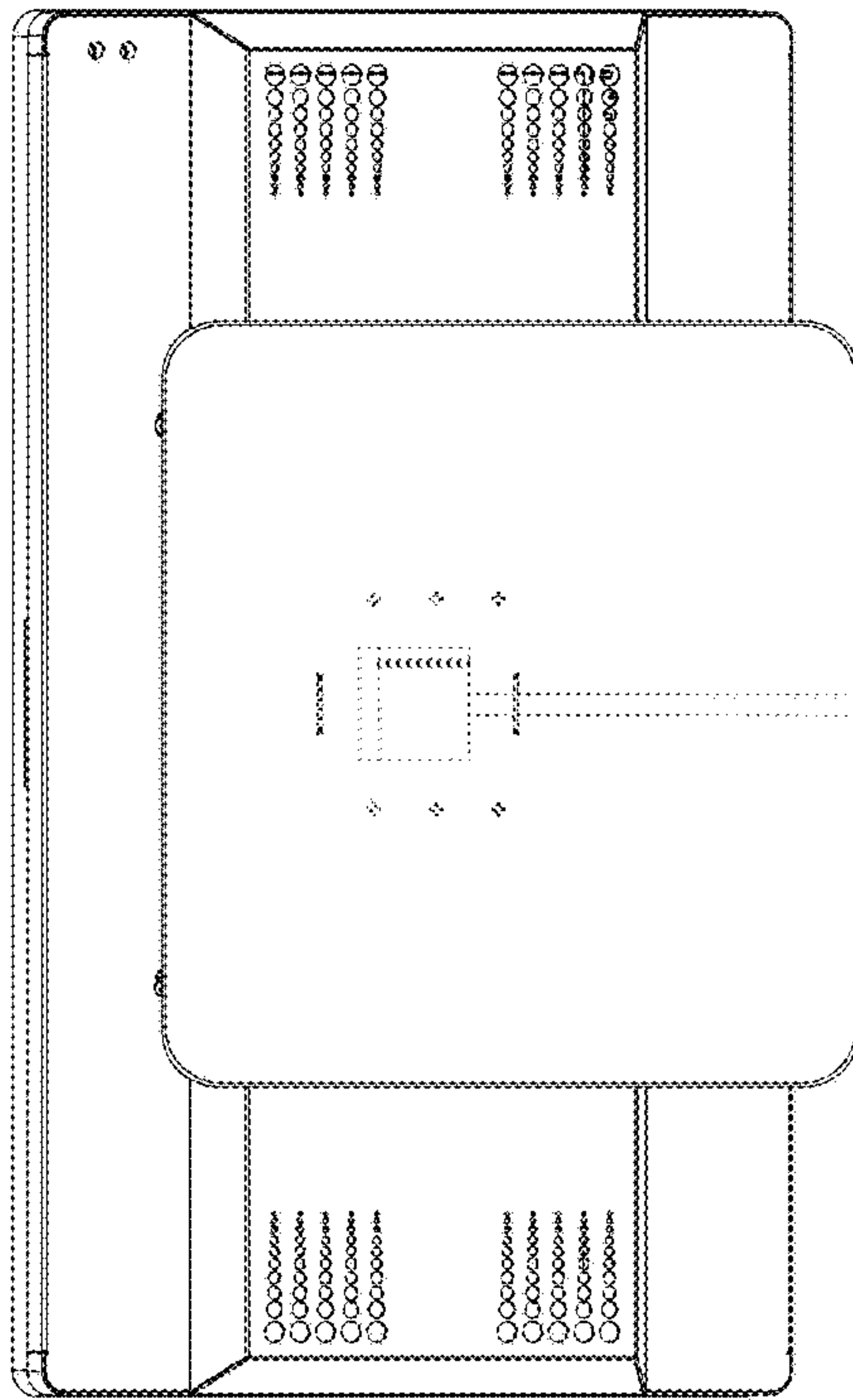


FIG. 7