



US00D851628S

(12) **United States Design Patent**
Wernblad et al.

(10) **Patent No.:** **US D851,628 S**
(45) **Date of Patent:** **** Jun. 18, 2019**

(54) **HEADSET INCLUDING A HEADBAND**

(71) Applicant: **Sennheiser Communications A/S,**
Ballerup (DK)

(72) Inventors: **Sivert Wernblad,** Ballerup (DK); **Jens Brandt Kofod,** Ballerup (DK)

(73) Assignee: **SENNHEISER COMMUNICATIONS A/S,** Ballerup (DK)

(**) Term: **15 Years**

(21) Appl. No.: **29/613,143**

(22) Filed: **Aug. 8, 2017**

(30) **Foreign Application Priority Data**

Feb. 9, 2017 (EM) 003745116-0001
Feb. 9, 2017 (EM) 003745116-0002

(51) **LOC (11) Cl.** **14-01**

(52) **U.S. Cl.**
USPC **D14/206; D14/226**

(58) **Field of Classification Search**
USPC D14/206, 205, 248, 249, 25, 226, 224;
181/129, 130, 135; 379/430, 431;
381/380, 381, 370, 371; 455/90.3, 575.1,
455/569.1
CPC H04R 1/10; H04R 1/1091; H04R 1/1041;
H04R 5/033; H04R 5/0335; H04R
1/1016; H04R 25/00
See application file for complete search history.

(56) **References Cited**

U.S. PATENT DOCUMENTS

D321,879 S * 11/1991 Emmerling D14/188
D337,116 S * 7/1993 Hattori D14/206
D340,033 S * 10/1993 Okumura D14/192

D342,947 S * 1/1994 Totsuka D14/192
D345,162 S * 3/1994 Yamatogi D14/205
D346,380 S * 4/1994 Fitzgerald D14/138 R
5,469,505 A * 11/1995 Gatley H04M 1/05
379/430
D377,020 S * 12/1996 Bungardt D14/205
D394,436 S * 5/1998 Hall D14/206
D394,437 S * 5/1998 Landreth D14/206
5,793,878 A * 8/1998 Chang H04R 5/0335
381/370
D410,921 S * 6/1999 Luchs D14/142
D427,994 S * 7/2000 Pirelli D14/223
6,154,539 A * 11/2000 Pitel H04M 1/05
379/430
D436,348 S * 1/2001 McGugan D14/142
D451,903 S * 12/2001 Amae D14/206

(Continued)

Primary Examiner — Paula Allen Greene

(74) *Attorney, Agent, or Firm* — Birch, Stewart, Kolasch & Birch, LLP

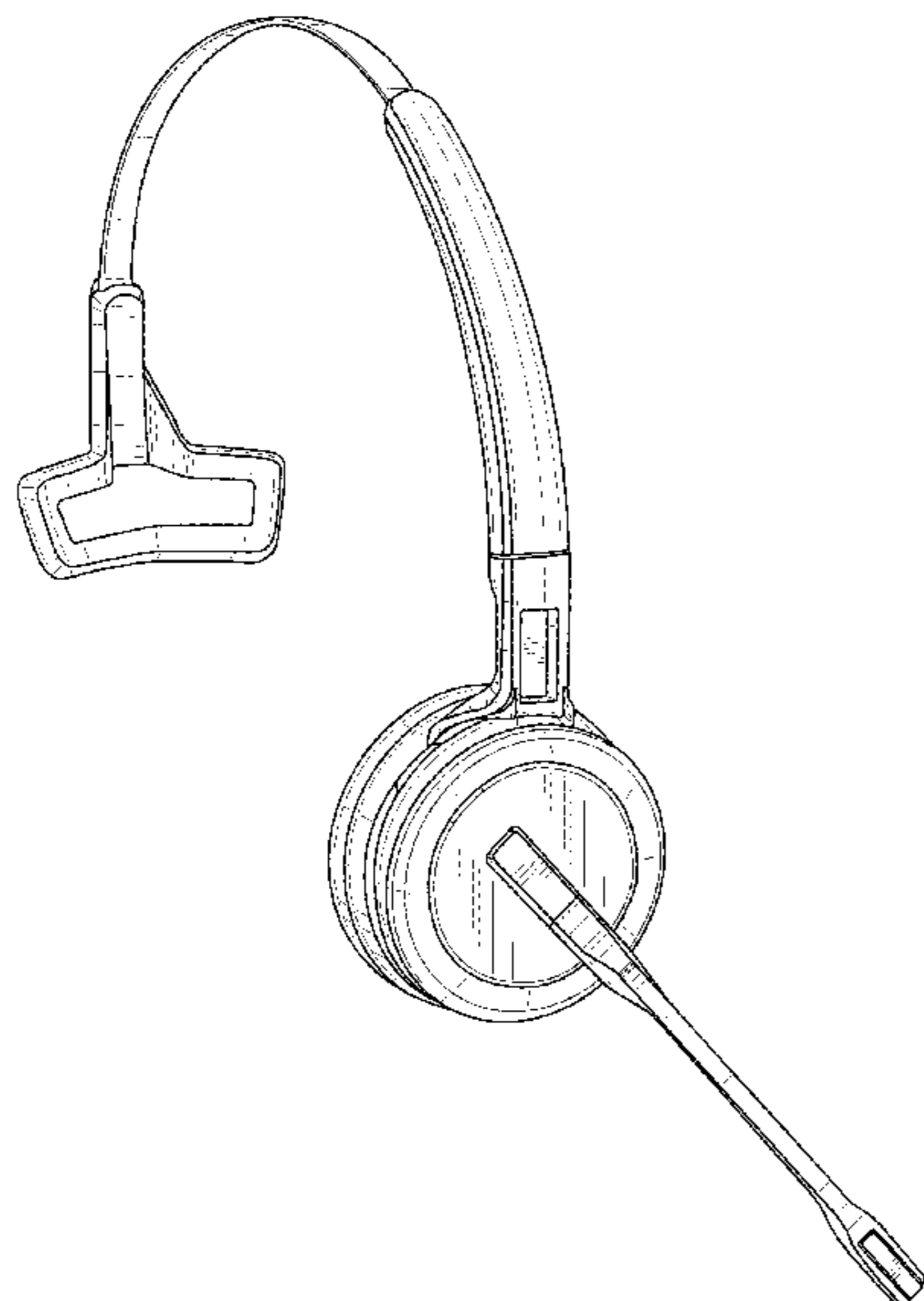
(57) **CLAIM**

The ornamental design for a headset including a headband, as shown and described.

DESCRIPTION

FIG. 1 is a perspective view of the headset including a headband;
FIG. 2 is another perspective view of the headset including a headband;
FIG. 3 is a front view of the headset including a headband;
FIG. 4 is a rear view of the headset including a headband;
FIG. 5 is a right side view of the headset including a headband;
FIG. 6 is a left side view of the headset including a headband;
FIG. 7 is a top view of the headset including a headband;
and,
FIG. 8 is bottom view of the headset including a headband.

1 Claim, 8 Drawing Sheets



(56)

References Cited

U.S. PATENT DOCUMENTS

D451,906 S * 12/2001 Amae D14/223
6,356,635 B1 * 3/2002 Lyman H04M 1/05
379/430
D457,155 S * 5/2002 Skulley D14/206
D457,513 S * 5/2002 Pirelli D14/223
D482,019 S * 11/2003 Petersen D14/206
D494,154 S * 8/2004 Polito D14/206
D494,957 S * 8/2004 Rath D14/206
D498,470 S * 11/2004 Skulley D14/206
D505,413 S * 5/2005 Skulley D14/223
6,952,481 B2 * 10/2005 Larsen H04M 1/05
379/430
6,965,681 B2 * 11/2005 Almqvist H04R 1/1041
381/371
D514,086 S * 1/2006 Skulley D14/206
D517,528 S * 3/2006 Skulley D14/206
7,106,873 B1 * 9/2006 Harrison H04R 25/456
381/330
D530,307 S * 10/2006 Rath D14/206
D530,702 S * 10/2006 Pritchard D14/206
D531,165 S * 10/2006 Rath D14/206
D535,285 S * 1/2007 Skulley D14/205
D538,785 S * 3/2007 Skulley D14/206
D540,778 S * 4/2007 Thompson D14/206
7,391,863 B2 * 6/2008 Viduya H04M 1/05
379/430
D587,683 S * 3/2009 Ham D14/205
D587,684 S * 3/2009 Ham D14/205
7,519,196 B2 * 4/2009 Bech H04R 1/105
381/370

D601,543 S * 10/2009 Bentley D14/206
D602,001 S * 10/2009 Bentley D14/206
D602,002 S * 10/2009 Asai D14/206
D612,835 S * 3/2010 Yang D14/206
D628,189 S * 11/2010 Rath D14/206
D638,000 S * 5/2011 Hoggarth D14/206
D641,337 S * 7/2011 Brandis D14/206
D643,405 S * 8/2011 Rath D14/206
D645,023 S * 9/2011 Brandis D14/206
D648,330 S * 11/2011 Fischer D14/226
8,061,473 B1 * 11/2011 Kerr A61F 11/008
181/135
D653,649 S * 2/2012 Yang D14/206
D668,240 S * 10/2012 Brandis D14/206
D673,524 S * 1/2013 Brennwald D14/206
D681,014 S * 4/2013 Ham D14/206
D684,145 S * 6/2013 Rath D14/206
D712,875 S * 9/2014 Katori D14/206
D716,259 S * 10/2014 Awiszus D14/206
D719,135 S * 12/2014 Kelley D14/205
D732,002 S * 6/2015 Goransson D14/206
D760,690 S * 7/2016 Gecawicz D14/206
9,426,554 B2 * 8/2016 Dai H04R 1/105
D806,676 S * 1/2018 Fuglsang D14/206
D822,638 S * 7/2018 Liu D14/206
2011/0135134 A1 * 6/2011 Essabar H04R 1/1025
381/374
2012/0163616 A1 * 6/2012 Birch H04M 1/6058
381/74
2016/0198254 A1 * 7/2016 Gecawicz H04R 1/083
381/375

* cited by examiner

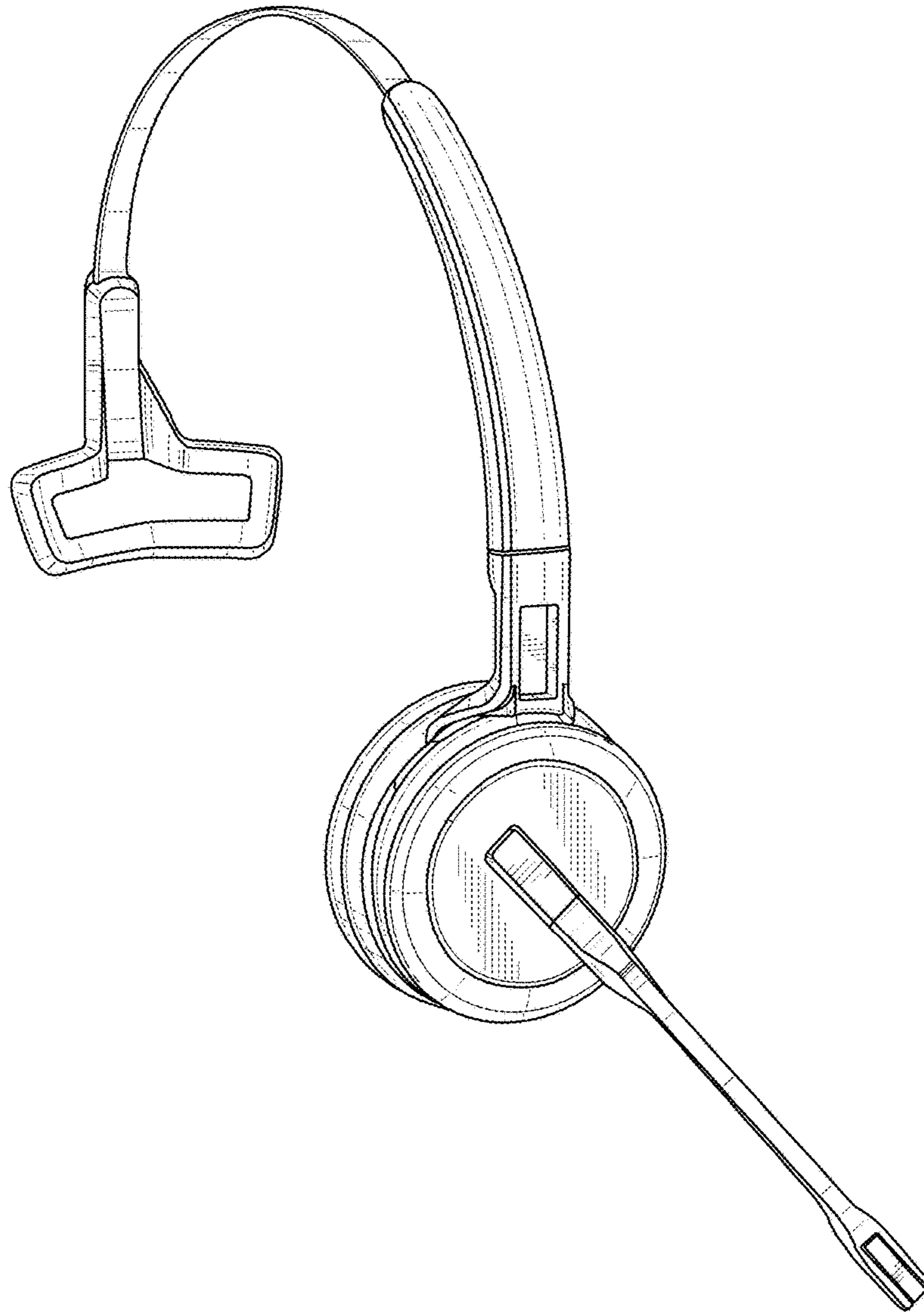


FIG. 1

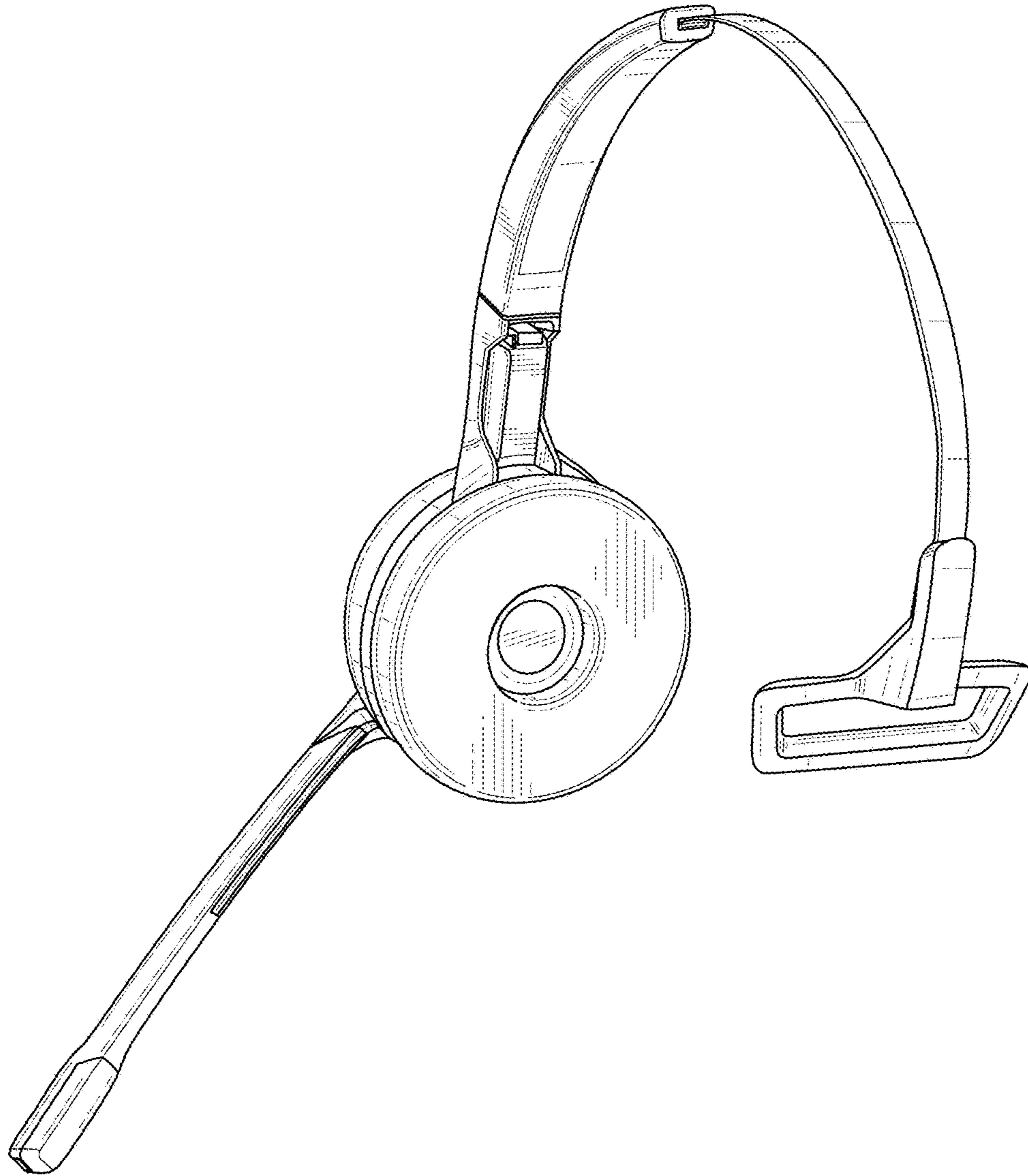


FIG. 2

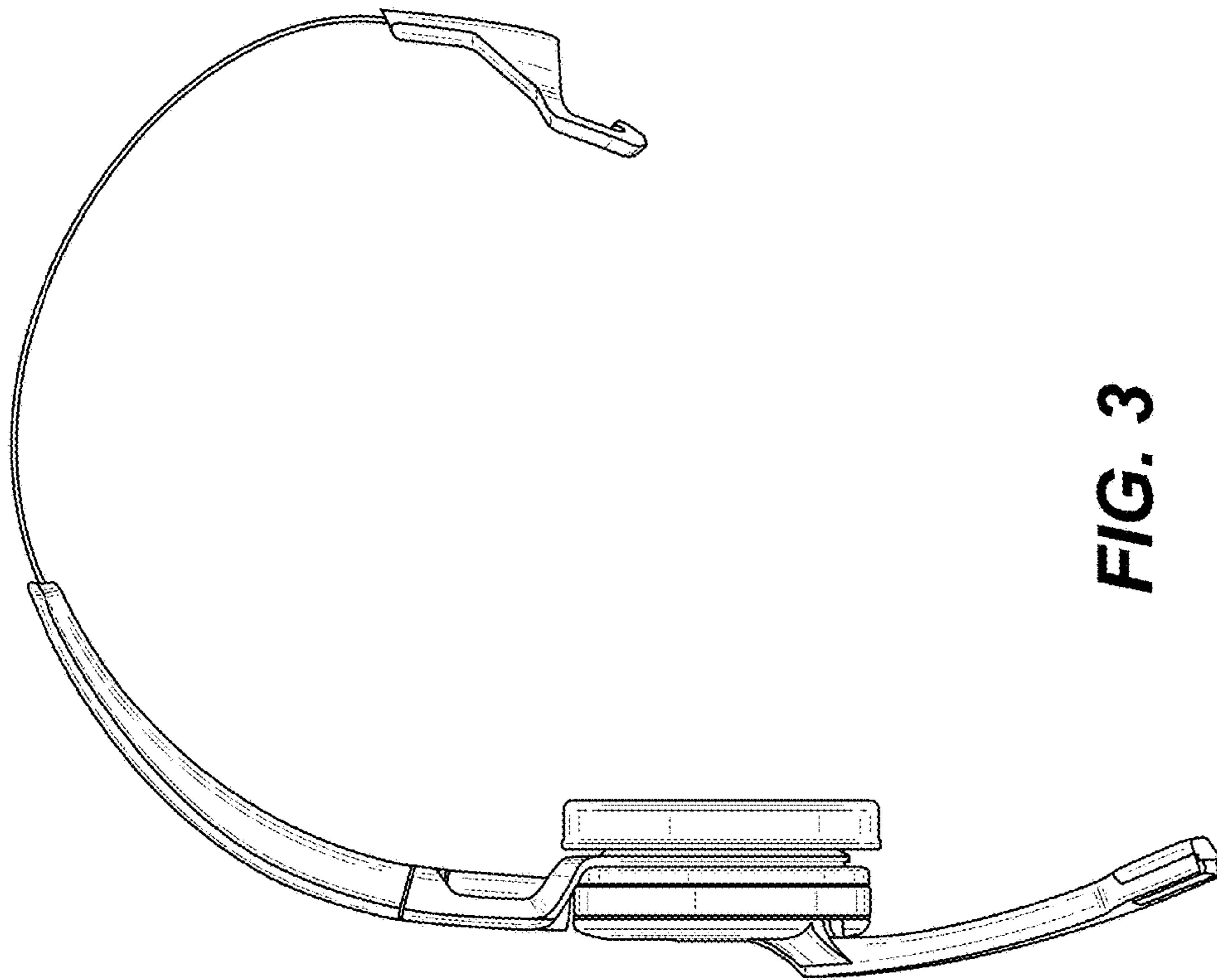


FIG. 3

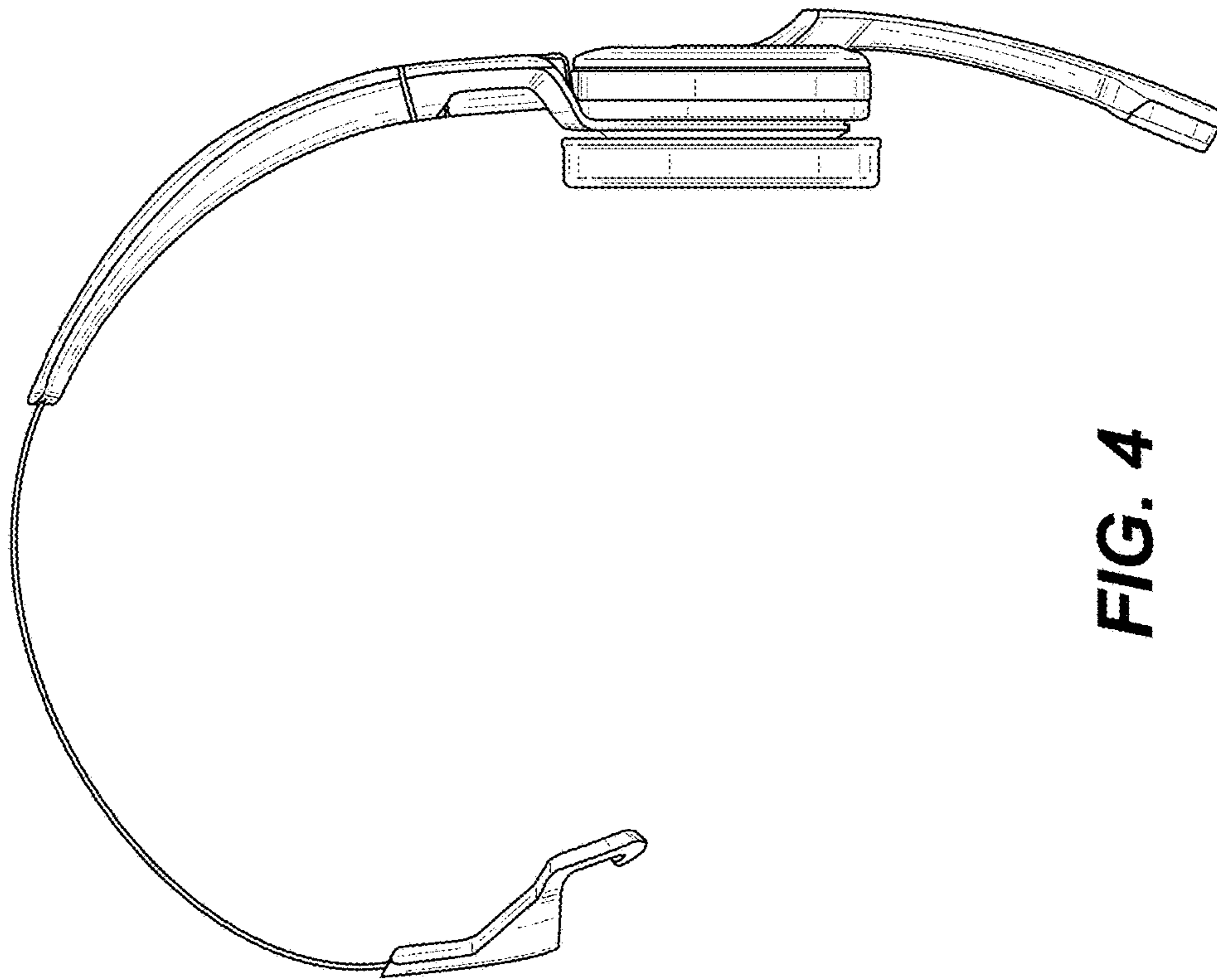


FIG. 4

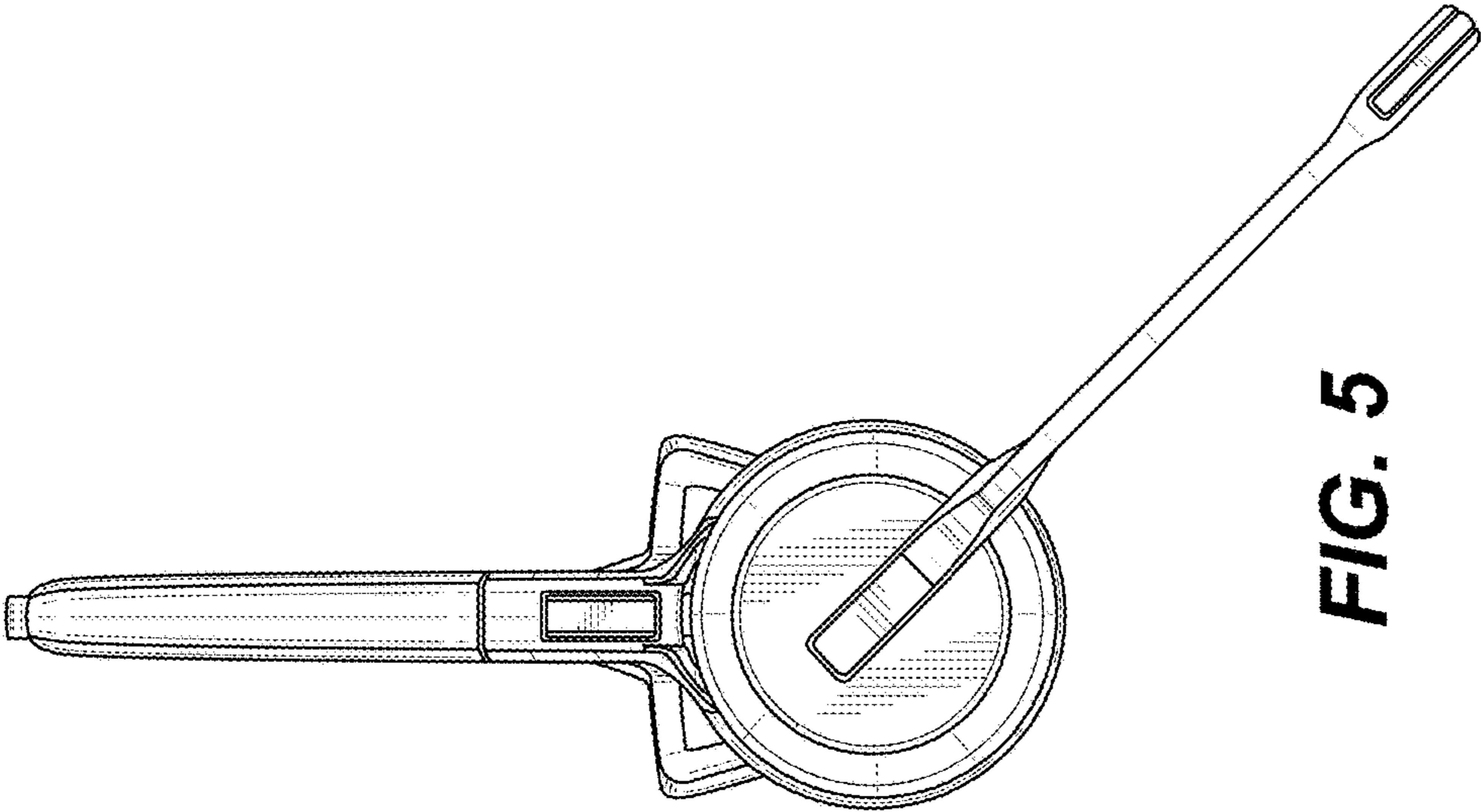


FIG. 5

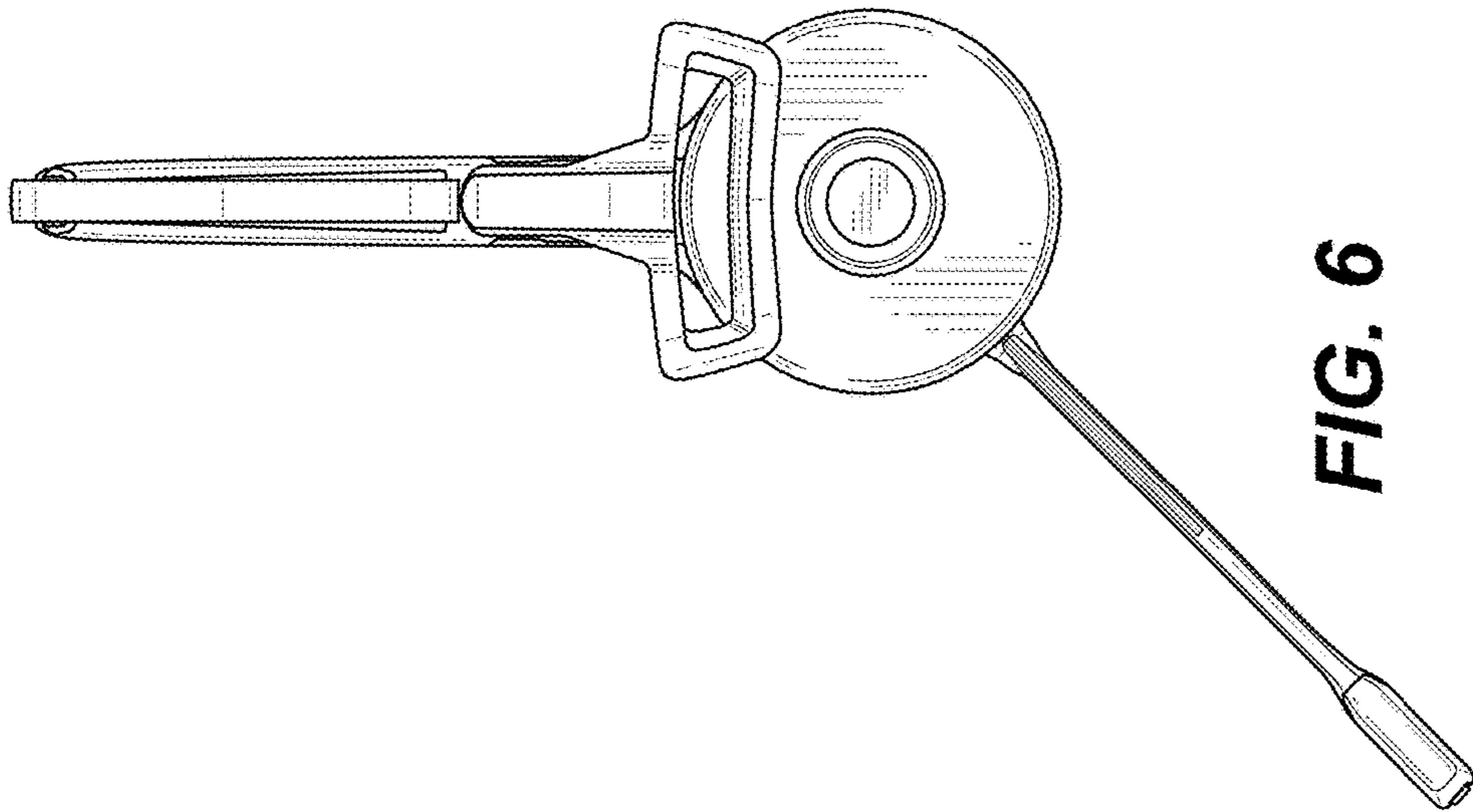


FIG. 6

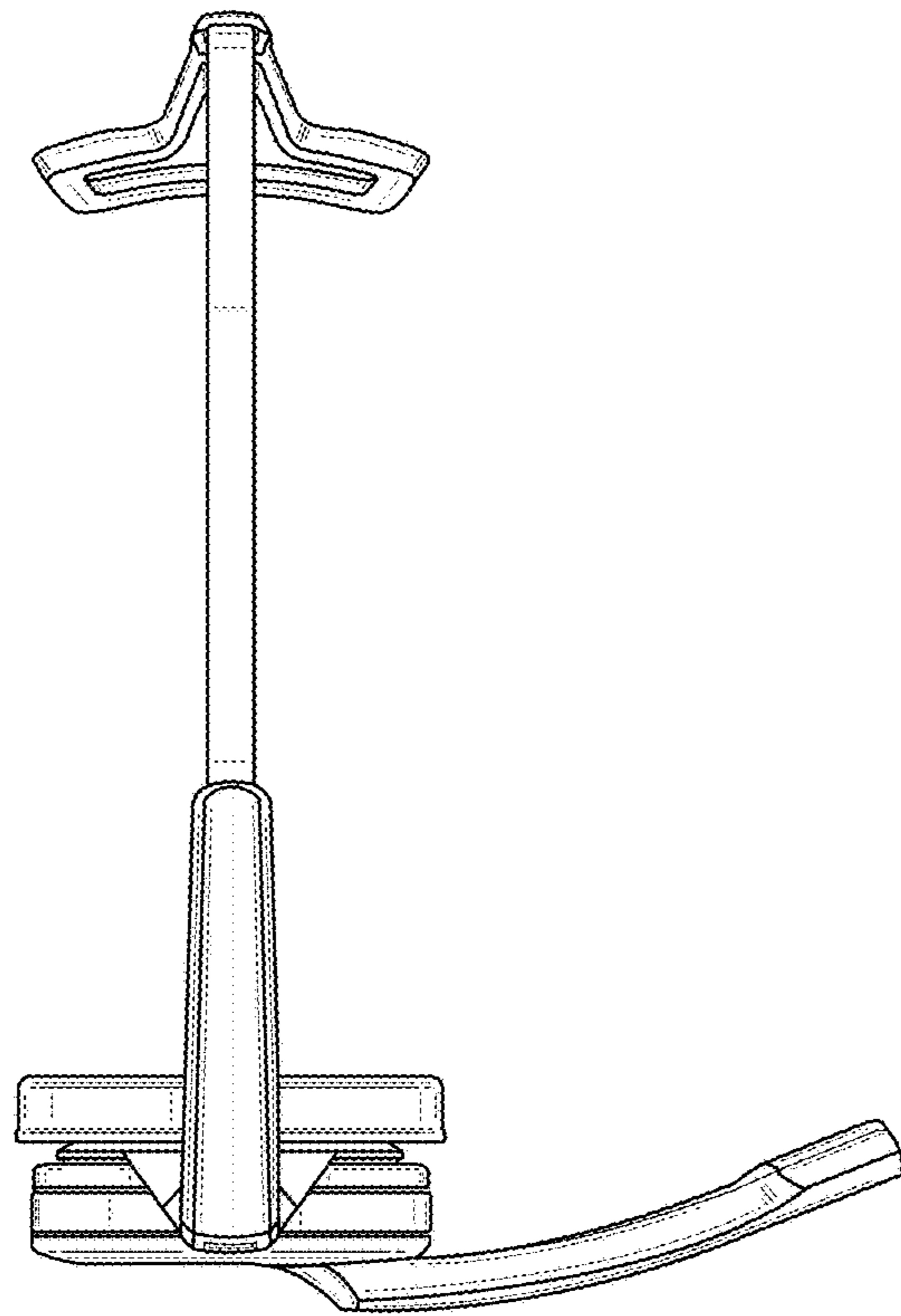


FIG. 7

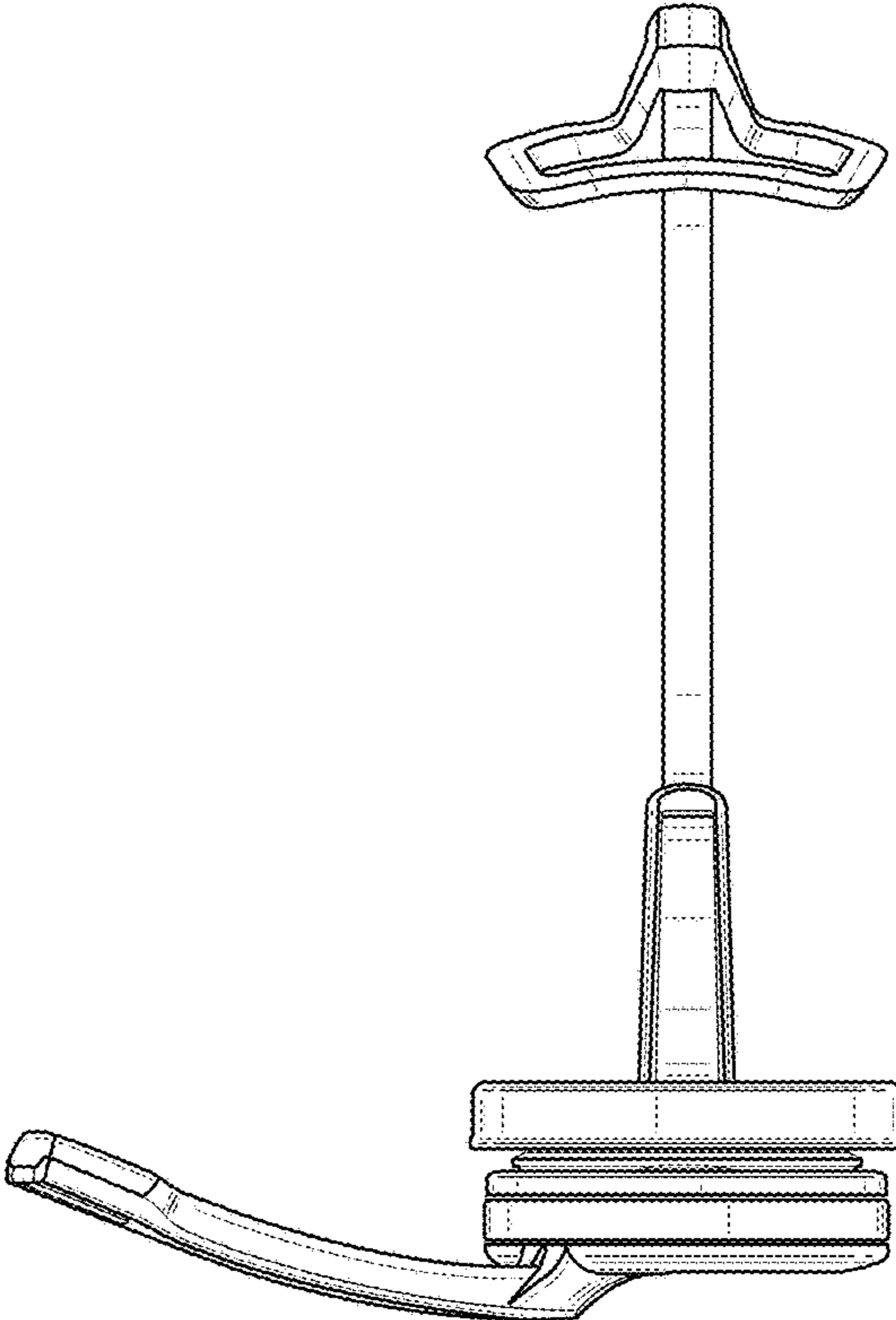


FIG. 8